

[54] **GARDENING IMPLEMENT**
 [75] **Inventor: Walter Kolb, Betzdorf, Fed. Rep. of Germany**
 [73] **Assignee: Wolf-Gerate GmbH, Fed. Rep. of Germany**
 [**] **Term: 14 Years**
 [21] **Appl. No.: 663,461**
 [22] **Filed: Oct. 18, 1984**

1,334,586	3/1920	Baker	D8/7 X
1,468,628	9/1923	Dunbar	D8/11
1,591,280	7/1926	Corr	D8/11
1,719,400	7/1929	Hampson	D8/11
2,040,751	5/1936	Marseilles	D8/13
2,787,204	4/1957	Lechenby	D8/11
3,435,903	4/1969	Sherrod, Jr.	D8/11

FOREIGN PATENT DOCUMENTS

40149	3/1929	Denmark	172/371
964545	5/1957	Fed. Rep. of Germany	172/377
21050	of 1904	United Kingdom	172/371
18468	of 1910	United Kingdom	172/371

Related U.S. Application Data

[62] **Division of Ser. No. 383,155, May 28, 1982, Pat. No. Des. 276,974.**
 [52] **U.S. Cl. D8/11; D8/5**
 [58] **Field of Search D8/1-13; 172/371**

Primary Examiner—Wallace R. Burke
Assistant Examiner—Horace B. Fay
Attorney, Agent, or Firm—Ostrolenk, Faber, Gerb & Soffen

[57] **CLAIM**

The ornamental design for a gardening implement, as shown.

[56] **References Cited**

U.S. PATENT DOCUMENTS

D. 230,127	1/1974	Banner	D8/11
D. 232,515	8/1974	Stack et al.	D8/11
D. 253,807	1/1980	Baylis	D8/11
386,197	7/1888	Hain	D8/11 X
506,336	10/1893	Peddycord	D8/11 X
702,911	6/1902	Barnelle	D8/11
1,039,056	9/1912	Hess	D8/11

DESCRIPTION

FIG. 1 is a top view of a first embodiment of a gardening implement showing my new design;
 FIG. 2 is a bottom view thereof;
 FIG. 3 is a front view thereof;
 FIG. 4 is a rear view thereof;
 FIG. 5 is a left side view thereof;
 FIG. 6 is a right side view thereof.

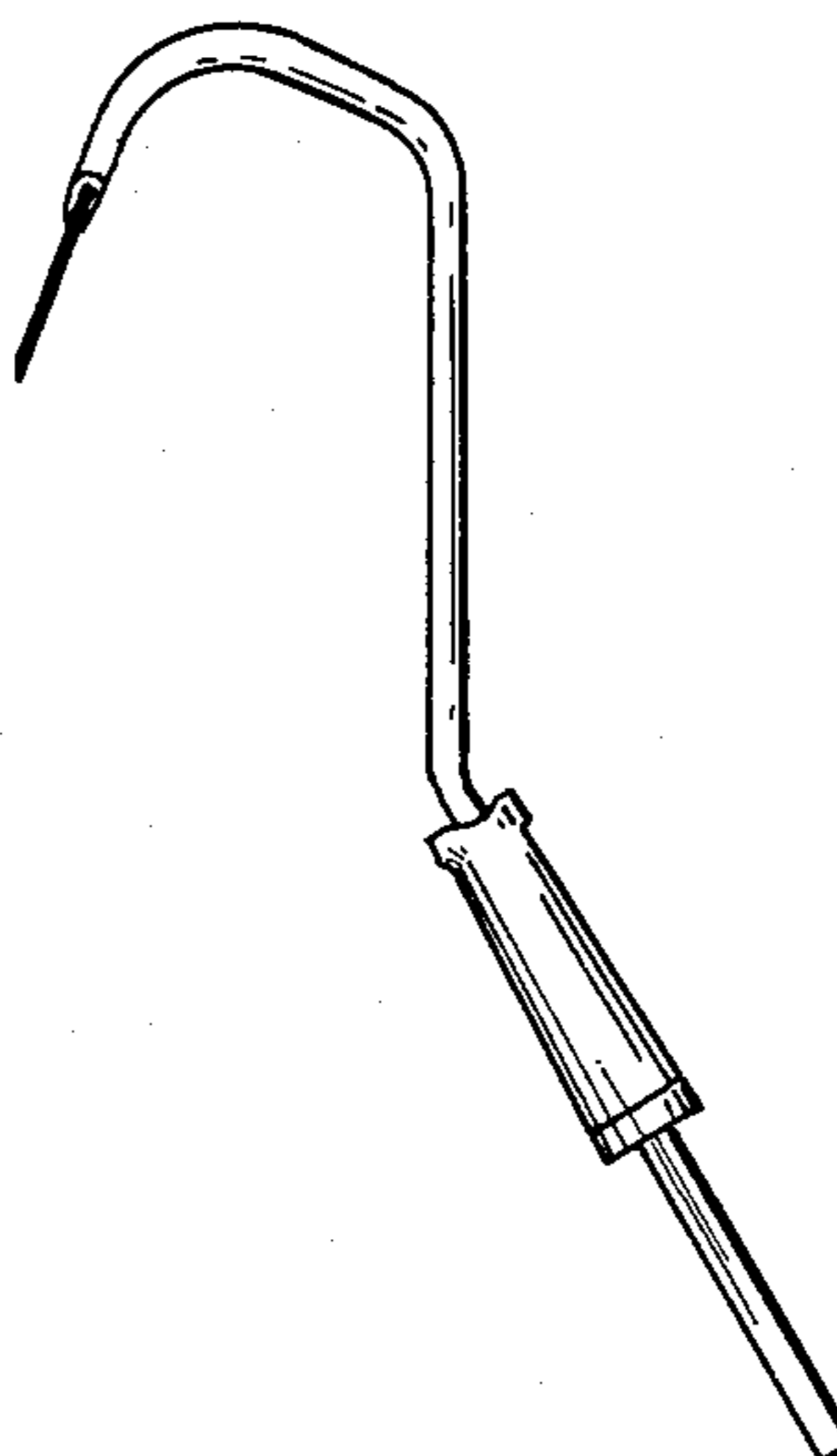
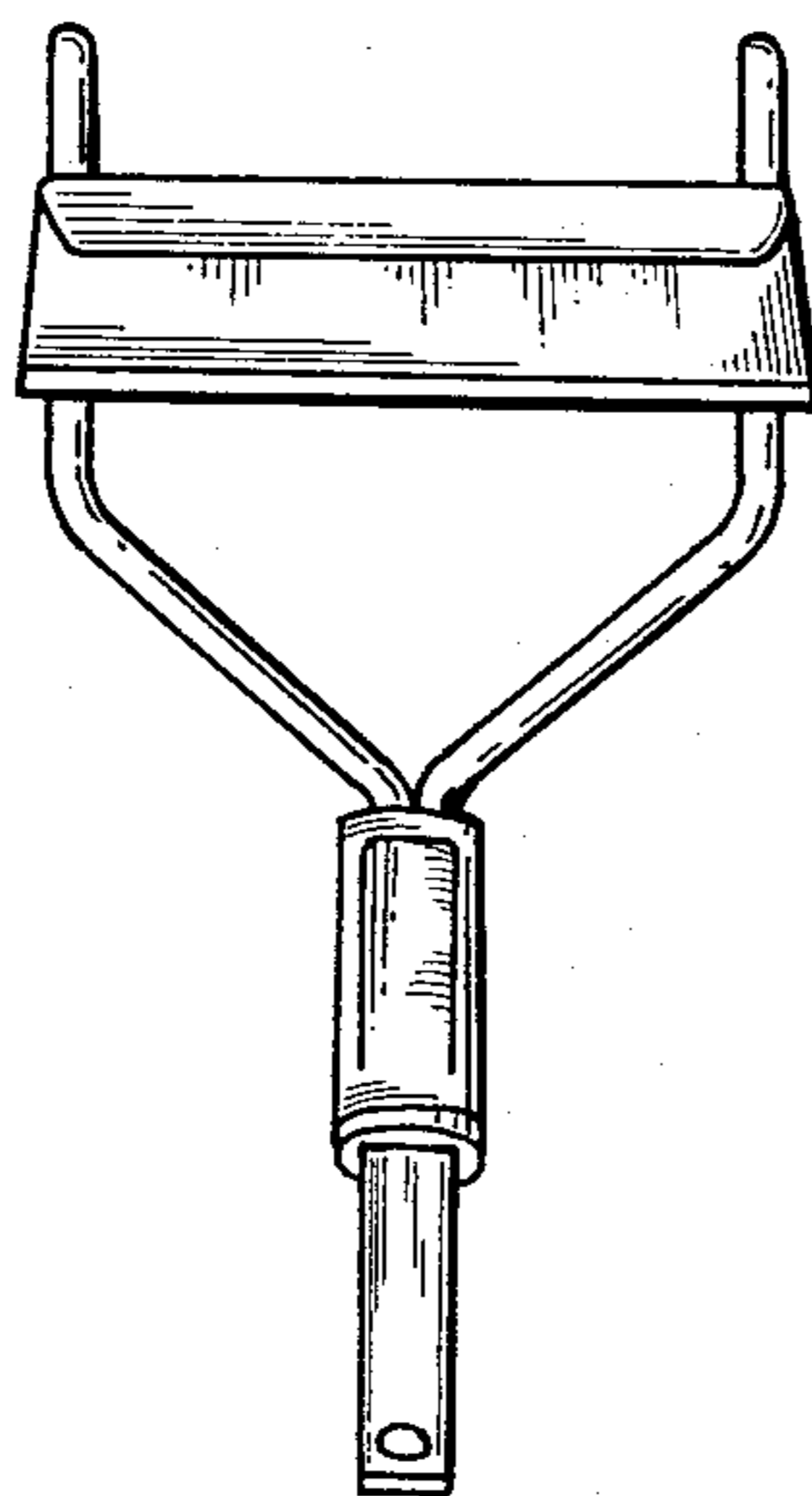


FIG. 1.

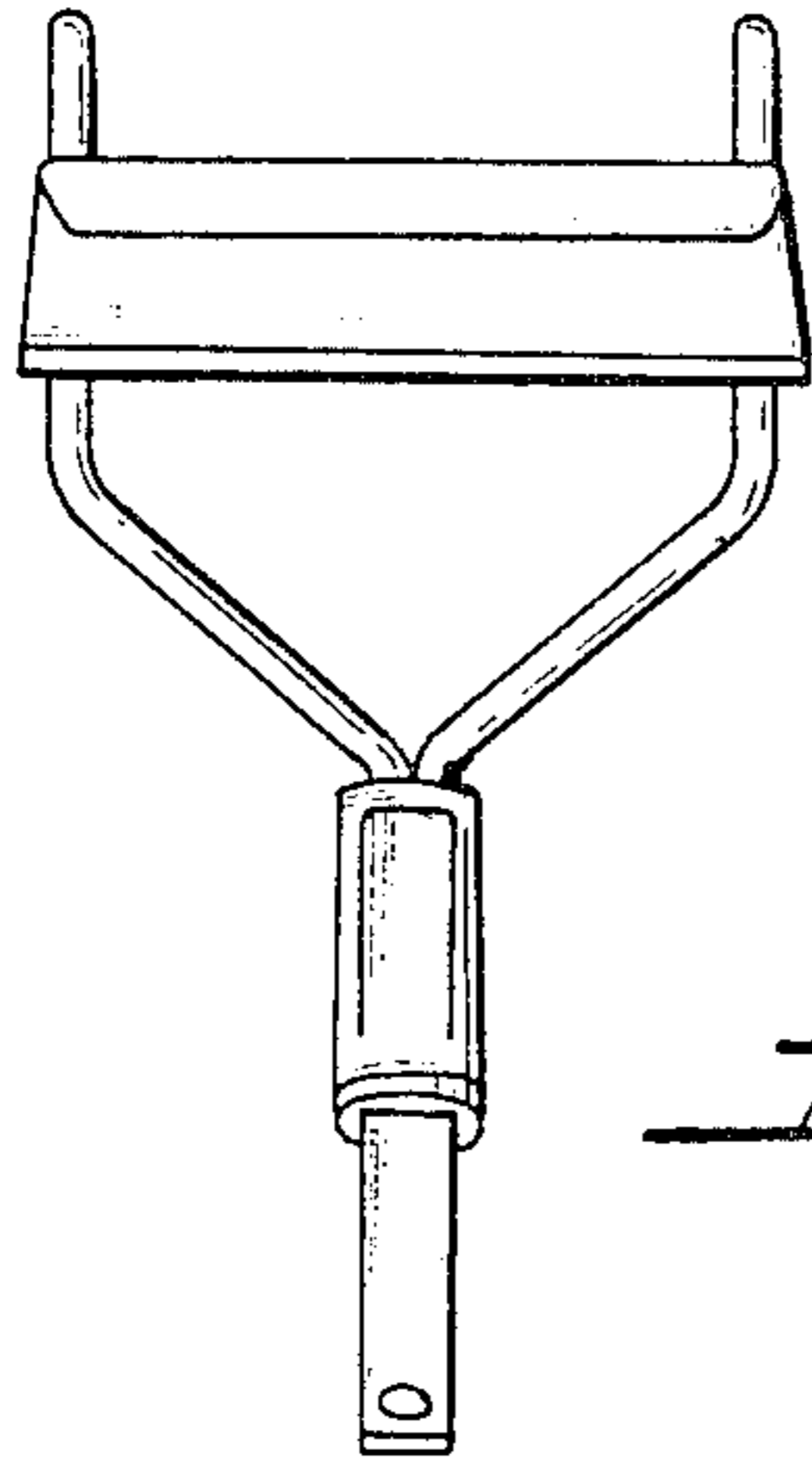
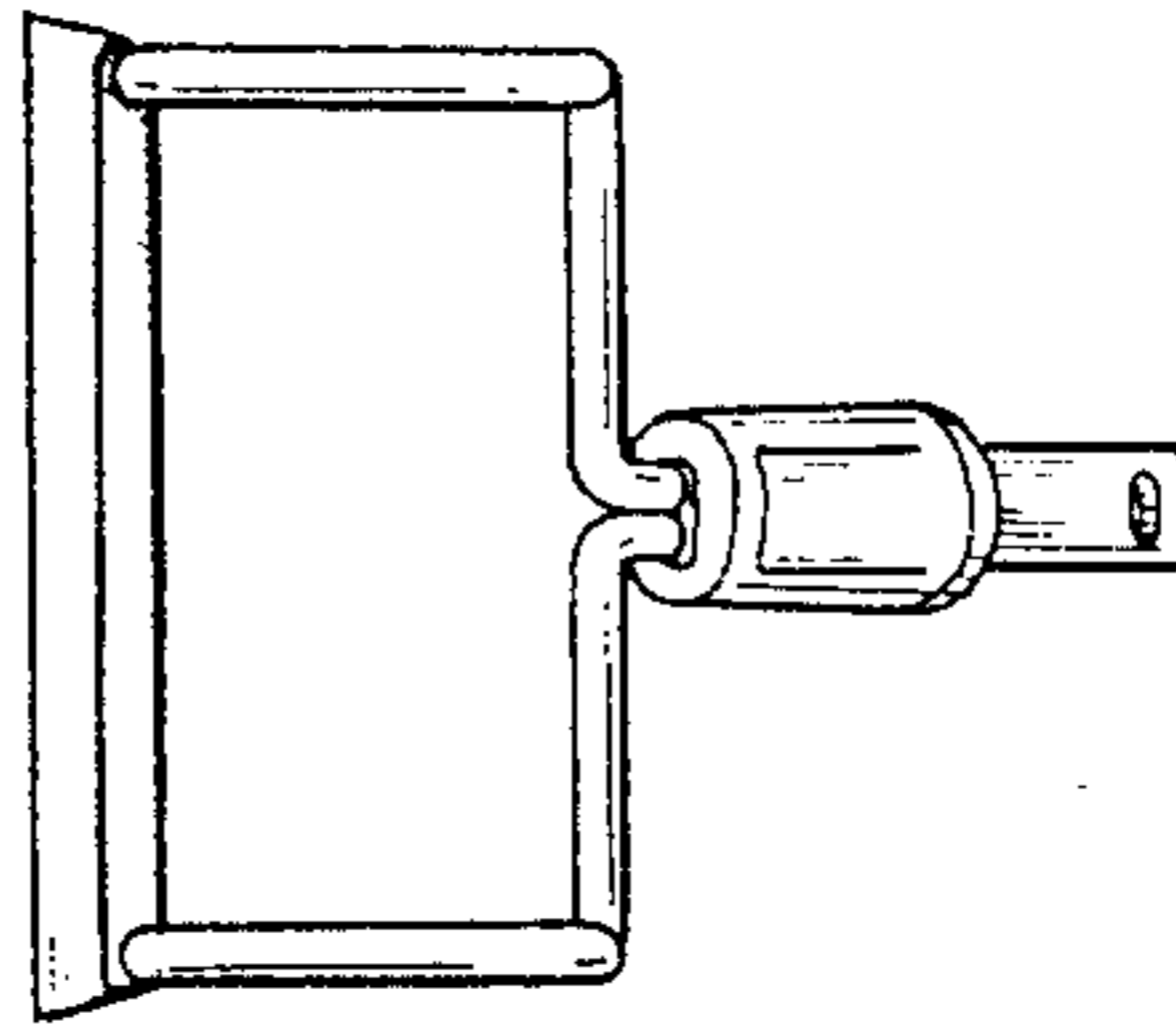


FIG. 3.

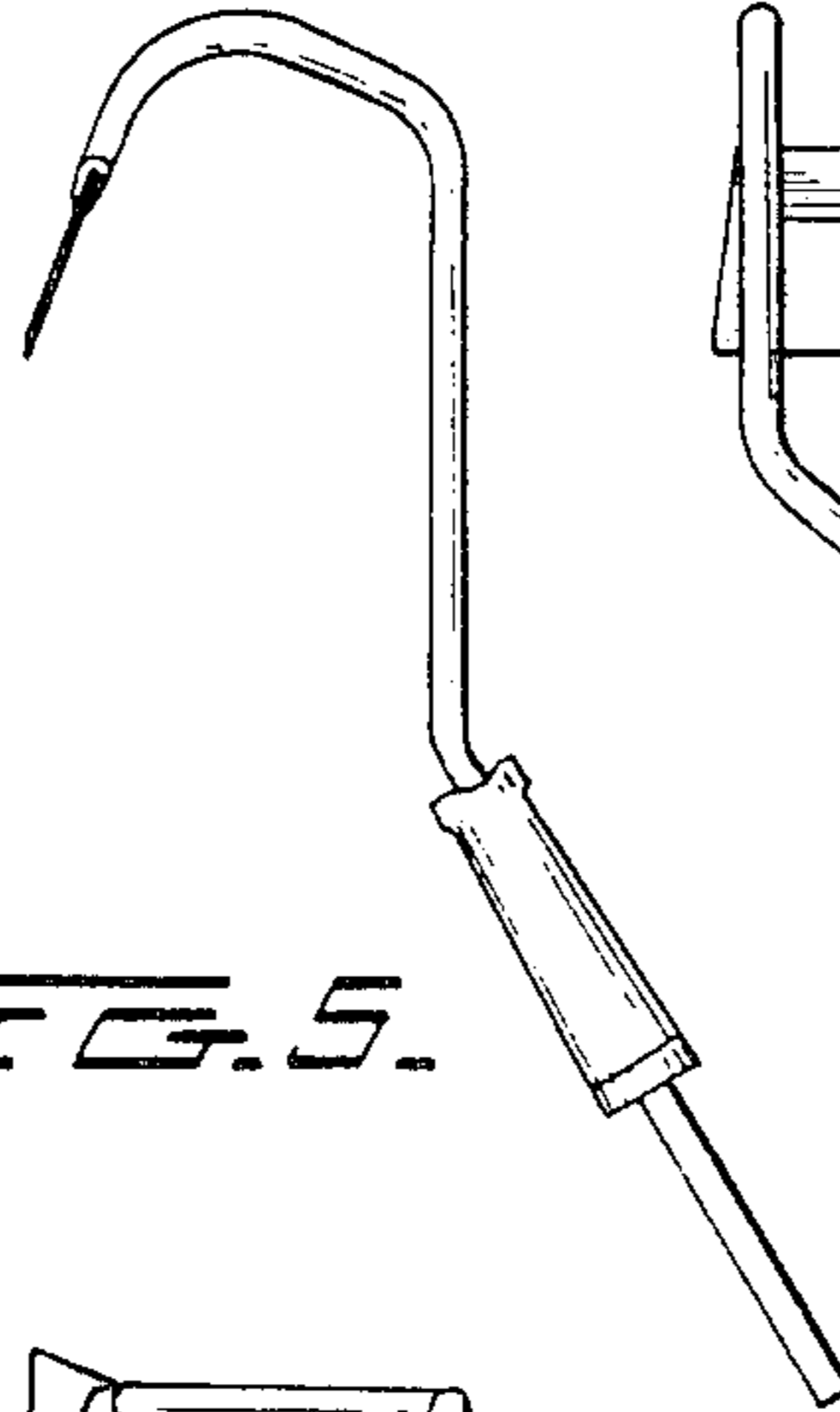


FIG. 5.

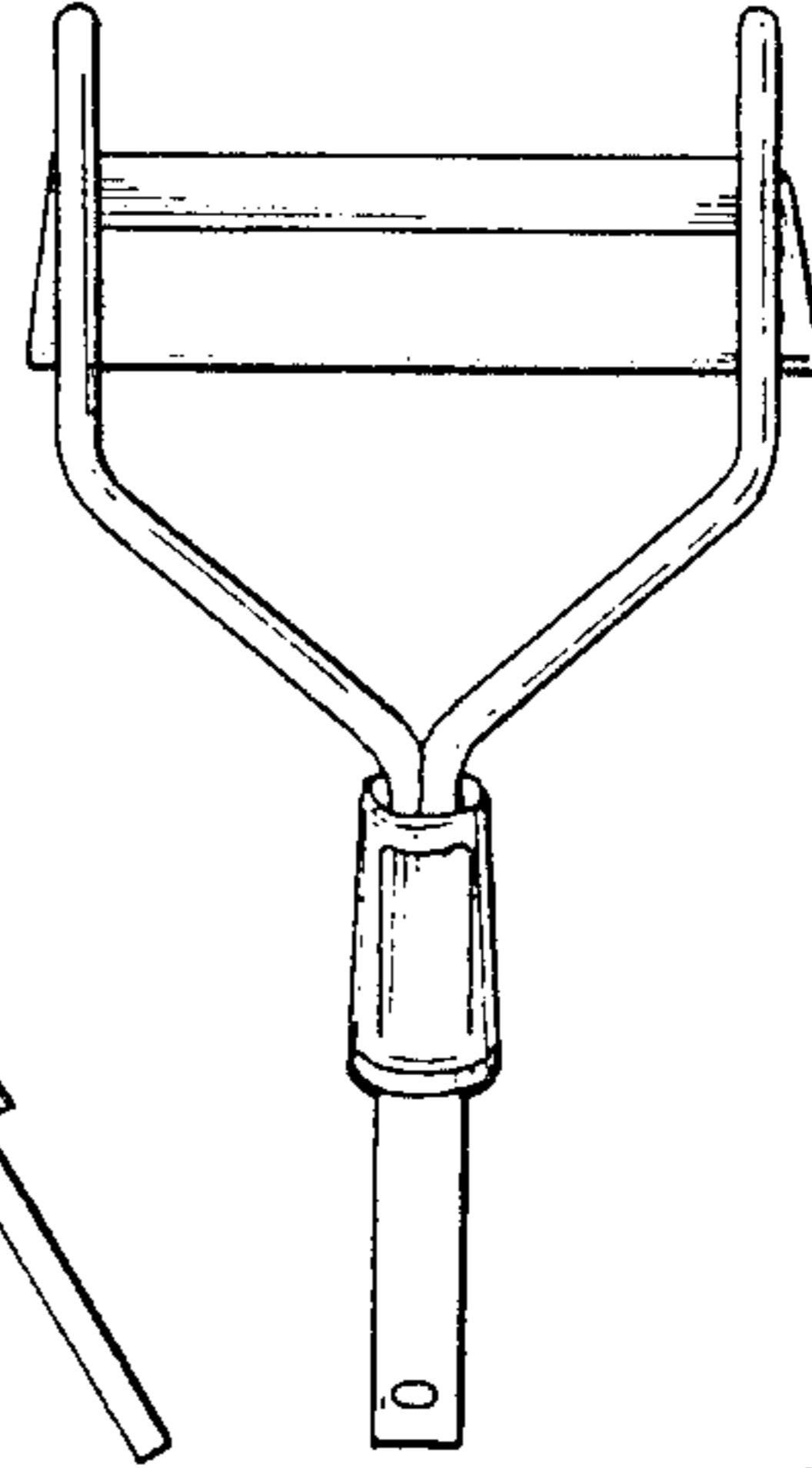


FIG. 4.

FIG. 2.

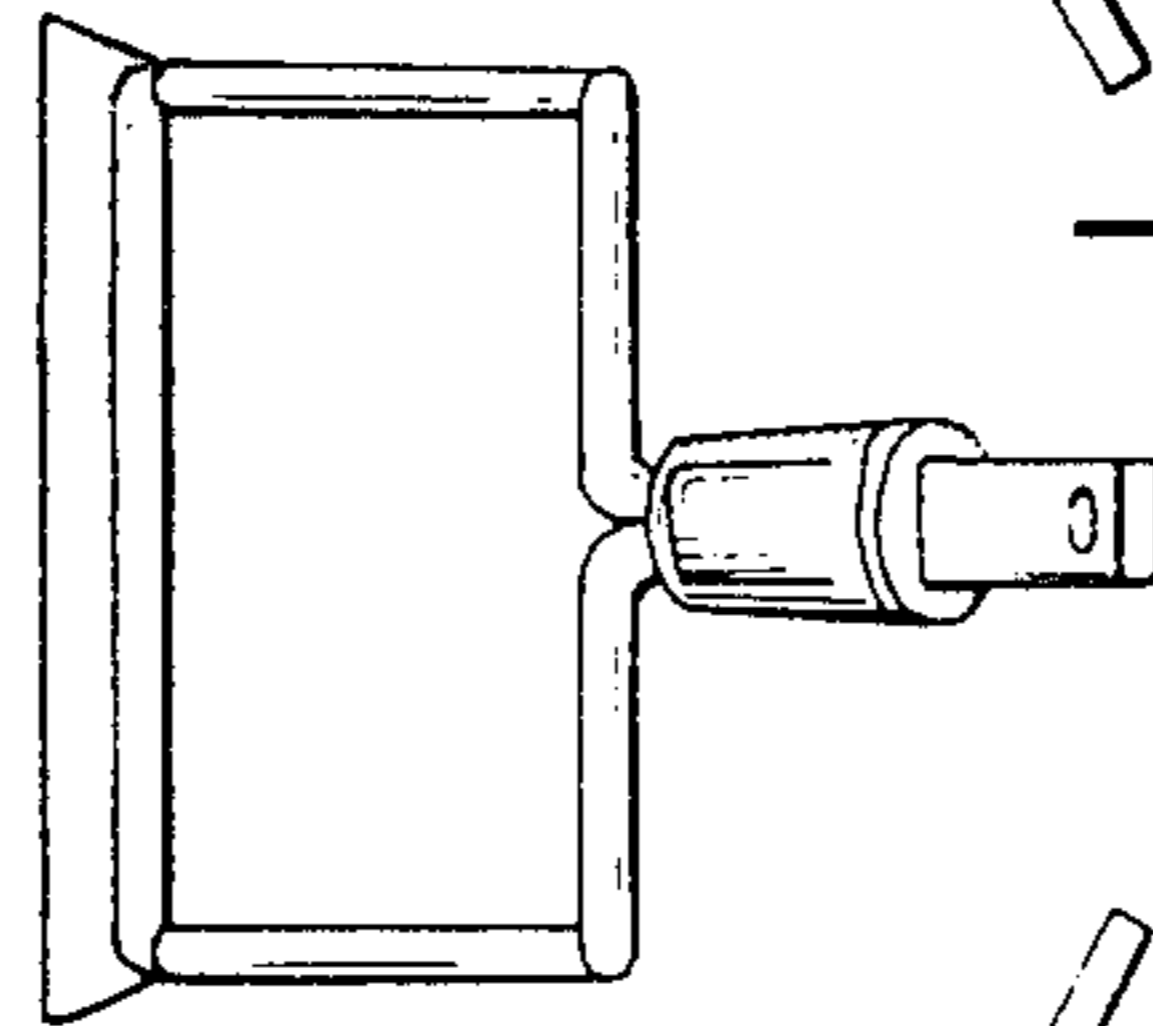


FIG. 6.

