

[54] **APPARATUS FOR POPPING CORN**

[75] Inventor: **William C. Cesaroni**, Glenview, Ill.
[73] Assignee: **Dart Industries Inc.**, Northbrook, Ill.
[**] Term: **14 Years**
[21] Appl. No.: **473,297**
[22] Filed: **Mar. 8, 1983**
[52] U.S. Cl. **D7/325; D7/360**
[58] Field of Search **D7/325, 323, 354, 355,
D7/356, 360; 99/323.5-323.11**

[56] **References Cited**
U.S. PATENT DOCUMENTS

D. 206,674	1/1967	Hughes	D7/325
D. 241,601	9/1976	Cook	D7/325
D. 273,168	3/1984	Bowen et al.	D7/354
3,611,910	10/1971	Hughes	99/323.5
4,149,455	4/1979	Ross	99/323.5
4,332,188	6/1982	Rhear	99/323.5

OTHER PUBLICATIONS

Retailing Home Furnishings, Jul. 11, 1977, Sec. 2, p. 1,
West Bend Corn Popper.

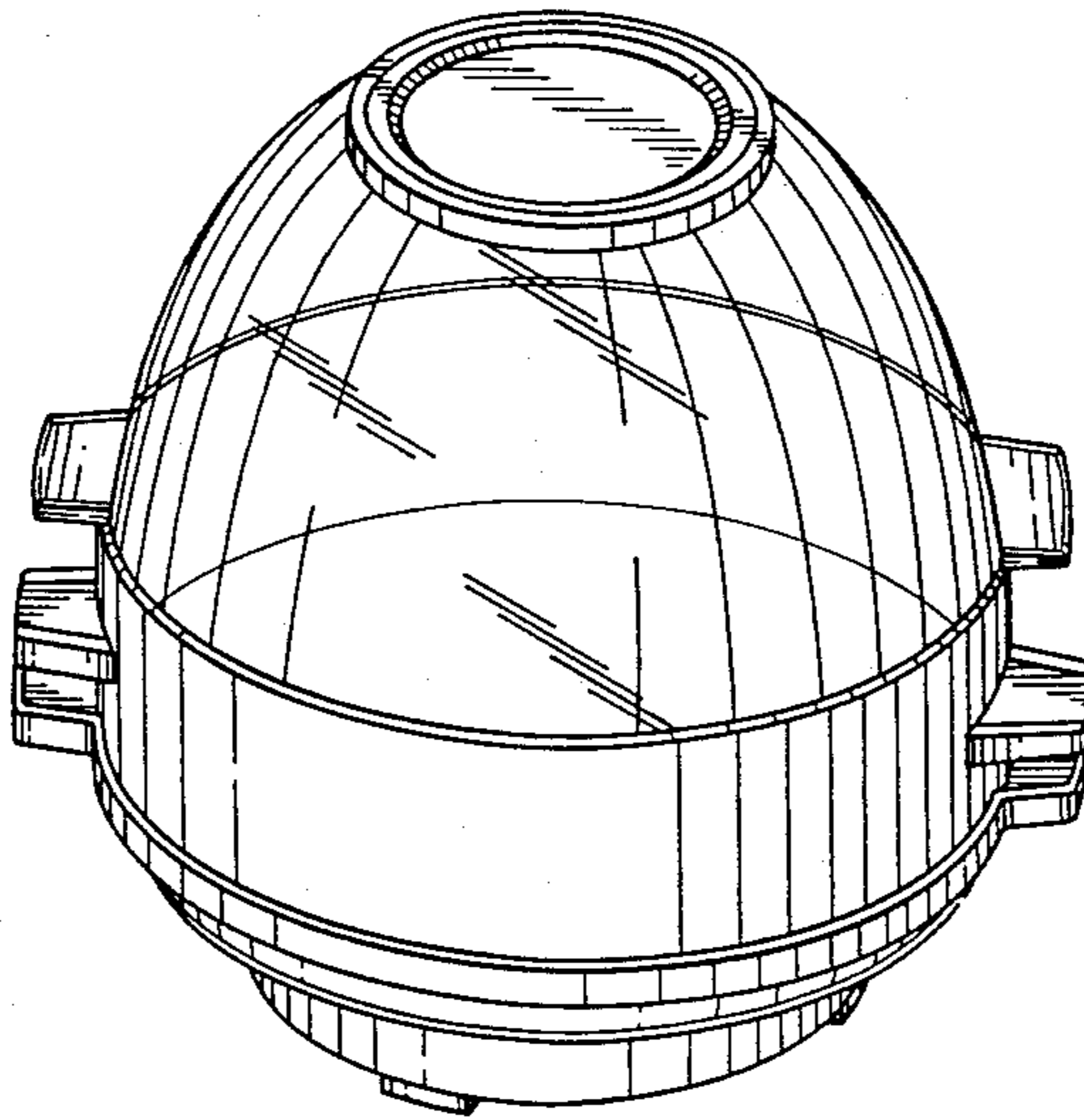
Primary Examiner—Bernard Ansher
Assistant Examiner—Linda Titolo
Attorney, Agent, or Firm—Gregory J. Mancuso

[57] **CLAIM**

The ornamental design for an apparatus for popping corn, substantially as is shown.

DESCRIPTION

FIG. 1 is a front perspective view of the apparatus for popping corn showing my new design; FIG. 2 is a top plan view thereof; FIG. 3 is a front elevational view thereof; FIG. 4 is a right side elevational view thereof; FIG. 5 is a left side elevational view thereof; FIG. 6 is a rear elevational view thereof; and FIG. 7 is a bottom plan view thereof.



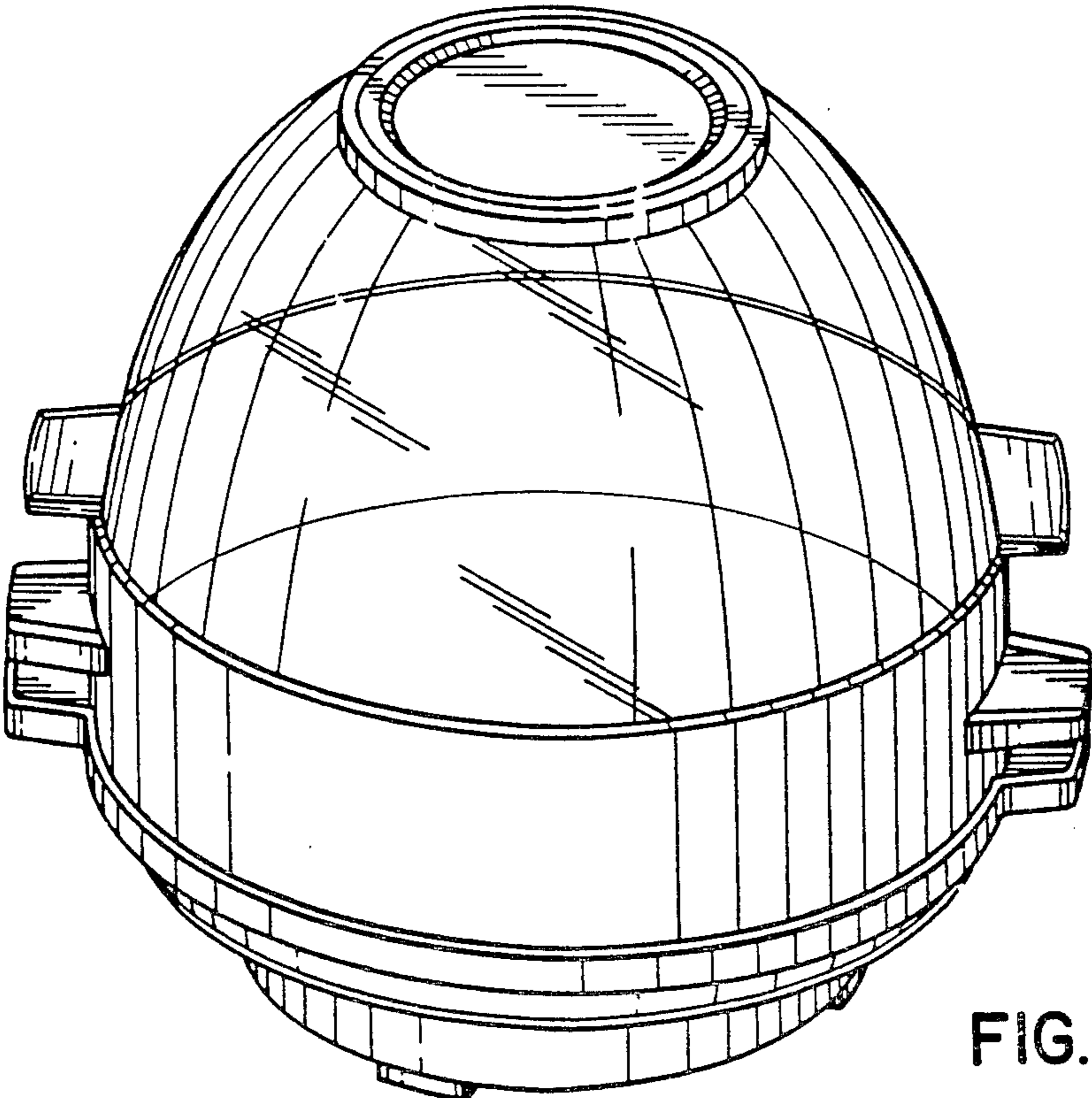


FIG. 1

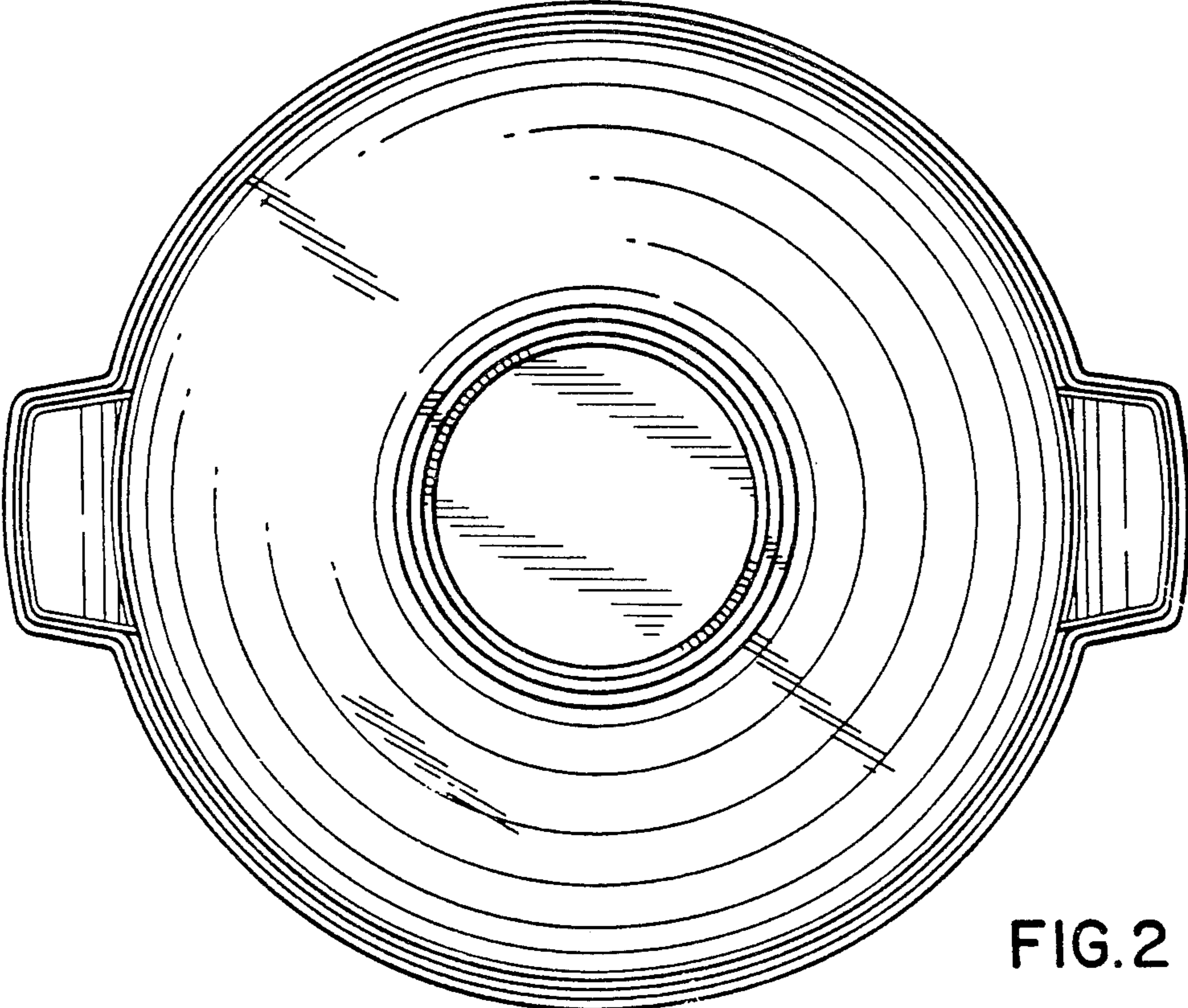


FIG. 2

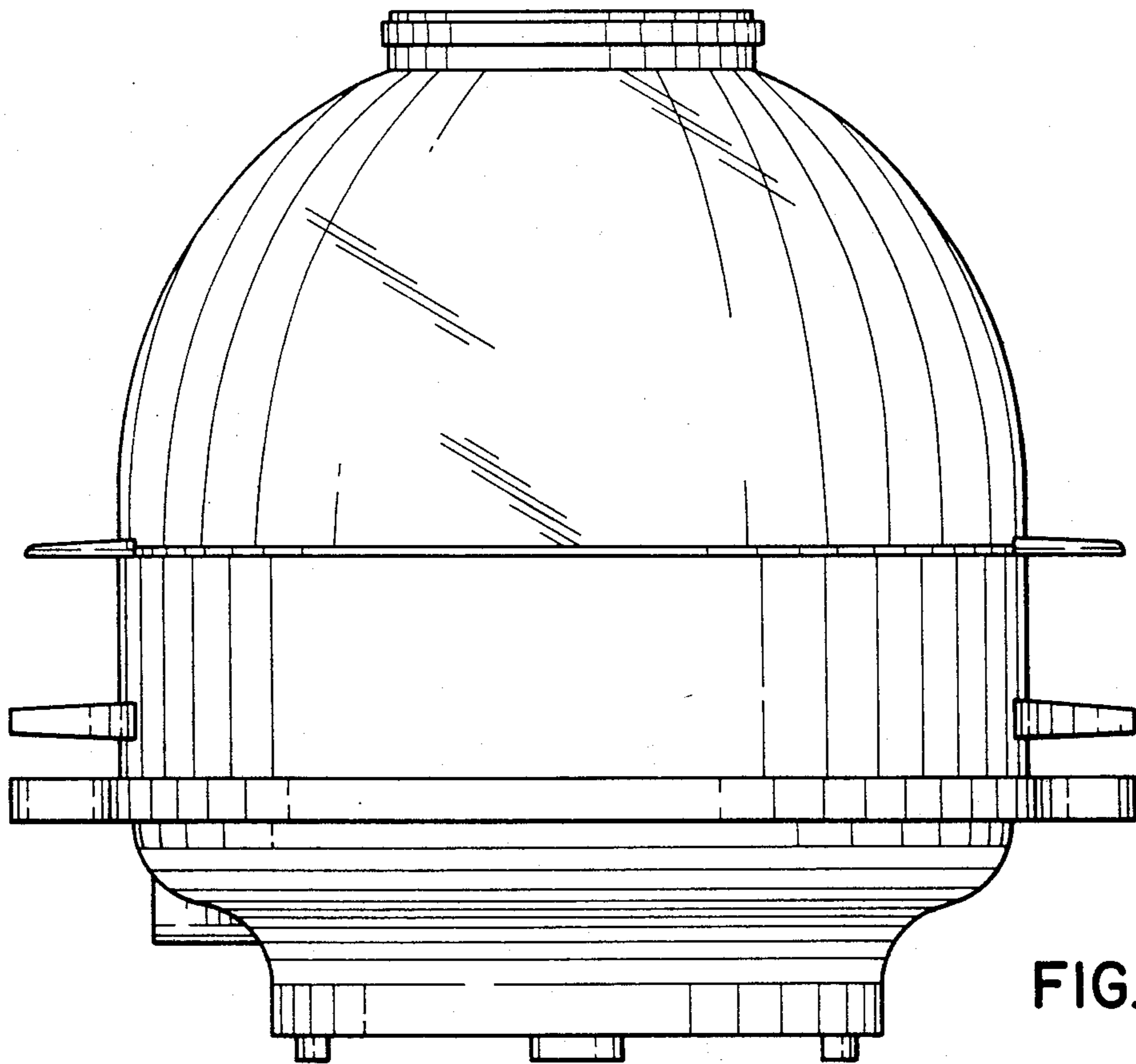


FIG. 3

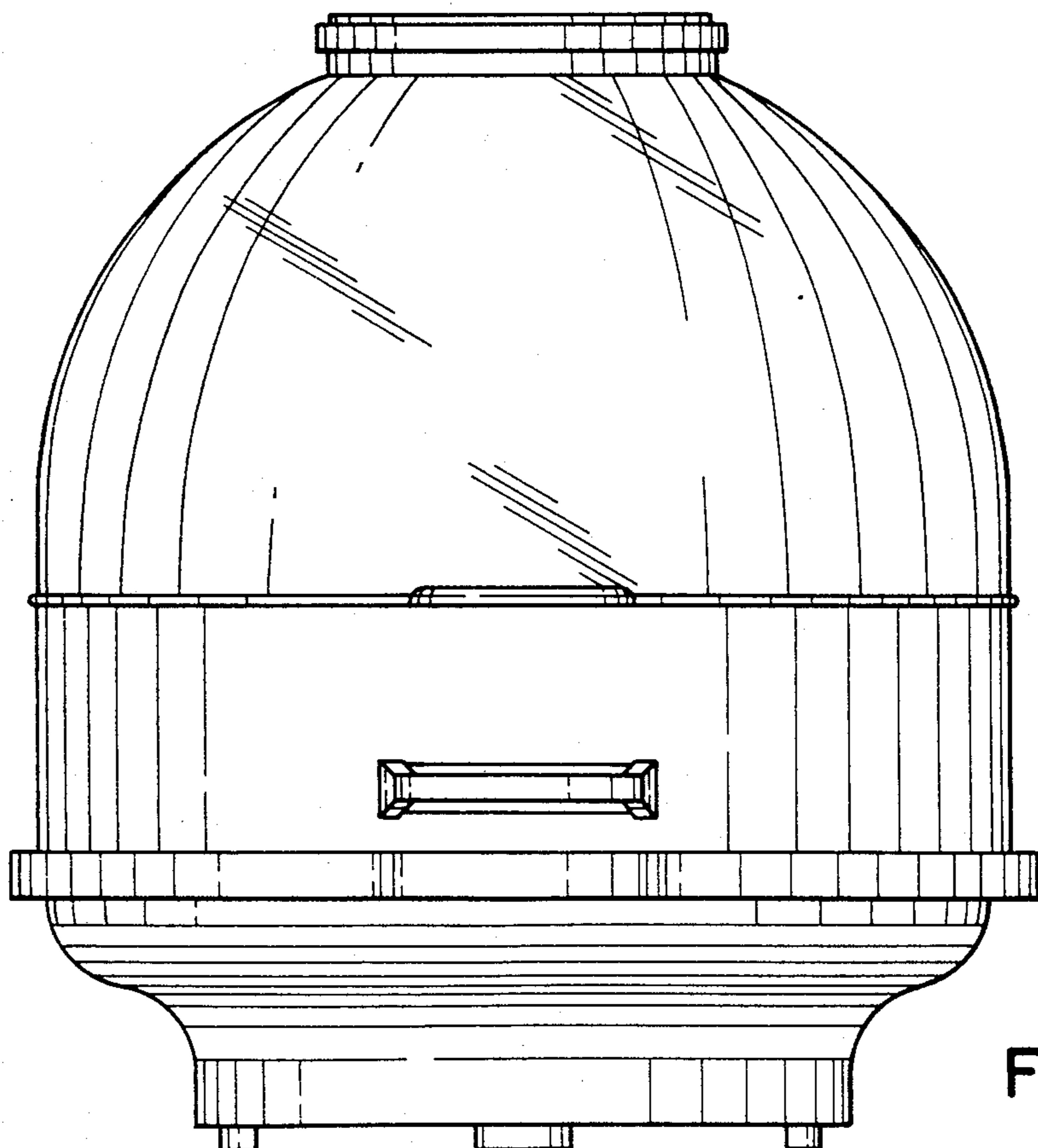


FIG. 4

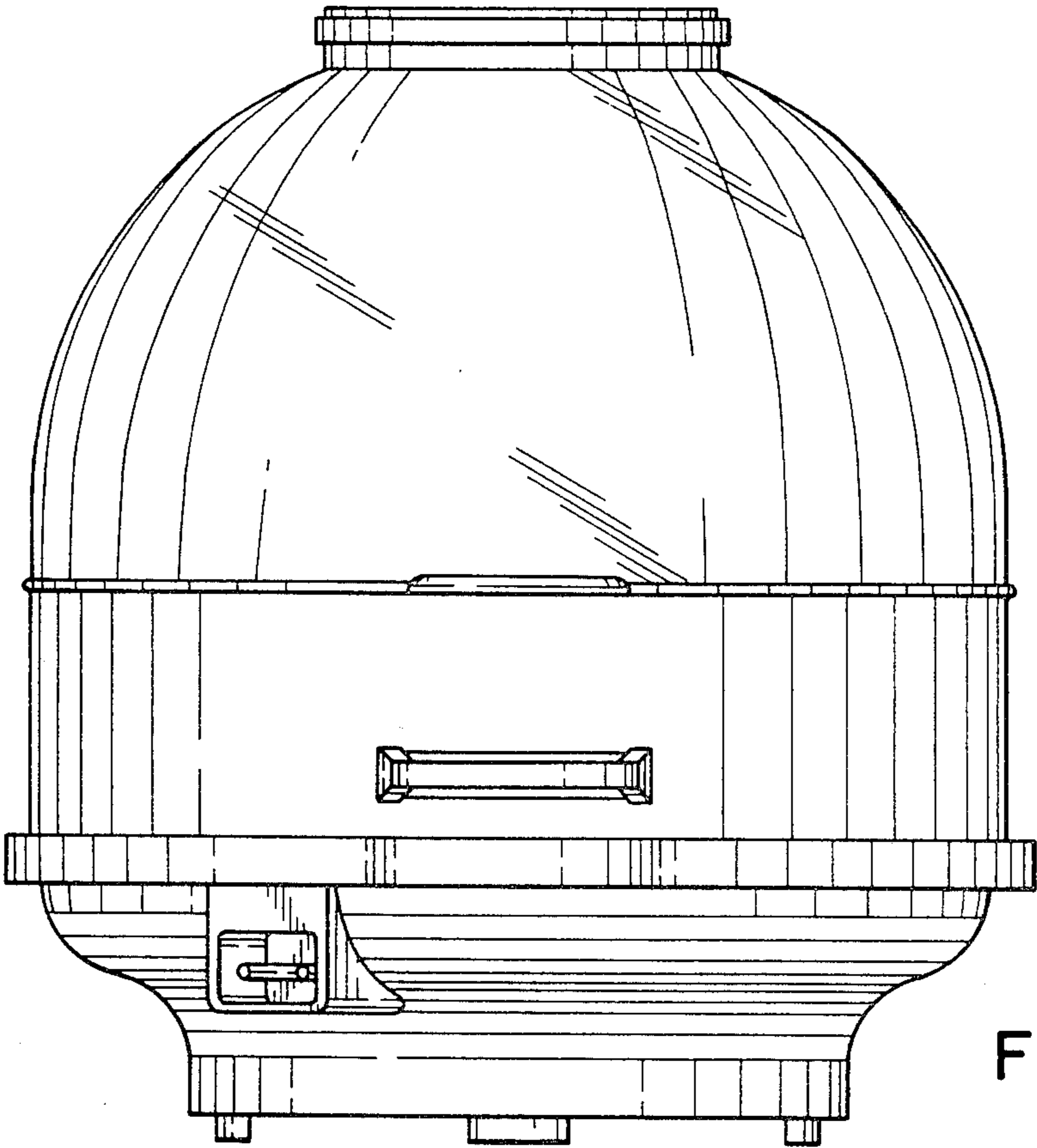


FIG. 5

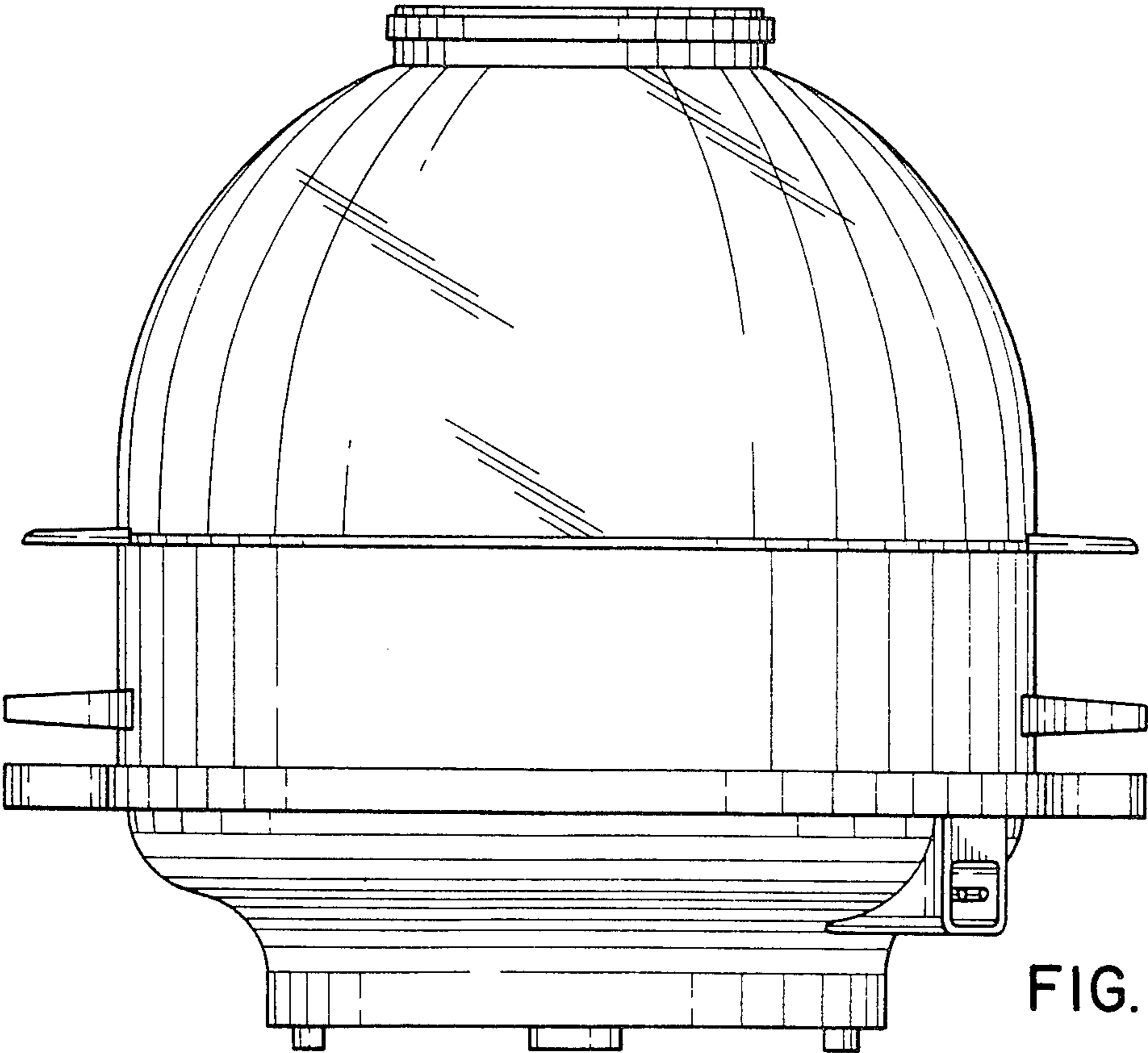


FIG. 6

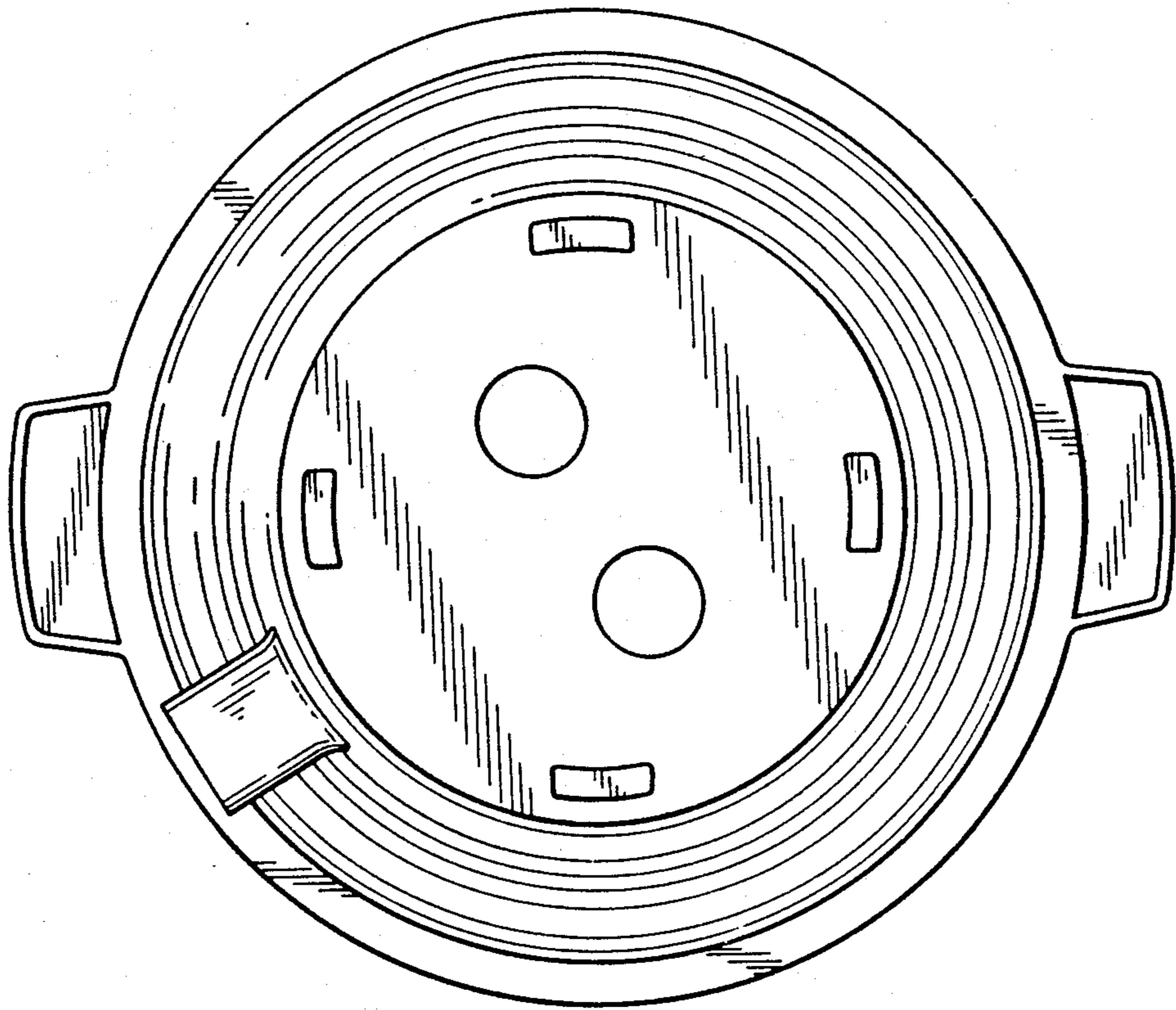


FIG. 7