

United States Patent [19]

Alessandro

[11] Patent Number: **Des. 280,161**

[45] Date of Patent: **** Aug. 20, 1985**

[54] TABLE

[76] Inventor: **Alessandro**, 45 E. 89 St. Suite 10A,
New York, N.Y. 10028

[**] Term: **14 Years**

[21] Appl. No.: **436,148**

[22] Filed: **Oct. 22, 1982**

[52] U.S. Cl. **D6/480; D6/485;**
D6/487

[58] Field of Search **D6/27, 146-149,**
D6/175, 177-179

[56] **References Cited**

U.S. PATENT DOCUMENTS

D. 200,412 2/1965 Carr D6/177

D. 242,005 10/1976 Faber D6/175

OTHER PUBLICATIONS

Tech Furniture Catalog, Mar. 23, 1973, End Table No. MT219C.

Primary Examiner—Bruce W. Dunkins
Attorney, Agent, or Firm—A. Thomas Kammer

[57] **CLAIM**

The ornamental design for a table, as shown.

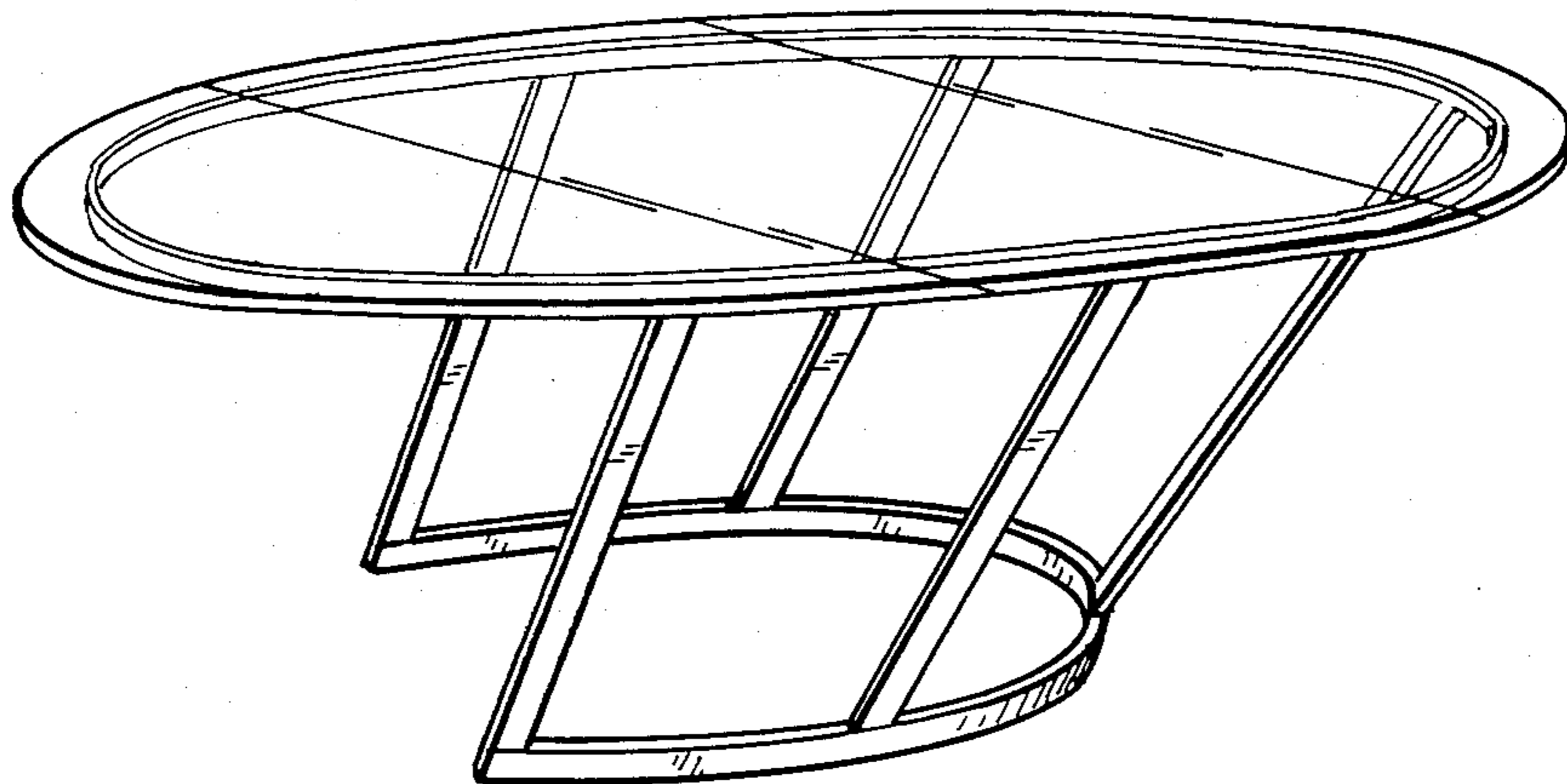
DESCRIPTION

FIG. 1 is a perspective view of a table showing my new design;

FIG. 2 is a rear view thereof;

FIG. 3 is a top view thereof; and

FIG. 4 is a side view thereof.



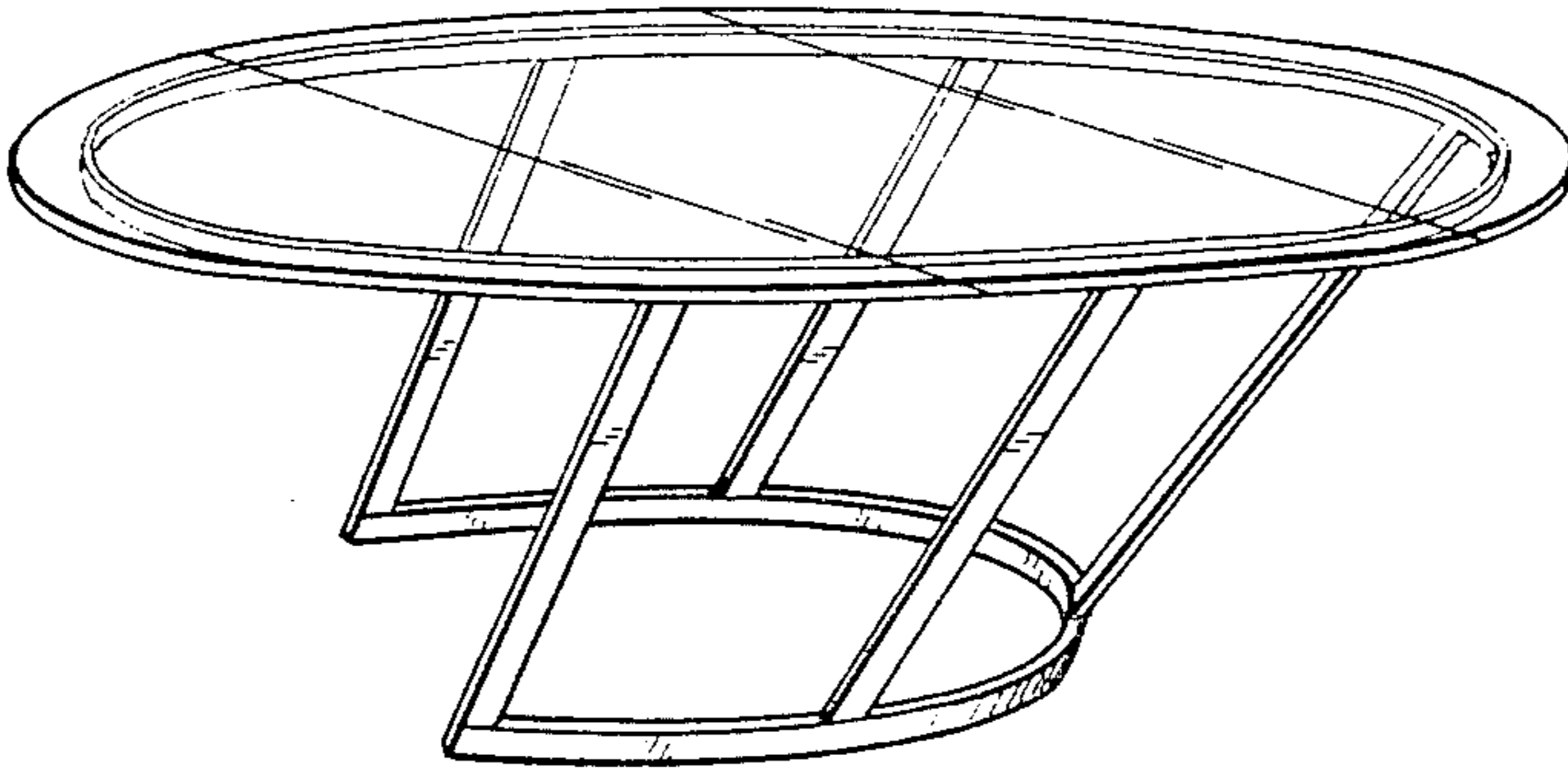


FIG. 1

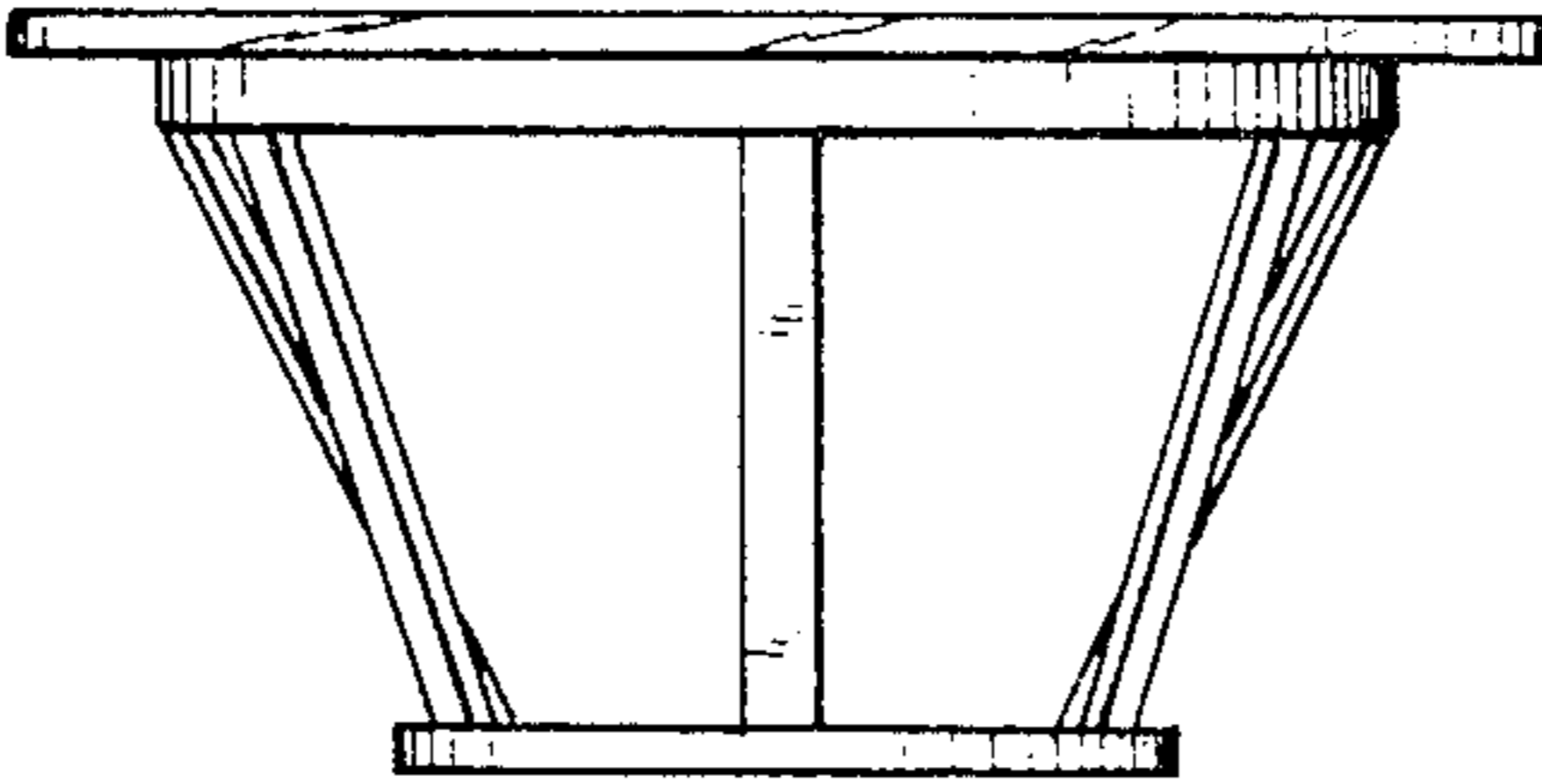


FIG. 2

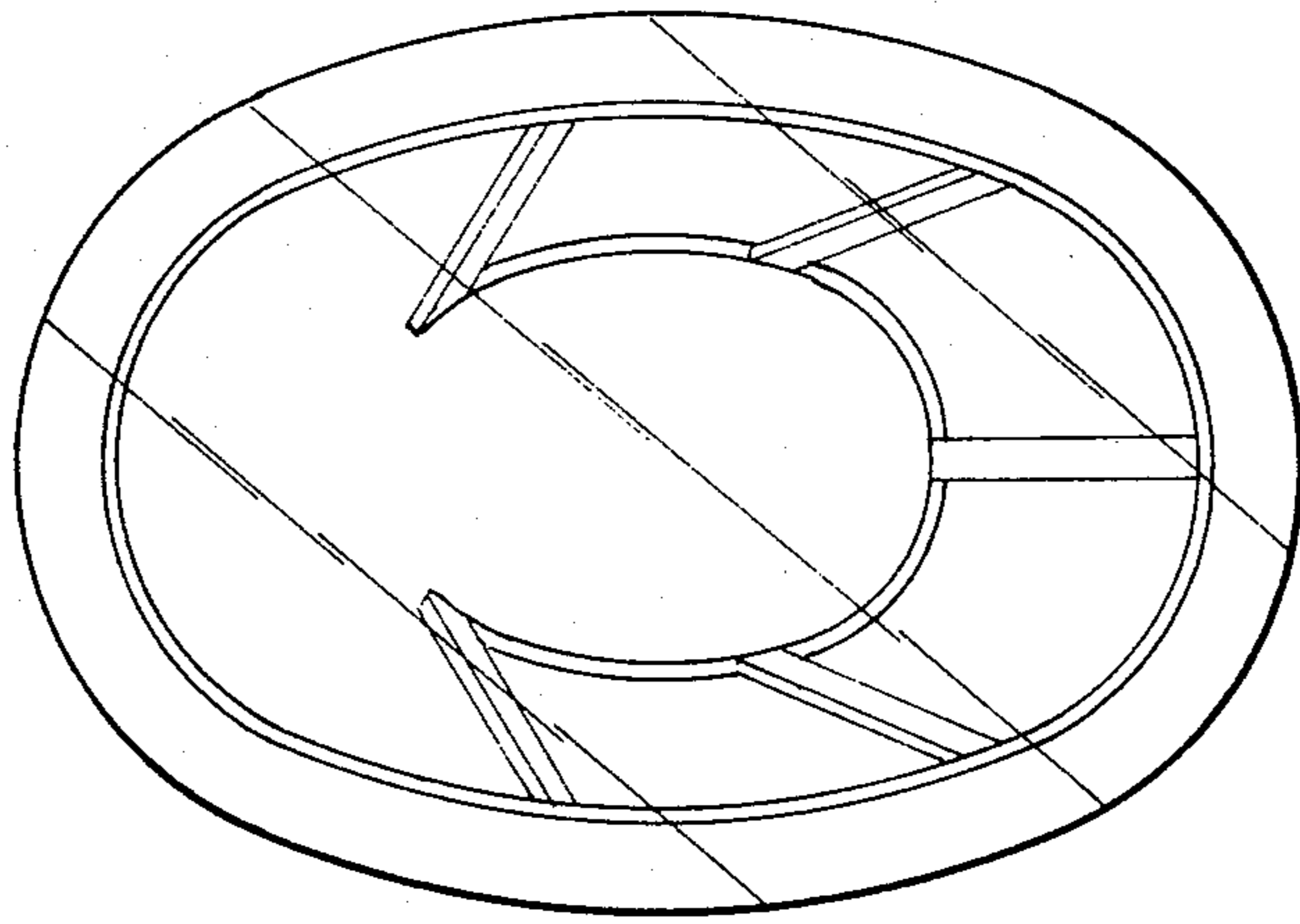


FIG. 3

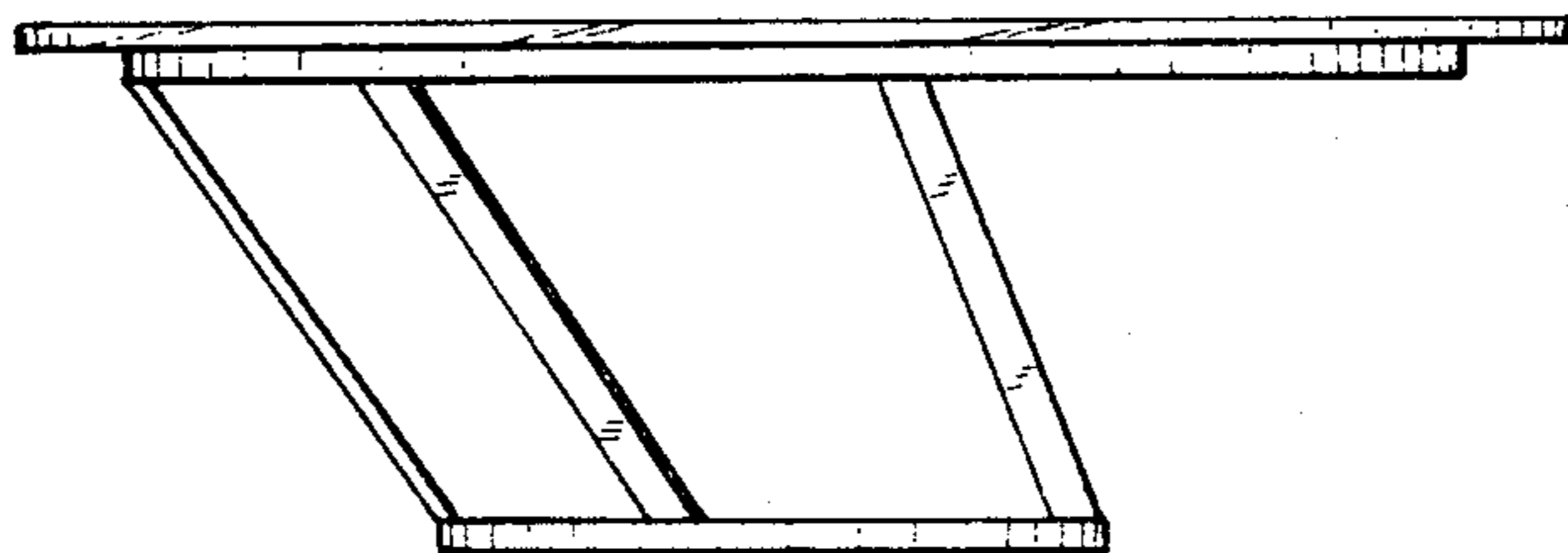


FIG. 4