

[54] COMBINED BED AND HEADBOARD LAMP

[75] Inventor: Jan H. Matthias, Beverly Hills, Calif.

[73] Assignee: Casa Bella Imports, Inc., Miami, Fla.

[\*\*] Term: 14 Years

[21] Appl. No.: 394,655

[22] Filed: Jul. 2, 1982

[52] U.S. Cl. .... D6/383; D6/393; D6/505

[58] Field of Search ..... D6/79, 80, 83, 163, D6/165, 166, 198, 383, 393, 505; 5/2 R, 308

[56] References-Cited

U.S. PATENT DOCUMENTS

- D. 178,939 10/1956 Van Koert ..... D6/80
- D. 181,771 12/1957 Wilson ..... D6/79 X
- D. 240,474 7/1976 Pawlak ..... D6/80 X

OTHER PUBLICATIONS

*Home Furnishings Daily*, 12-27-73, p. 7, Elkin Industries Bed.

*Furniture World*, 1-77, p. 104.

*Primary Examiner*—Jane E. Corrigan  
*Attorney, Agent, or Firm*—Spensley, Horn, Jubas & Lubitz

[57] CLAIM

The ornamental design for a combined bed and headboard lamp, substantially as shown.

DESCRIPTION

FIG. 1 is a front, top and right side perspective view of a combined bed and headboard lamp showing my new design;

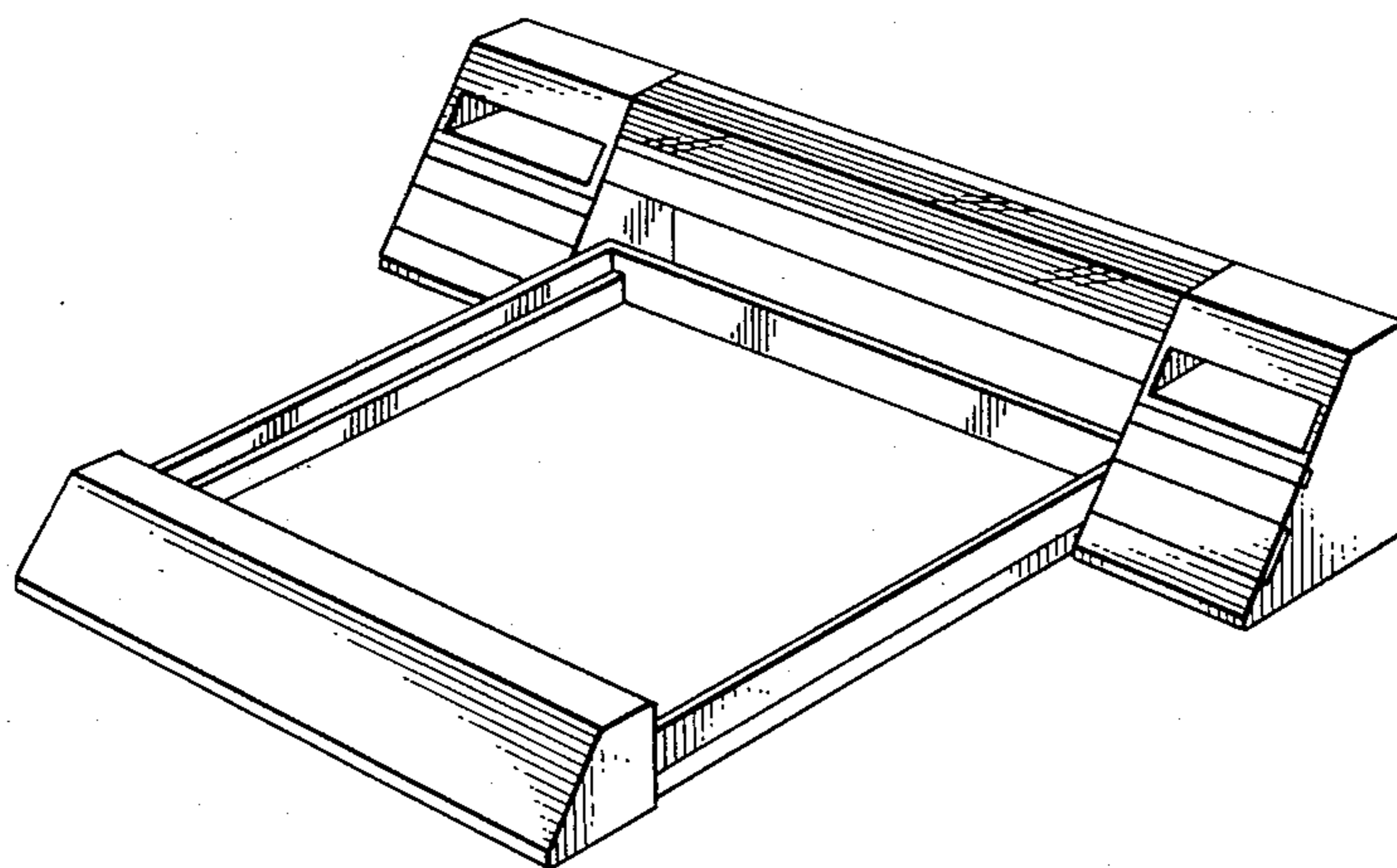
FIG. 2 is a front elevational view;

FIG. 3 is a top plan view;

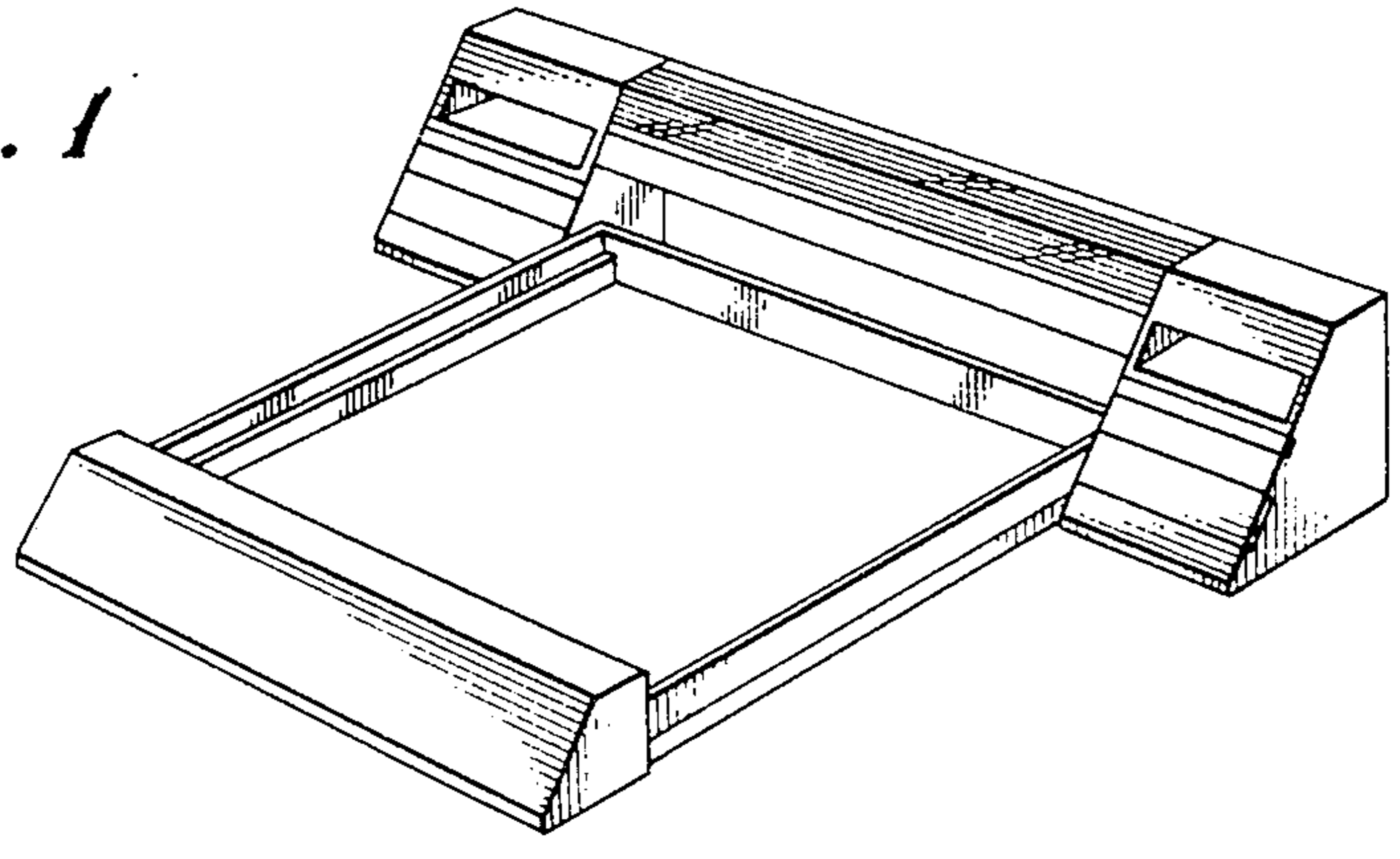
FIG. 4 is a left side elevational view;

FIG. 5 is a rear elevational view; and

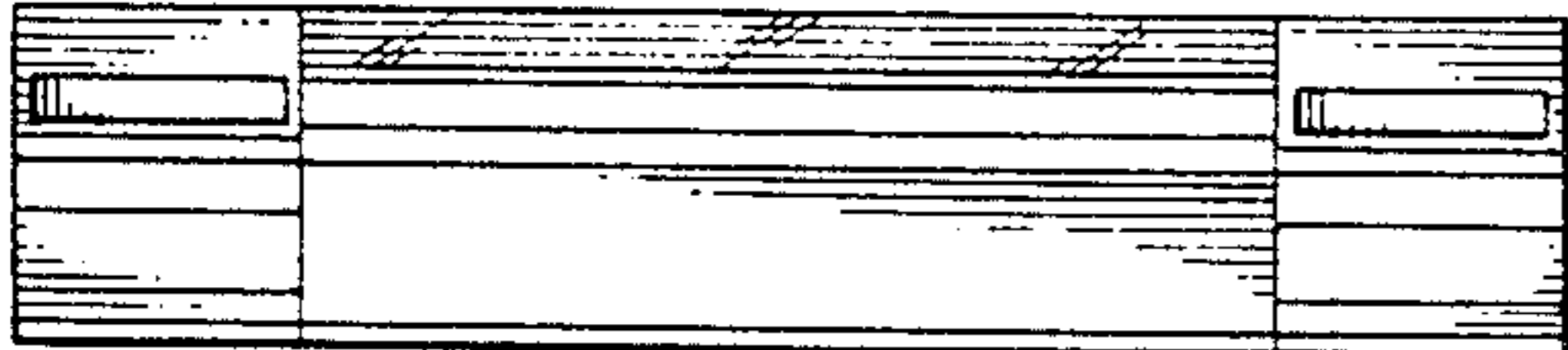
FIG. 6 is a bottom plan view.



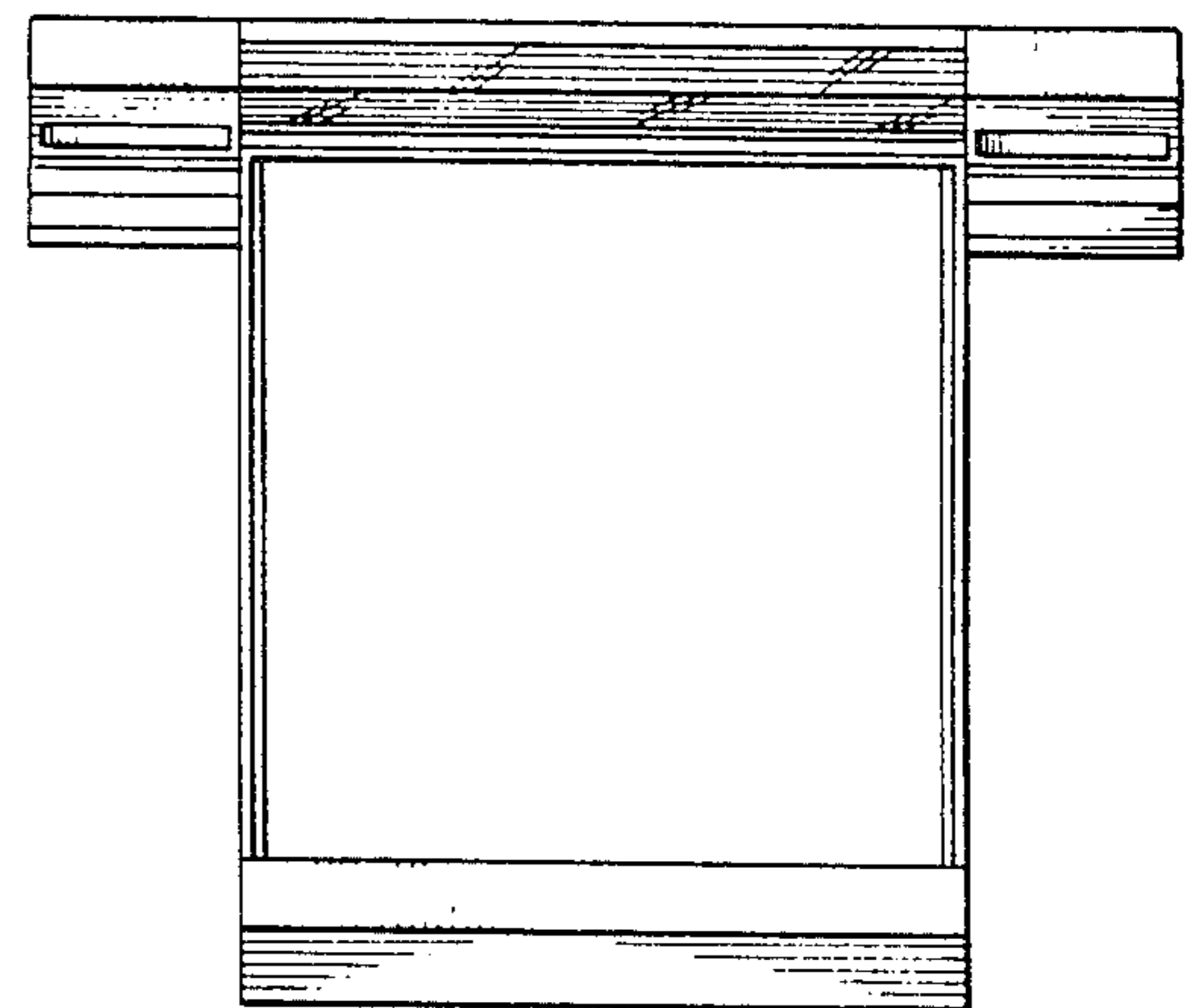
*FIG. 1*



*FIG. 2*



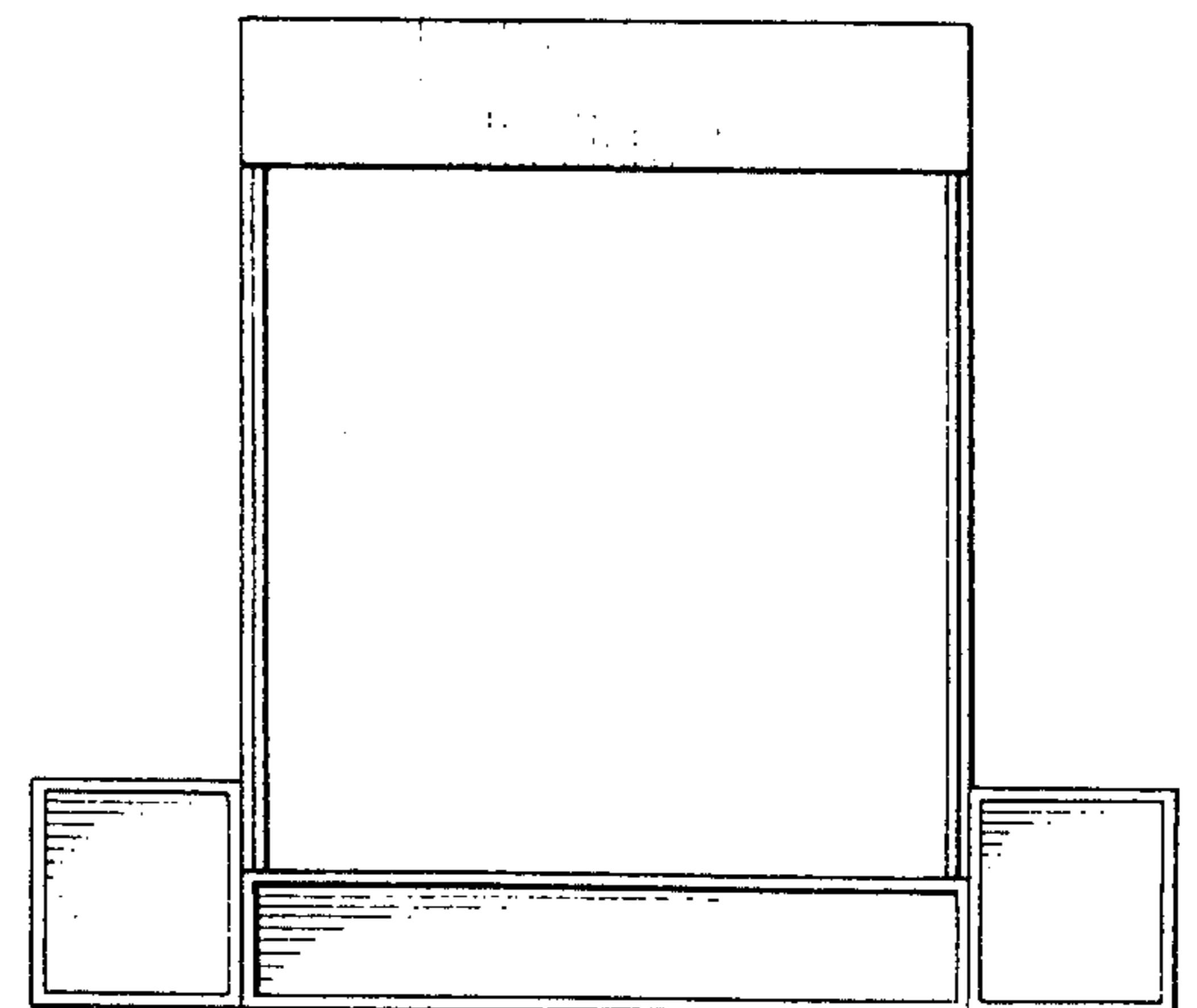
*FIG. 3*



*FIG. 4*



*FIG. 6*



*FIG. 5*

