

United States Patent [19]

Tooke

[11] **Patent Number: Des. 280,151**

[45] **Date of Patent: ** Aug. 20, 1985**

[54] **CLOTHES HANGER FOR SKIRTS,
TROUSERS AND THE LIKE**

[75] **Inventor: Michael H. Tooke, Woodland Hills,
Calif.**

[73] **Assignee: Allen Mansfield, Pacific Palisades,
Calif.**

[**] **Term: 14 Years**

[21] **Appl. No.: 456,719**

[22] **Filed: Dec. 20, 1982**

[52] **U.S. Cl. D6/326**

[58] **Field of Search D6/315-319,
D6/326-328, 513; 211/113; 223/85, 87, 88, 91,
92, 93, 95, 96**

[56] **References Cited**

U.S. PATENT DOCUMENTS

706,060 8/1902 Howe 223/96
945,729 1/1910 Rangnow D6/315

Primary Examiner—B. J. Bullock

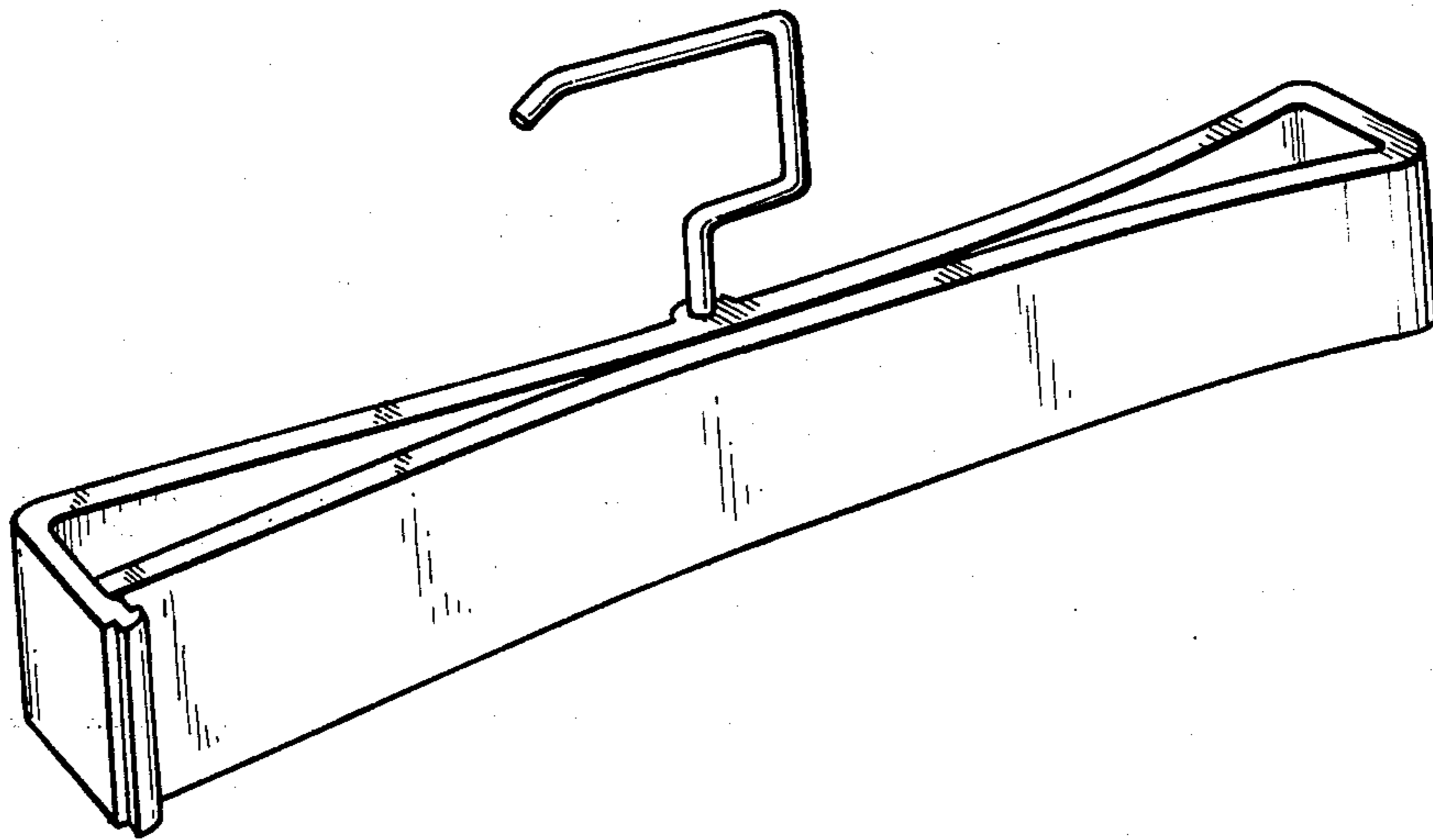
Attorney, Agent, or Firm—Keith D. Beecher, Jessup & Beecher

[57] **CLAIM**

The ornamental design for a clothes hanger for skirts, trousers and the like, substantially as shown.

DESCRIPTION

FIG. 1 is a front perspective view of a clothes hanger for skirts, trousers, and the like showing my new design; FIG. 2 is a rear perspective view thereof; FIG. 3 is a front elevational view thereof; FIG. 4 is a bottom plan view thereof; FIG. 5 is a top plan view thereof.



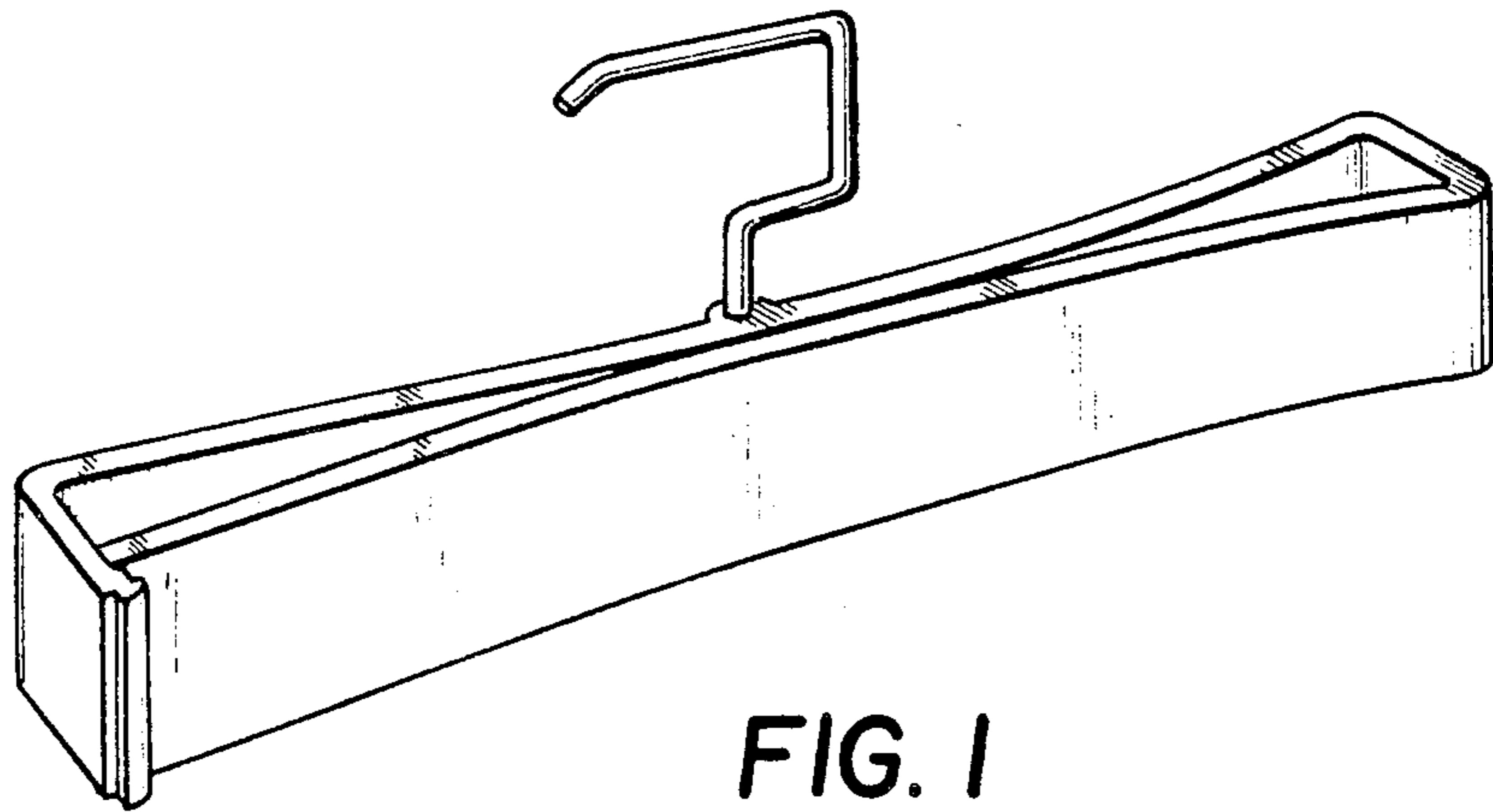


FIG. 1

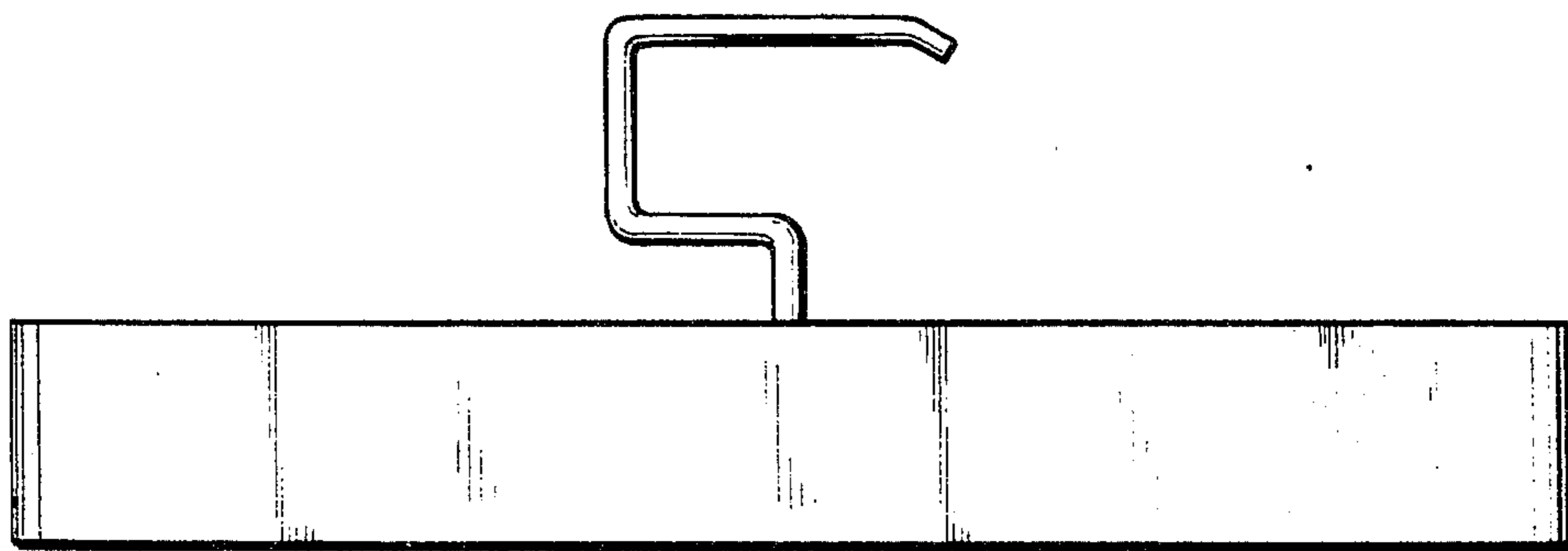


FIG. 2

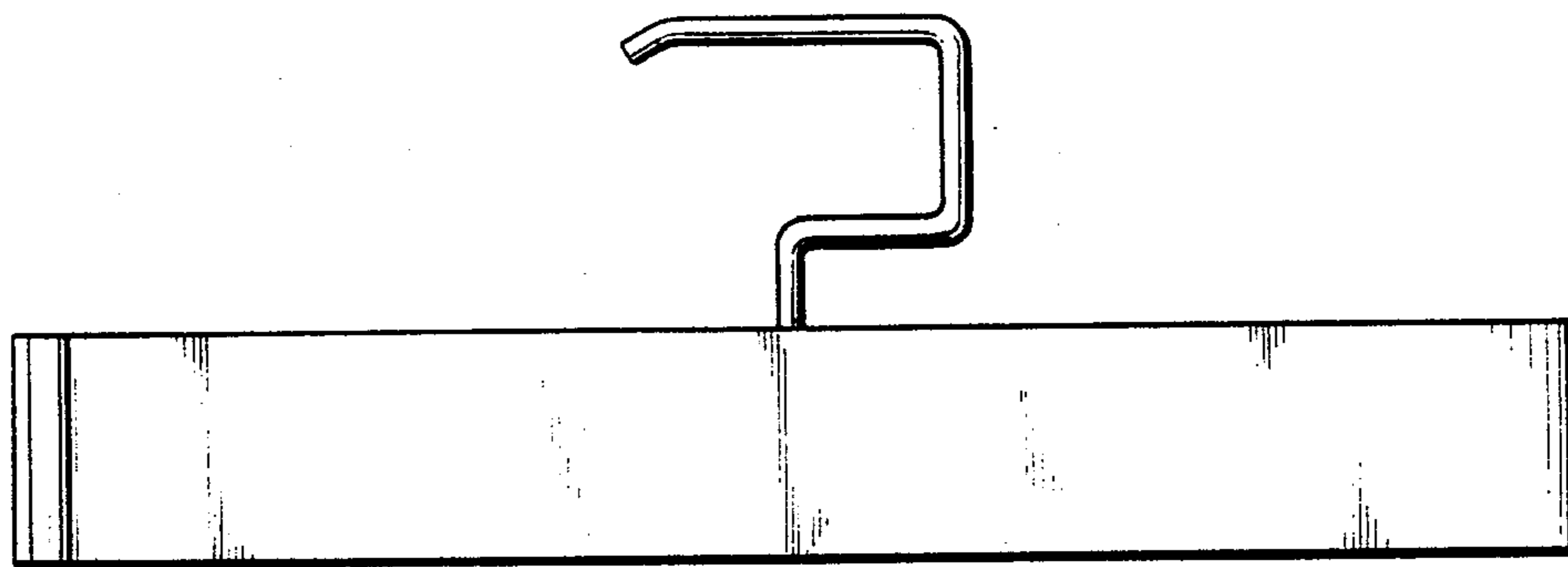


FIG. 3

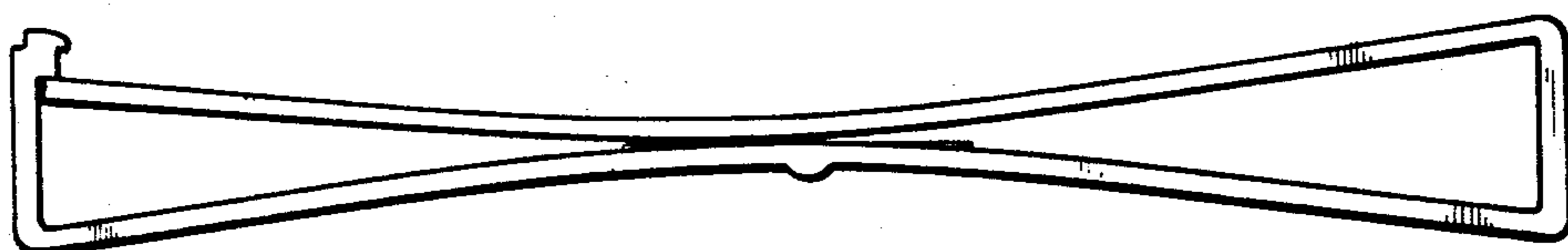


FIG. 4

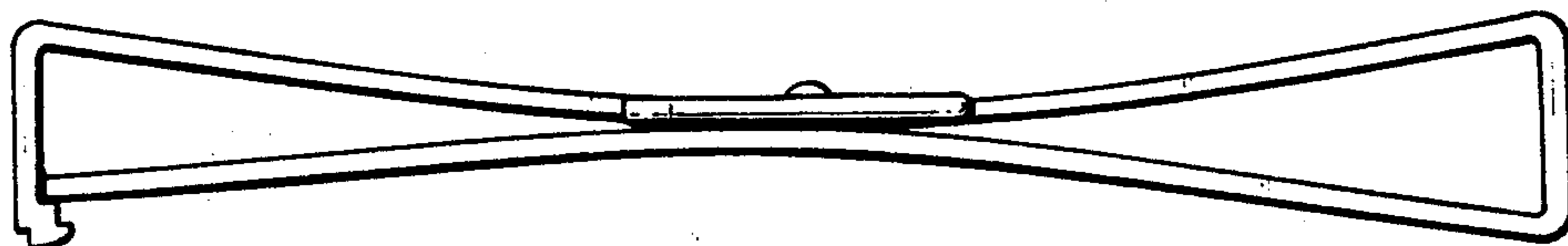


FIG. 5