

[54] COMBINED CERAMIC GREETING CARD AND PHOTOGRAPHIC MOUNTING APPARATUS

[75] Inventor: Steven R. Pargman, Los Angeles, Calif.

[73] Assignee: Terragraphics, Inc., Los Angeles, Calif.

[\*\*] Term: 14 Years

[21] Appl. No.: 478,736

[22] Filed: Mar. 25, 1983

[52] U.S. Cl. .... D6/311; D6/300

[58] Field of Search ..... D6/300-303, D6/309-312, 314; 40/152, 152.1, 158 R, 120; D28/65; 248/455, 456, 463, 460; D19/26

[56] References Cited

U.S. PATENT DOCUMENTS

D. 243,525	3/1977	Summers et al. ....	D19/26
D. 255,745	7/1980	Pedersen .....	D6/311
D. 265,453	7/1982	Smith .....	D6/301
560,080	5/1896	Booher .....	40/152

1,879,251	9/1932	Horbatuck .....	248/460
2,007,534	7/1935	Kapnek .....	248/455

Primary Examiner—Bernard Ansher  
Assistant Examiner—Terry Pfeffer  
Attorney, Agent, or Firm—Michael A. Painter

[57] CLAIM

The ornamental design for a combined ceramic greeting card and photograph mounting apparatus, substantially as shown.

DESCRIPTION

FIG. 1 is a top, front, left side perspective view of a combined ceramic greeting card and photograph mounting apparatus showing my new design;  
FIG. 2 is a bottom, rear, right side perspective view thereof;  
FIG. 3 is a cross-section thereof taken along line 3—3 of FIG. 1;  
FIG. 4 is a top, front, left side perspective view thereof shown in an open position;  
FIG. 5 is a bottom, rear, right side perspective view of that shown in FIG. 4; and  
FIG. 6 is a cross-section taken along line 6—6 of FIG. 4.

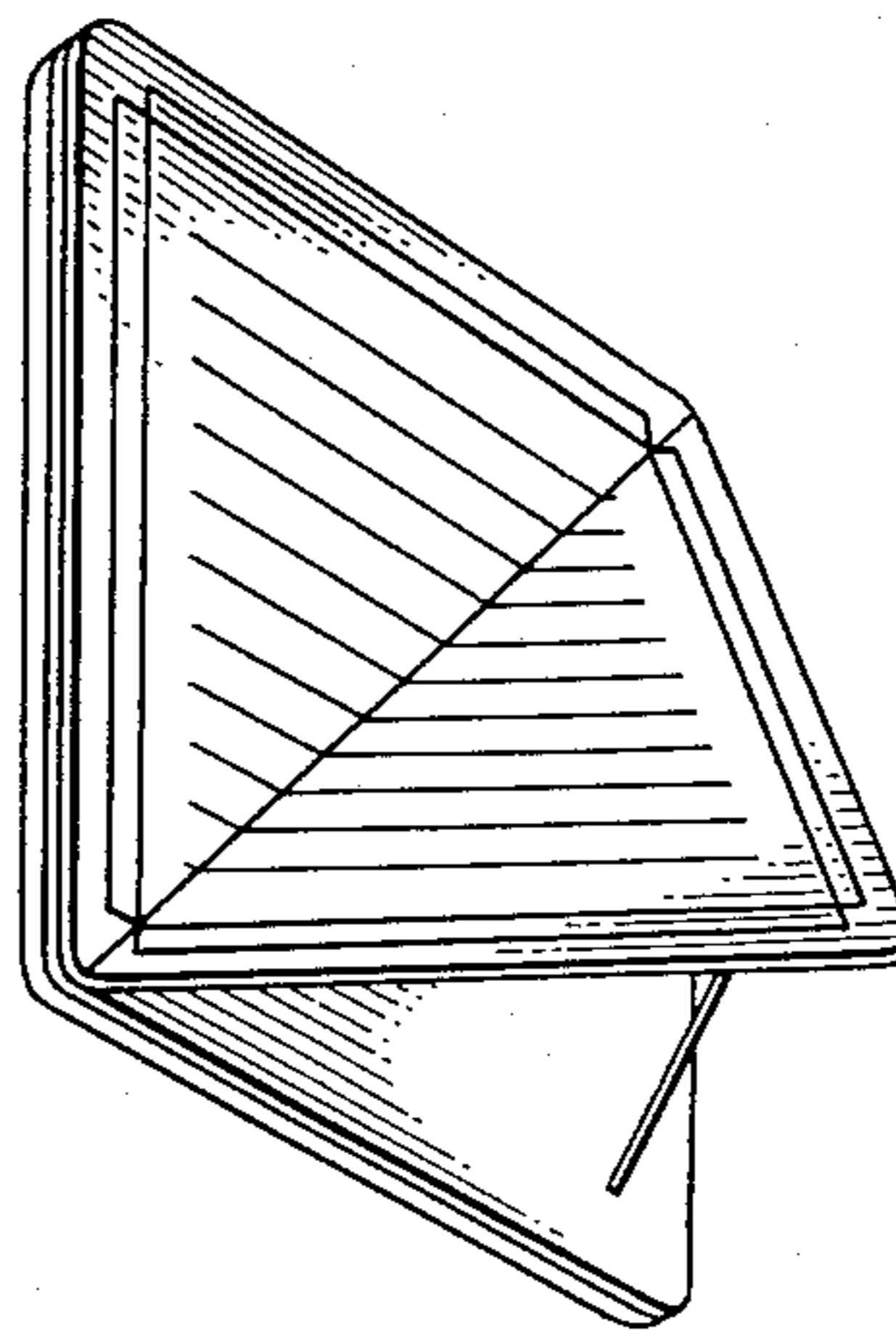
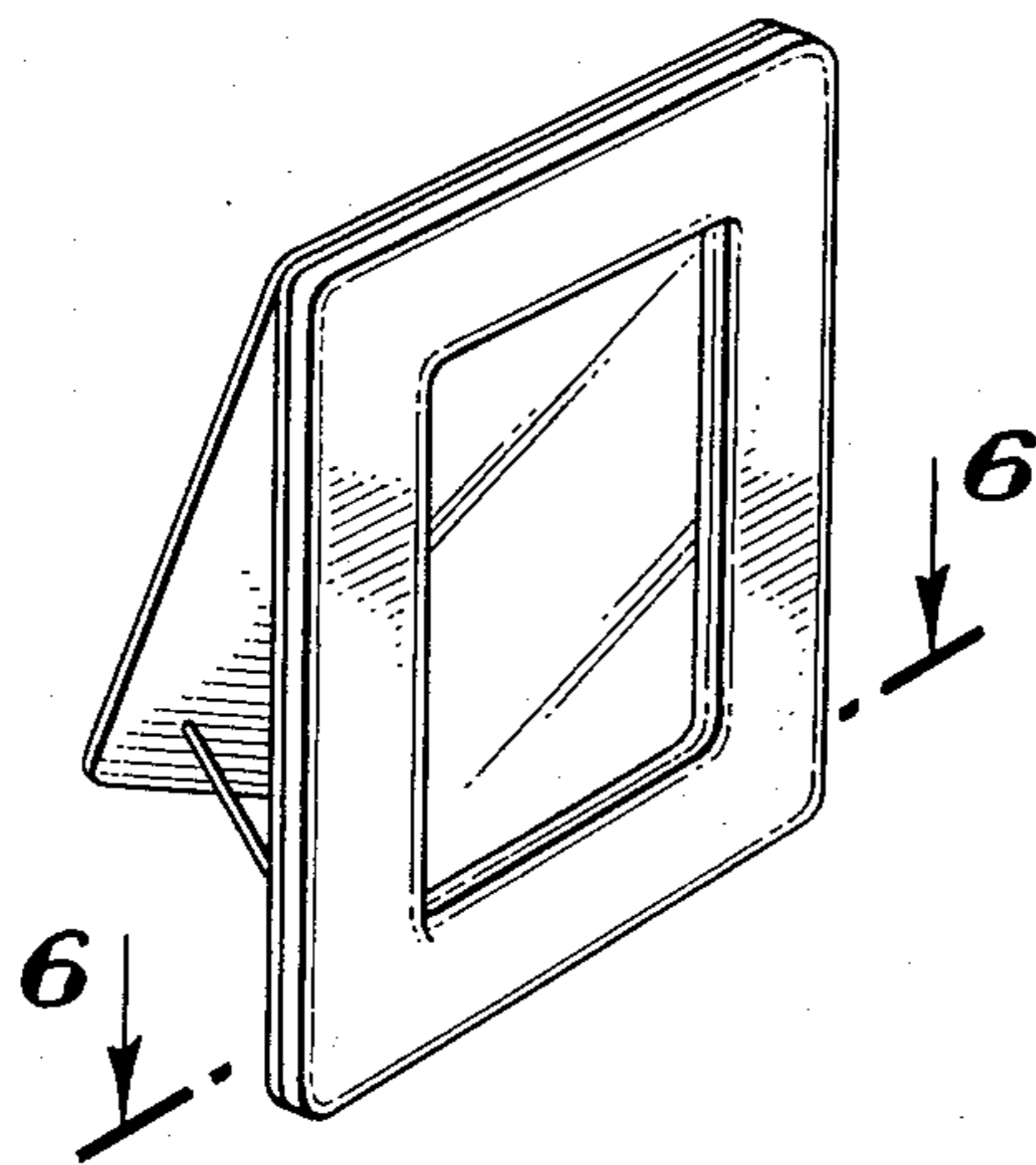


FIG. 1

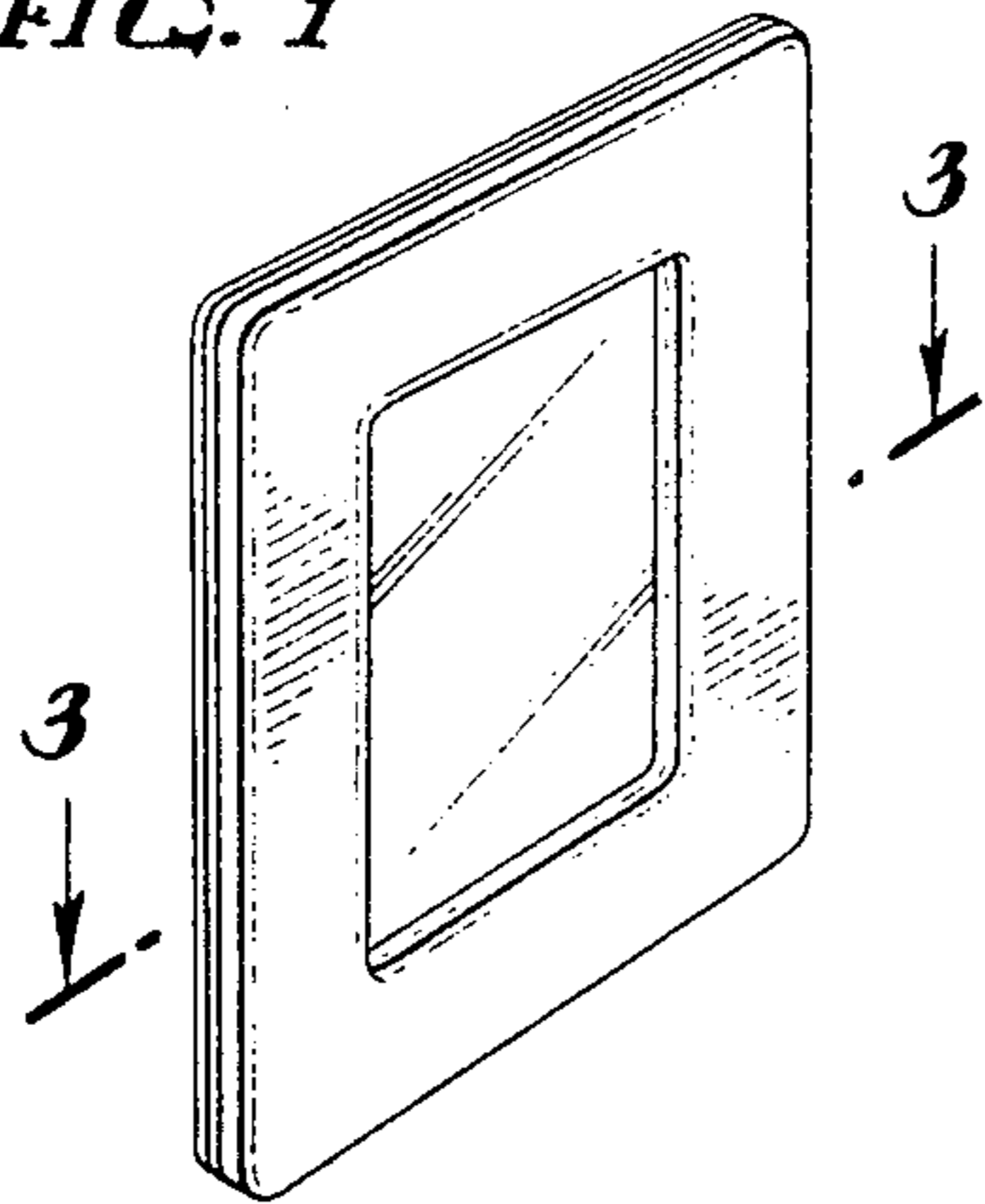


FIG. 2

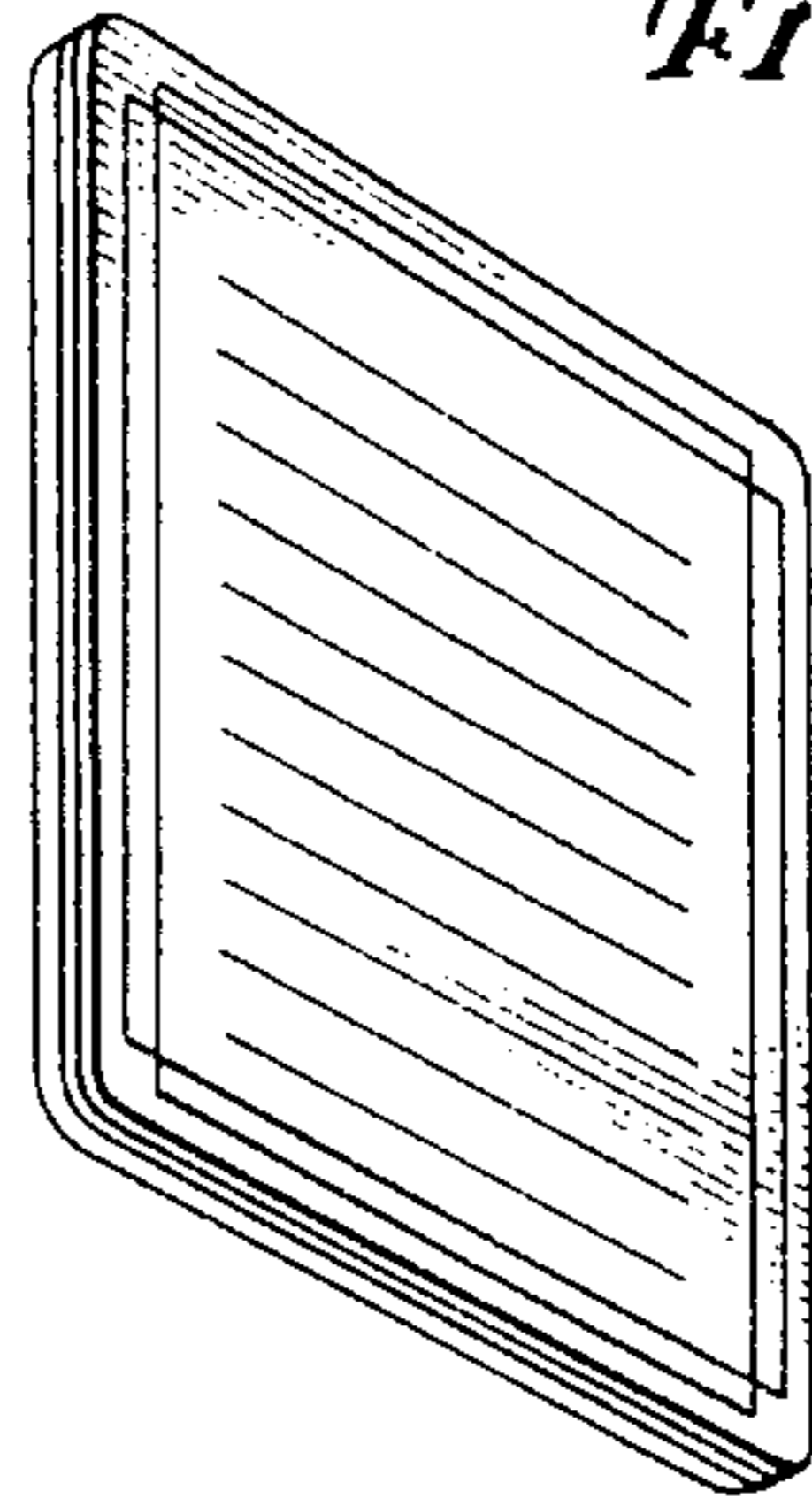


FIG. 3

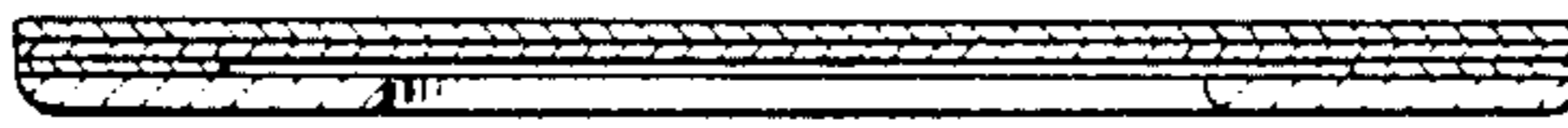


FIG. 4

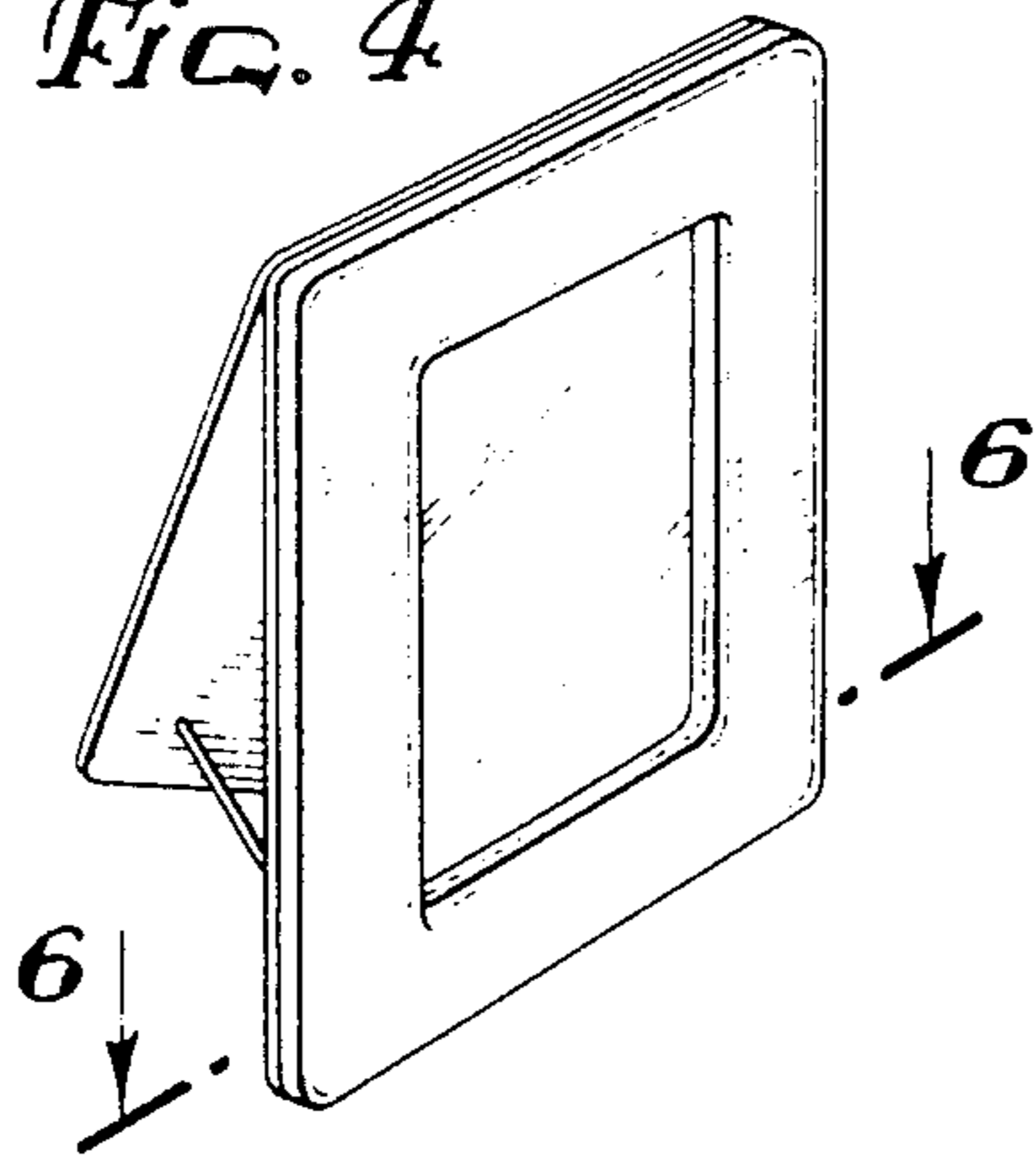


FIG. 5

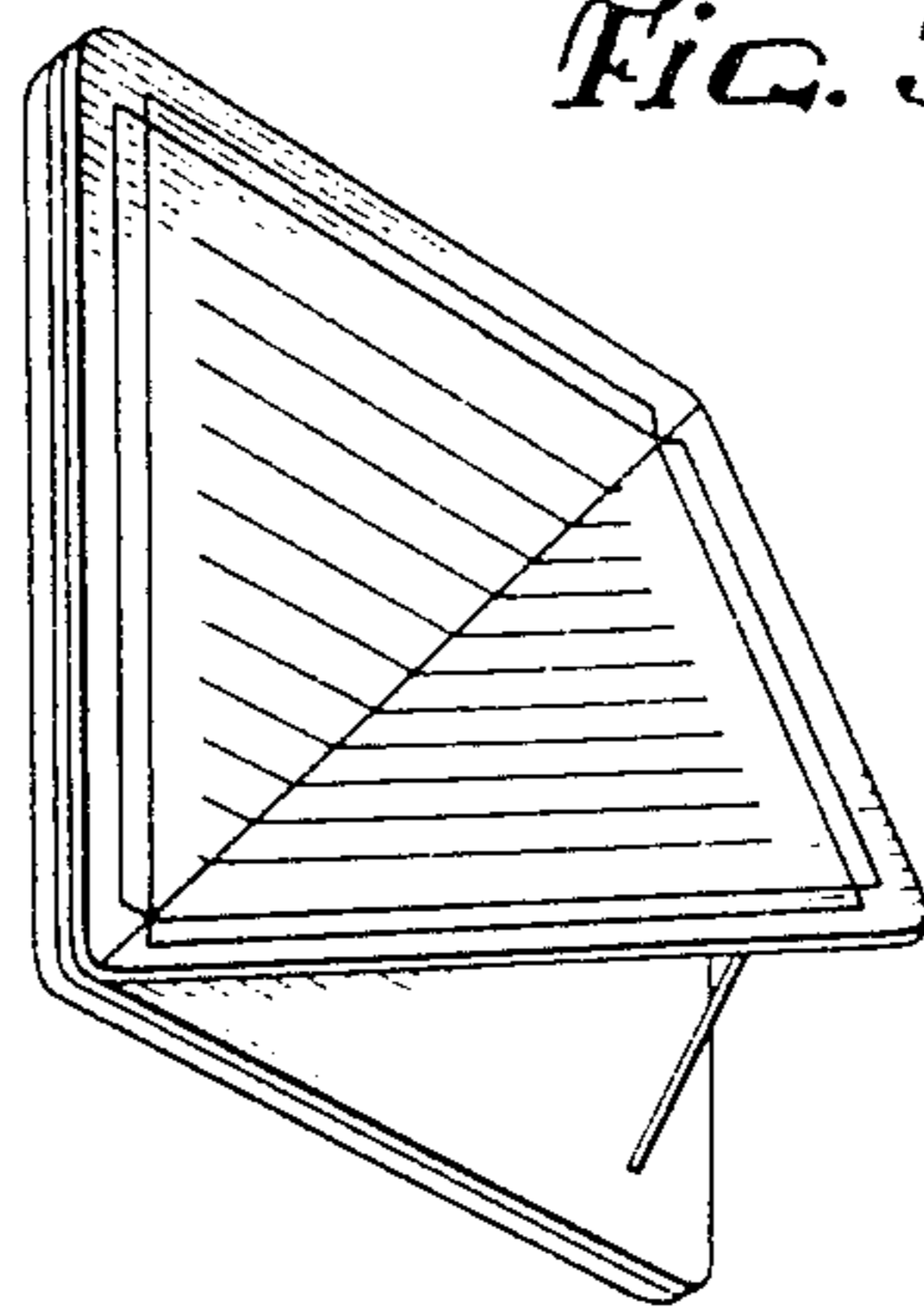


FIG. 6

