

United States Patent [19]

Liautaud et al.

[11] Patent Number: **Des. 280,146**

[45] Date of Patent: **** Aug. 20, 1985**

[54] **BELT HOLDER FOR A PORTABLE RADIO OR THE LIKE**

4,046,295 9/1977 Eichler 224/251 X
4,299,344 11/1981 Yamashita et al. 224/252 X

[75] Inventors: **James P. Liautaud**, River and Bluff Rds., Trout Valley, Cary, Ill. 60013; **Peter F. Stultz**, Elgin; **David L. Maloney**, Barrington, both of Ill.

Primary Examiner—Bernard Ansher
Assistant Examiner—Theodore M. Shooman
Attorney, Agent, or Firm—Lockwood, Alex, Fitzgibbon & Cummings

[73] Assignee: **James P. Liautaud**, Cary, Ill.

[57] **CLAIM**

[**] Term: **14 Years**

The ornamental design for a belt holder for a portable radio or the like, substantially as shown and described.

[21] Appl. No.: **529,955**

DESCRIPTION

[22] Filed: **Sep. 6, 1983**

[52] U.S. Cl. **D2/400**

[58] Field of Search D2/400, 381, 383, 426, D2/431; 224/163, 191, 239, 908

FIG. 1 is a perspective view of a belt holder for a portable radio or the like showing our new design; FIG. 2 is a front elevational view thereof; FIG. 3 is a side elevational view thereof; FIG. 4 is a top plan view thereof; FIG. 5 is a rear elevational view thereof; FIG. 6 is a bottom plan view thereof; FIG. 7 is a front elevational view thereof, with the holder in a rotated position; FIG. 8 is a perspective view thereof, with the holder in a rotated position.

[56] **References Cited**

U.S. PATENT DOCUMENTS

D. 203,101 12/1965 Holder D2/400
D. 250,974 1/1979 Donley et al. D2/400 X
D. 270,682 9/1983 Rudd D2/431

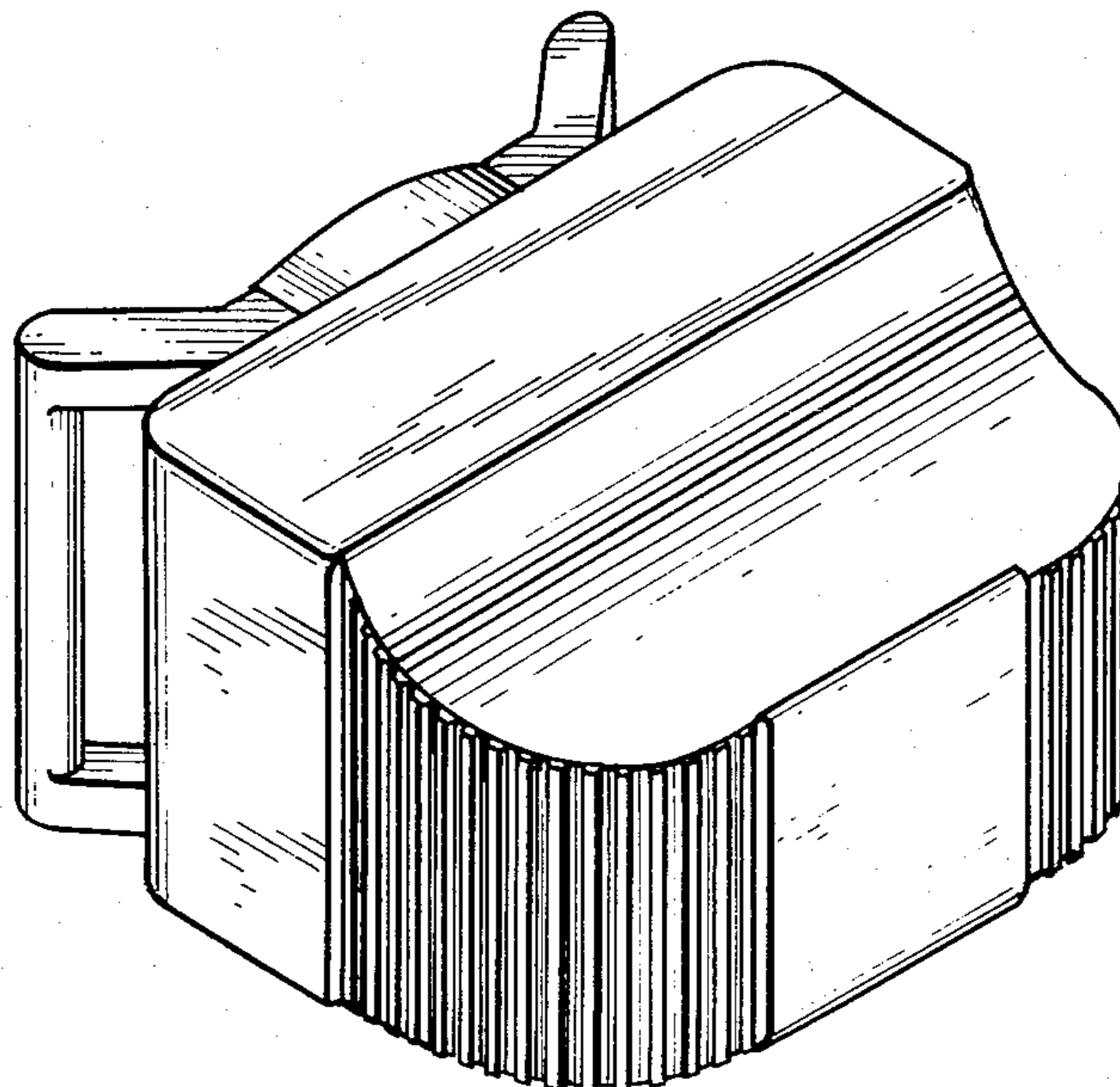


FIG. 1

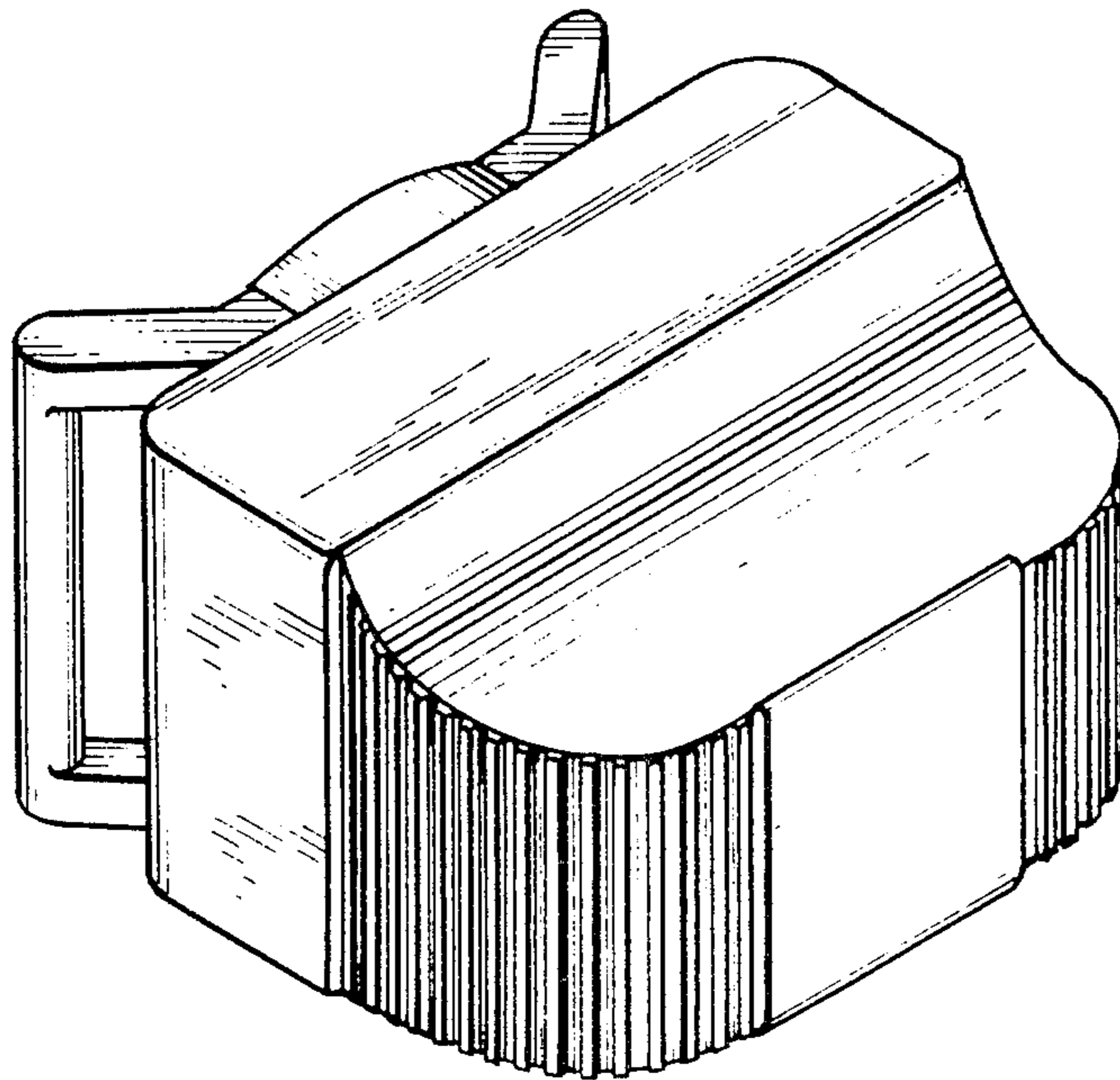


FIG. 2

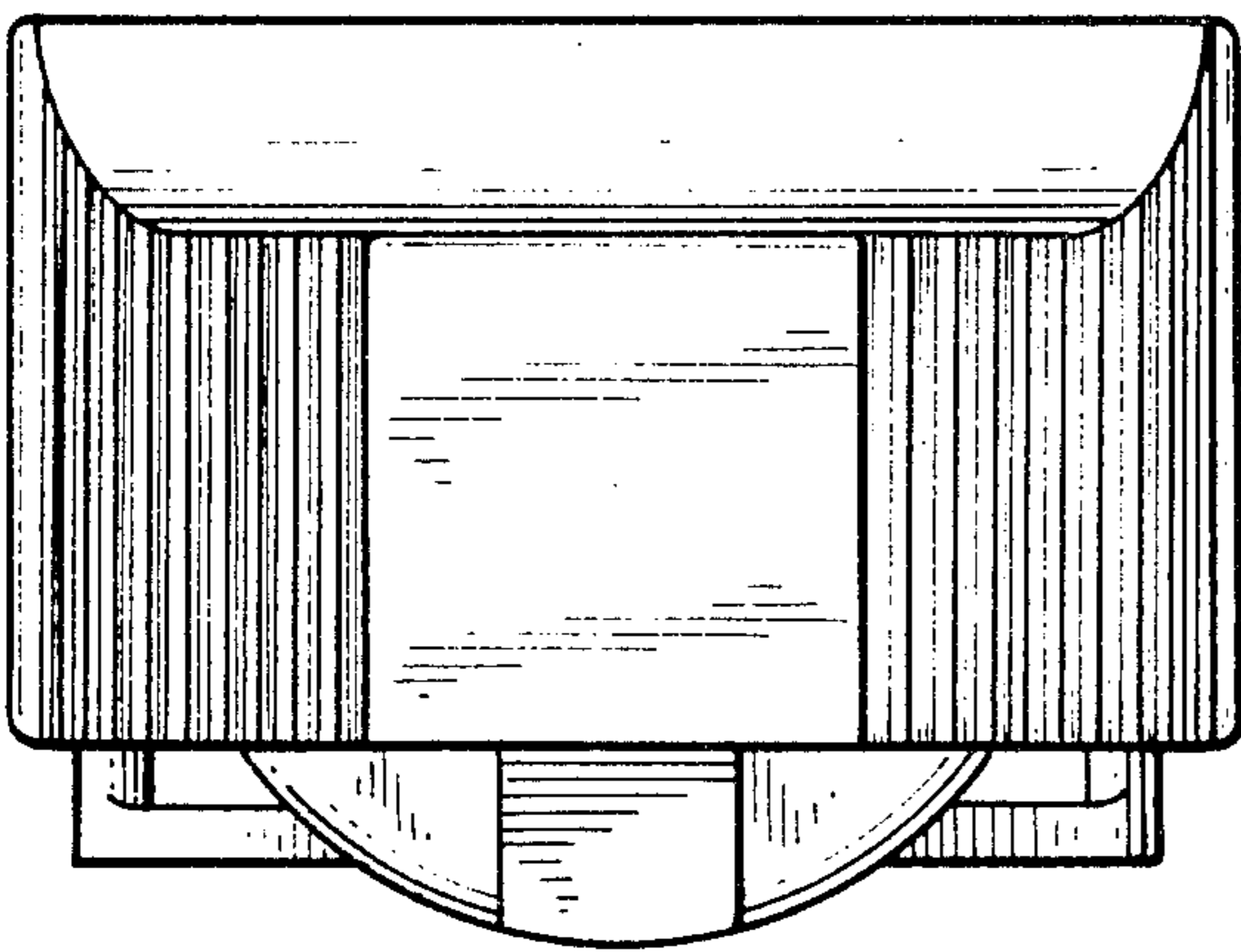


FIG. 3

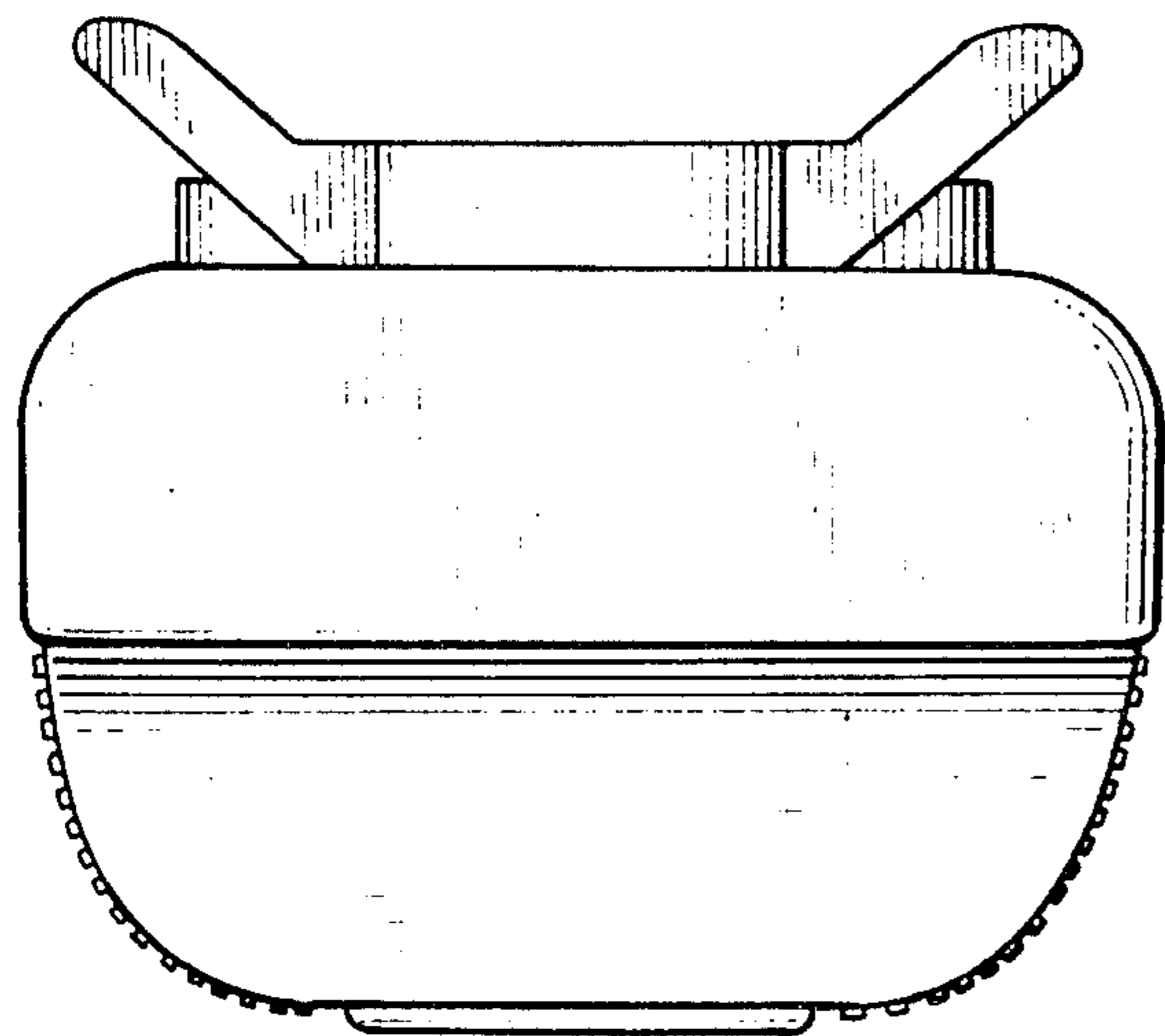
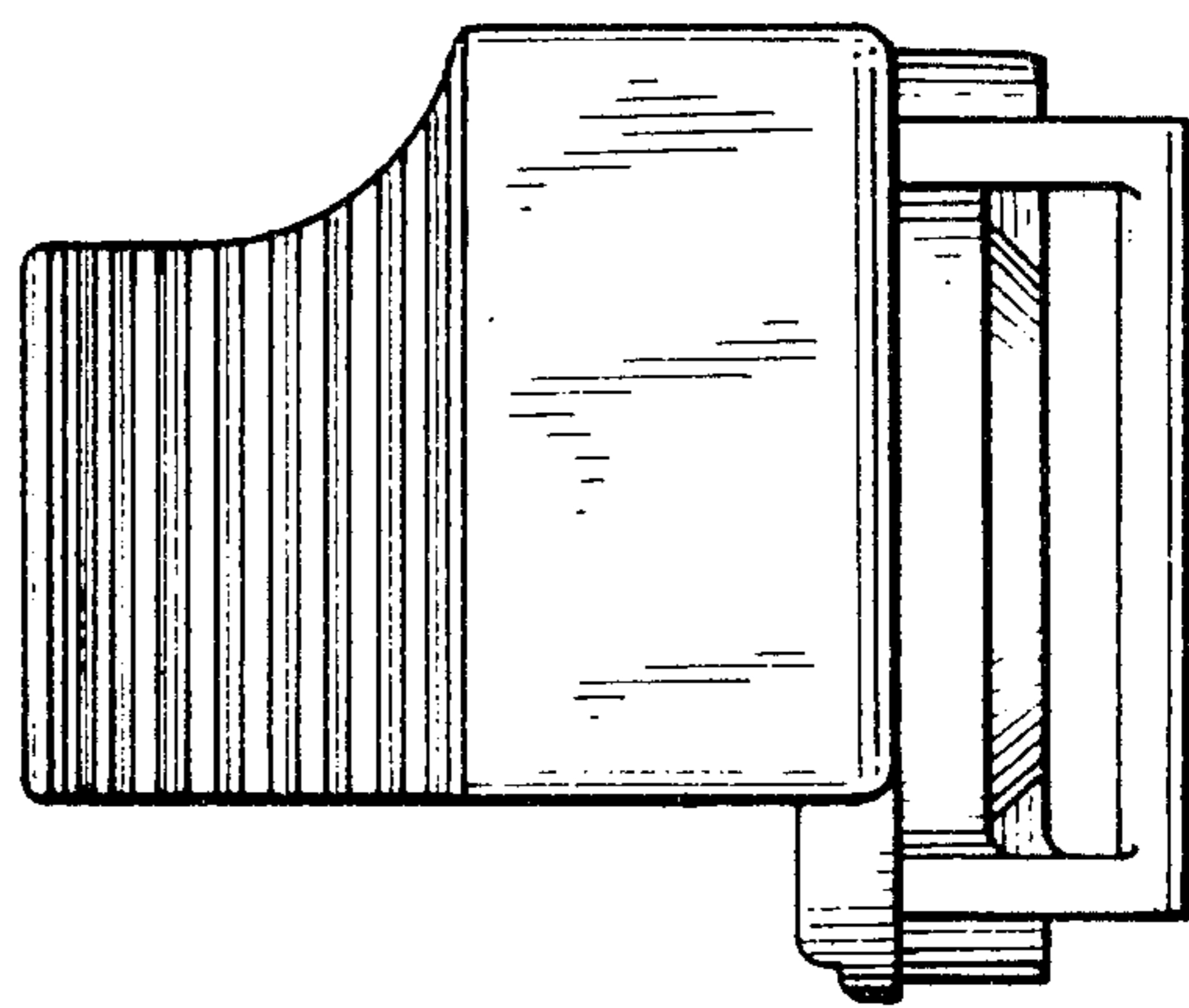


FIG. 4

FIG. 5

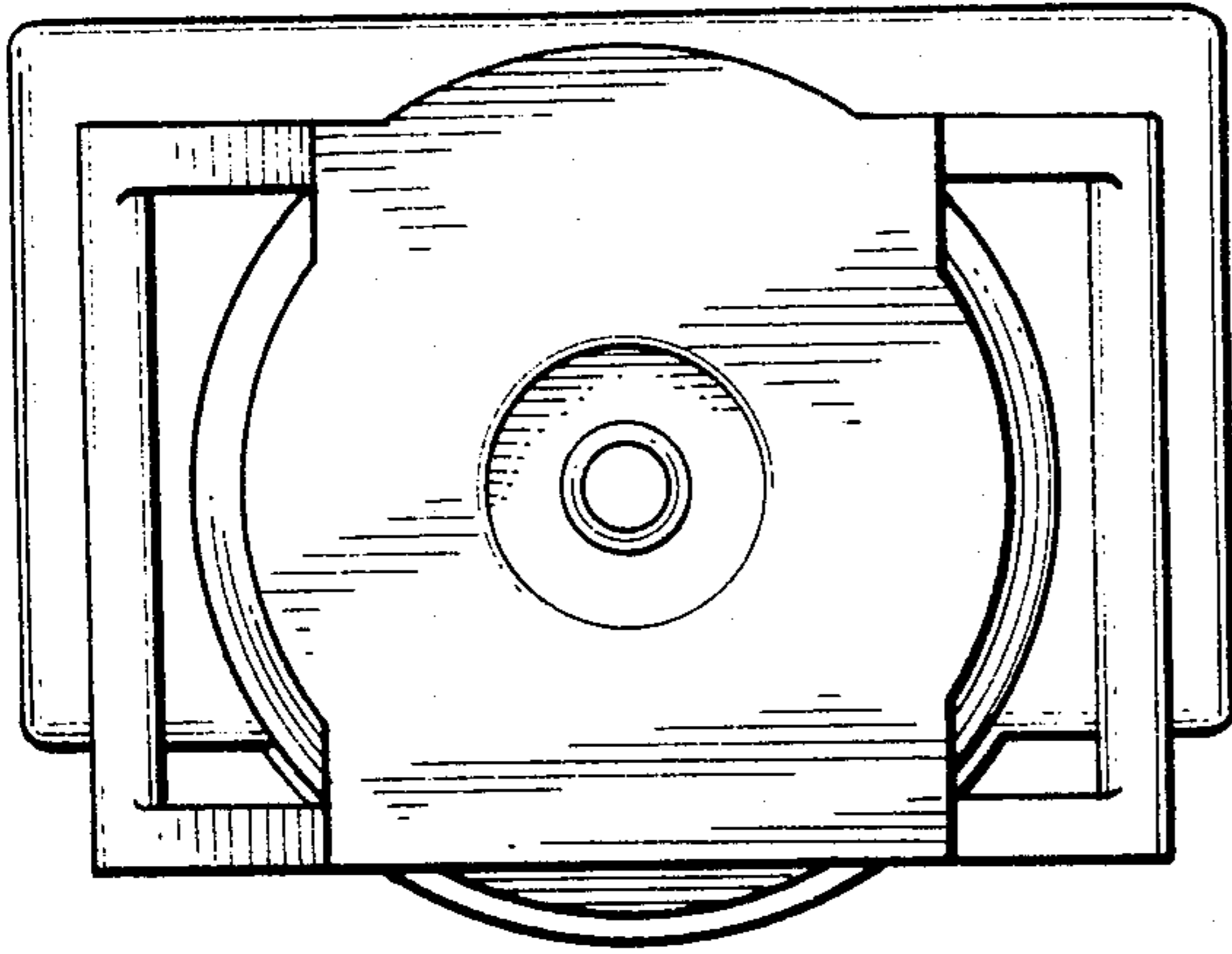


FIG. 7

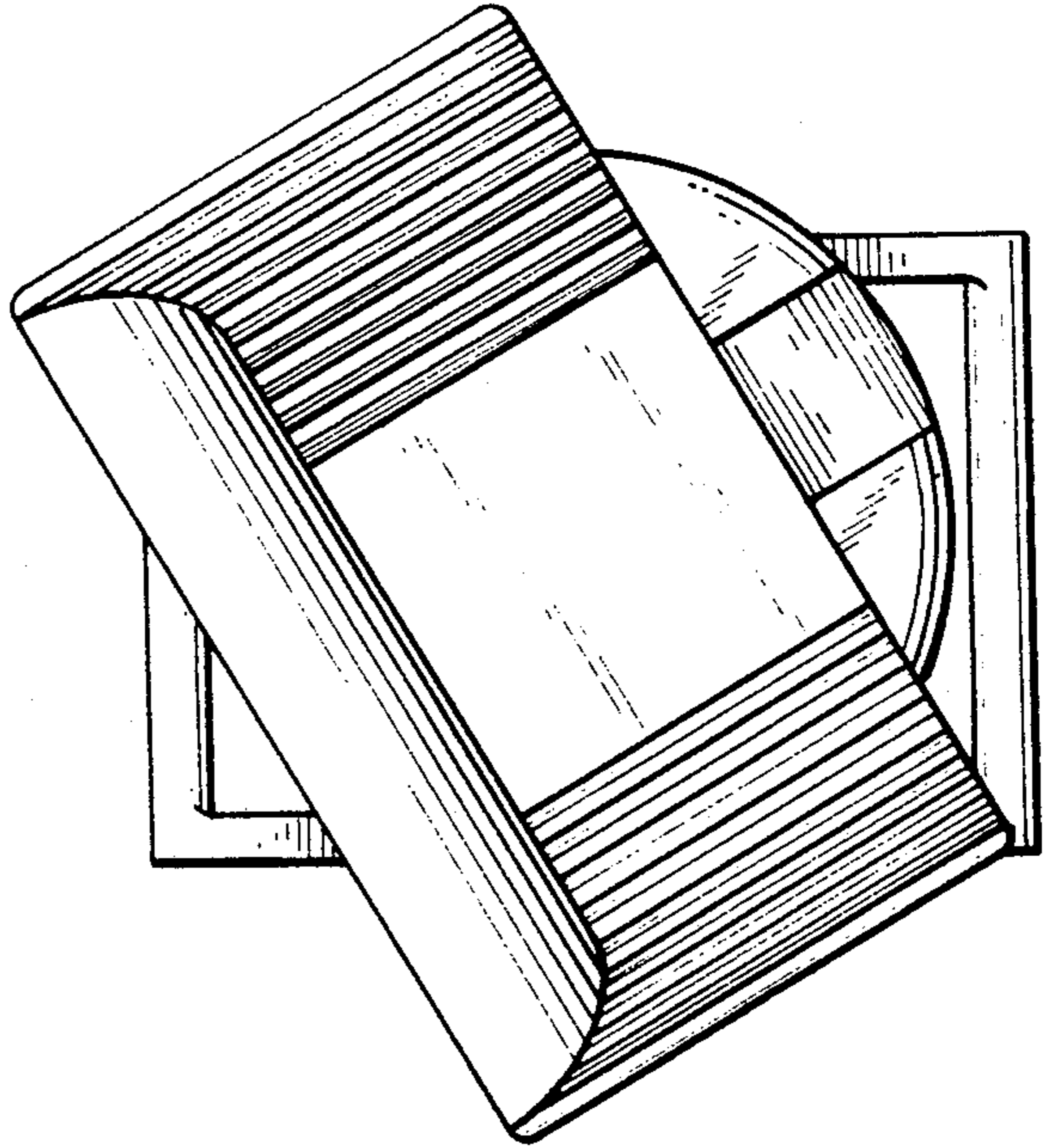


FIG. 6

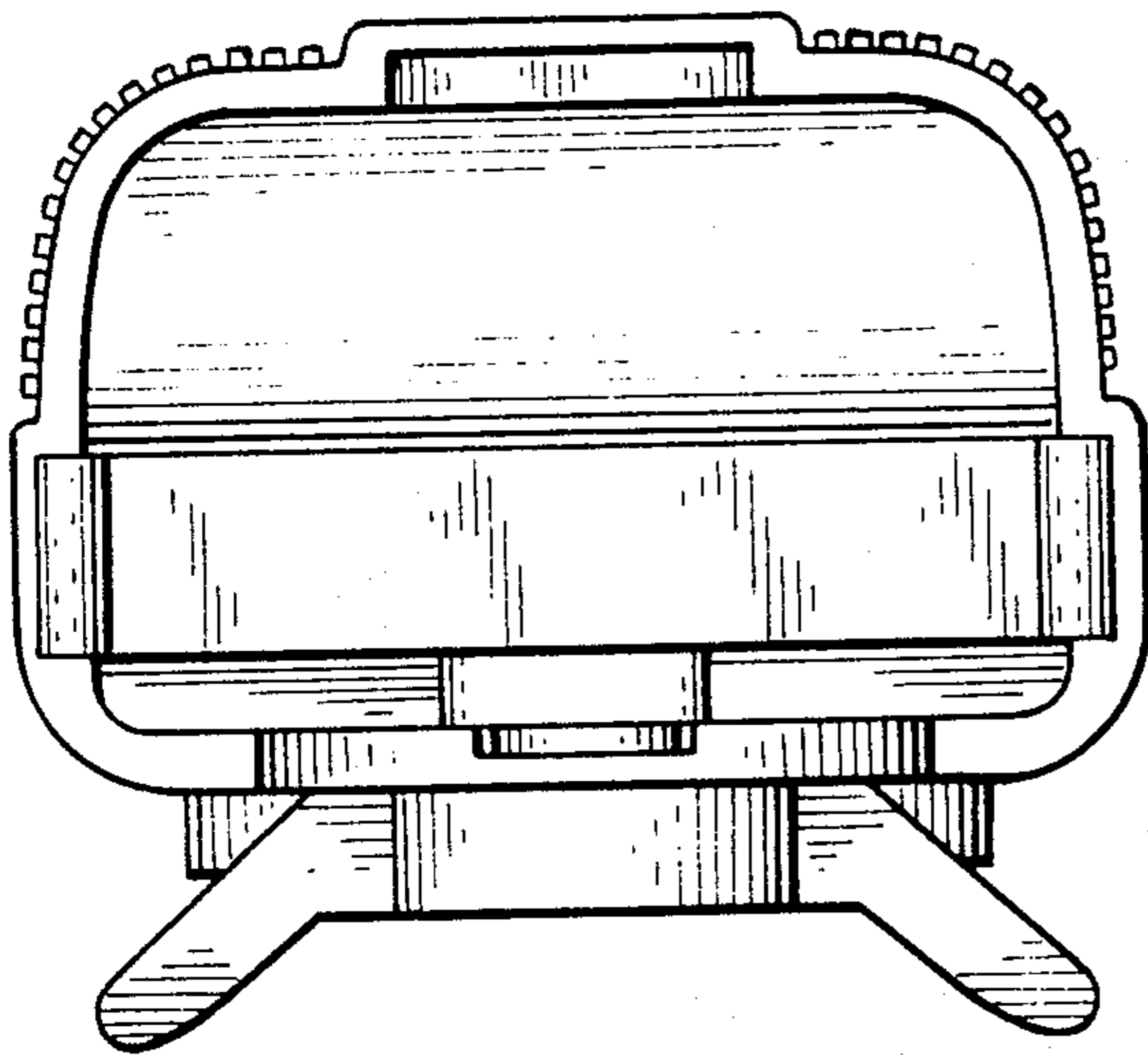


FIG. 8

