

United States Patent [19]
Cooney

[11] Patent Number: Des. 280,144

[45] Date of Patent: ** Aug. 13, 1985

[54] PAINT ROLLER CLEANING DEVICE

[76] Inventor: James J. Cooney, 763 Sapphire St.,
San Diego, Calif. 92109

[**] Term: 14 Years

[21] Appl. No.: 524,018

[22] Filed: Aug. 17, 1983

[52] U.S. Cl. D32/35; D32/42

[58] Field of Search D32/35, 42; D4/122,
D4/123; 15/230.11; 68/213; 134/138, 139, 149

[56] References Cited

U.S. PATENT DOCUMENTS

D. 201,792 8/1965 Seibel D32/42
D. 267,123 11/1982 Fuller D32/35

Primary Examiner—Catherine E. Kemper

Attorney, Agent, or Firm—Paul A. Weilein

[57] CLAIM

The ornamental design for a paint roller cleaning device, as shown and described.

DESCRIPTION

FIG. 1 is a perspective view of a paint roller cleaning device, showing my new design;

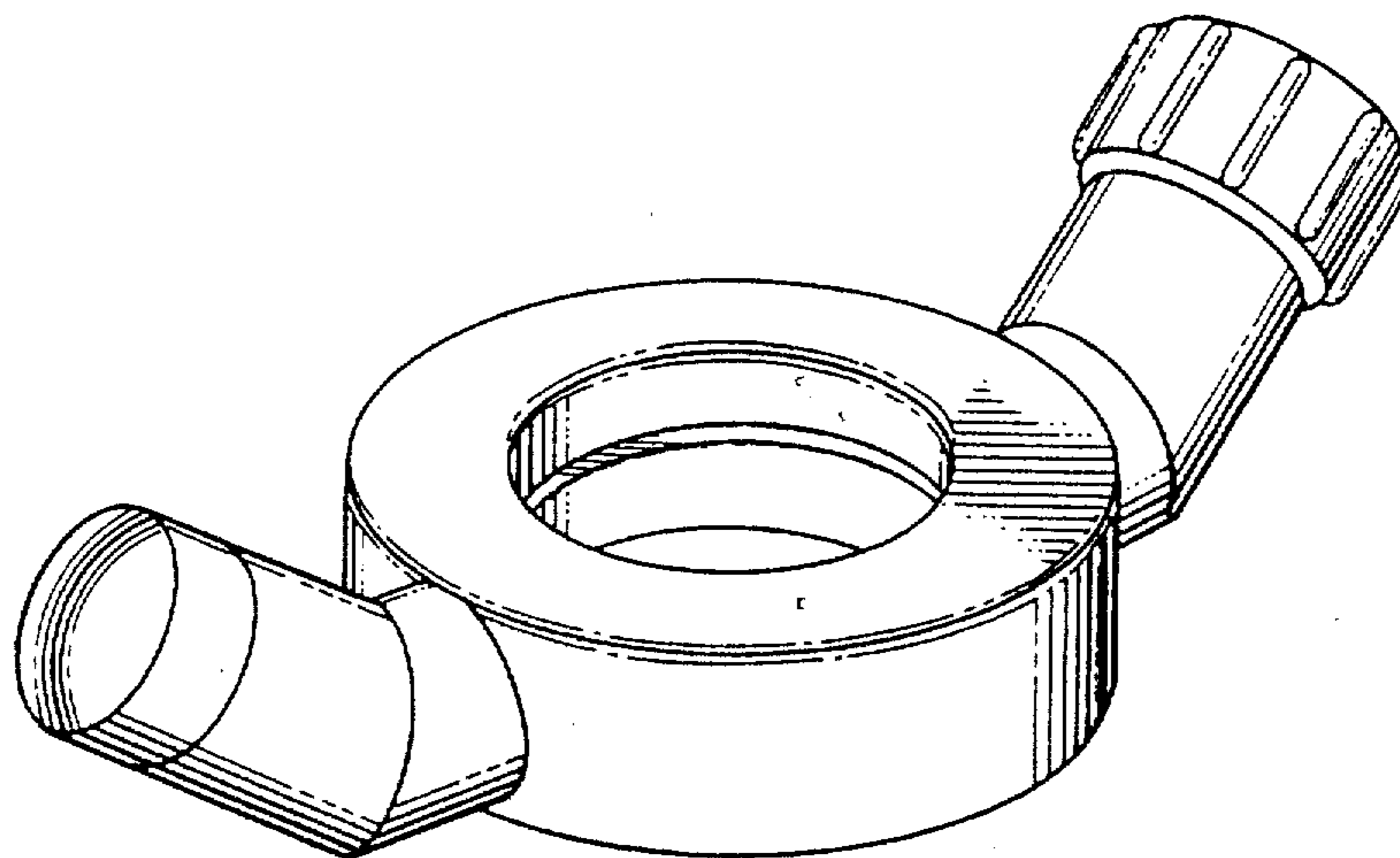
FIG. 2 is an enlarged elevational view of the opposite side thereof;

FIG. 3 is a right end elevational view thereof taken from FIG. 2;

FIG. 4 is a left end elevational view thereof taken from FIG. 2;

FIG. 5 is a bottom plan view thereof;

FIG. 6 is a perspective view of a second embodiment of a paint roller cleaning device.



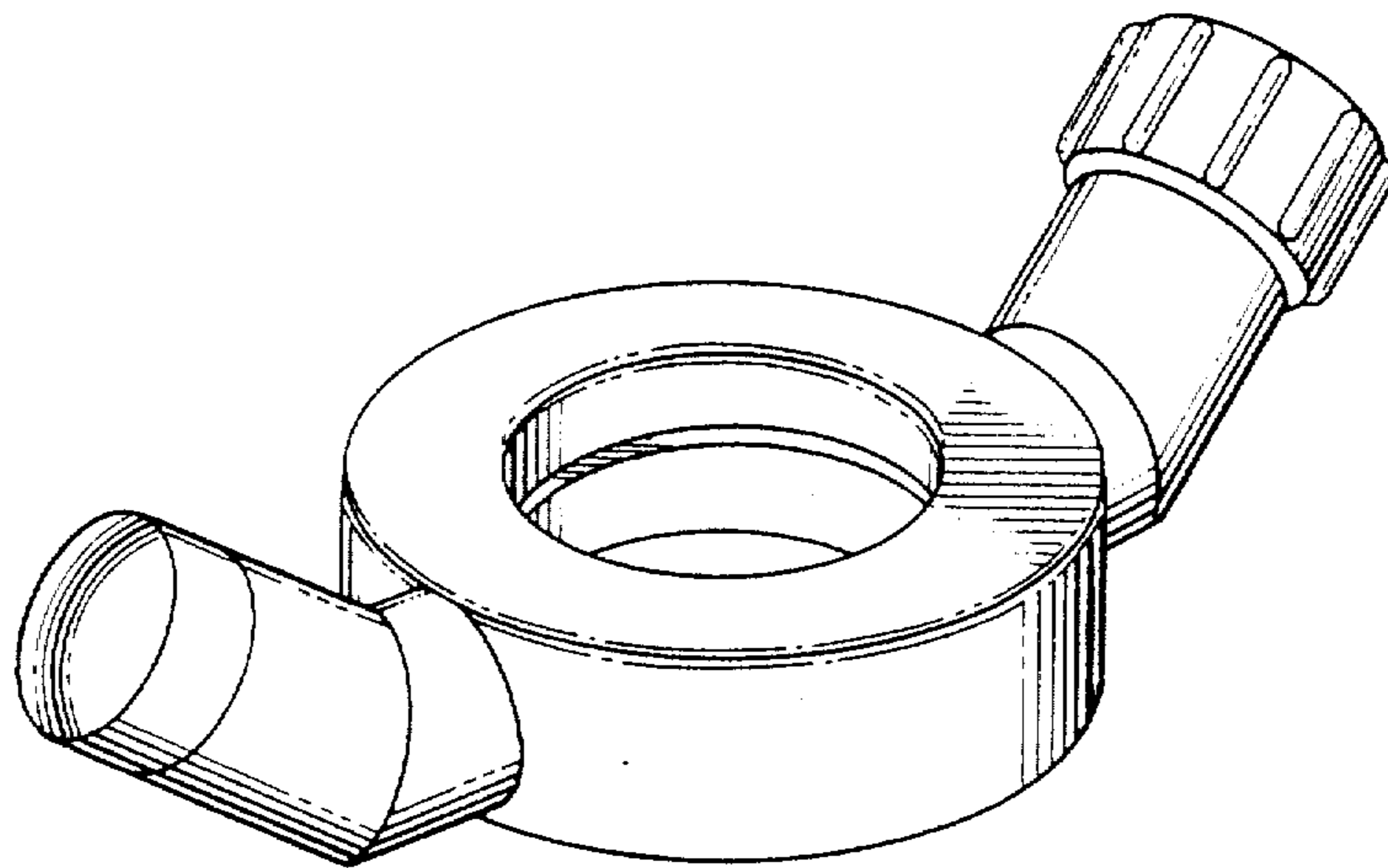


FIG. 1.

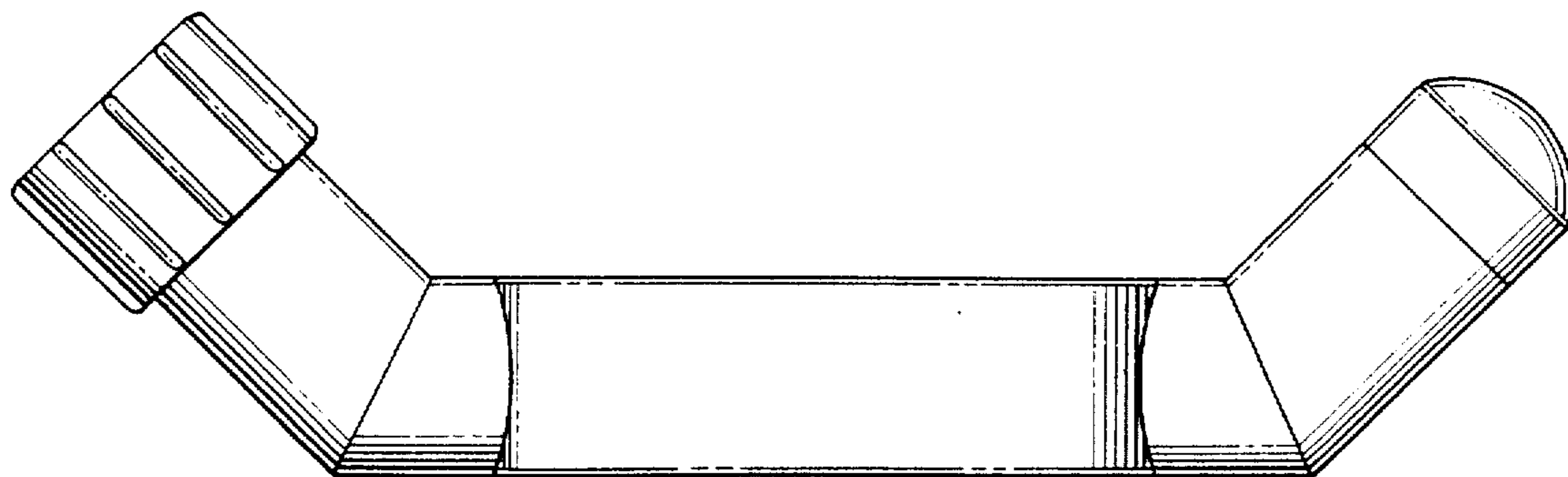


FIG. 2.

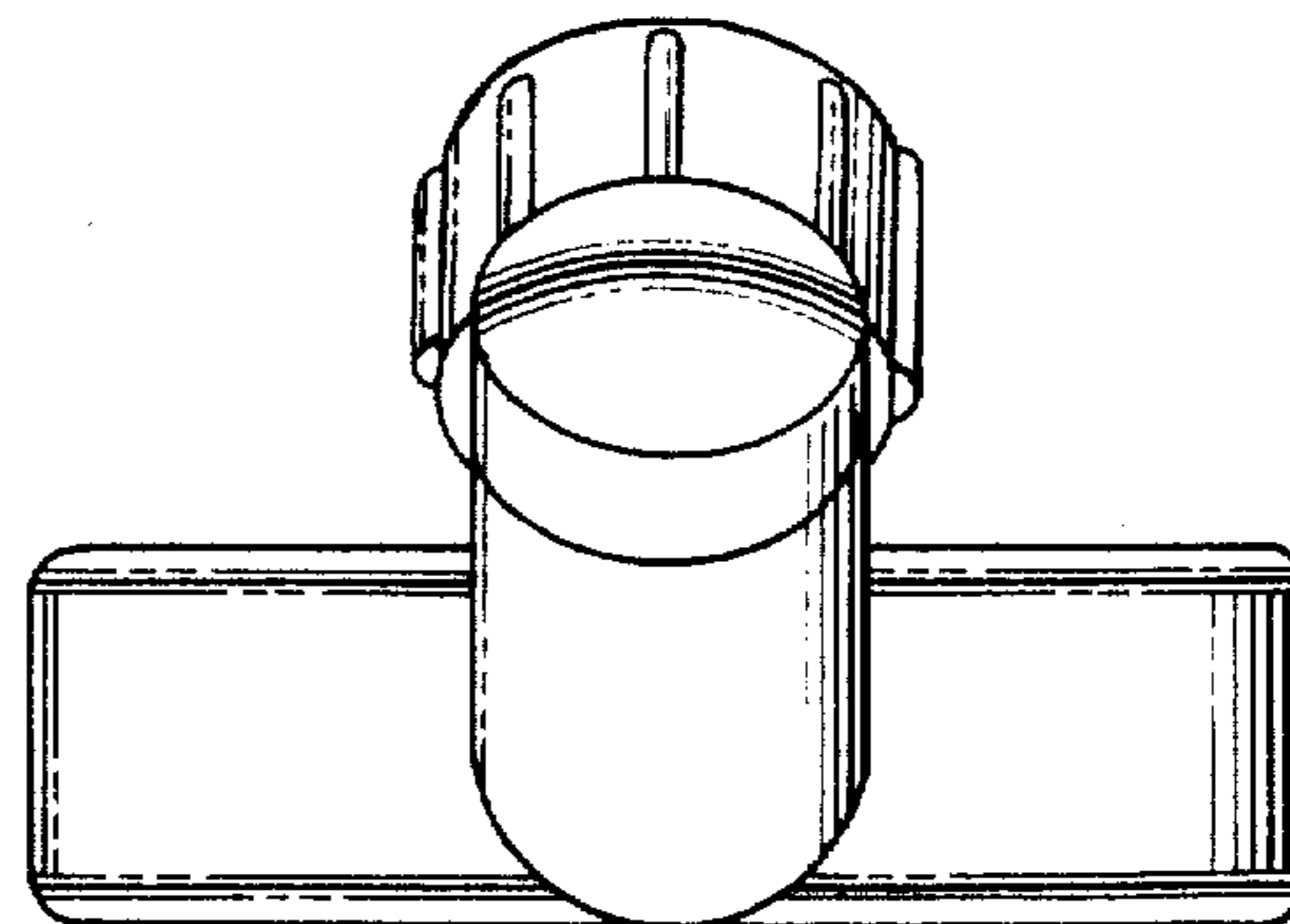


FIG. 3.

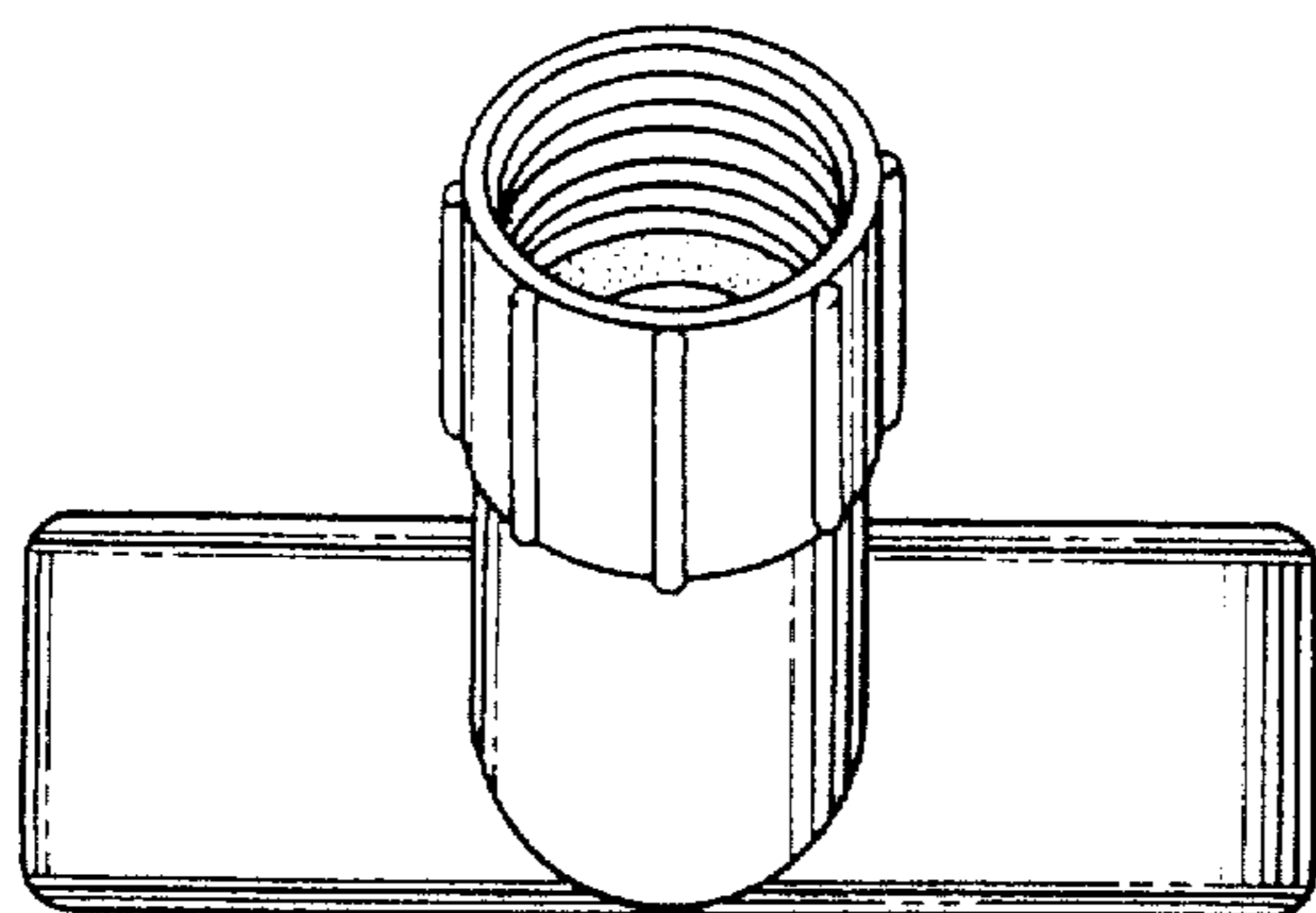


FIG. 4.

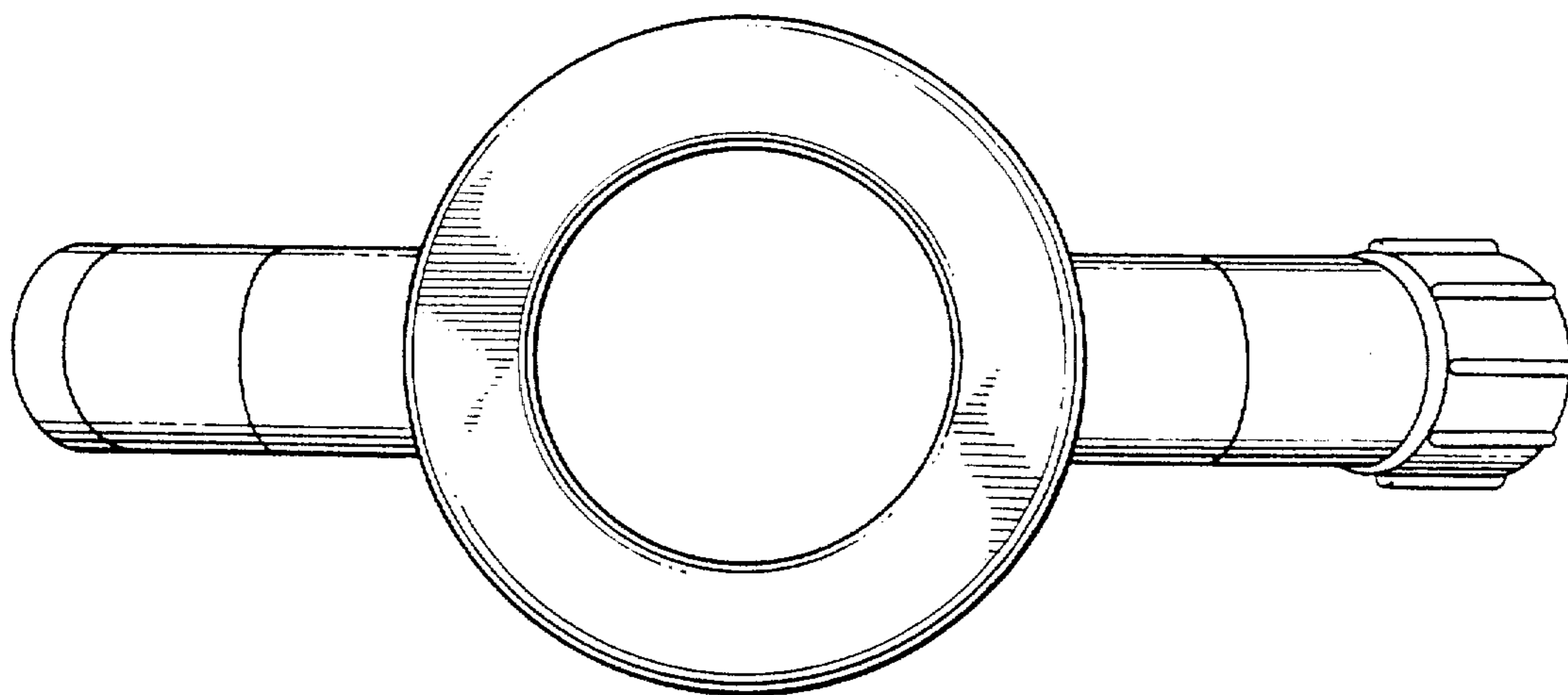


FIG. 5.

FIG. 6.

