

[54] PORTABLE VACUUM CLEANER

[75] Inventor: Horst Pudwill, Kowloon, Hong Kong

[73] Assignee: Continental Engineering Products, Hong Kong, Hong Kong

[**] Term: 14 Years

[21] Appl. No.: 542,811

[22] Filed: Oct. 17, 1983

[30] Foreign Application Priority Data

Apr. 20, 1983 [DE] Fed. Rep. of Germany URA459/83

[52] U.S. Cl. D32/18

[58] Field of Search D32/18; 15/344, 412, 15/320-327 R, 327 D, 327 E

[56] References Cited

U.S. PATENT DOCUMENTS

D. 257,661	12/1980	Gantz	D32/18
D. 274,381	6/1984	Chio	D32/18
3,513,500	5/1970	Hori	15/344

Primary Examiner—Wallace R. Burke
Assistant Examiner—Lynn Wilder
Attorney, Agent, or Firm—Gabriel P. Katona

[57] CLAIM

The portable vacuum cleaner, substantially as described herein and as shown in the drawing.

DESCRIPTION

FIG. 1 is a front perspective view of a portable vacuum cleaner showing my new design;
FIG. 2 is a rear perspective view thereof;
FIG. 3 is a top plan view thereof; and
FIG. 4 is a bottom plan view thereof.

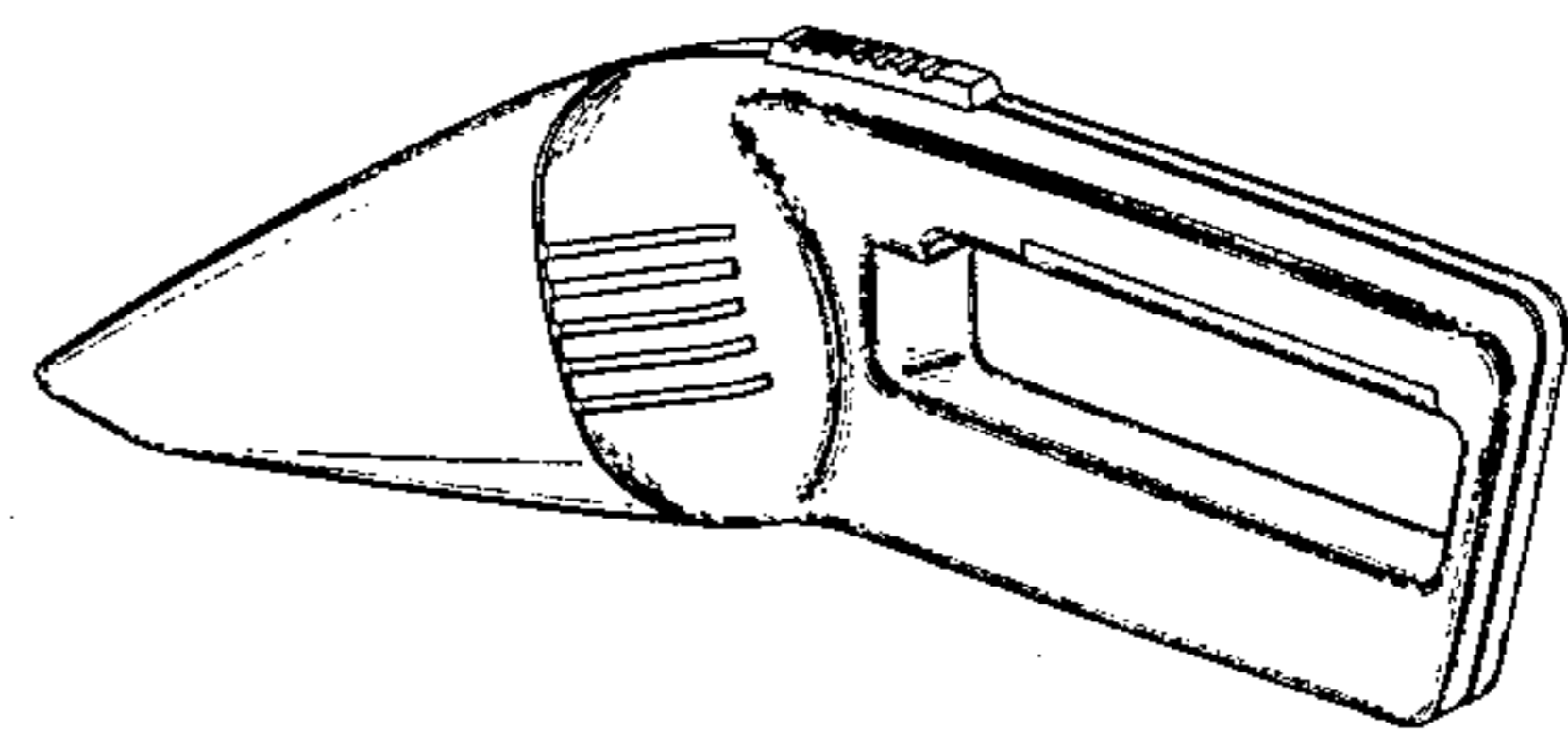
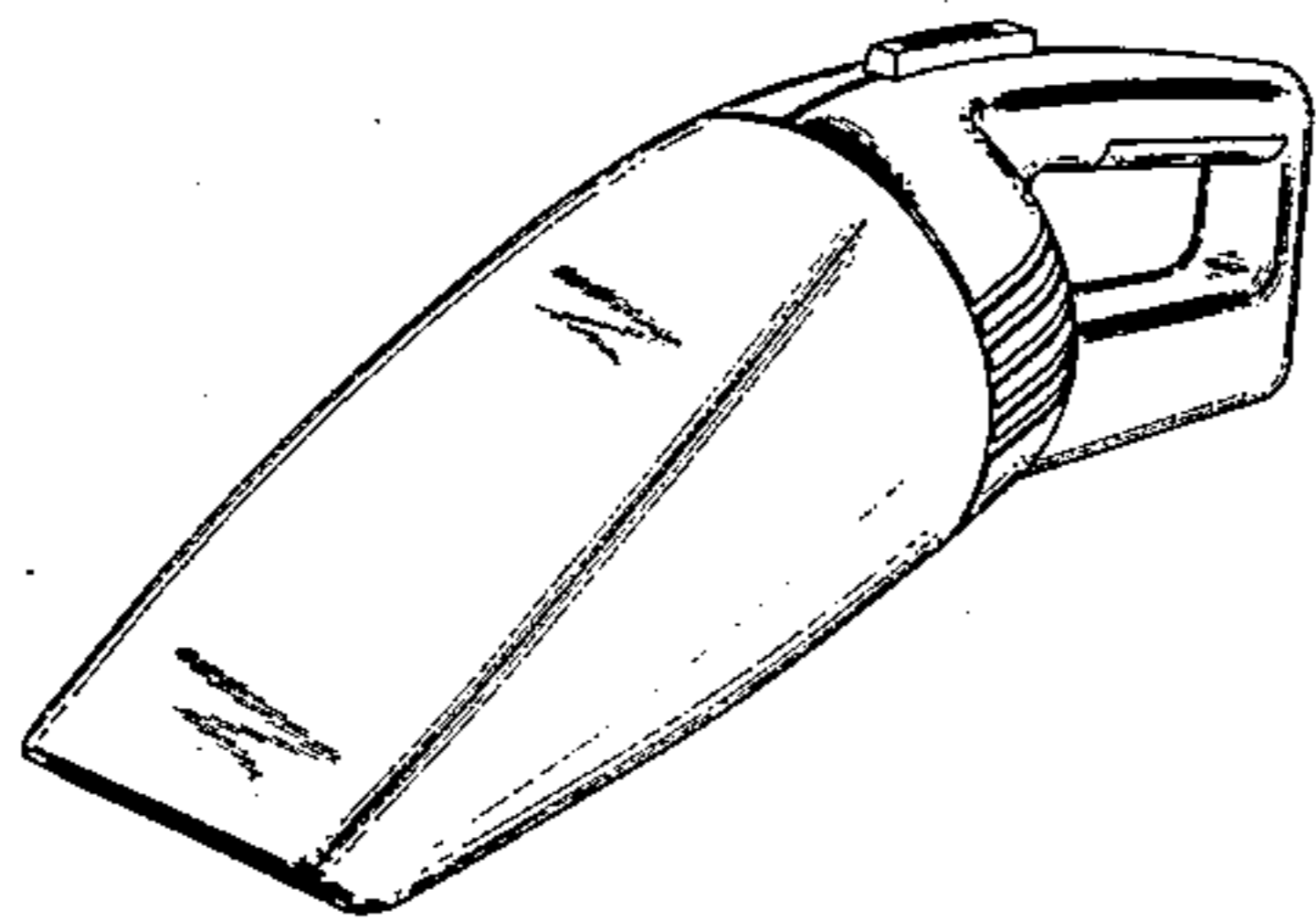


FIG. 1

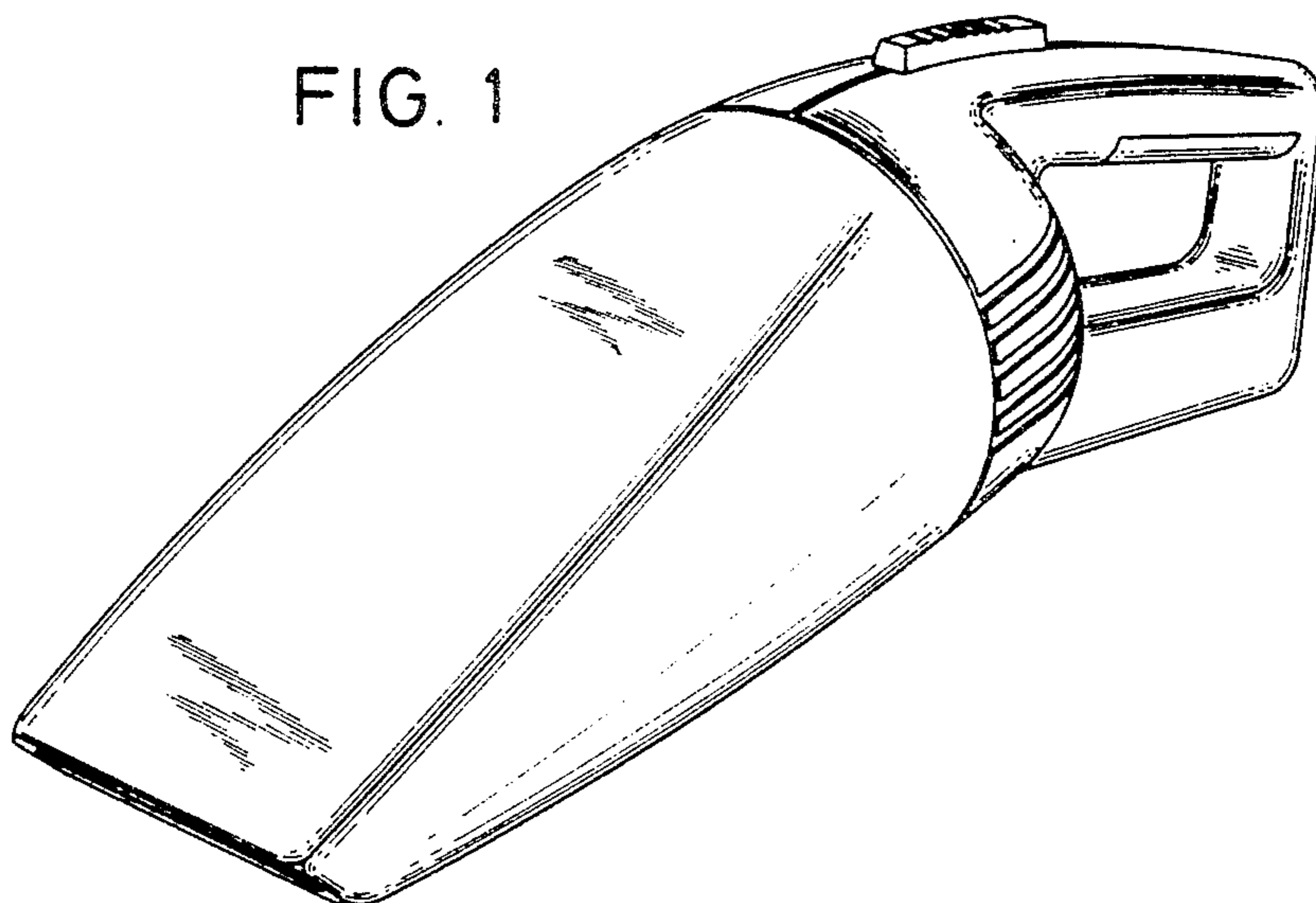


FIG. 2

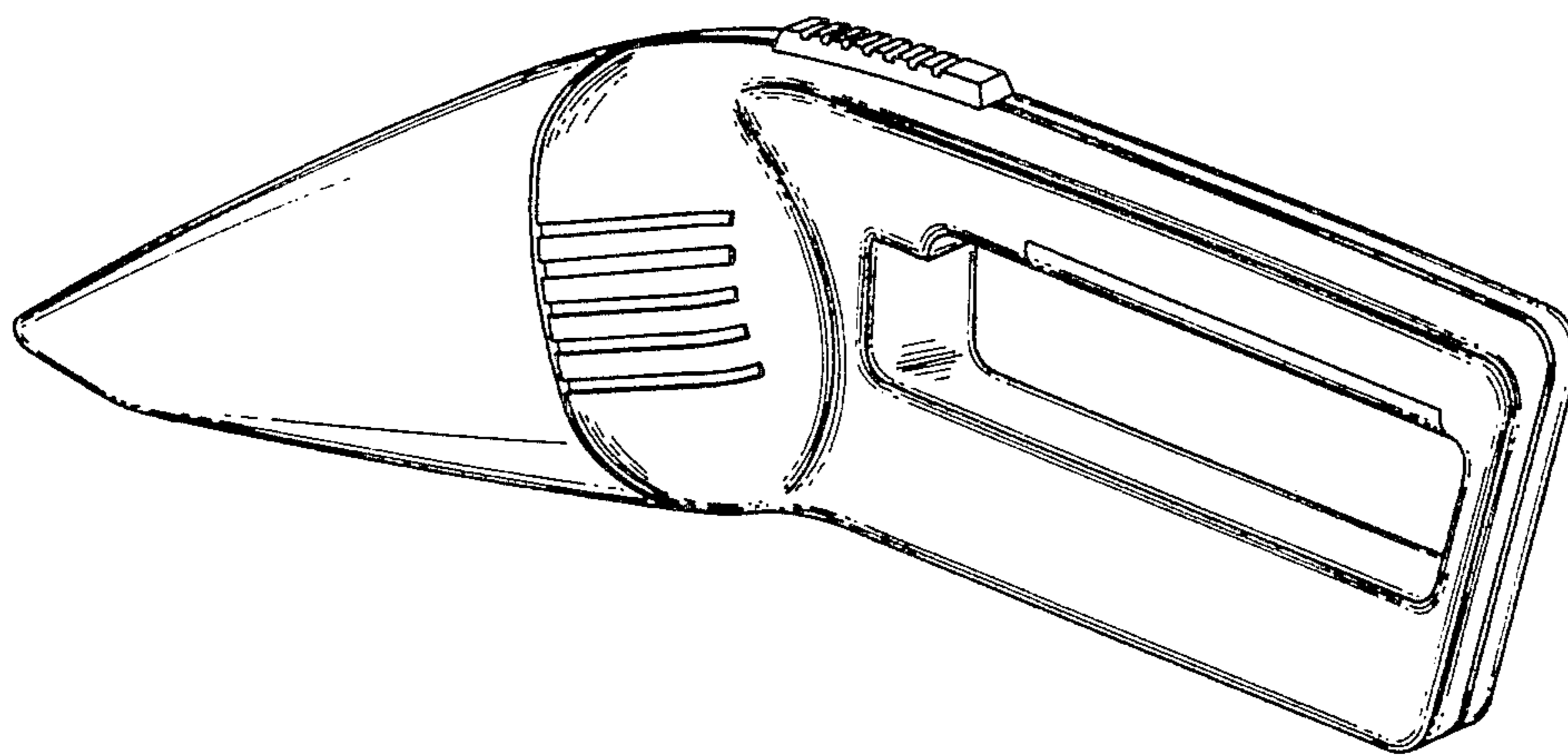


FIG. 3

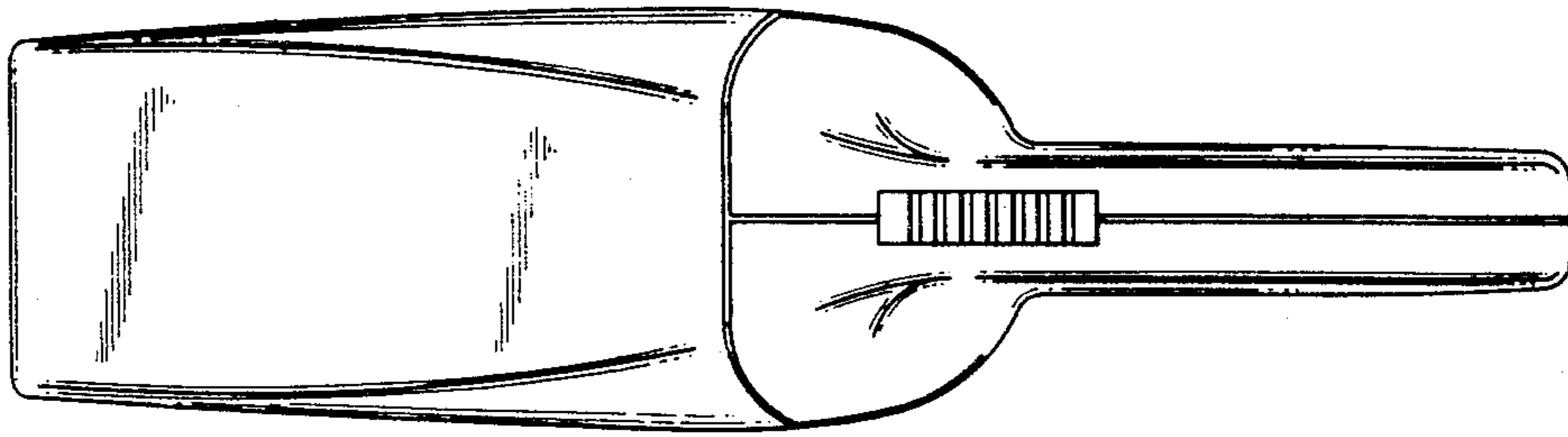


FIG. 4

