

[54] **COMPARTMENTAL MEDICINE DISPENSER**

[75] Inventor: **John T. McLaughlin**, Glendale, Calif.

[73] Assignee: **Macma Incorporated**, Costa Mesa, Calif.

[**] Term: **14 Years**

[21] Appl. No.: **446,340**

[22] Filed: **Dec. 2, 1982**

[52] U.S. Cl. **D24/31**

[58] Field of Search **D24/31, 8, 29; 206/500, 206/570, 538, 539; 116/308**

3,638,603 2/1972 Conover 116/308
 3,703,955 11/1972 Inacker 206/538 X
 4,372,445 2/1983 Keffeler 206/538 X

Primary Examiner—A. Hugo Word
Assistant Examiner—R. C. Anderson
Attorney, Agent, or Firm—Ralph B. Pastoriza

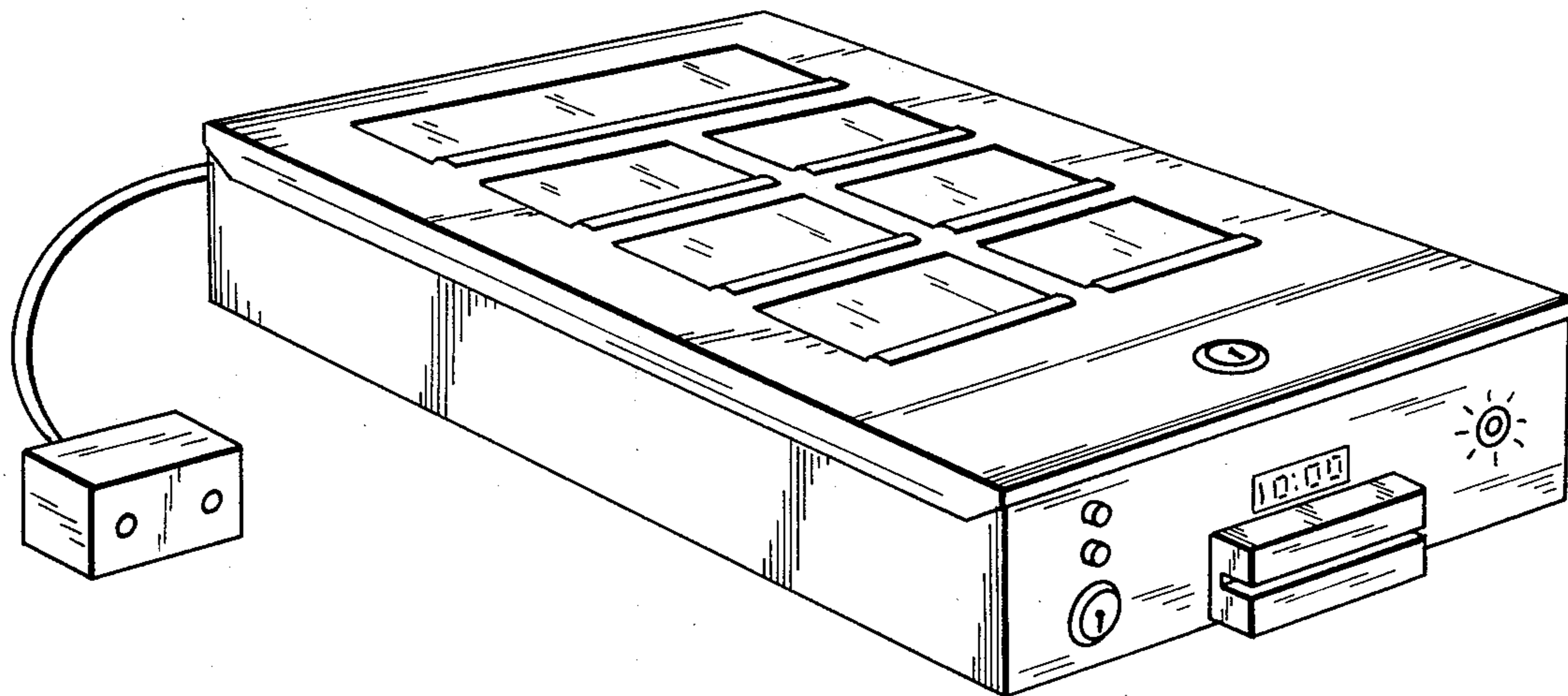
[57] **CLAIM**

The ornamental design for a compartmental medicine dispenser, substantially as shown.

DESCRIPTION

FIG. 1 is a perspective view of a compartmental medicine dispenser showing my new design;
 FIG. 2 is a side elevational view thereof showing the side not visible in FIG. 1;
 FIG. 3 is a front elevational view thereof;
 FIG. 4 is a top plan view thereof;
 FIG. 5 is a bottom plan view thereof; and,
 FIG. 6 is a rear elevational view thereof.

[56] **References Cited**
U.S. PATENT DOCUMENTS
 3,618,559 11/1971 Moe 206/538 X
 3,627,122 12/1971 Garbe, Jr. 116/308 X



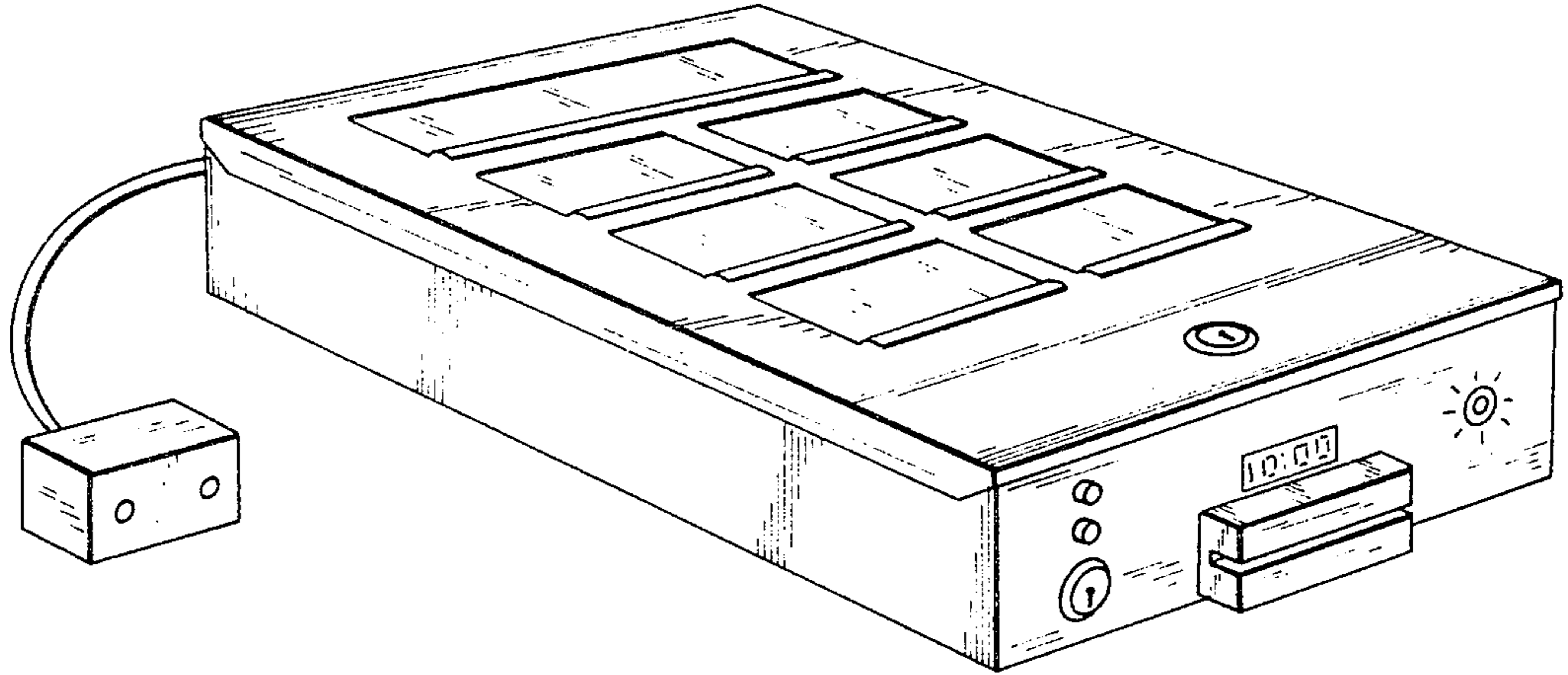


FIG. 1

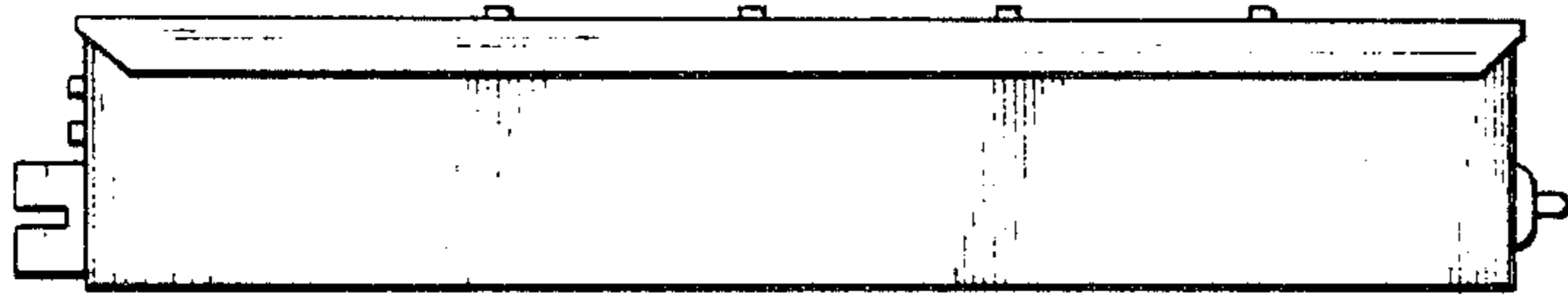


FIG. 2

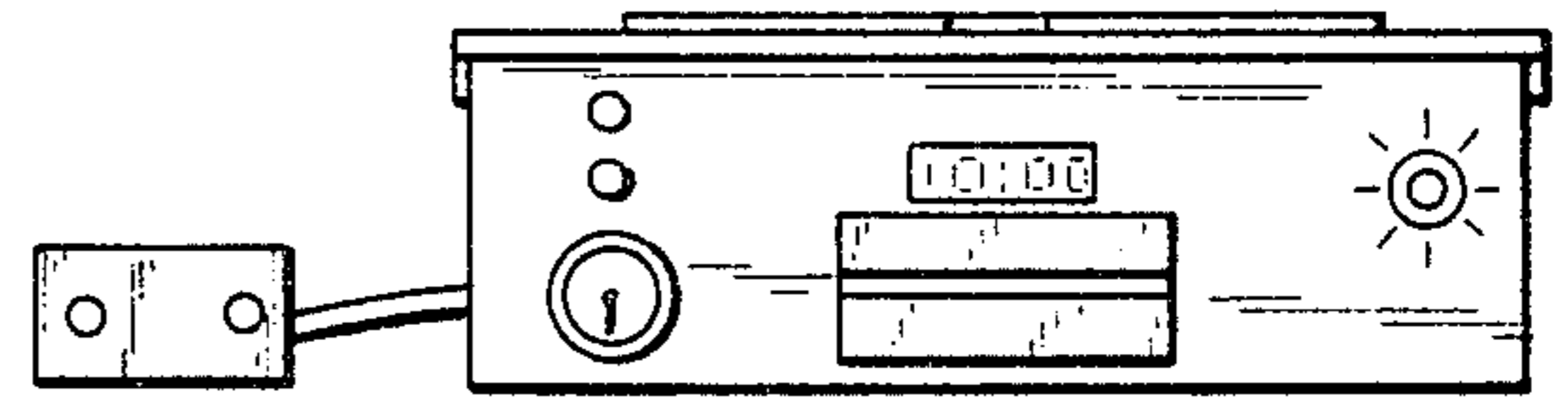


FIG. 3

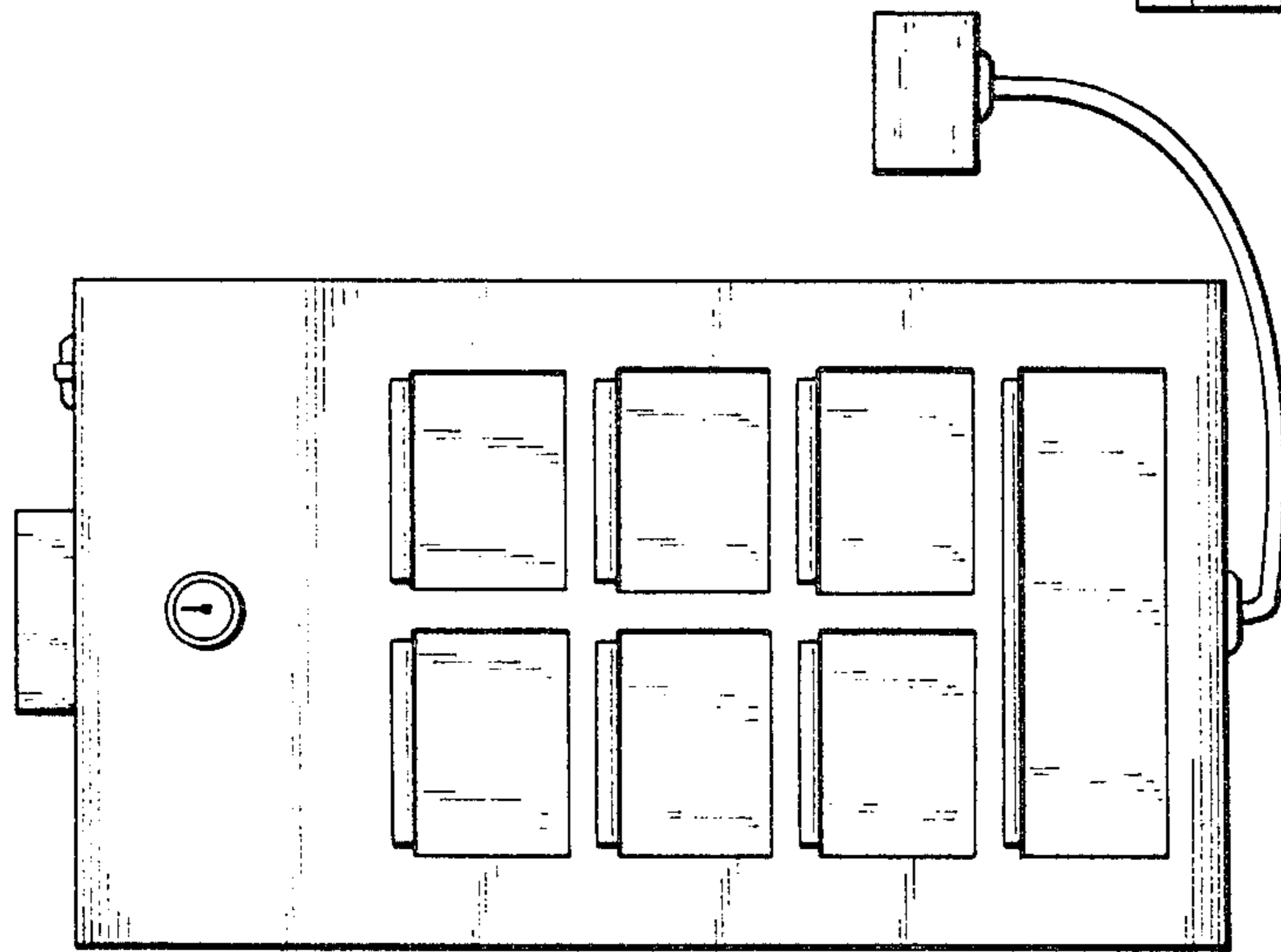


FIG. 4

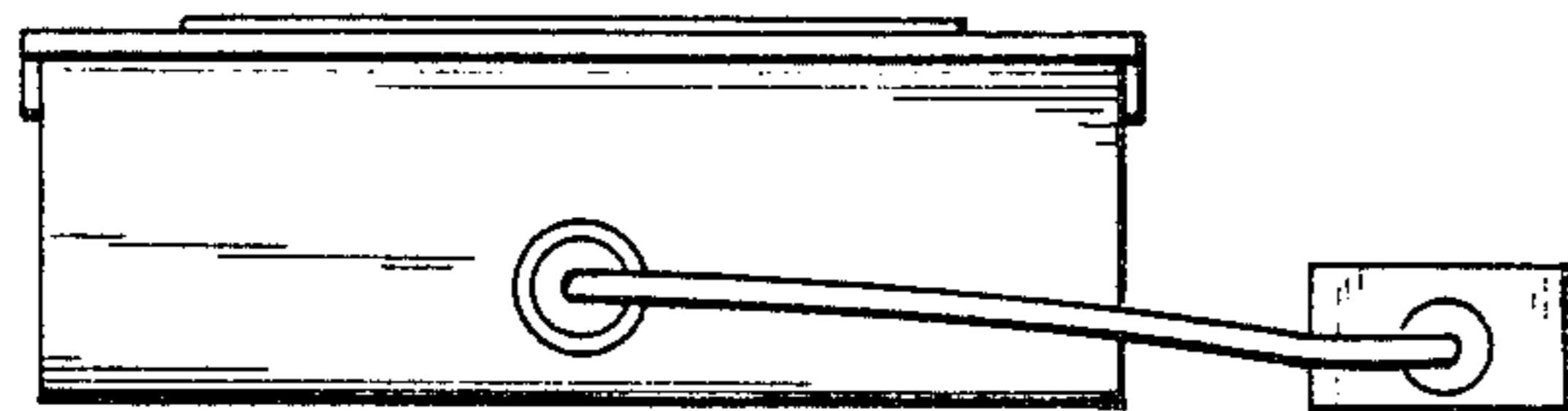


FIG. 6

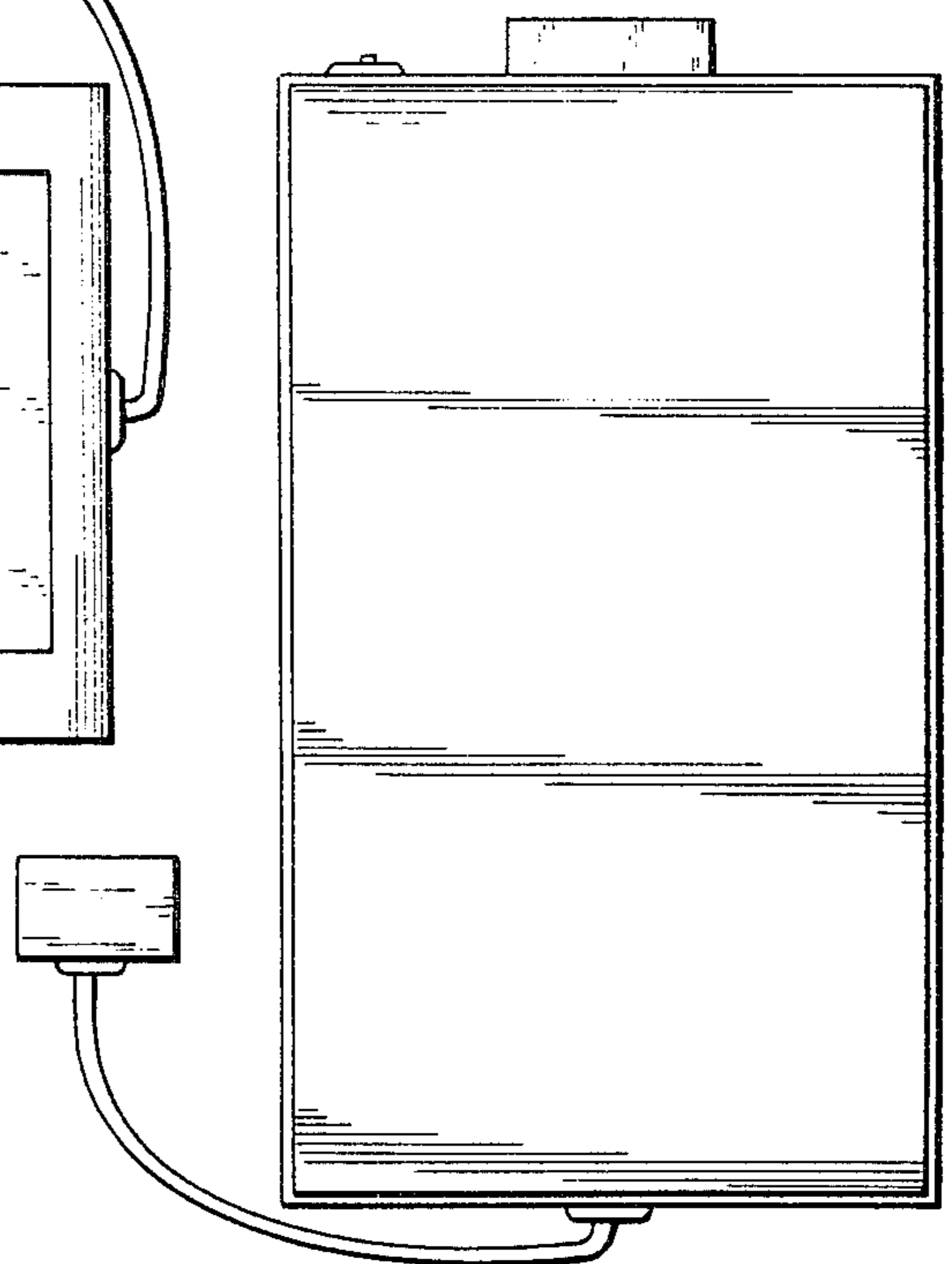


FIG. 5