

[54] CASE FOR A MULTIPLICITY OF LIQUID SAMPLE CONTAINERS FOR A MULTITEST CHEMISTRY ANALYZER

[75] Inventor: Noboru Takasugi, Tokyo, Japan

[73] Assignee: Olympus Optical Co., Ltd., Japan

[**] Term: 14 Years

[21] Appl. No.: 433,267

[22] Filed: Oct. 7, 1982

[30] Foreign Application Priority Data

Apr. 10, 1982 [JP] Japan 57-15434

[52] U.S. Cl. D24/31

[58] Field of Search D24/31, 99, 25, 34, D24/36, 52, 38, 53, 8, 17, 29; 206/364, 366, 447, 562, 563, 564, 566, 368, 380, 588, 370, 456; 220/20; 422/101, 102, 104, 65, 99; 356/246; 436/48

[56] References Cited

U.S. PATENT DOCUMENTS

- Re. 30,627 5/1981 Bagshawe et al. 436/48
- D. 230,587 3/1974 Praglin et al. D24/17
- 3,390,783 5/1966 Quackenbush, Jr. 356/246

4,178,345 12/1979 Turk 356/246

FOREIGN PATENT DOCUMENTS

5536479 10/1981 Japan 422/102

Primary Examiner—A. Hugo Word
Attorney, Agent, or Firm—Parkhurst & Oliff

[57] CLAIM

The ornamental design for a case for a multiplicity of liquid sample containers for a multitest chemistry analyzer, as shown.

DESCRIPTION

FIG. 1 is a front elevational view of a case for a multiplicity of liquid sample containers for a multitest chemistry analyzer showing my new design;
 FIG. 2 is a rear view of the case;
 FIG. 3 is a top plan view of the case;
 FIG. 4 is a bottom view of the case;
 FIG. 5 is a left end view of the case;
 FIG. 6 is a right end view of the case;
 FIG. 7 is a cross-sectional view of the case taken along line 7—7 through FIG. 3;
 FIG. 8 is a cross-sectional view of the case taken along line 8—8 through FIG. 1; and
 FIG. 9 is a perspective view of the case from above and left end.

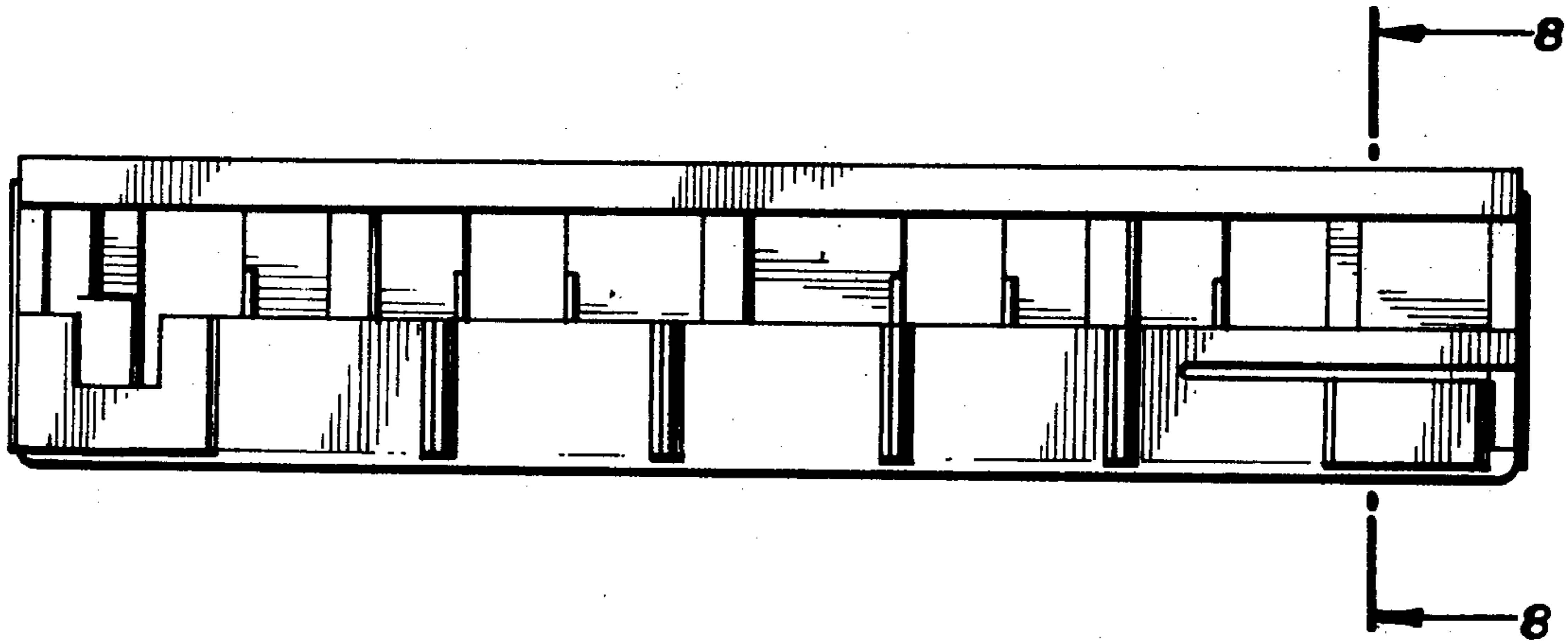


FIG. 1

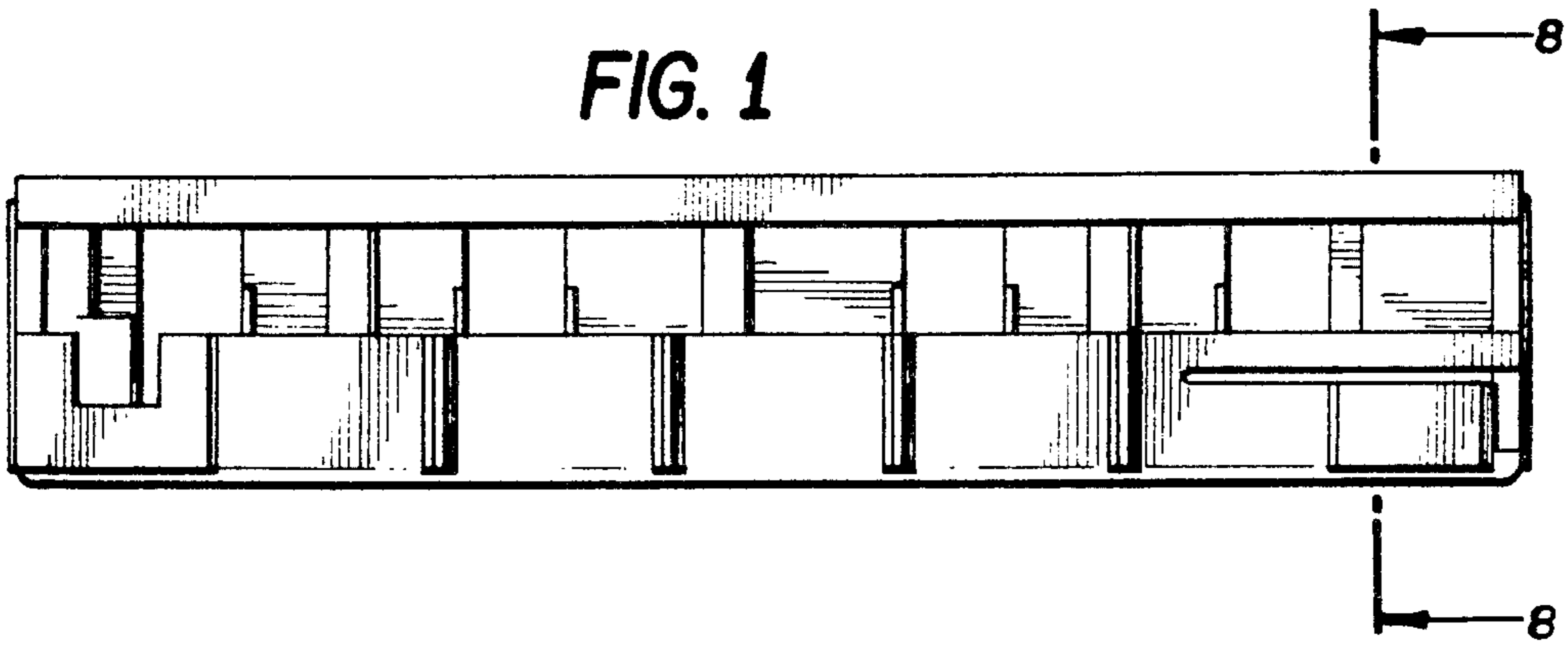


FIG. 2

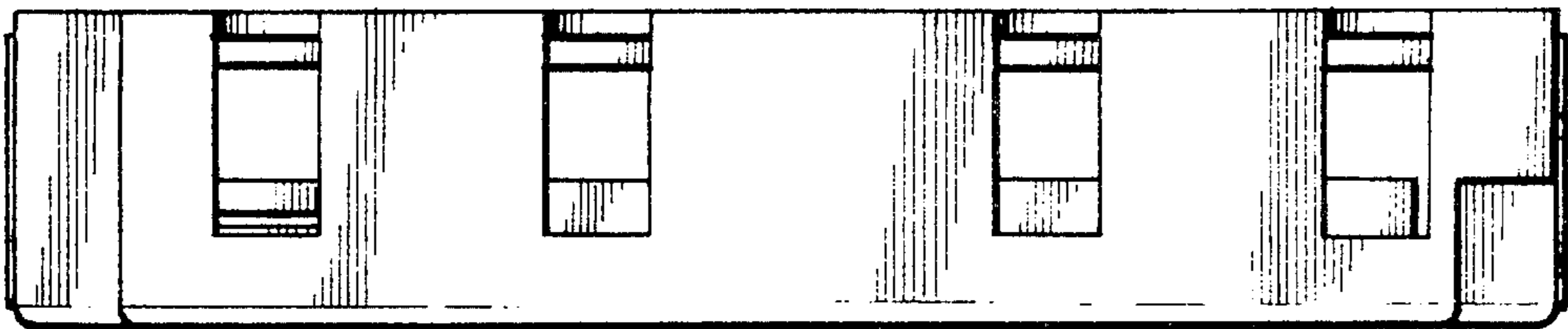


FIG. 3

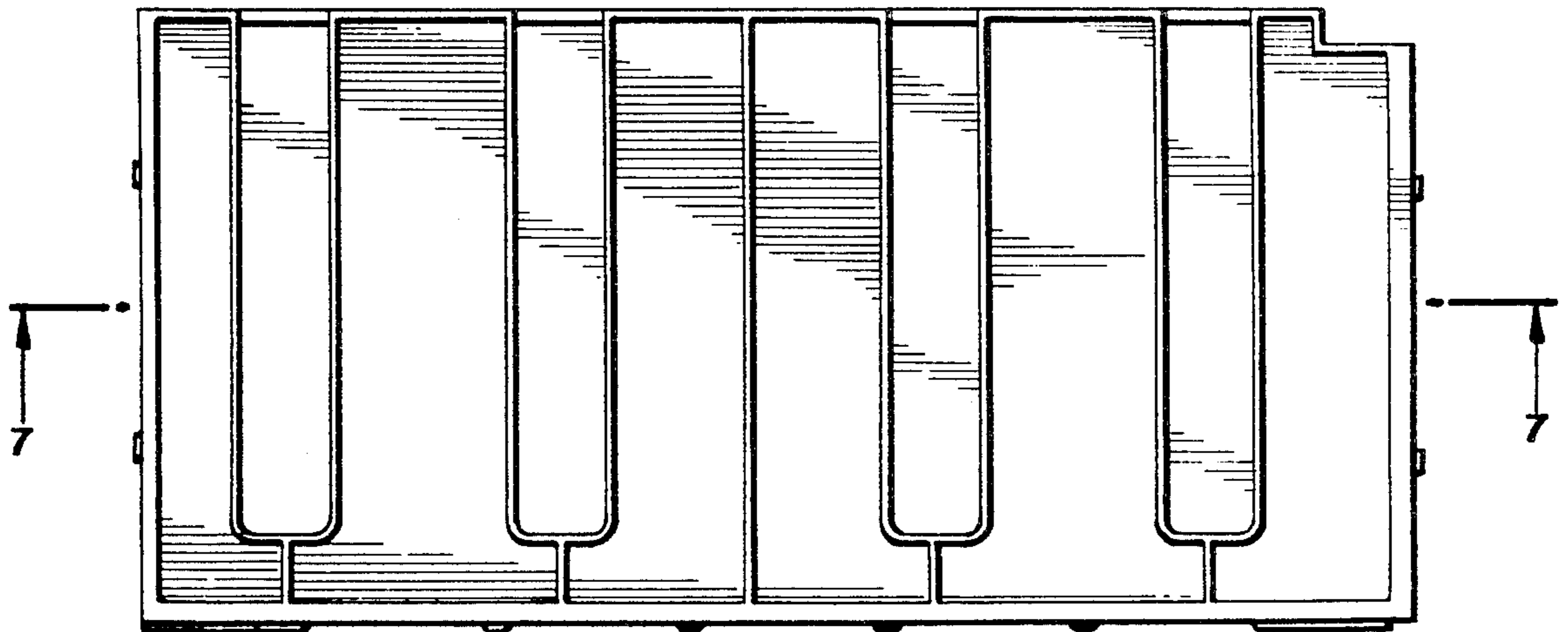


FIG. 4

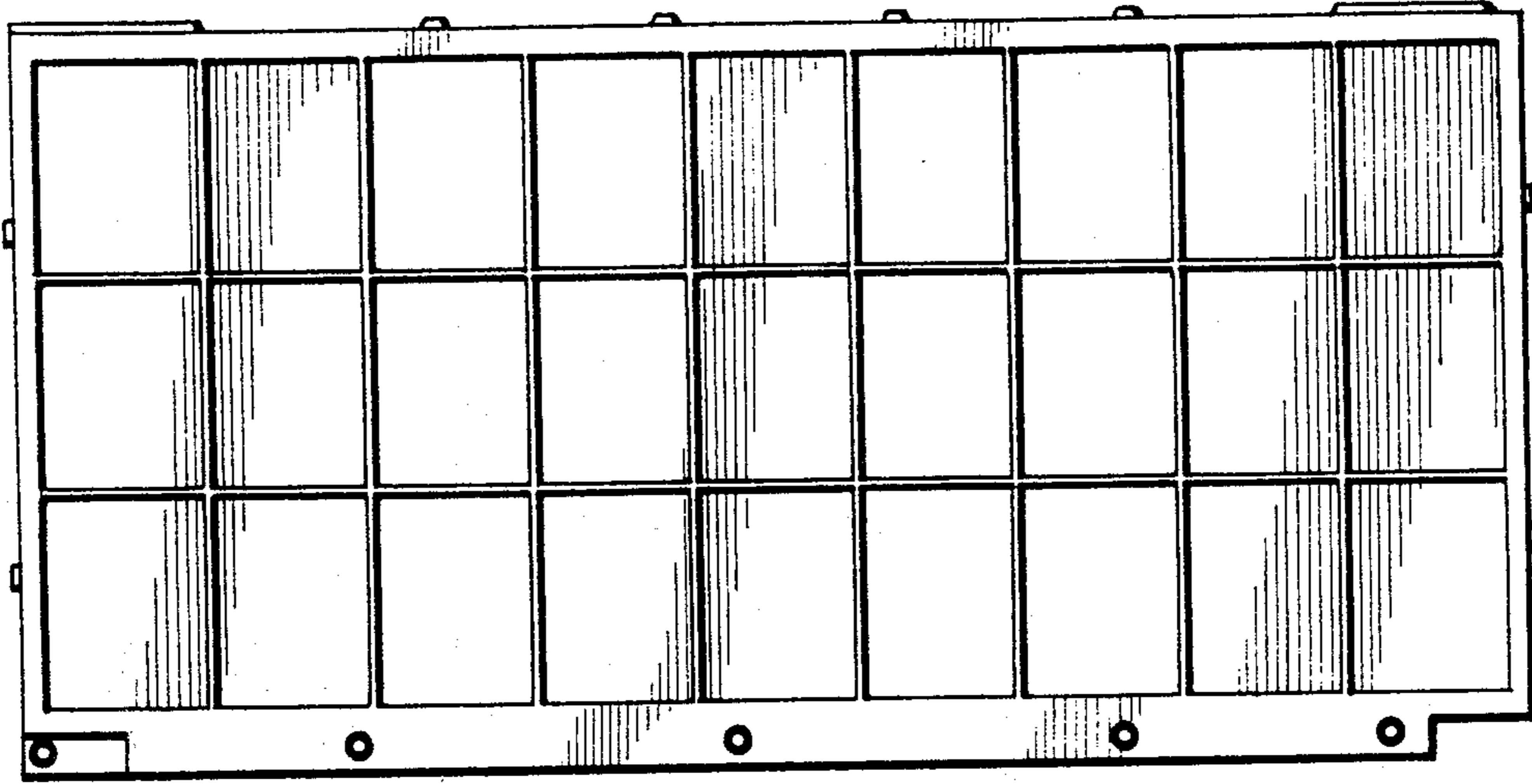


FIG. 5

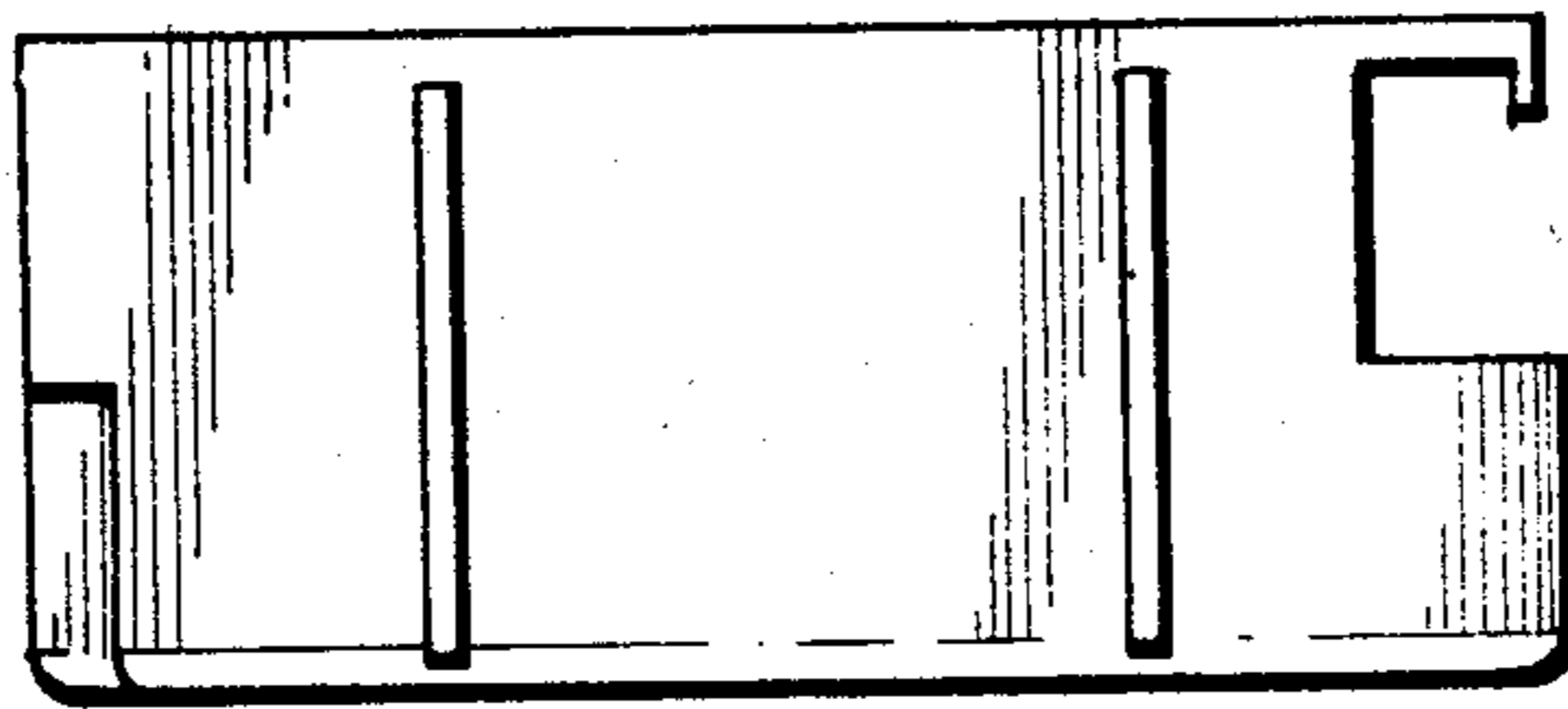


FIG. 6

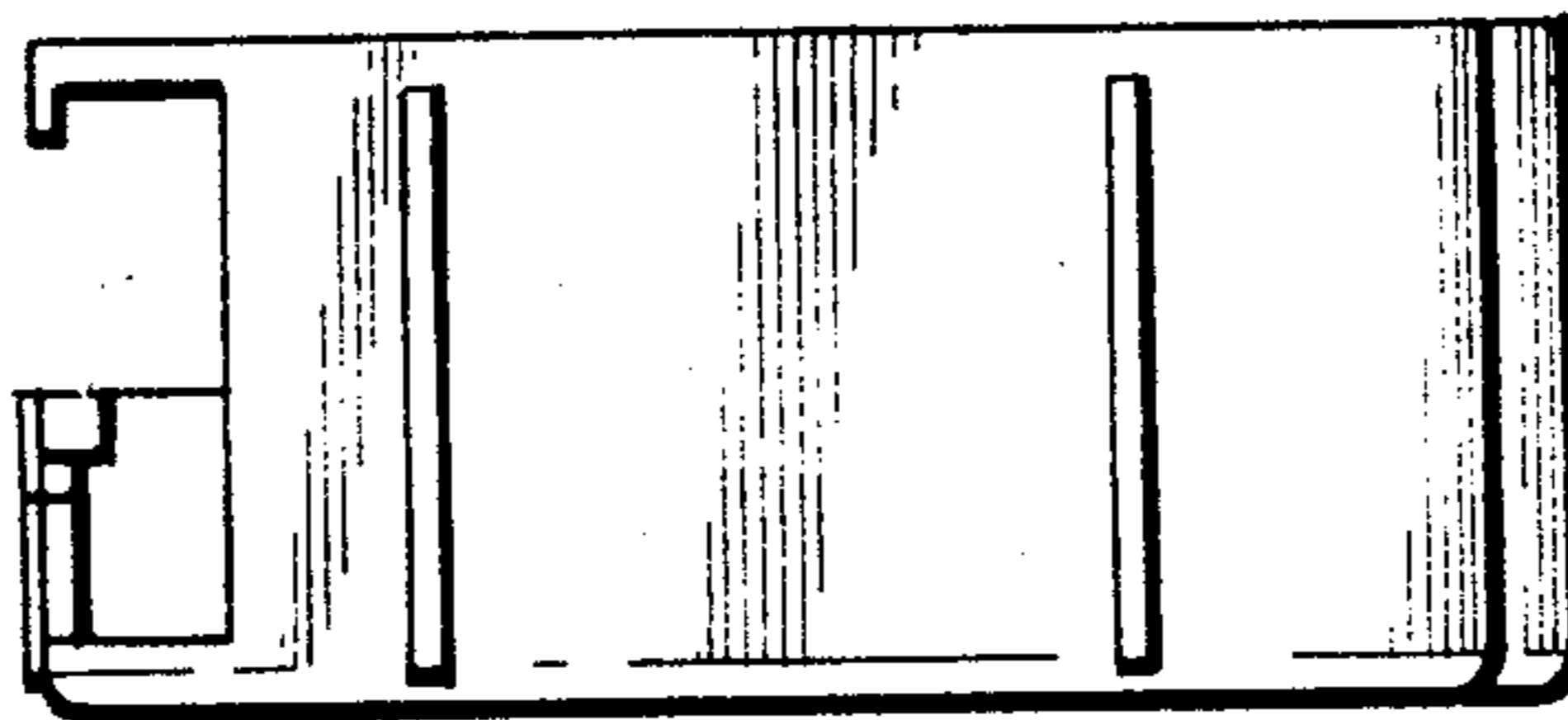


FIG. 7

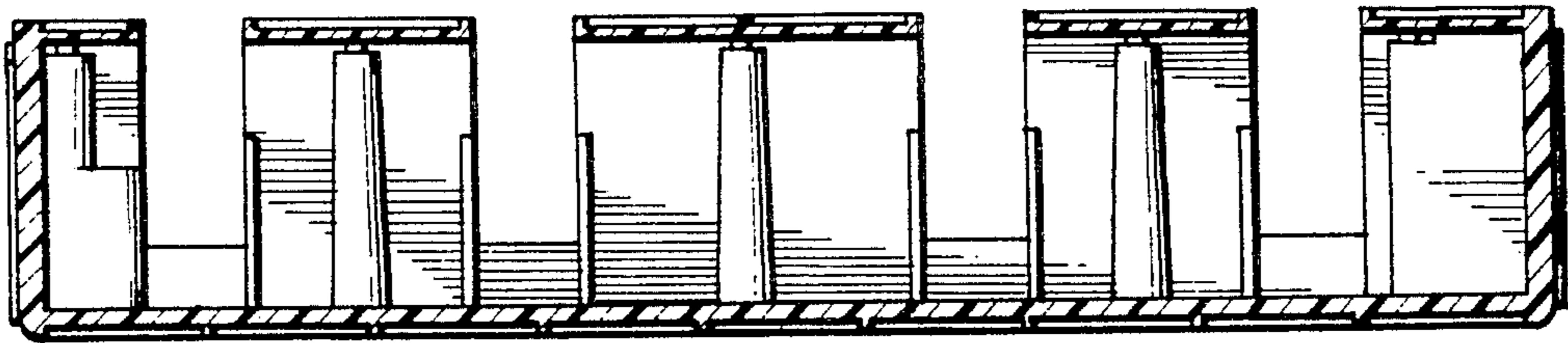
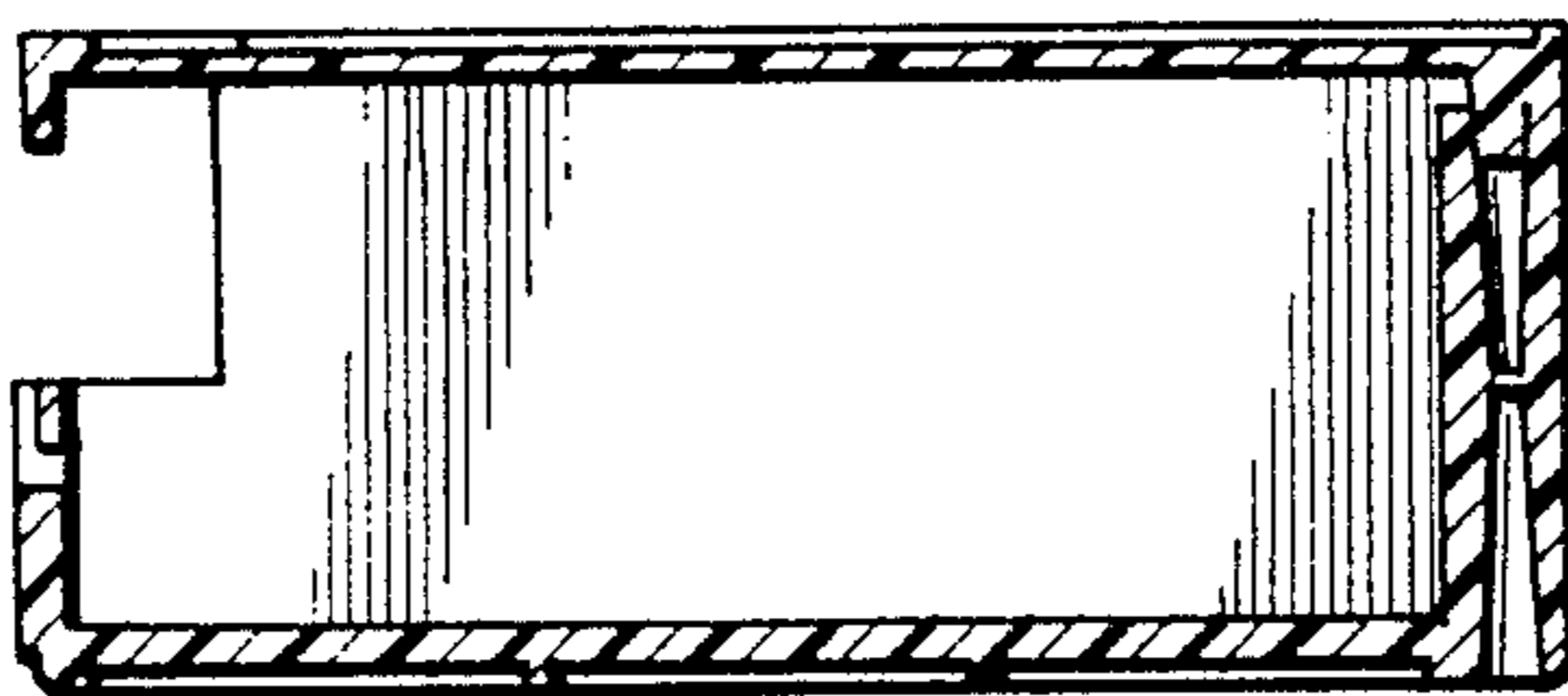


FIG. 8



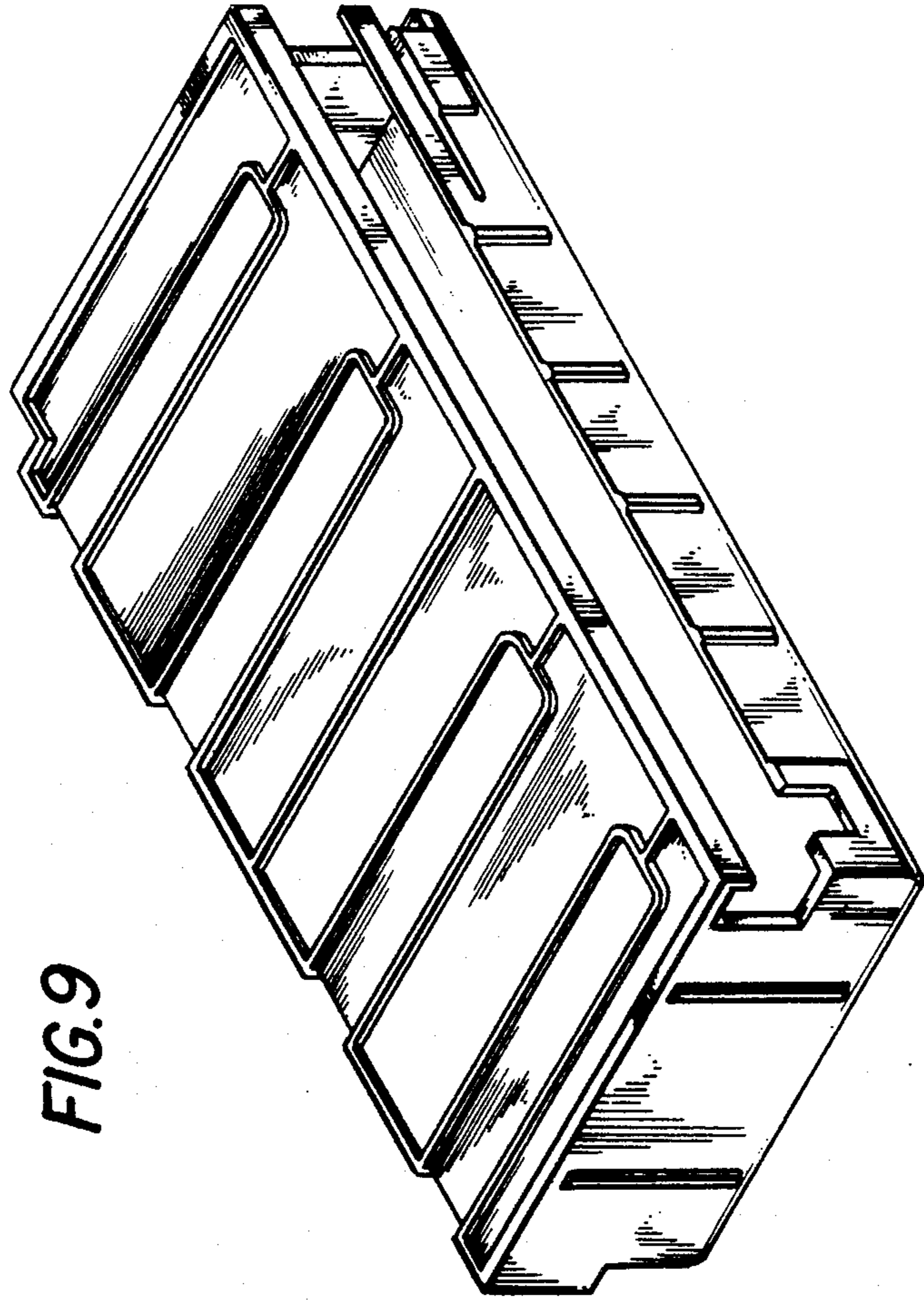


FIG. 9