

United States Patent [19]

Harkins et al.

[11] Patent Number: **Des. 280,130**

[45] Date of Patent: **** Aug. 13, 1985**

[54] **MAGNETIC SEPARATOR**

[75] Inventors: **Jack R. Harkins, Hollis; Henry J. Rahn, Sharon; David E. Roche, Nashua, all of N.H.**

[73] Assignee: **Corning Glass Works, Corning, N.Y.**

[**] Term: **14 Years**

[21] Appl. No.: **531,162**

[22] Filed: **Sep. 9, 1983**

[52] U.S. Cl. **D24/21; D24/22**

[58] Field of Search **D15/147; 422/101; 210/695, 222; 436/526, 806, 808, 824; D24/21, 22**

[56] **References Cited**

U.S. PATENT DOCUMENTS

D. 242,154 11/1976 Goy D24/21

4,057,148 11/1977 Meyer et al. 436/808
4,130,471 12/1978 Frosch et al. 436/808
4,438,068 3/1984 Forrest 436/526

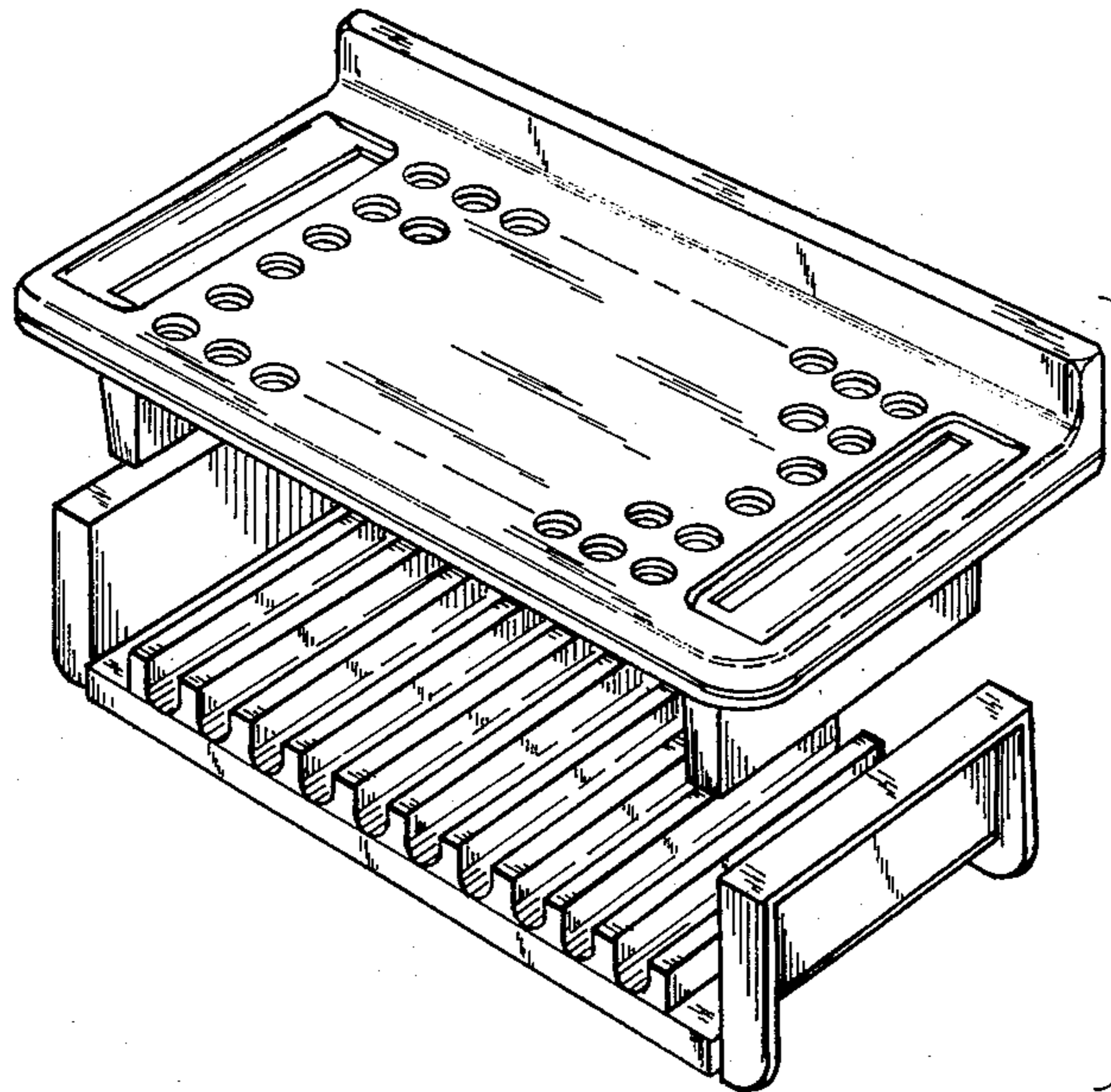
Primary Examiner—B. J. Bullock
Attorney, Agent, or Firm—Burton R. Turner

[57] **CLAIM**

The ornamental design for a magnetic separator, as shown and described.

DESCRIPTION

FIG. 1 is a perspective view of a magnetic separator showing our new design;
FIG. 2 is an exploded perspective view thereof;
FIG. 3 is a top plan view thereof;
FIG. 4 is a front elevational view thereof;
FIG. 5 is a side elevational view thereof, the opposite side being a mirror image thereof;
FIG. 6 is a rear elevational view thereof; and
FIG. 7 is a bottom plan view thereof.



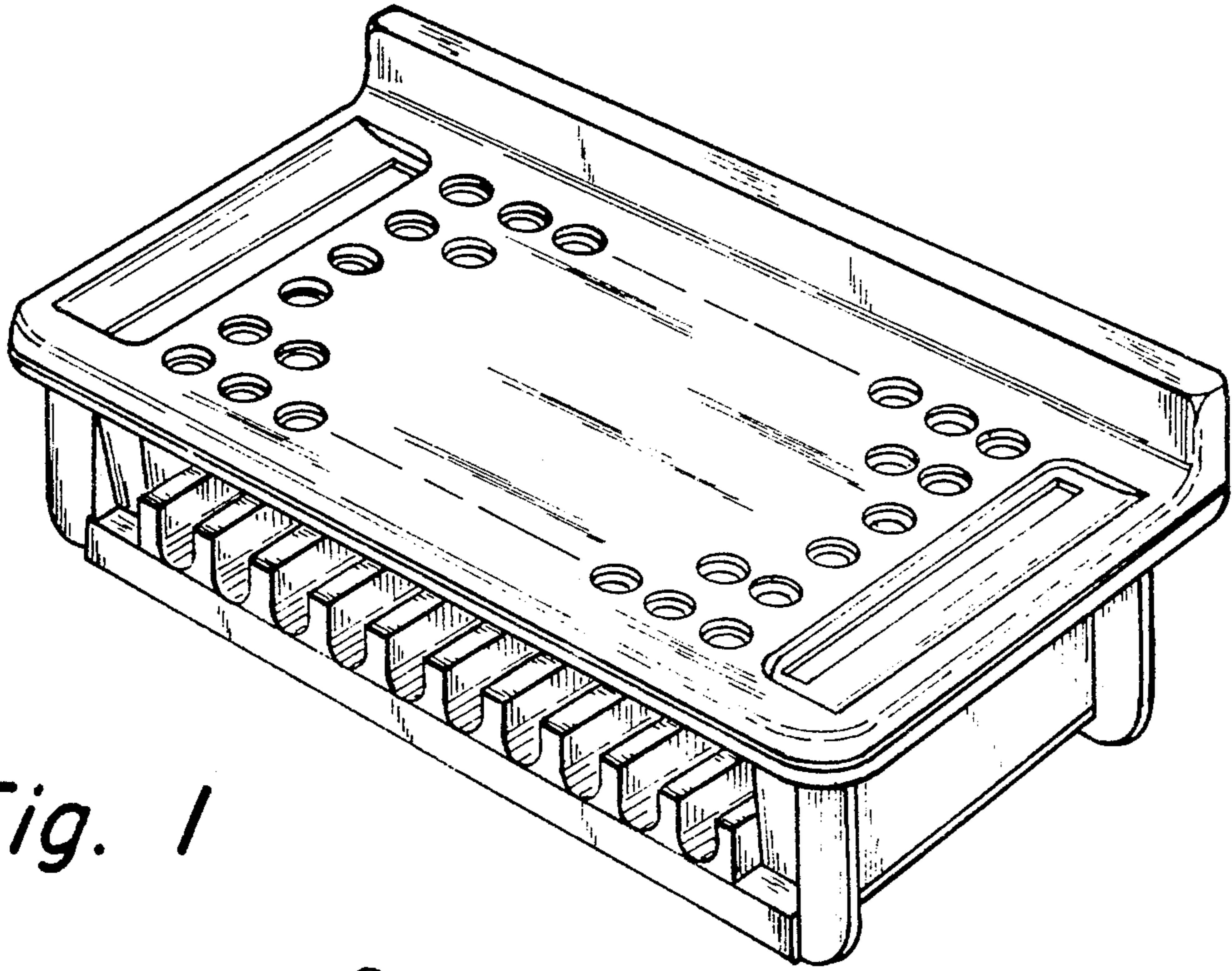


Fig. 1

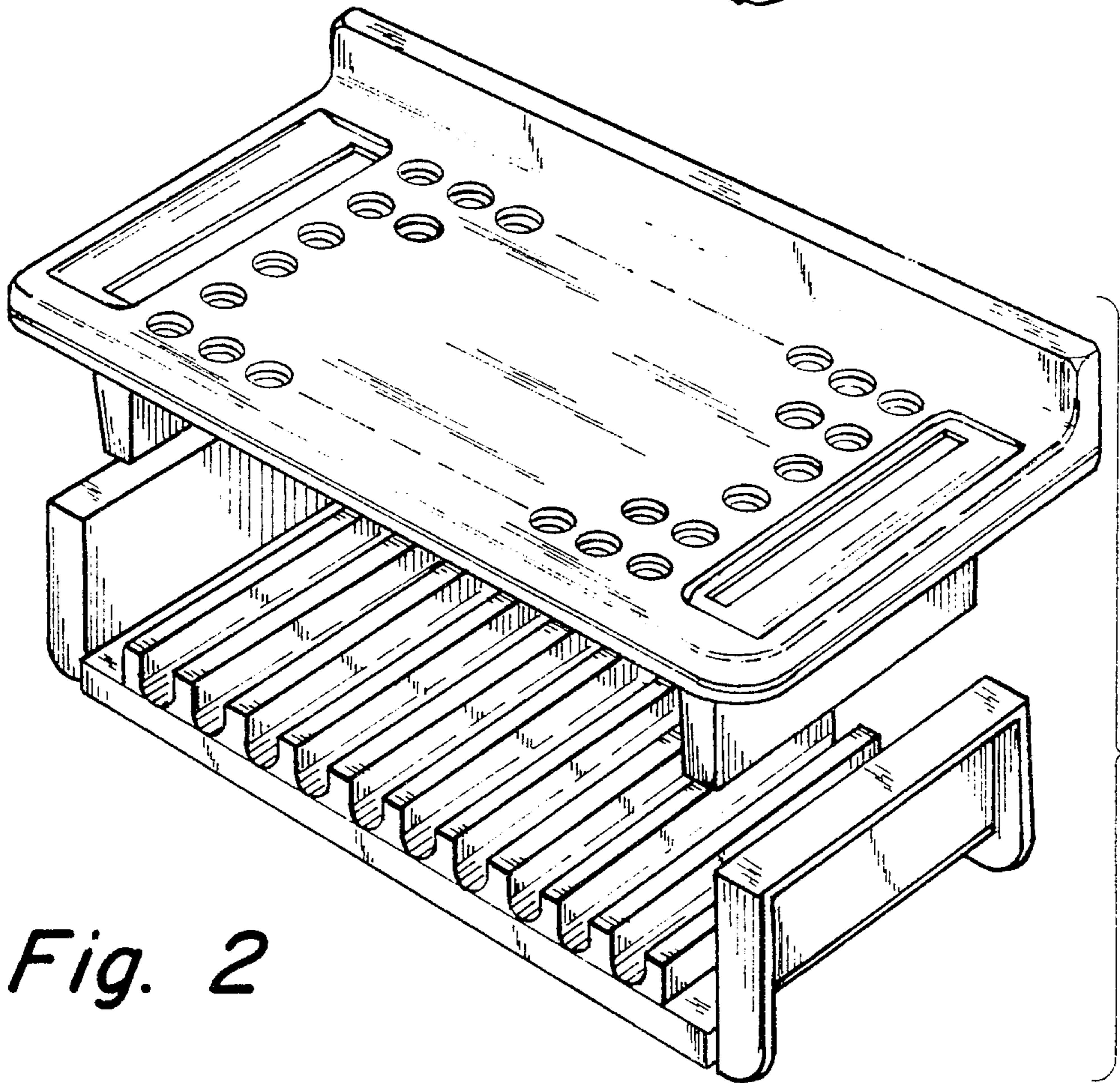


Fig. 2

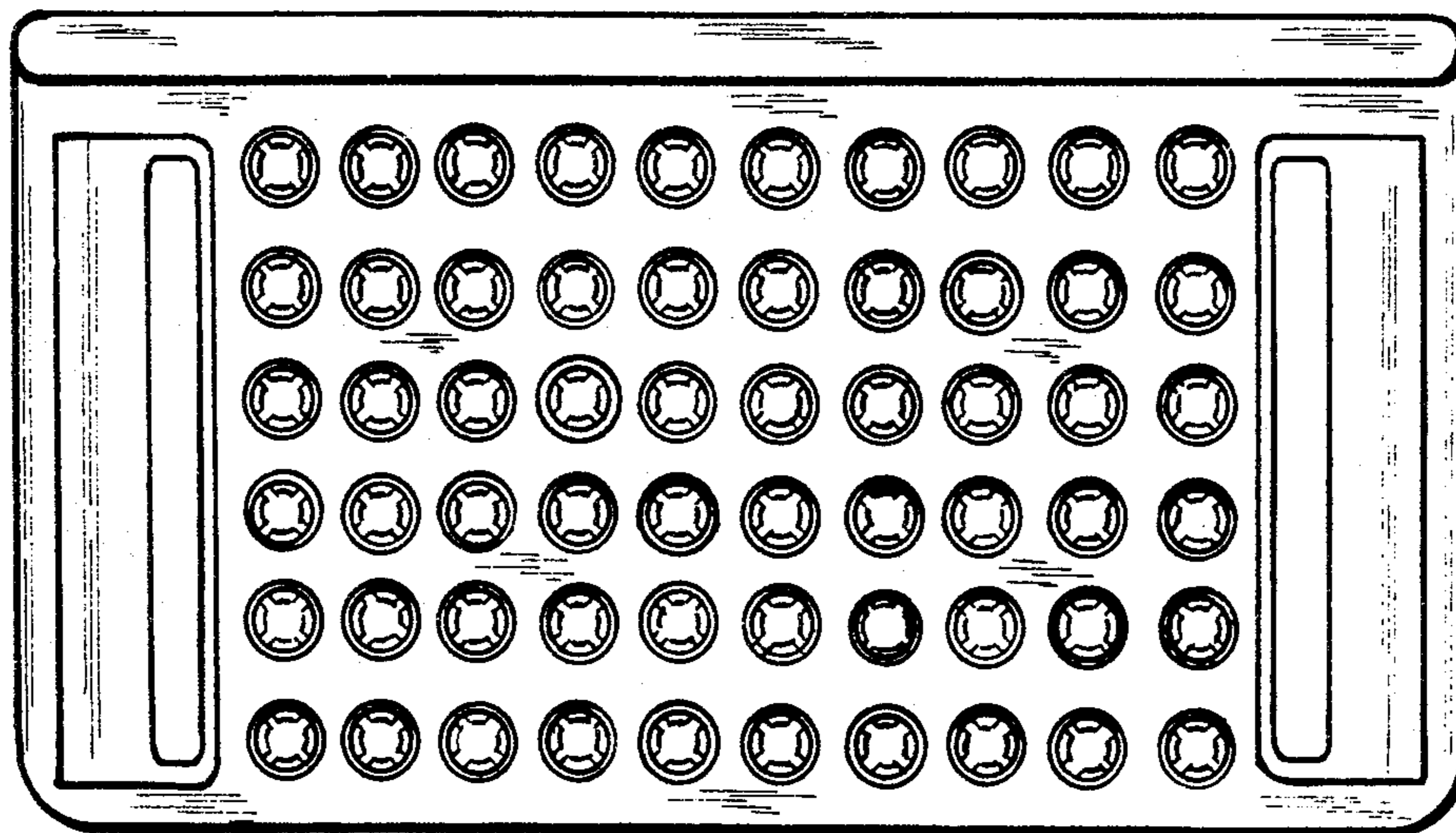


Fig. 3

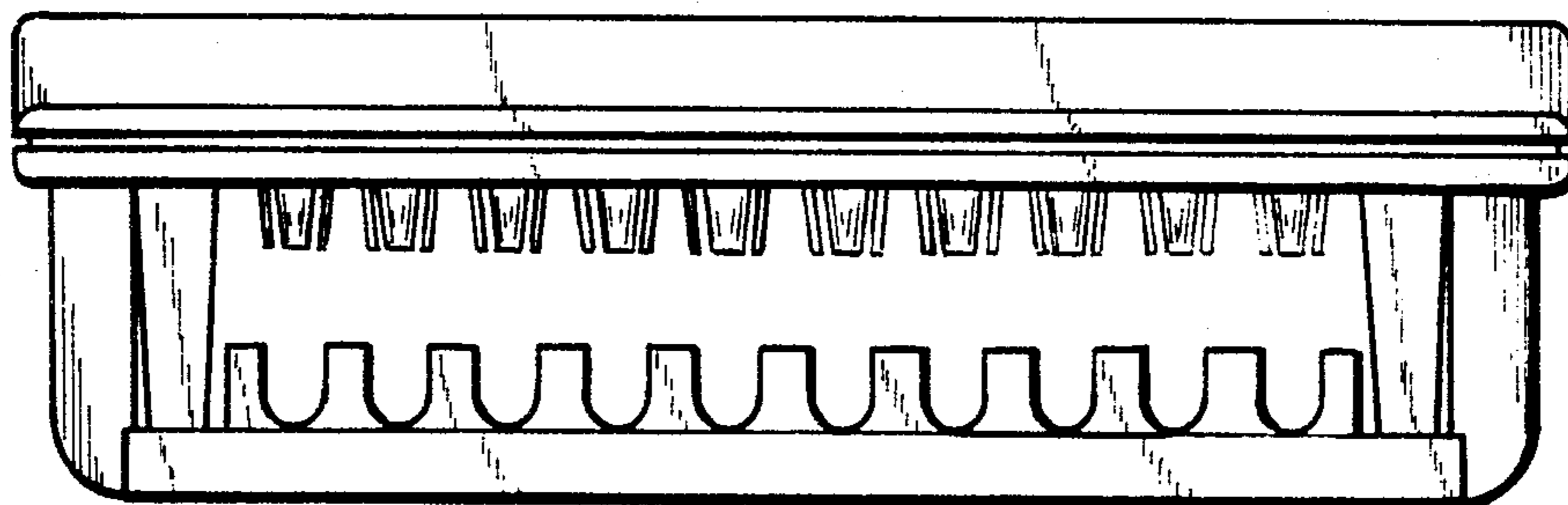


Fig. 4

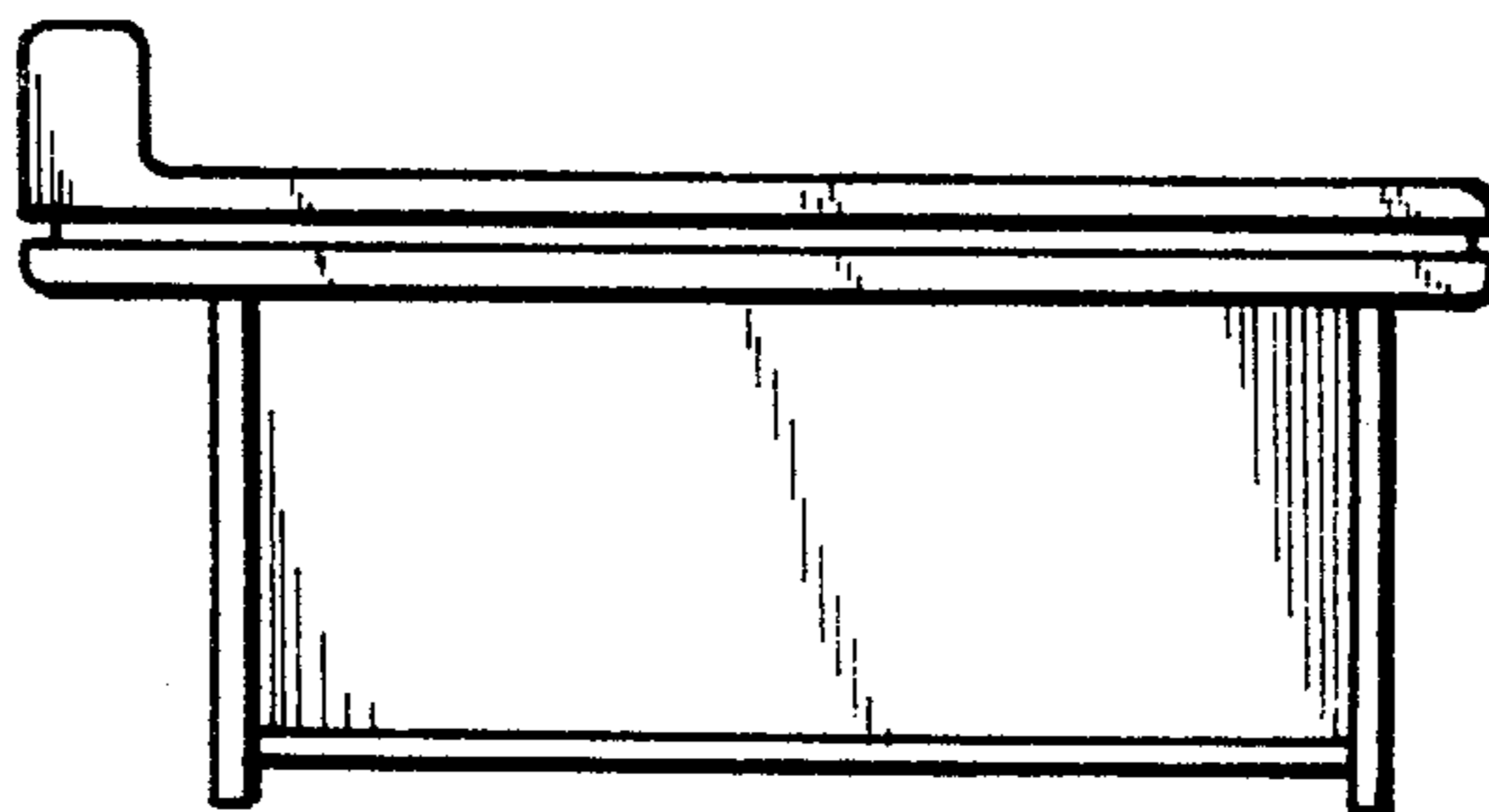


Fig. 5

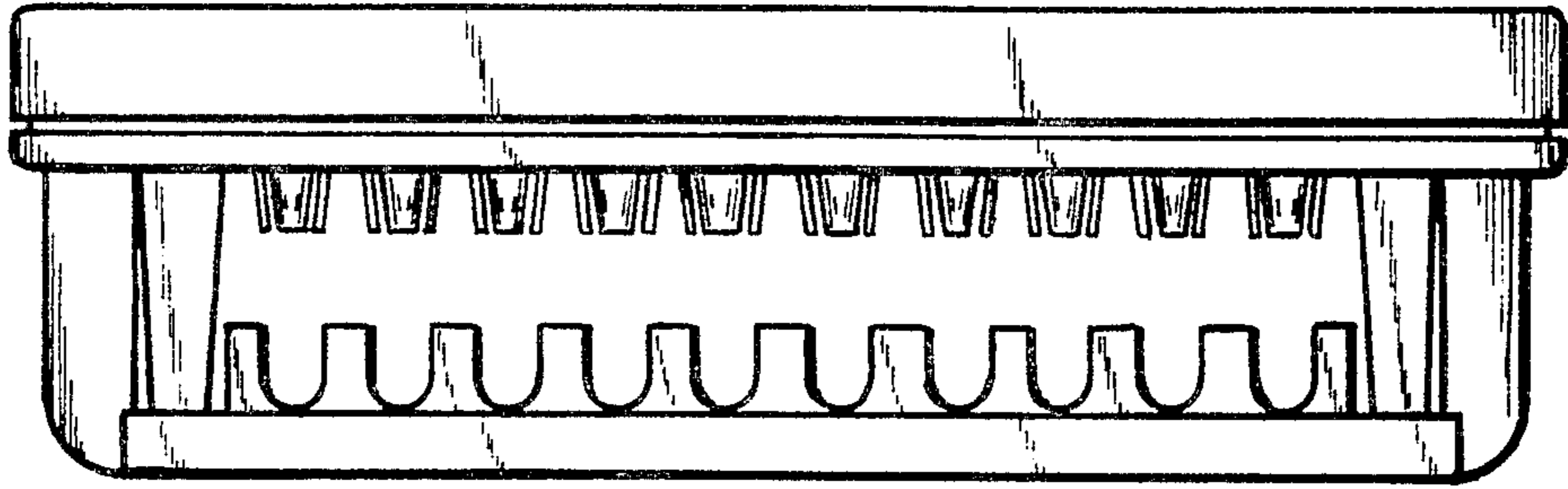


Fig. 6

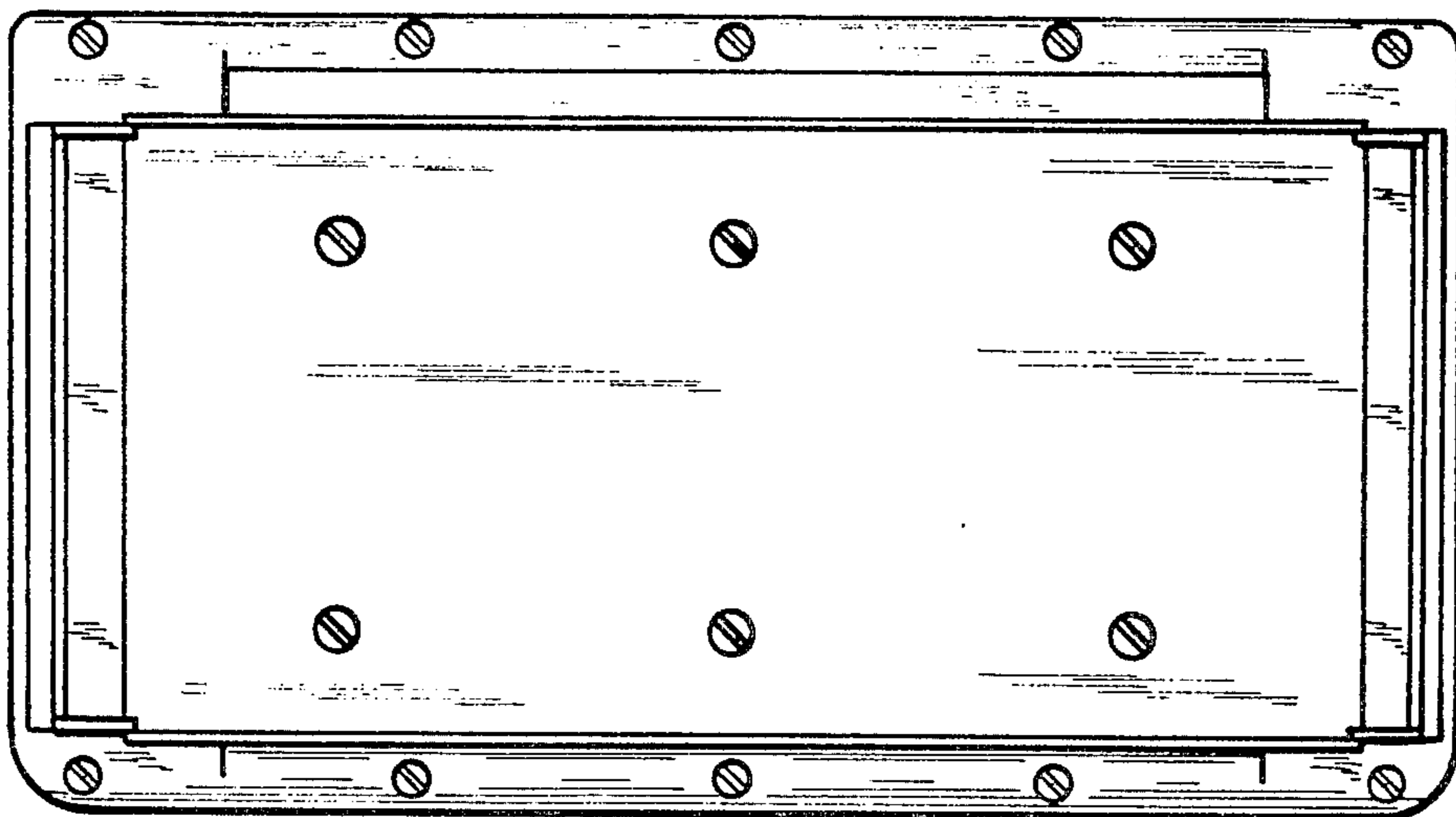


Fig. 7