

United States Patent [19]

Syme et al.

[11] Patent Number: **Des. 280,127**

[45] Date of Patent: **** Aug. 13, 1985**

[54] FIREPLACE FRONT

4,465,055 8/1984 Bortz 126/123

[75] Inventors: **Duncan C. Syme, Norwich; Vance R. Smith, Randolph, both of Vt.**

[73] Assignee: **Vermont Castings, Inc., Randolph, Vt.**

[**] Term: **14 Years**

[21] Appl. No.: **493,665**

[22] Filed: **May 11, 1983**

[52] U.S. Cl. **D23/128; D23/138.1**

[58] Field of Search **D23/93-97, D23/128, 138.1; 126/120, 121, 123, 126, 138-140, 190, 200, 202; 52/36**

[56] **References Cited**

U.S. PATENT DOCUMENTS

D. 83,065	1/1931	Simons et al.	D23/94
D. 263,619	3/1982	Schwartz	D23/95
D. 269,036	5/1983	Bortz	D23/128
D. 269,037	5/1983	Bortz	D23/128
D. 269,038	5/1983	Bortz	D23/128

OTHER PUBLICATIONS

Fireplace Mantel Shop, Inc., Brochure—p. 2—Mantel #D-101.

Jotul Advertisement, *Wood 'n Energy*, Oct. 1983, p. 42. Product Brochure, "The Shelburne Fireplace-Stove", date-stamped Nov. 27, 1981, p. 1.

Curtis, *Antique Woodstoves, Artistry in Iron*, Star Press, 1974, p. 10.

Primary Examiner—Catherine E. Kemper

Attorney, Agent, or Firm—Kenway & Jenney

[57] **CLAIM**

The ornamental design for a fireplace front, as shown and described.

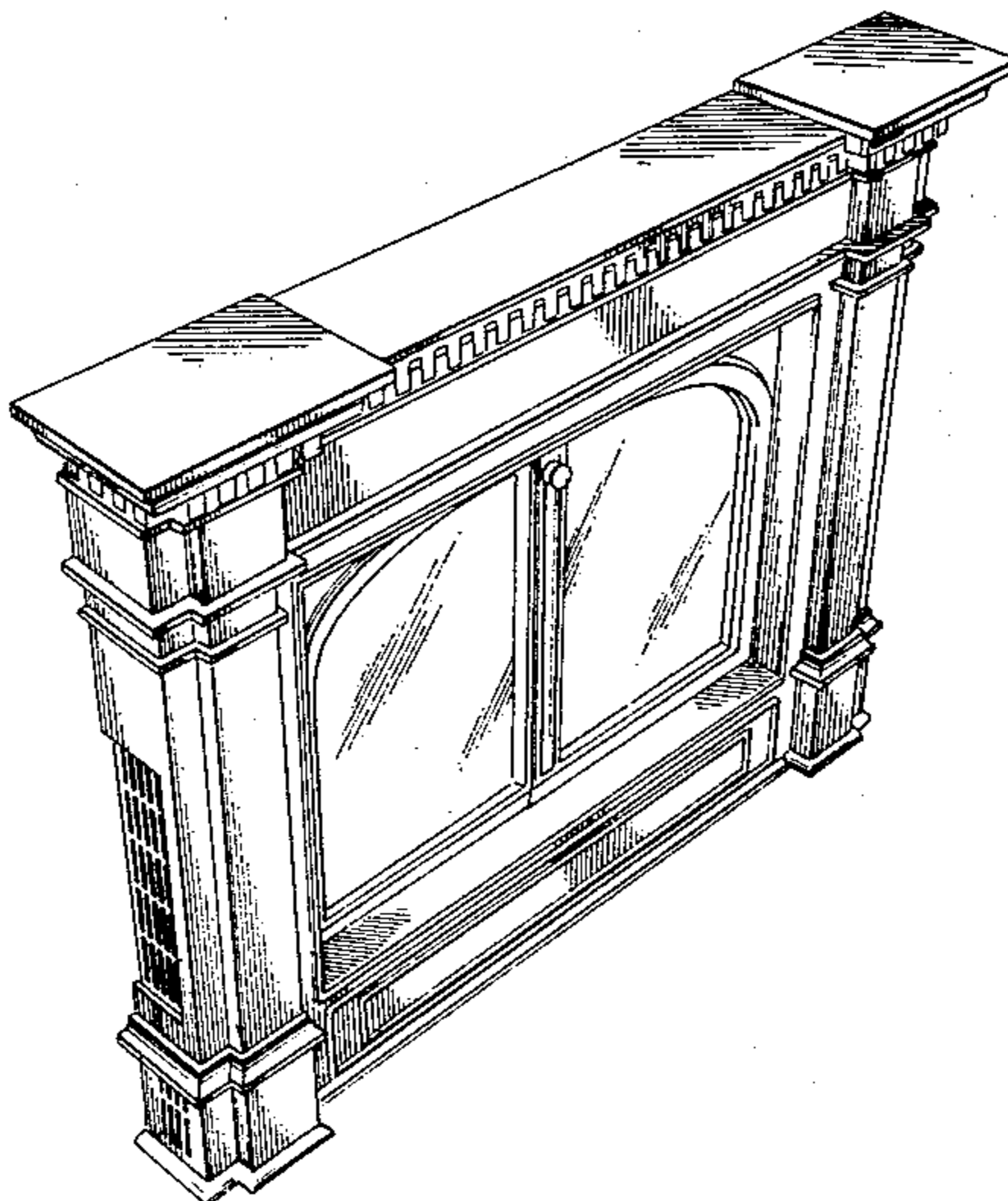
DESCRIPTION

FIG. 1 is a perspective view of a fireplace front, showing our new design;

FIG. 2 is a front view thereof;

FIG. 3 is a rear elevational view thereof;

FIG. 4 is a bottom plan view thereof.



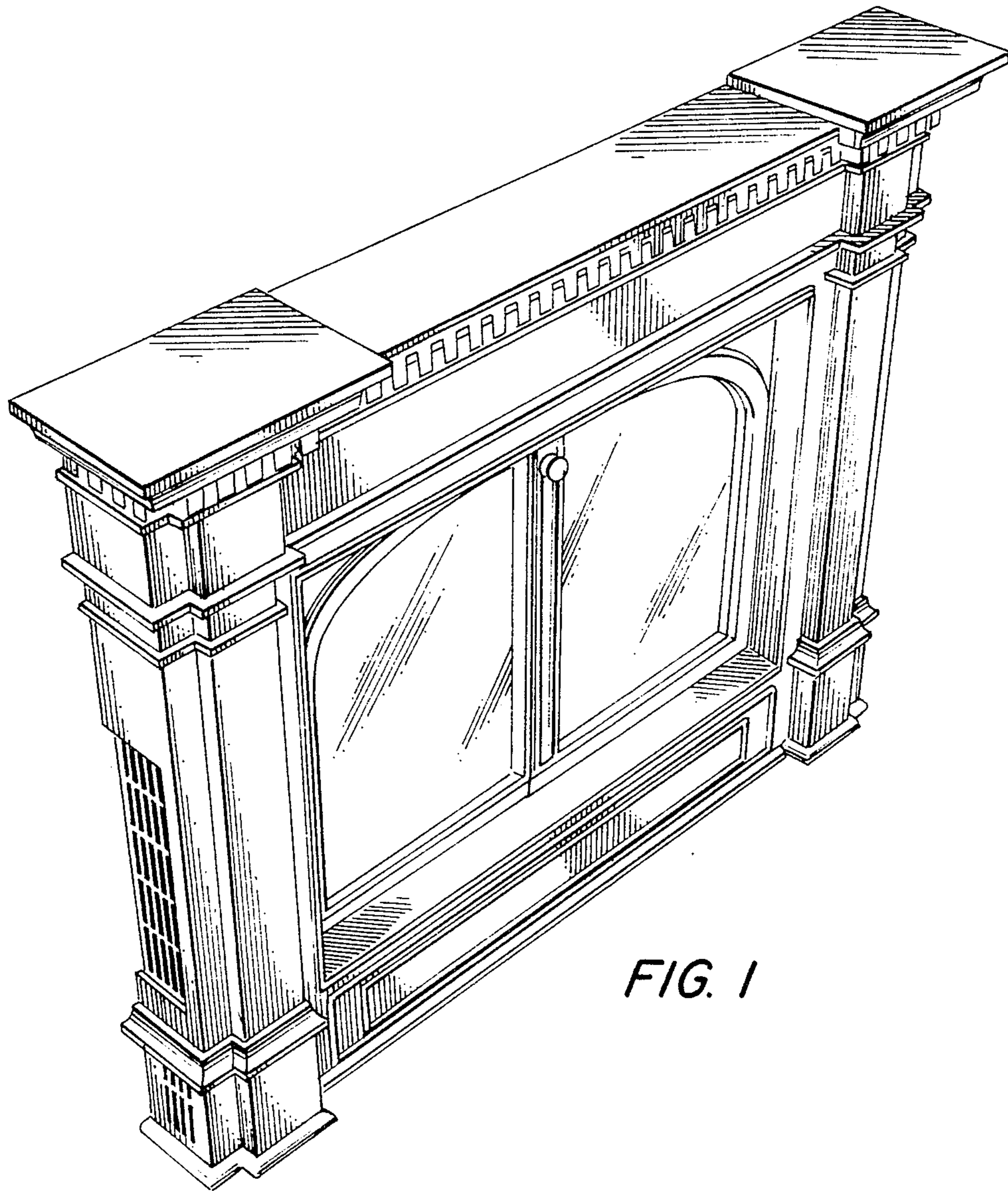


FIG. 1

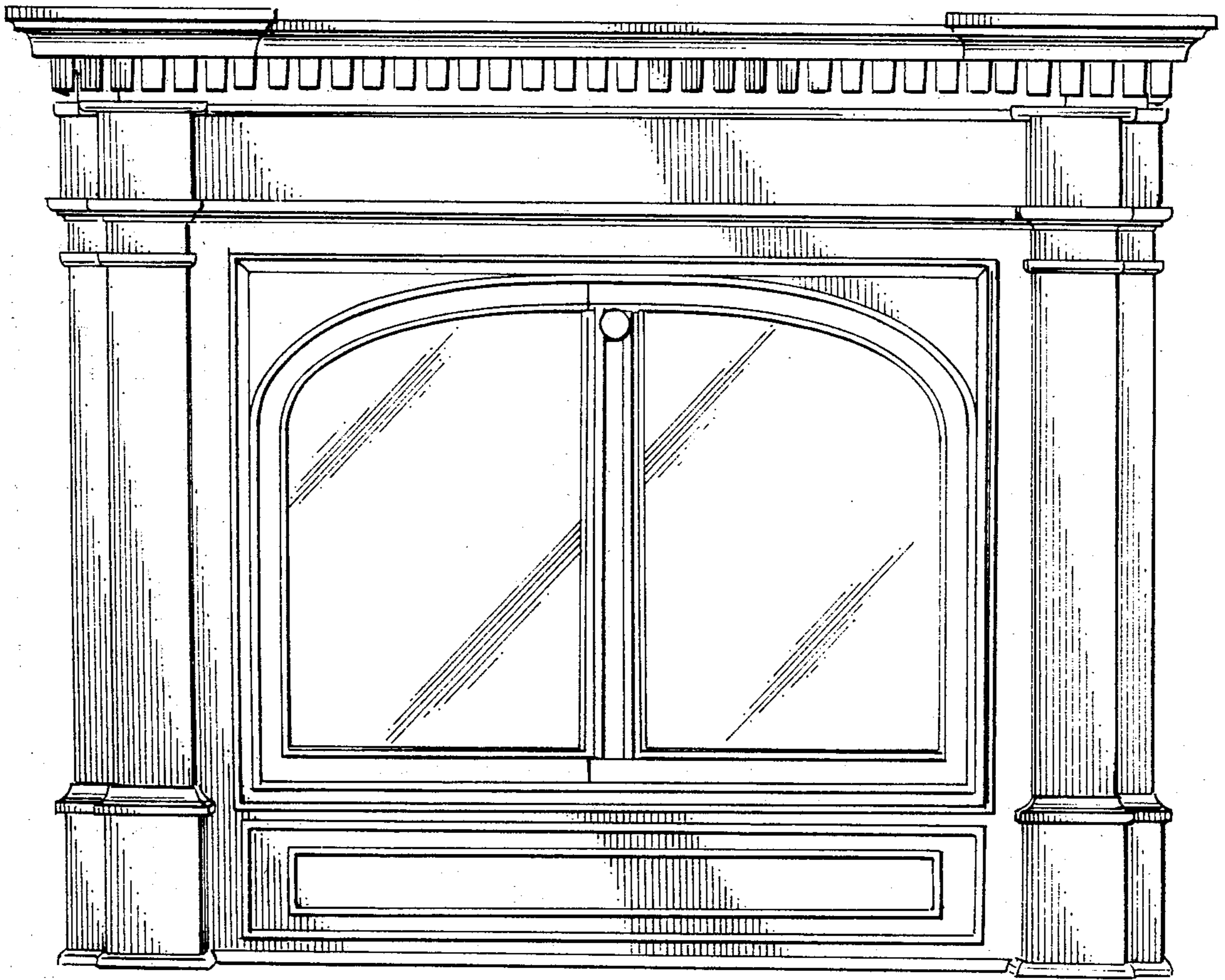


FIG. 2

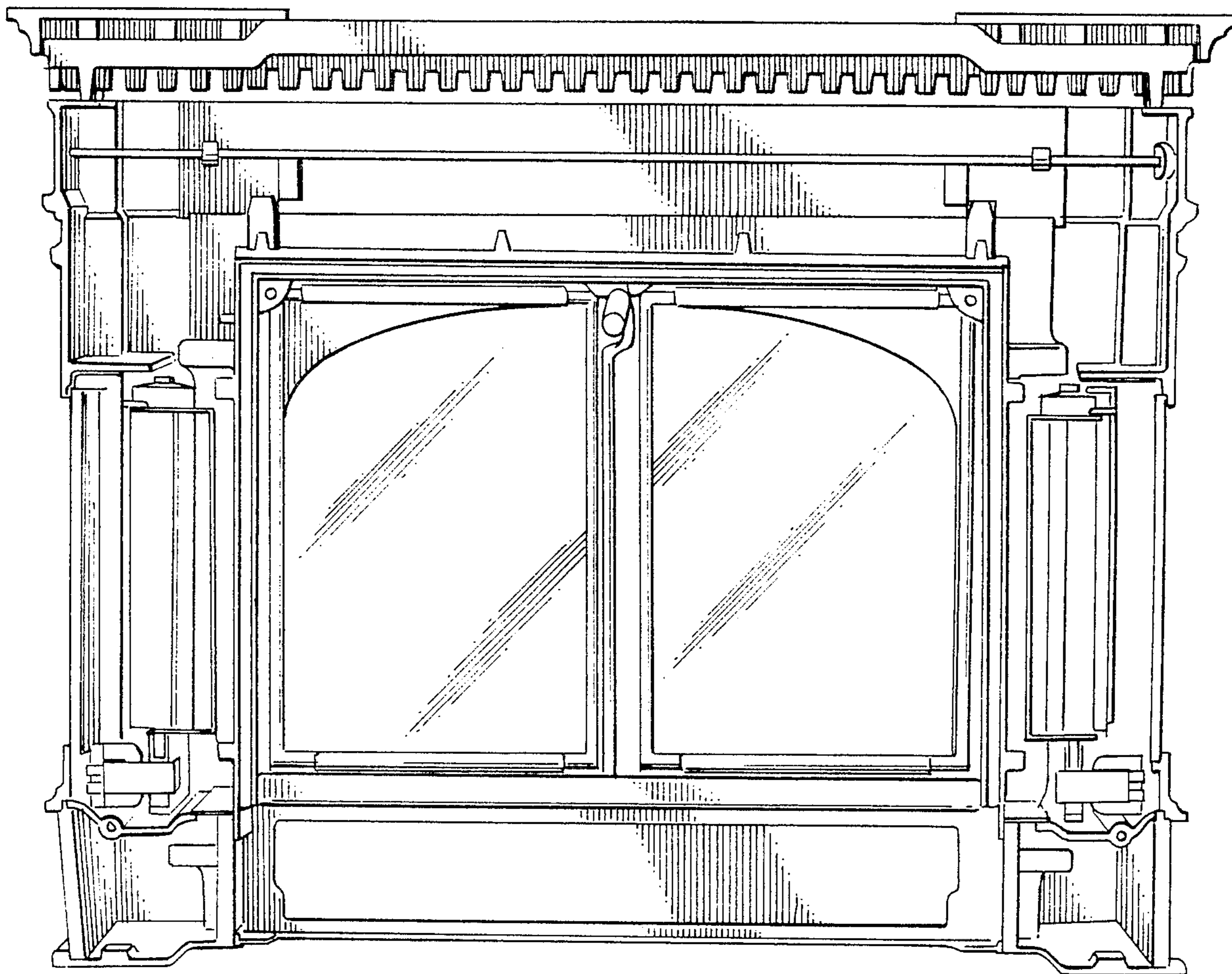


FIG. 3

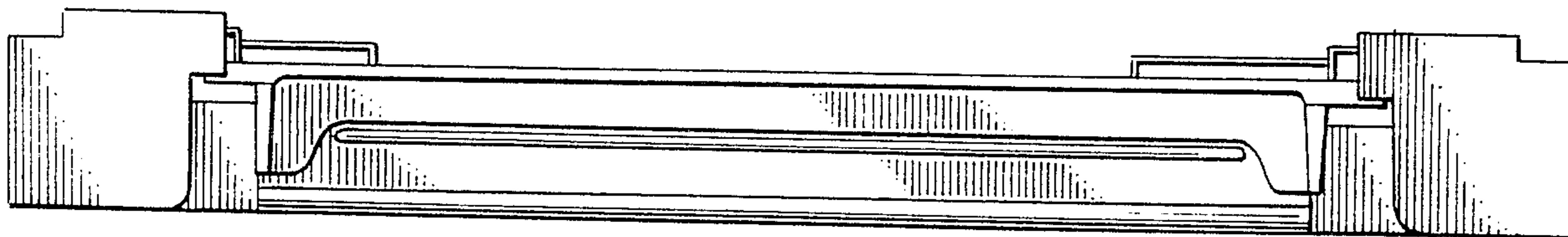


FIG. 4