

[54] **PRECAST DRAIN INLET**  
 [75] **Inventors: William R. Provan, Napa; Douglas P. Allard, Sonoma, both of Calif.**  
 [73] **Assignee: Central States Concrete Products, Inc., Napa, Calif.**  
 [\*\*] **Term: 14 Years**  
 [21] **Appl. No.: 506,097**  
 [22] **Filed: Jun. 20, 1983**  
 [52] **U.S. Cl. .... D23/45**  
 [58] **Field of Search ..... D23/1, 40, 41, 42, 45; D25/35, 36; 4/286, 288; 52/19, 20, 21, 596, 606; 138/109, 177, 178, DIG. 11; 285/176; 404/2-5, 25, 26; 405/36, 124, 125, 126, 127**

3,562,969 2/1971 Little, Sr. .... 52/20  
 3,717,963 2/1973 Savriol ..... 404/25  
 4,031,009 6/1977 Hicks .  
 4,121,390 10/1978 Hall et al. .... 52/20  
 4,321,713 3/1982 Thompson ..... 4/286  
 4,472,911 9/1984 Jooris et al. .... 404/25

**FOREIGN PATENT DOCUMENTS**

586130 11/1959 Canada ..... 52/20  
 1,135,836 8/1962 Fed. Rep. of Germany ..... 404/4  
 1,793,357 11/1977 United Kingdom ..... 52/20

*Primary Examiner*—James R. Largen  
*Attorney, Agent, or Firm*—Lothrop & West

[57] **CLAIM**

The ornamental design for a precast drain inlet, as shown and described.

**DESCRIPTION**

FIG. 1 is a perspective view of a precast drain inlet, showing our new design;  
 FIG. 2 is a top plan view thereof;  
 FIG. 3 is a bottom plan view thereof;  
 FIG. 4 is a side elevational view thereof, the opposite side being the same as the side shown;  
 FIG. 5 is a side elevational view taken ninety degrees from the side shown in FIG. 4, the opposite side being the same as the side shown;  
 FIG. 6 is a cross sectional view taken on line 6—6 of FIG. 2; and,  
 FIG. 7 is a cross sectional view taken on line 7—7 of FIG. 2.

[56] **References Cited**  
**U.S. PATENT DOCUMENTS**  
 D. 27,955 12/1897 Greger ..... D25/36  
 D. 29,313 9/1898 Greger ..... D25/36  
 D. 210,934 5/1968 Johnson ..... D25/36  
 D. 243,766 3/1977 Isaacs ..... D23/1  
 D. 245,104 7/1977 Gross ..... D25/36  
 D. 267,335 12/1982 Axel et al. .... D23/1  
 D. 276,839 12/1984 McCoy ..... D23/42  
 853,750 5/1907 Whorrall ..... 285/176  
 943,214 12/1909 Baier ..... 138/120  
 1,771,176 7/1930 Holub ..... 285/176  
 3,109,670 11/1963 Engel ..... 138/DIG. 11  
 3,263,579 8/1966 Dorris ..... 404/26  
 3,501,007 3/1970 Davis .

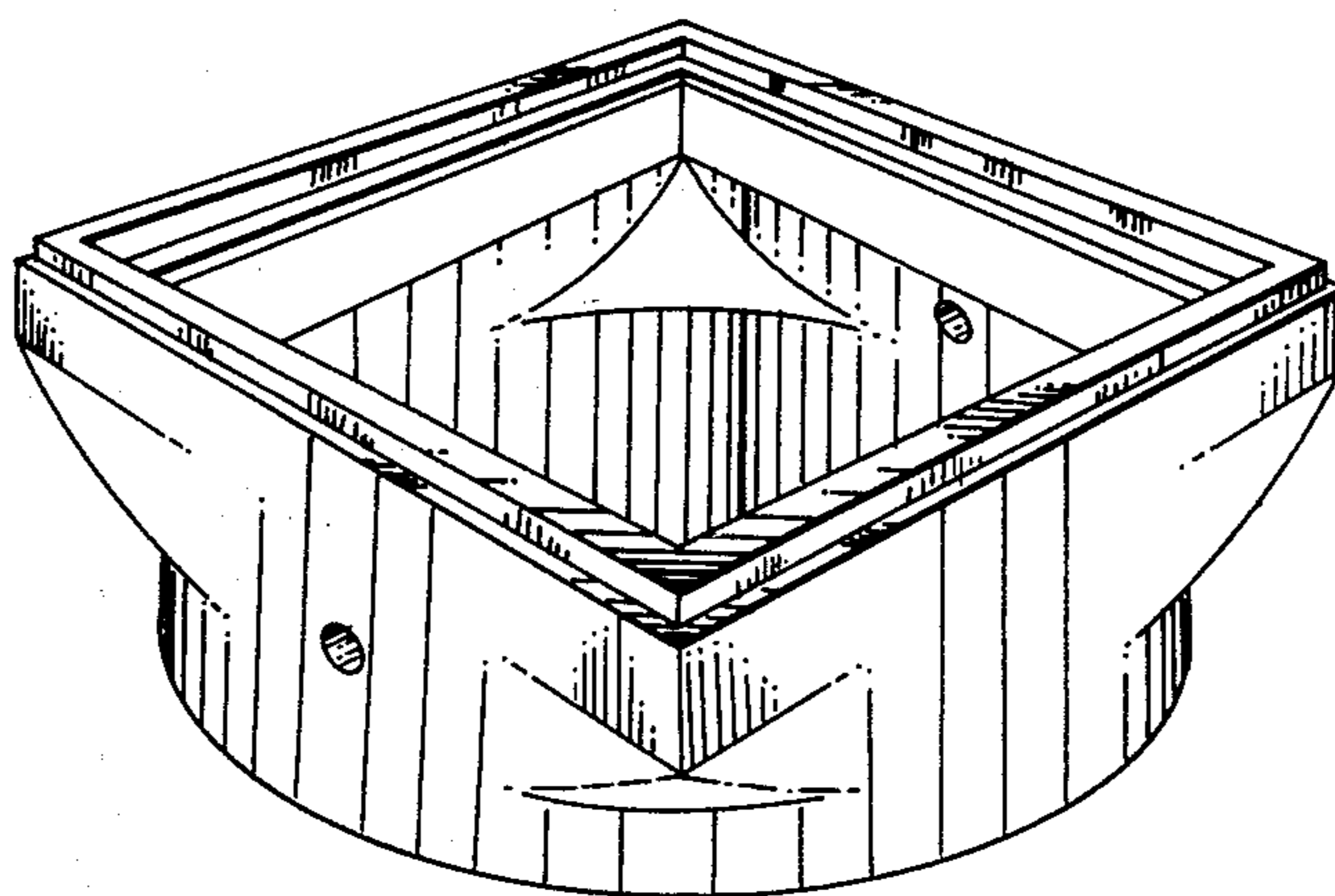


FIG-1

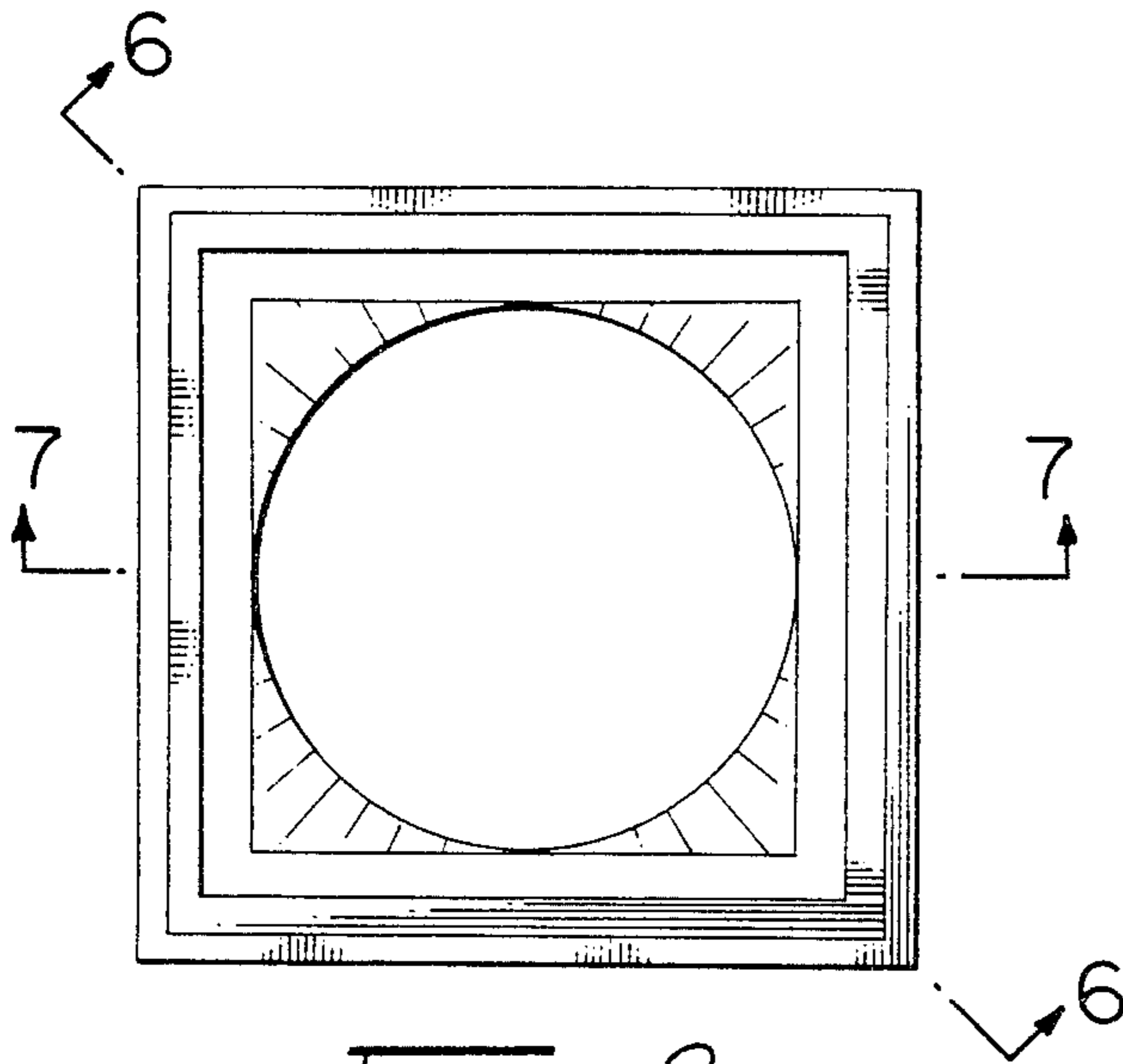
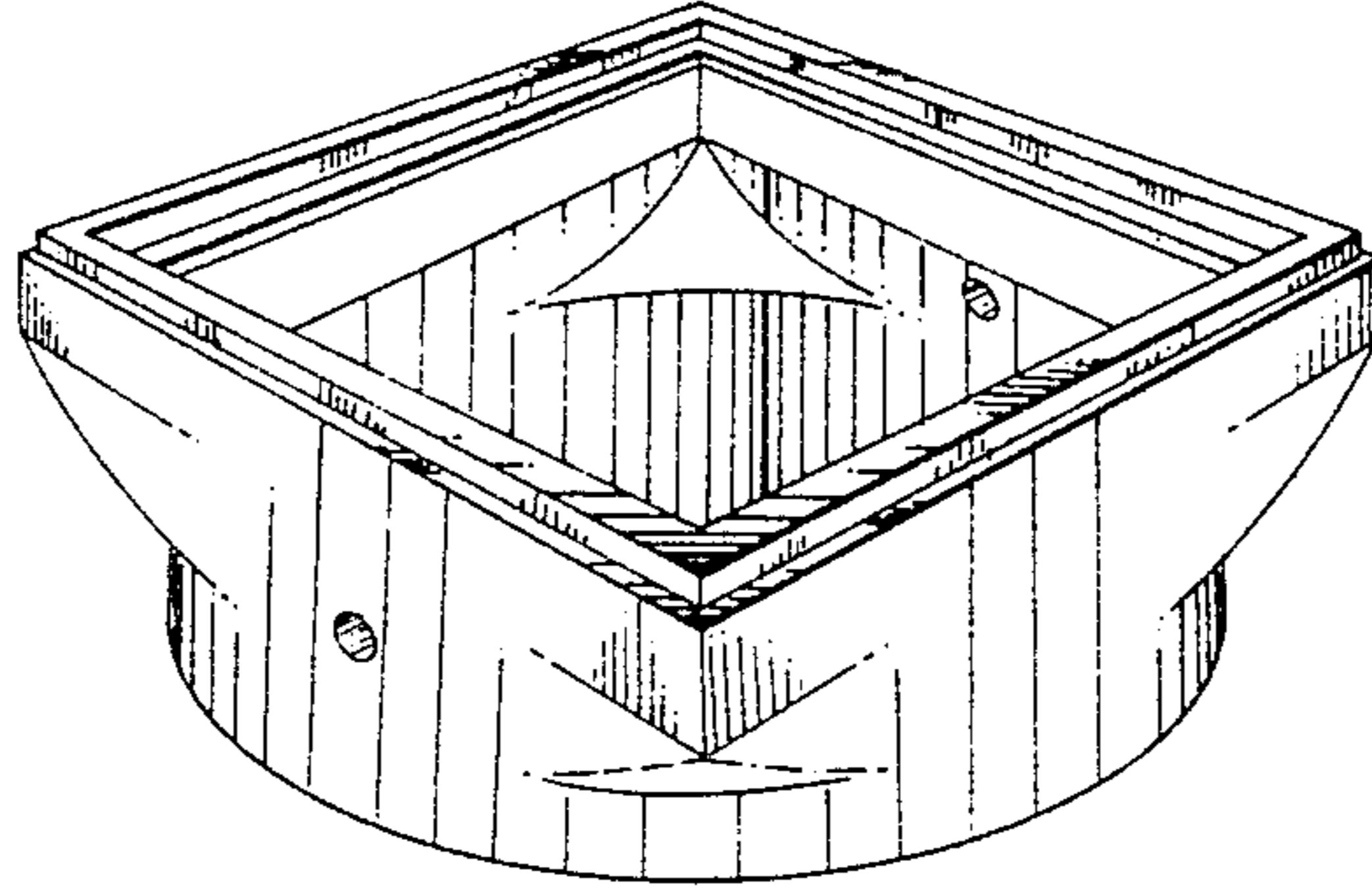


FIG-2

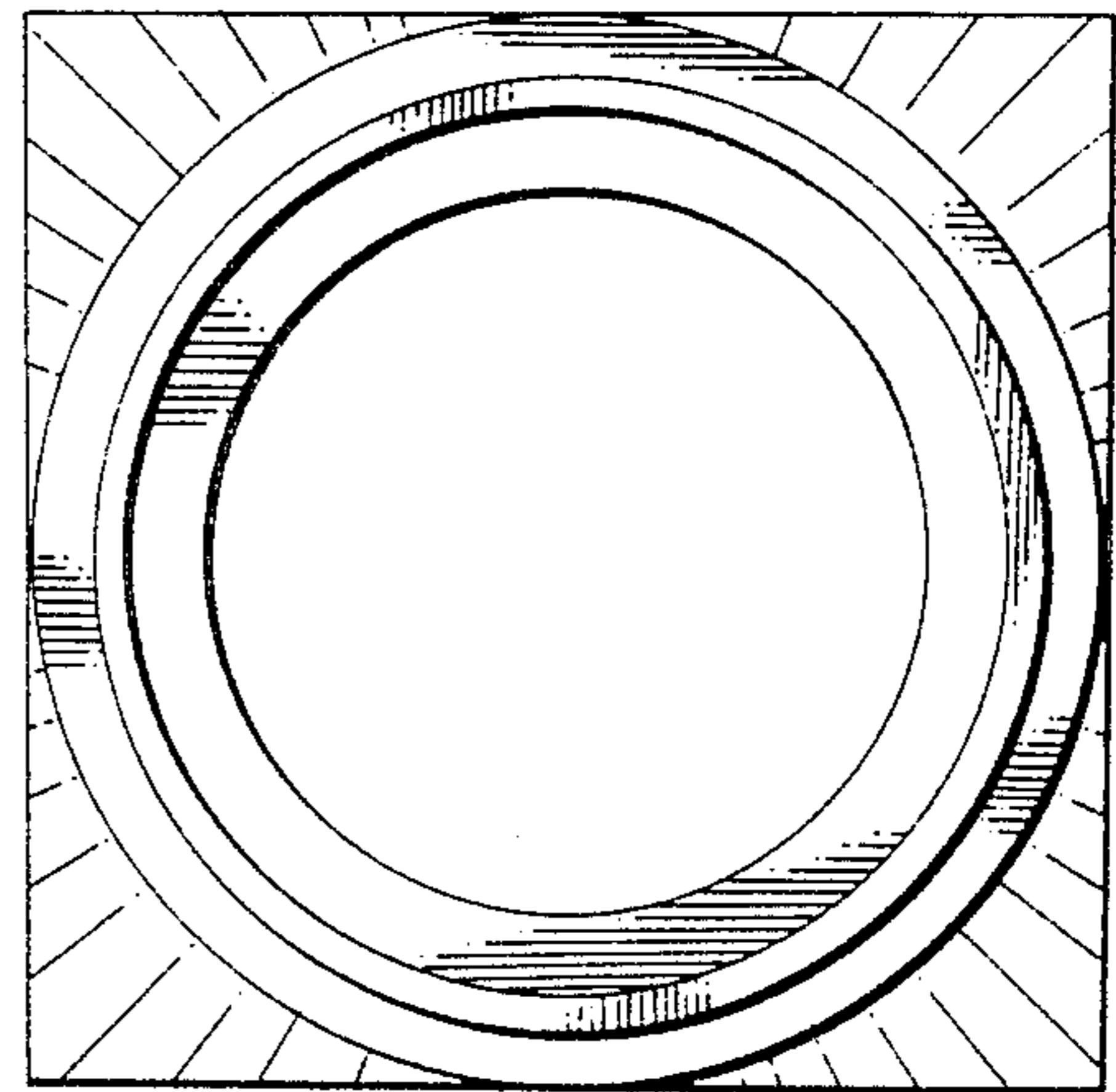


FIG-3

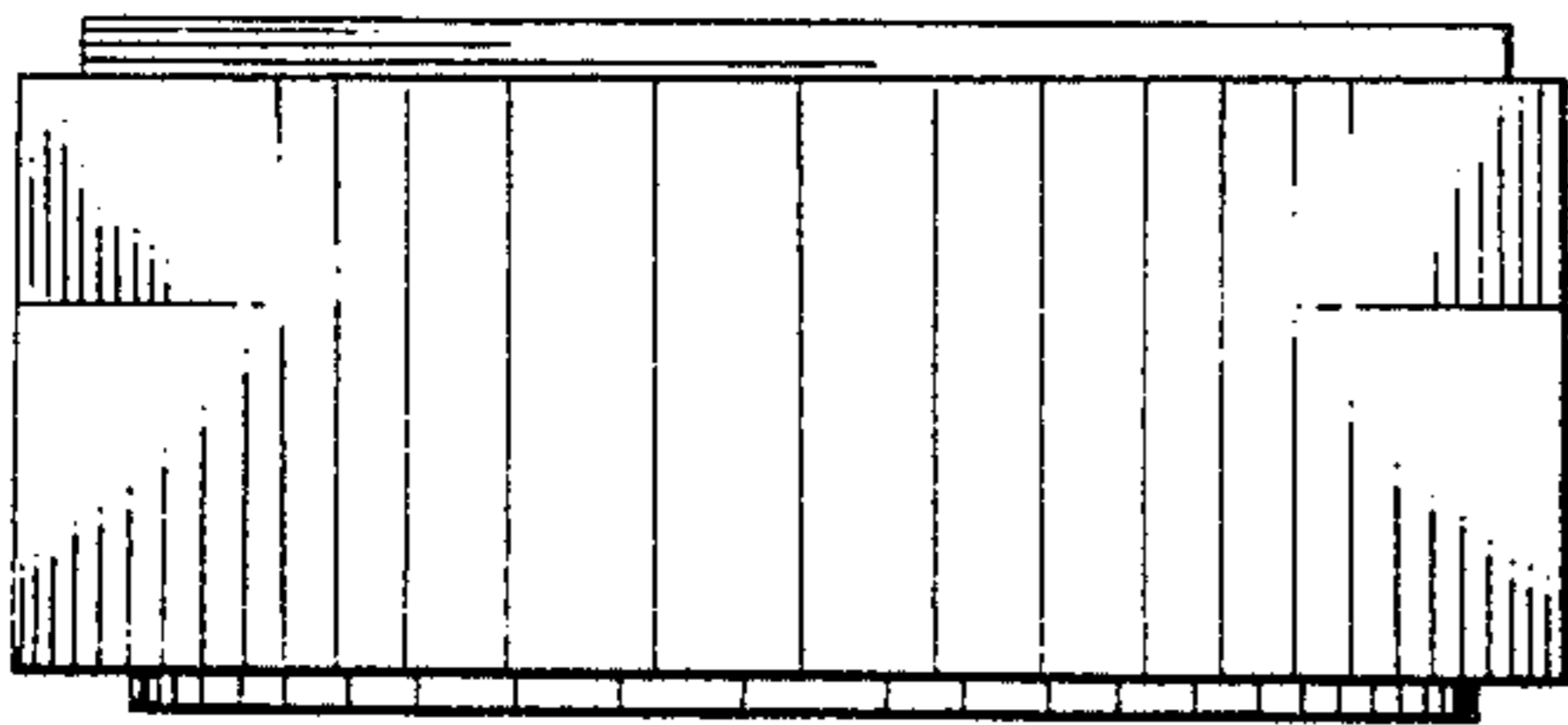


FIG-4

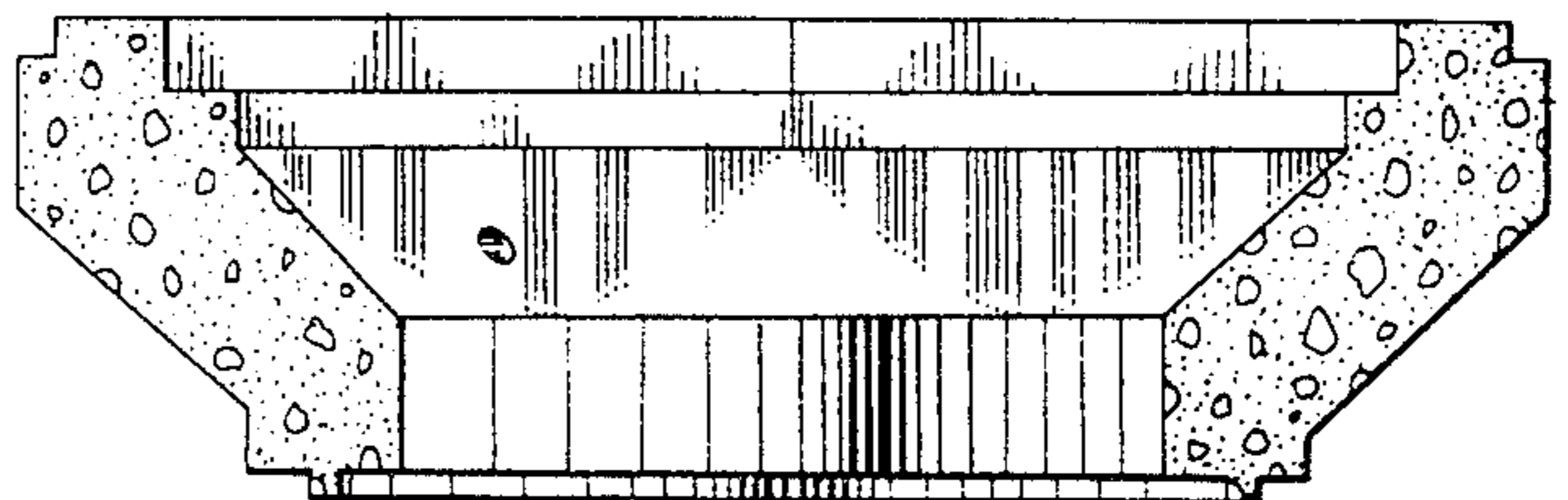


FIG-6

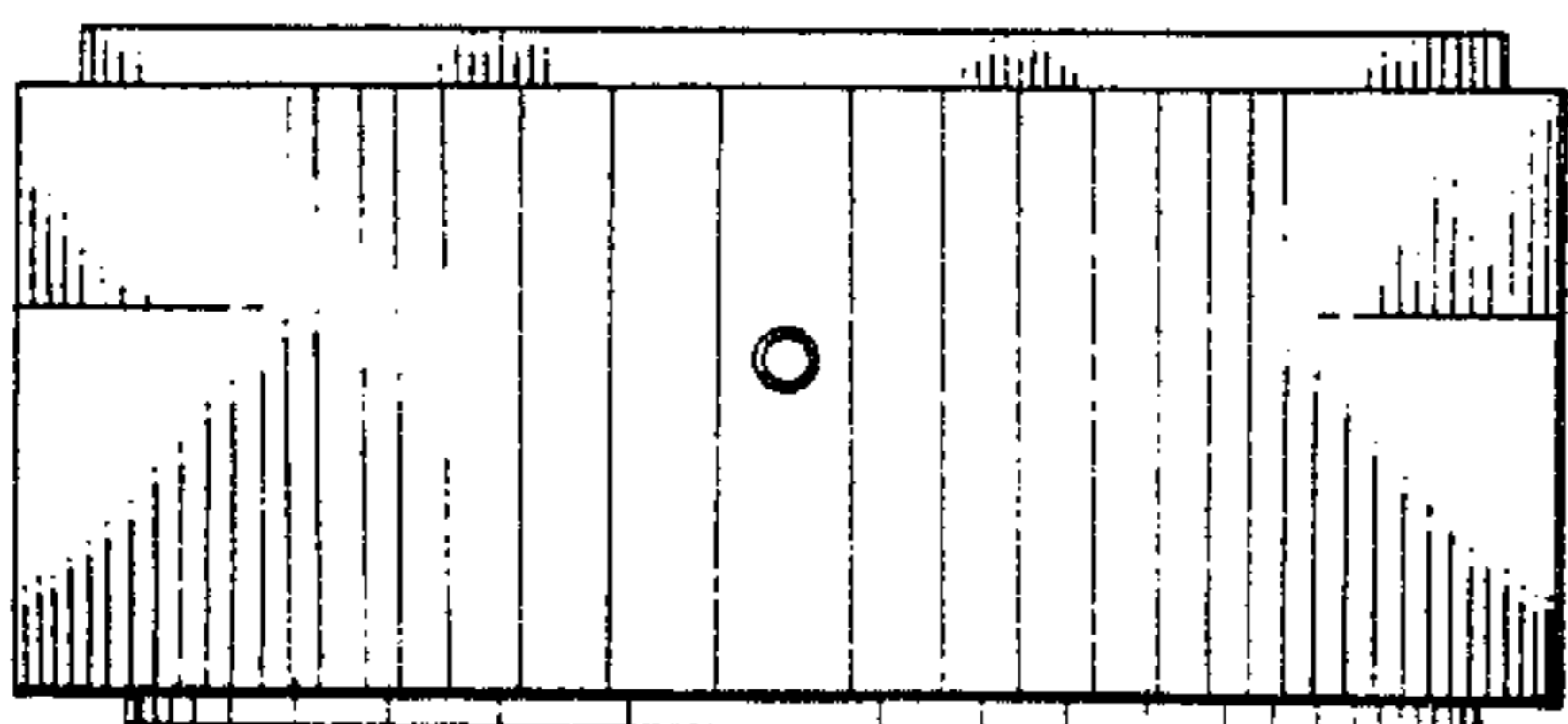


FIG-5

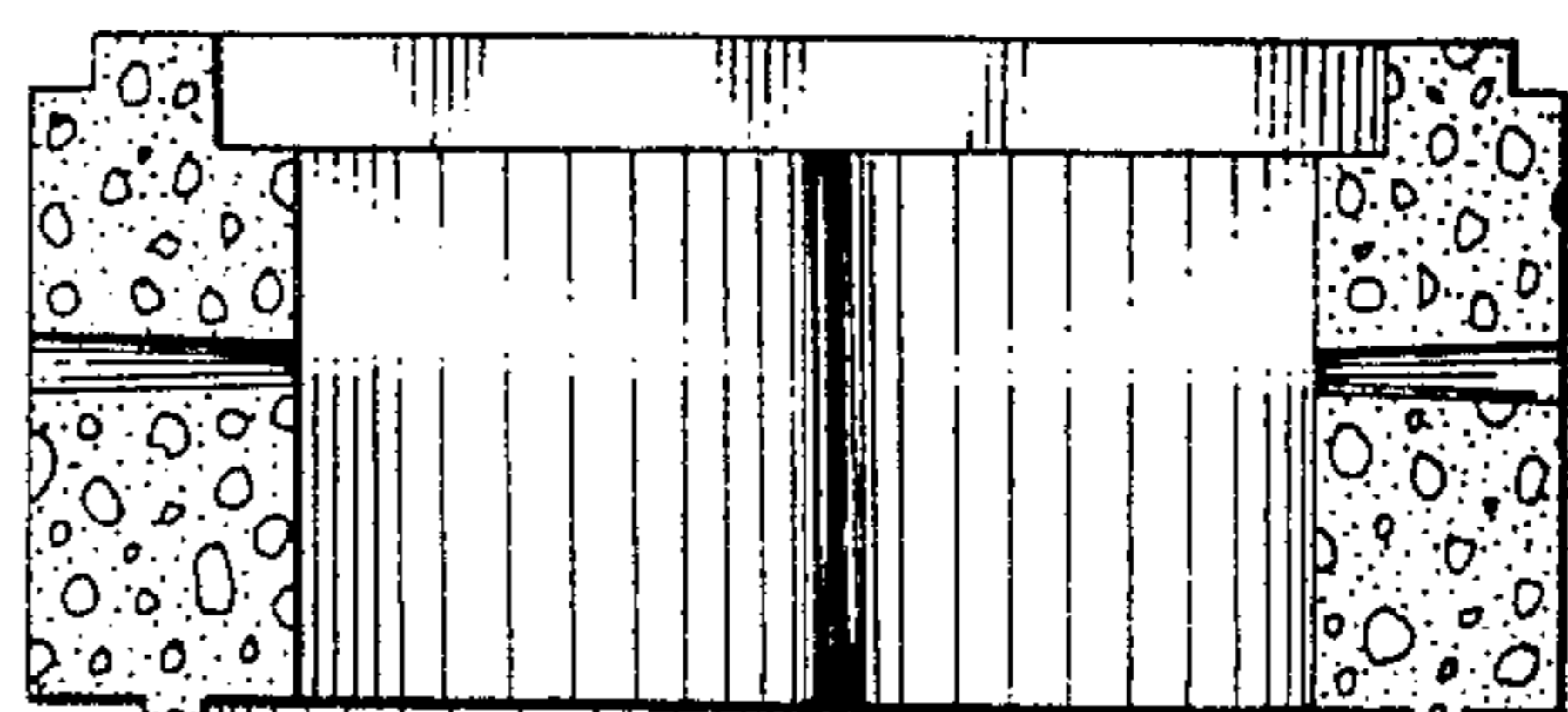


FIG-7