

[54] COMBINED CAP AND SPRAY TIP FOR SPRAY NOZZLE ASSEMBLY

4,103,830 8/1978 Rath 239/599 X
4,185,781 1/1980 O'Brien .
4,438,884 3/1984 O'Brien et al. 285/376 X

[75] Inventors: Ted Butterfield, Naperville; George E. Bird, Hickory Hills; Gary A. Paulsen, Geneva; Edward J. O'Brien, Barrington, all of Ill.

[73] Assignee: Spraying Systems Co., Wheaton, Ill.

[**] Term: 14 Years

[21] Appl. No.: 383,189

[22] Filed: May 28, 1982

[52] U.S. Cl. D23/35

[58] Field of Search D23/6-10,
D23/34-37; 239/597, 599, 600

[56] References Cited

U.S. PATENT DOCUMENTS

D. 198,356	6/1964	Wahlin	D23/35
D. 239,773	5/1976	Wiehman et al.	D23/6
D. 260,169	8/1981	Vikre	D23/35
2,539,061	1/1951	Coles	D23/35 X
2,644,720	7/1953	Carr	239/600 X
3,009,655	11/1961	Palmer	239/600 X
3,437,274	4/1969	Apri	239/599
3,810,582	5/1974	Lodge	239/542

OTHER PUBLICATIONS

Lurmark Ltd. Engineers publication on "EEZIFIT Series High Pressure Colour Coded Cap-Tip Nozzles". Applicant's Copending Application, Ser. No. 317,199 filed Nov. 2, 1981.

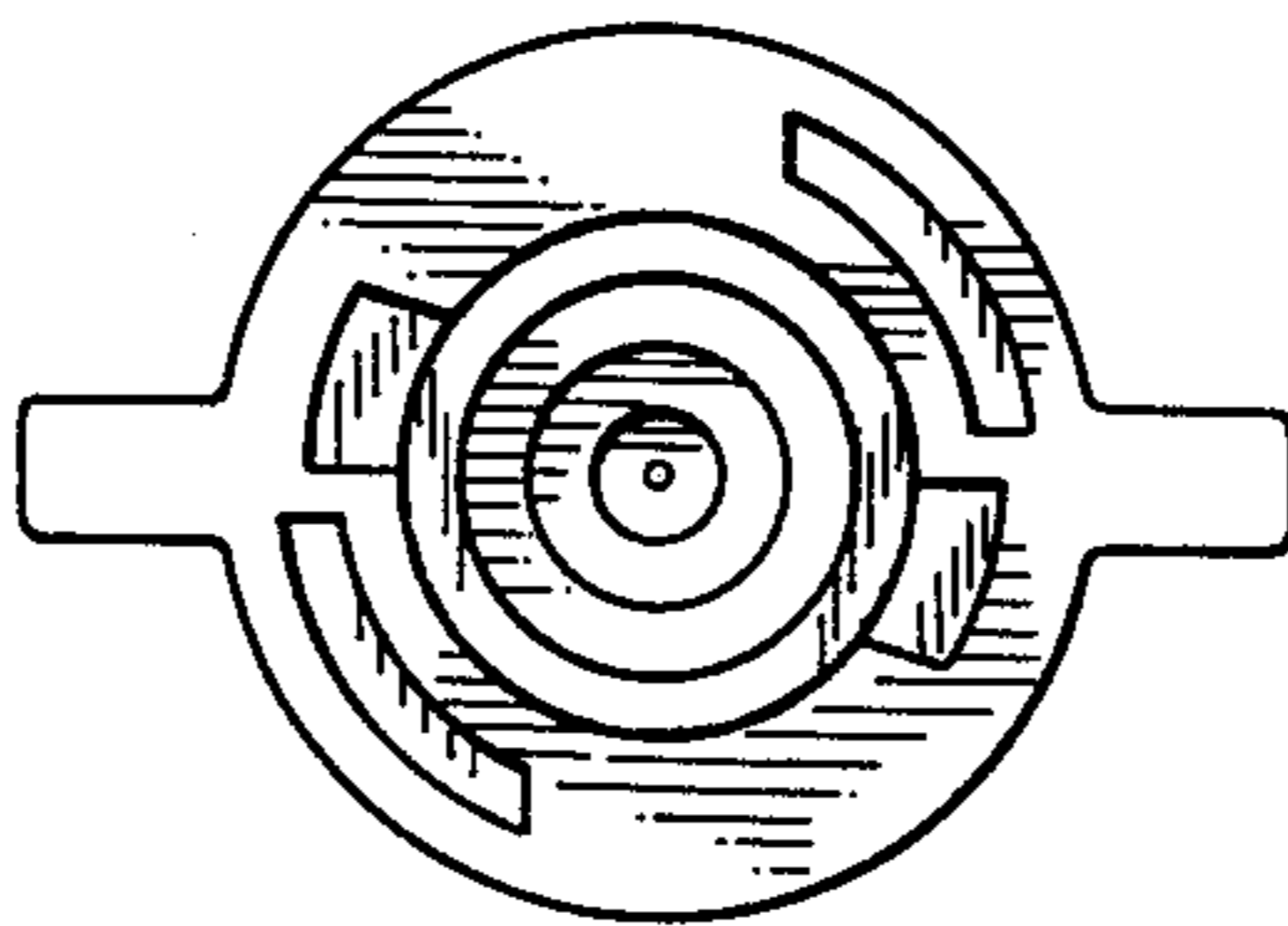
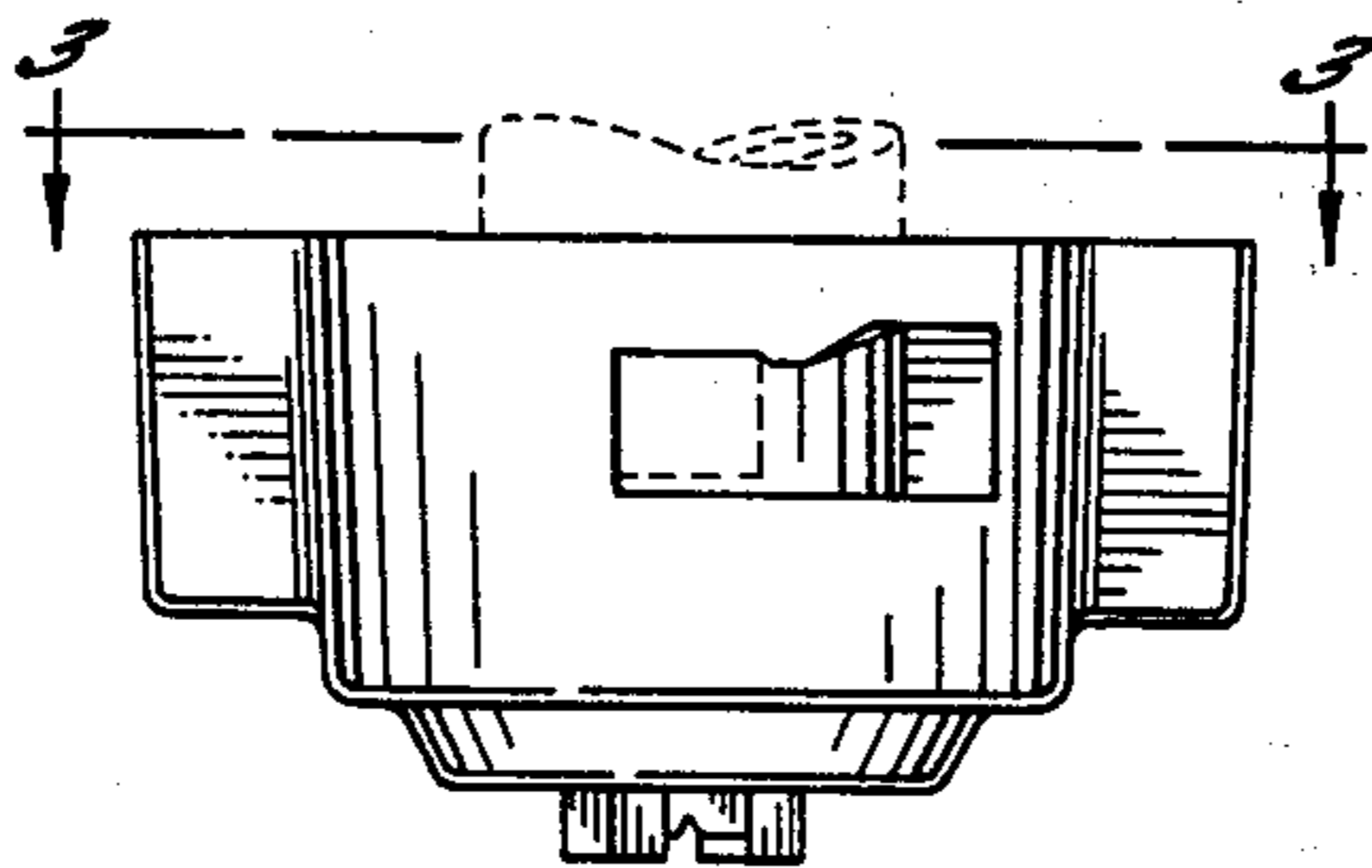
Primary Examiner—James R. Largen
Attorney, Agent, or Firm—Leydig, Voit, Osann, Mayer & Holt

[57] CLAIM

The ornamental design for a combined cap and spray tip for spray nozzle assembly, as shown and described.

DESCRIPTION

FIG. 1 is an elevational view taken from one side of a combined cap and spray tip for a spray nozzle assembly showing our new design, the opposite side being a mirror image of the side shown;
FIG. 2 is an elevational view taken from one end thereof, the opposite end being a mirror image of the end shown;
FIG. 3 is a top plan view thereof;
FIG. 4 is a bottom plan view thereof.



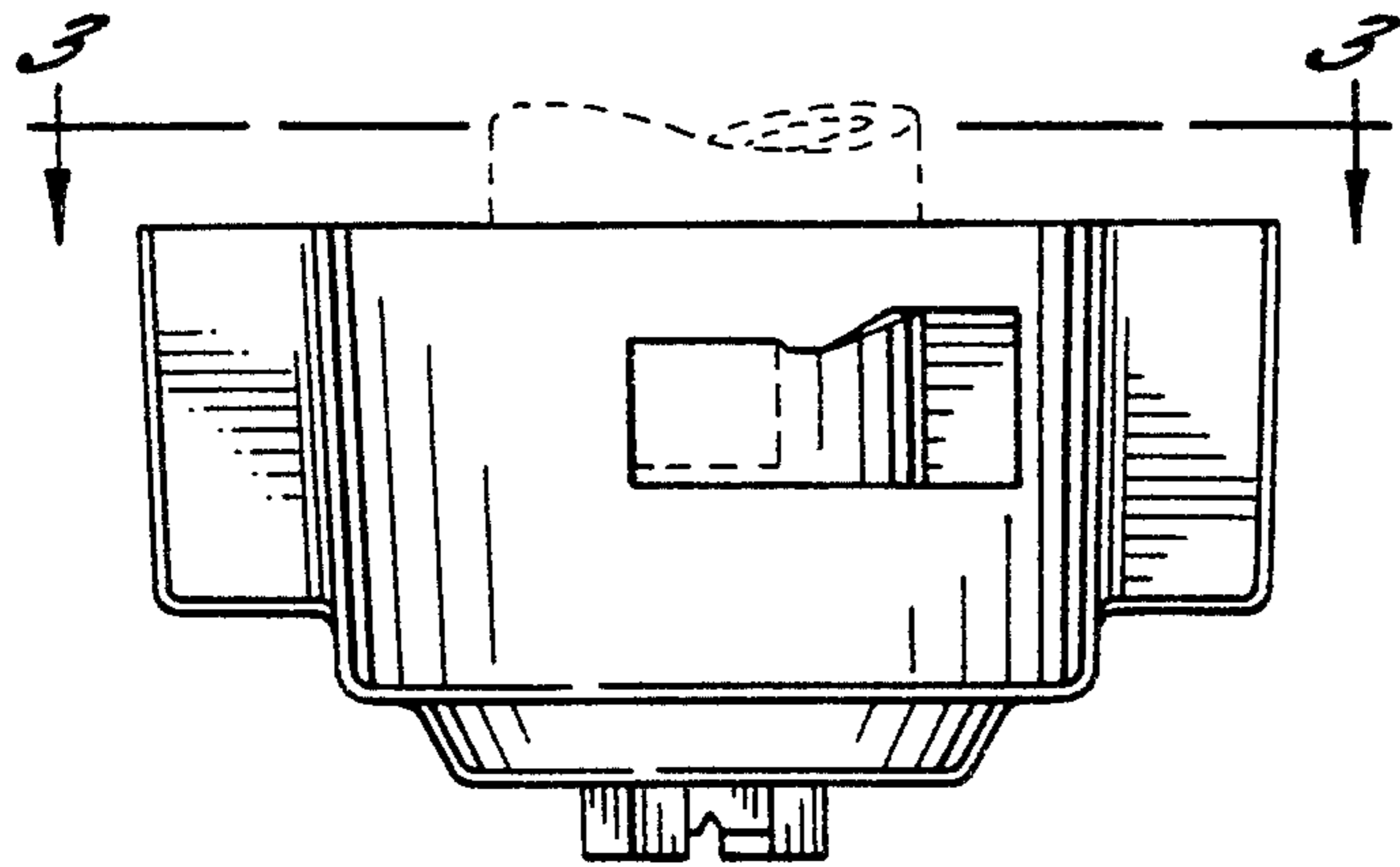


FIG. 1.

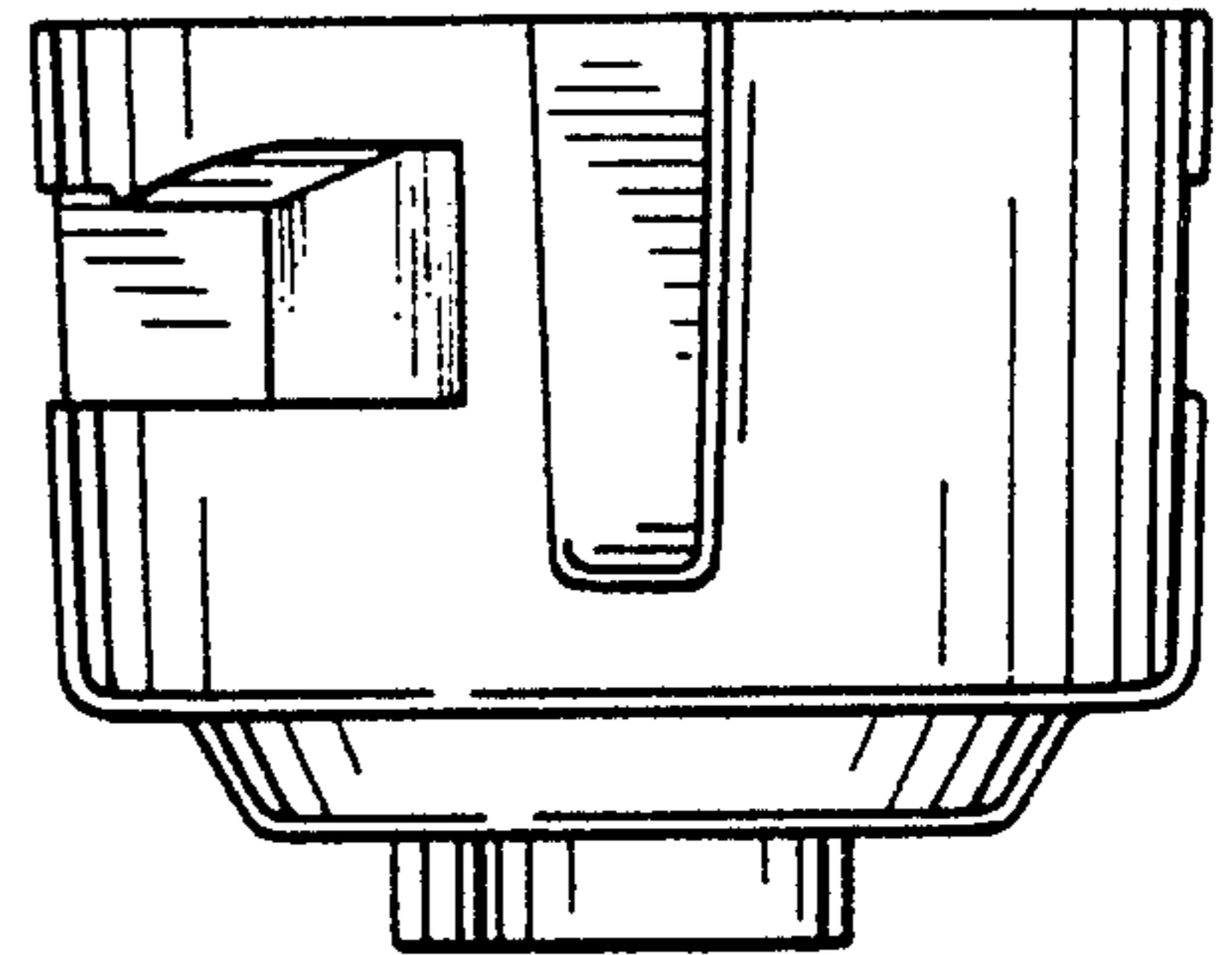


FIG. 2.

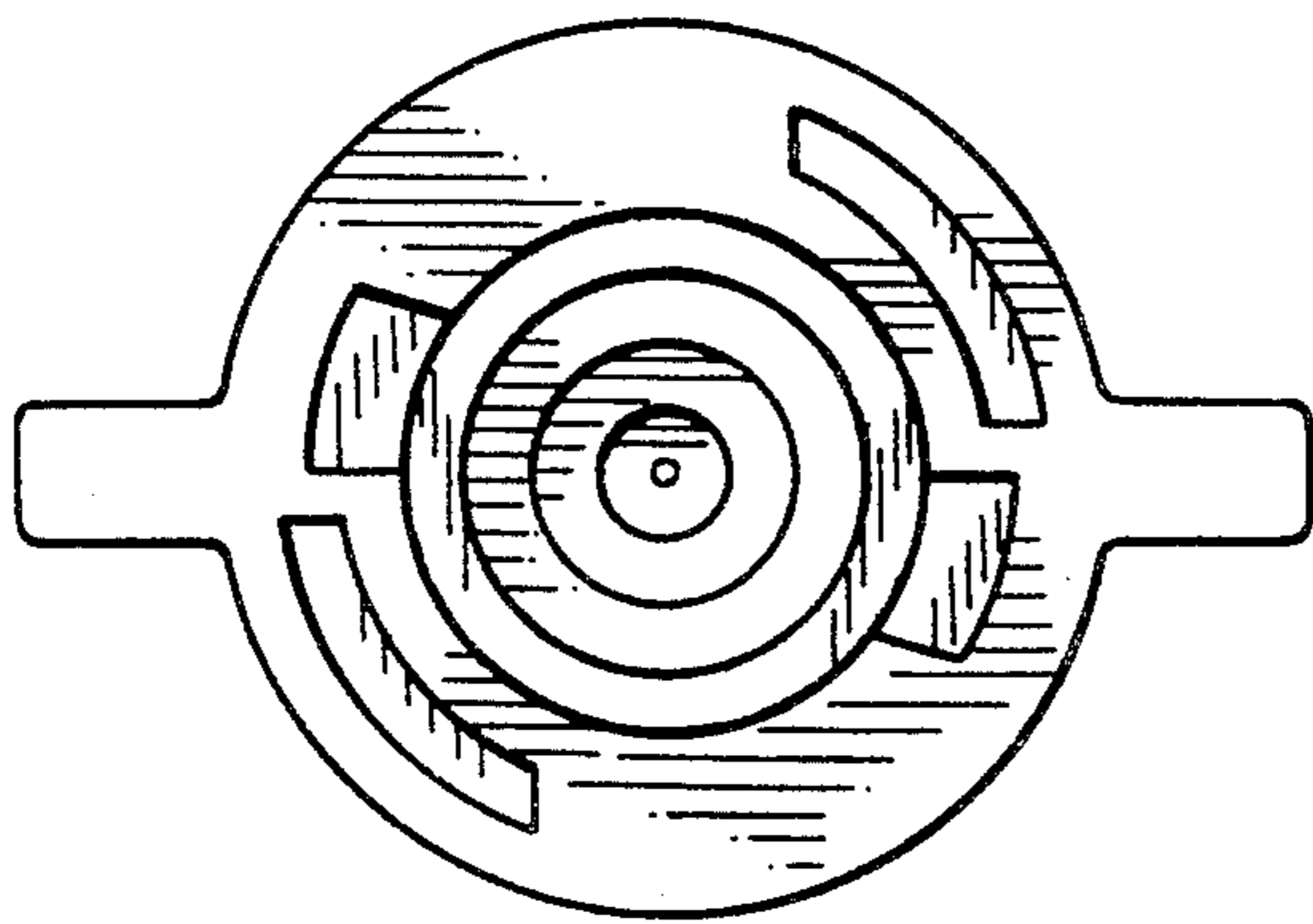


FIG. 3.

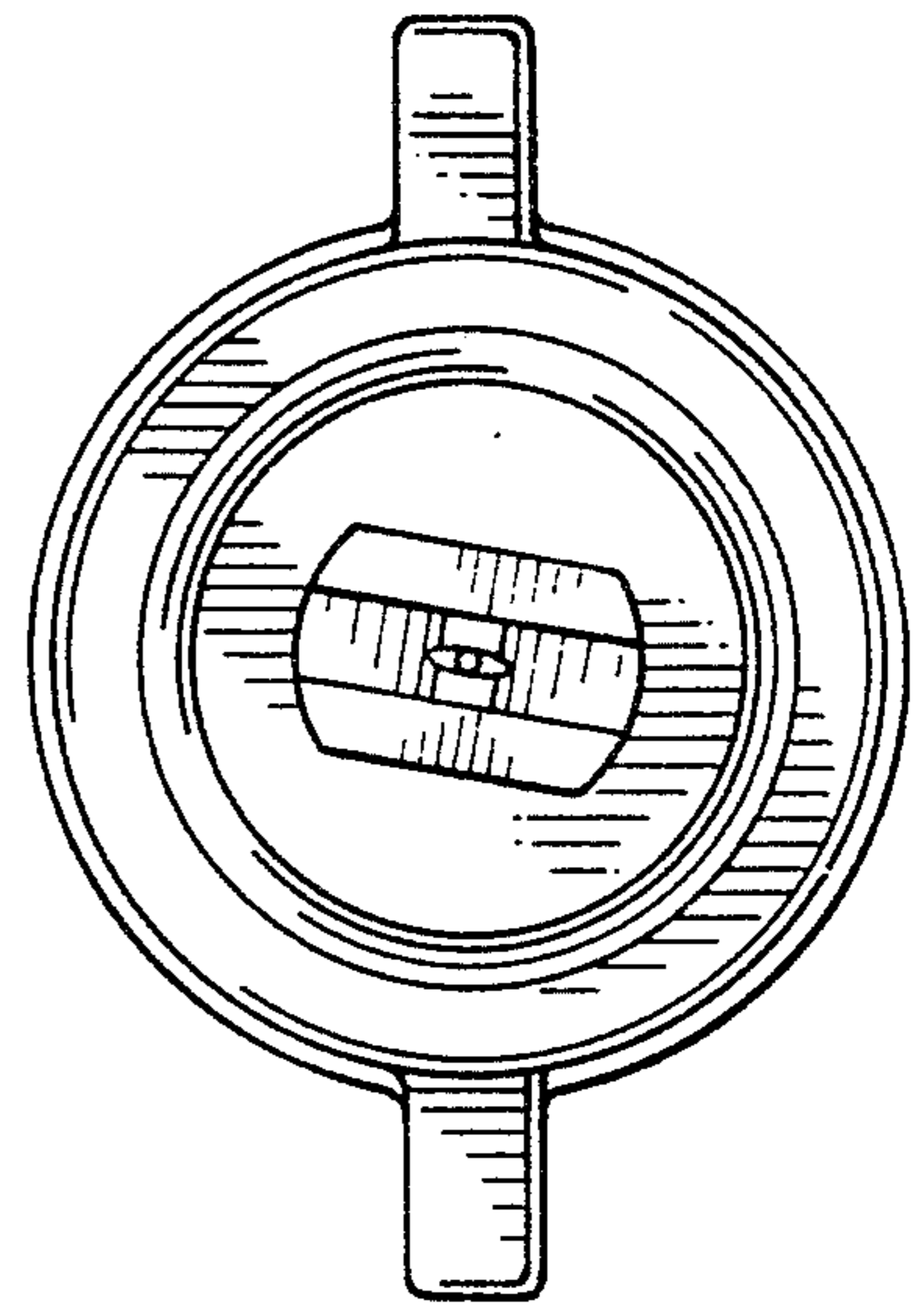


FIG. 4.