

United States Patent [19]

Decker et al.

[11] Patent Number: **Des. 280,120**

[45] Date of Patent: **** Aug. 13, 1985**

[54] **RIDING TYPE SKI**

[75] Inventors: **Larry L. Decker; Roger L. Decker,**
both of Canton, Ohio

[73] Assignee: **Gyro Manufacturing, Inc.,** Canton,
Ohio

[**] Term: **14 Years**

[21] Appl. No.: **481,873**

[22] Filed: **Apr. 4, 1983**

[52] U.S. Cl. **D21/229**

[58] Field of Search **D21/229, 228, 230, 72;**
280/809, 602, 609, 12 R, 17, 28

[56] **References Cited**

U.S. PATENT DOCUMENTS

D. 187,847 3/1964 Krencik D21/229
D. 205,296 7/1966 Cohen D21/229

3,003,778 10/1961 Taggart D21/229
3,297,334 1/1967 Jenks D21/229
3,744,811 7/1973 Johnston D21/229

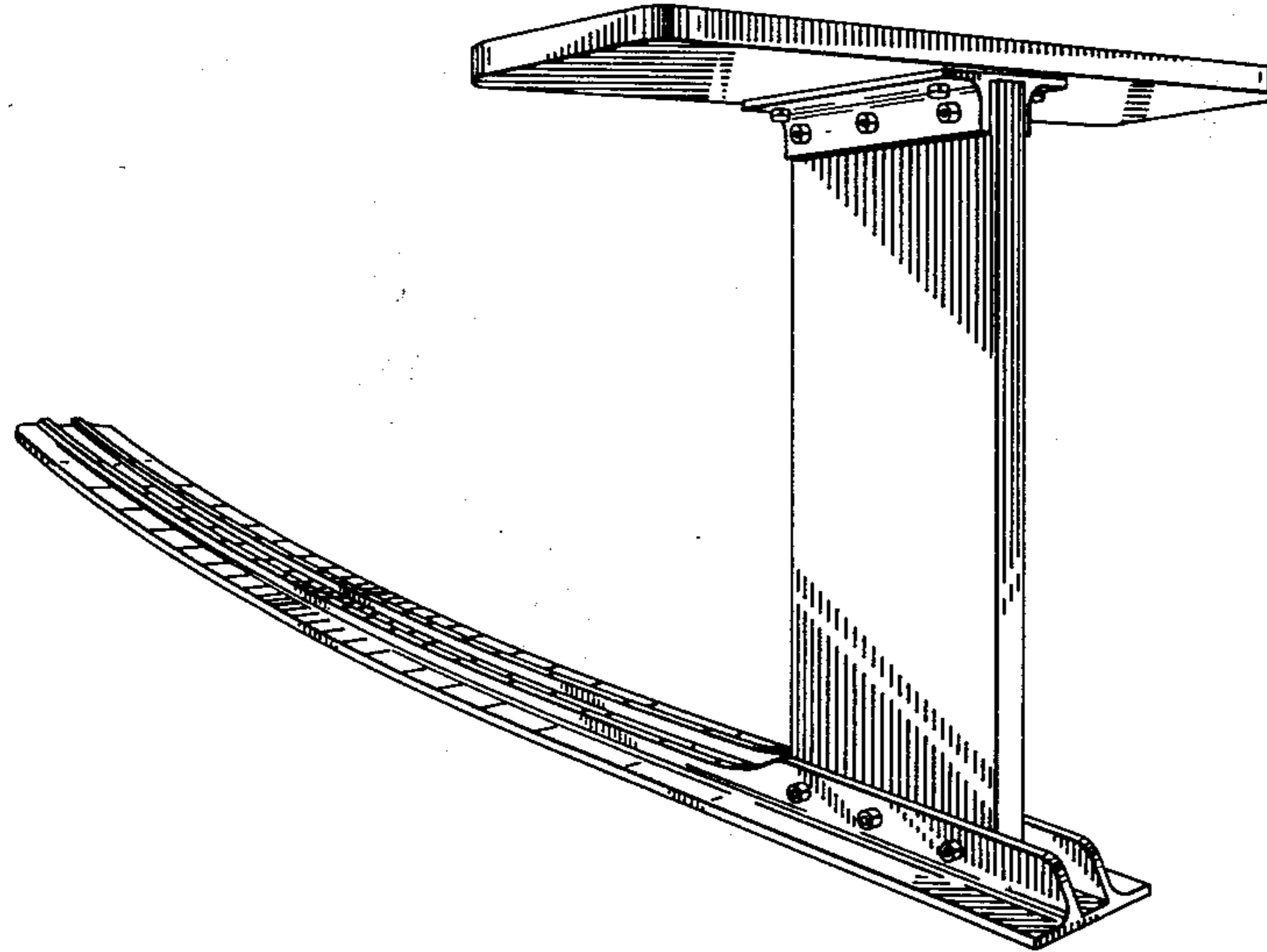
Primary Examiner—Charles A. Rademaker
Attorney, Agent, or Firm—Renner, Kenner, Greive &
Bobak Co.

[57] **CLAIM**

The ornamental design for a riding type ski, as shown
and described.

DESCRIPTION

FIG. 1 is a perspective view of a riding type ski em-
bodying our new design;
FIG. 2 is a top plan view thereof;
FIG. 3 is a side elevation thereof;
FIG. 4 is a rear elevation thereof.
The side opposite to that shown in FIG. 3 is a mirror
image thereof. The bottom surface of the runner is flat.



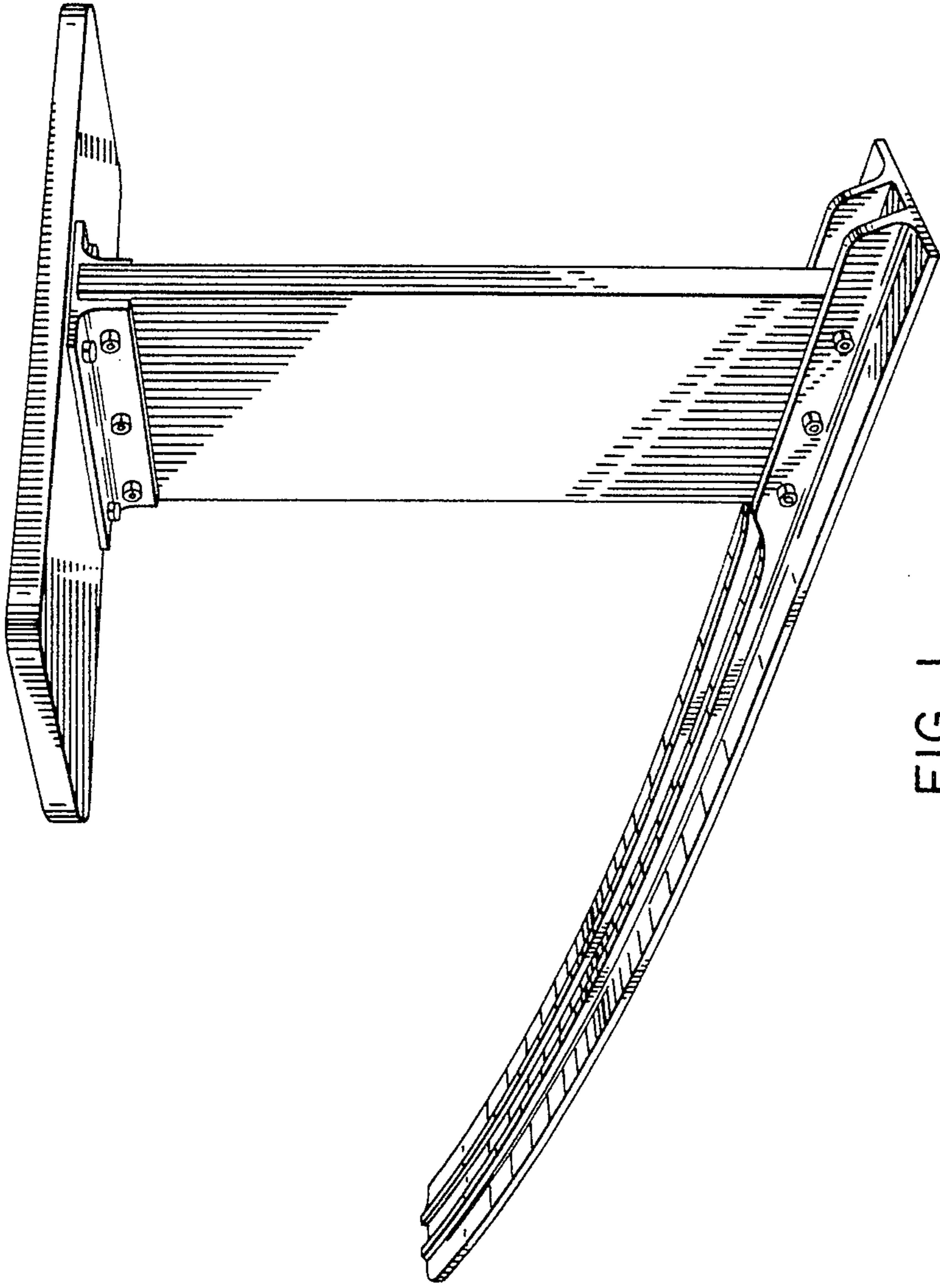


FIG. 1

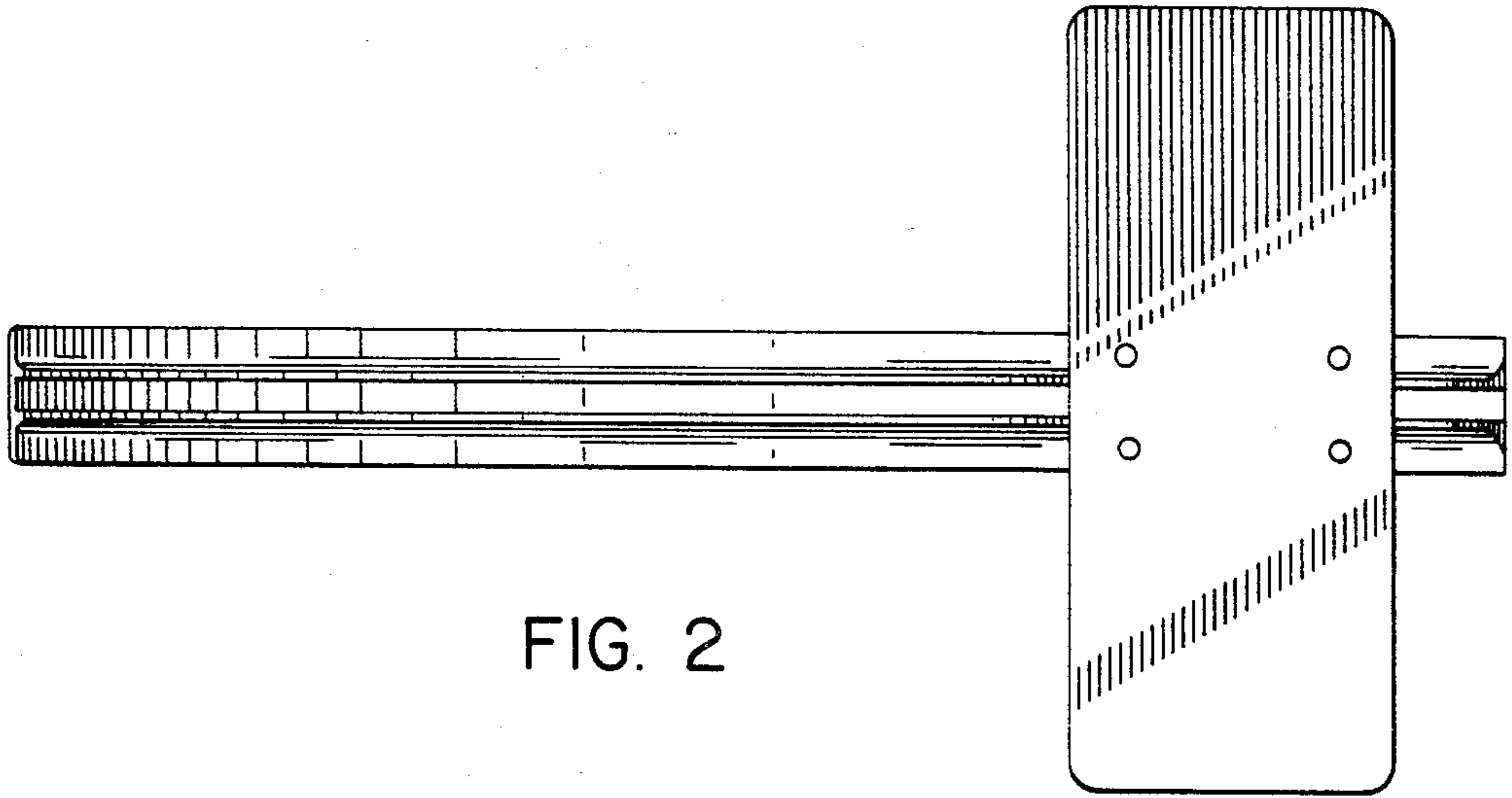


FIG. 2

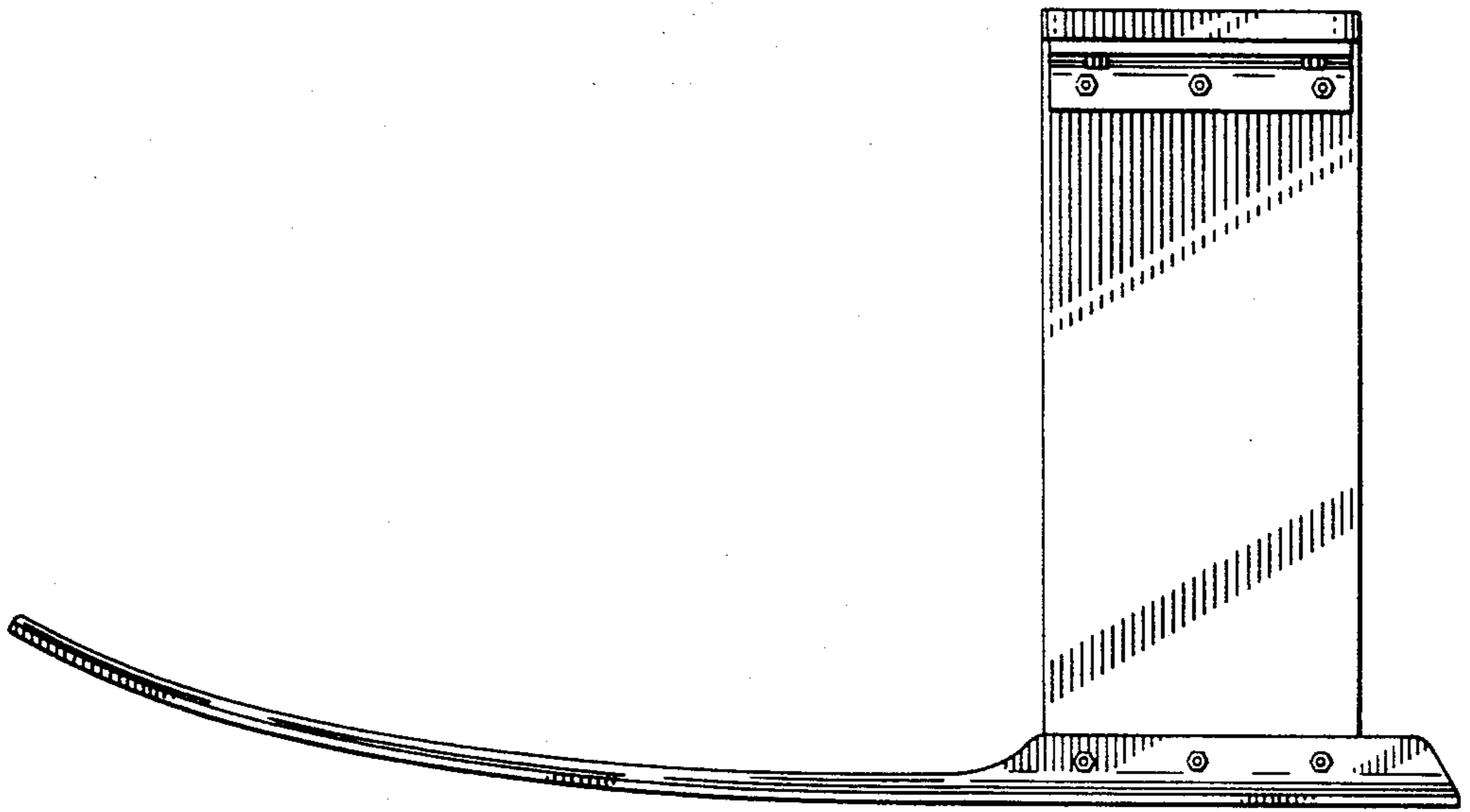


FIG. 3

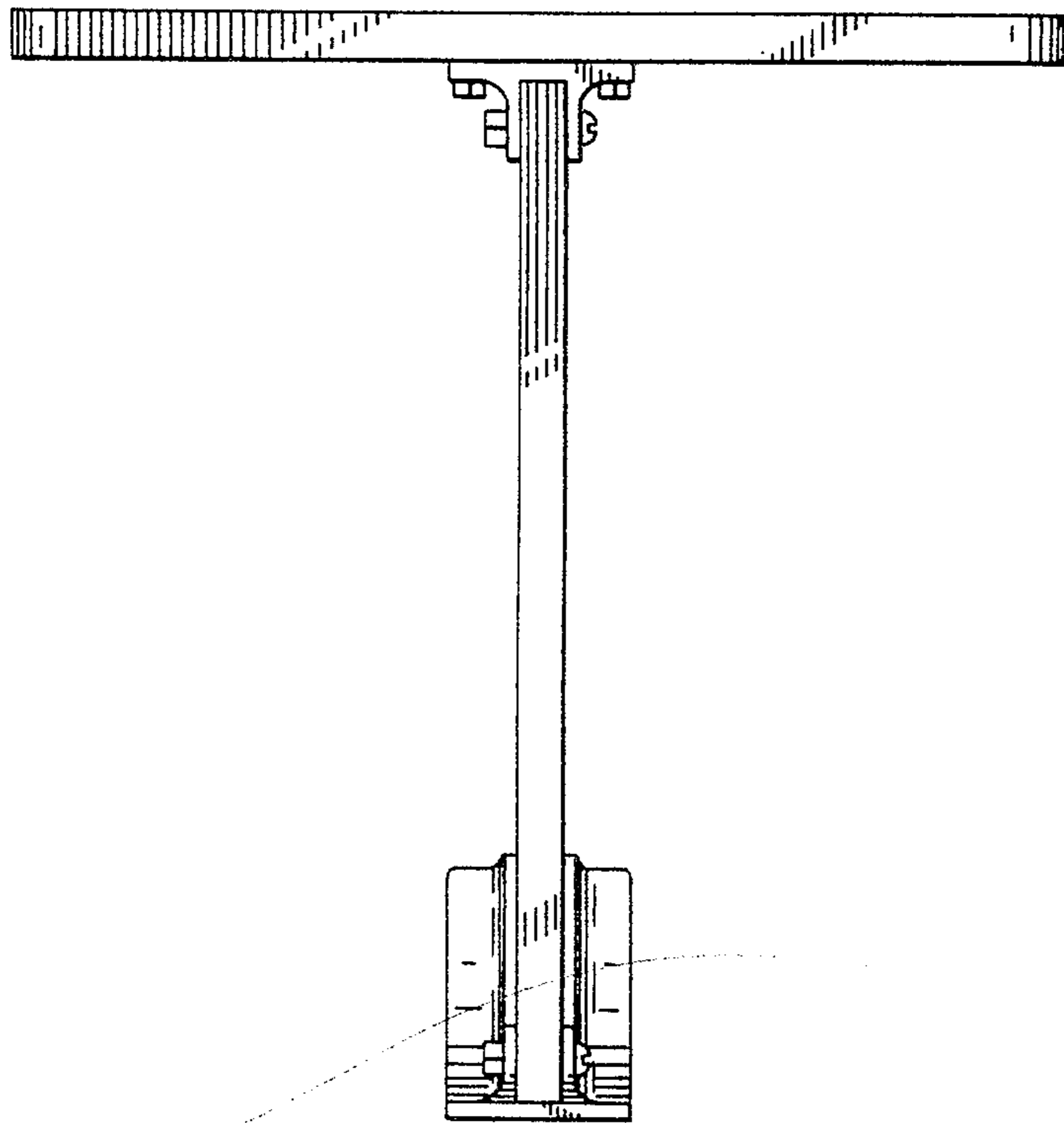


FIG. 4