

[54] **FRAME FOR EXERCISE CYCLE**  
[75] **Inventor: Gerald W. Collins, Cudahy, Wis.**  
[73] **Assignee: Huffy Corporation, Dayton, Ohio**  
[\*\*] **Term: 14 Years**  
[21] **Appl. No.: 491,825**  
[22] **Filed: May 5, 1983**  
[52] **U.S. Cl. .... D21/194**  
[58] **Field of Search ..... D21/194; 272/70.3, 73,  
272/132, Dig. 6; 73/379; D12/111, 117-119**

[56] **References Cited**  
**U.S. PATENT DOCUMENTS**

D. 112,875 1/1939 Ros ..... D12/111  
D. 218,338 8/1970 Dimick et al. .... D21/194  
D. 264,235 5/1982 Beistegui-Chirapozu ..... D21/194  
3,940,128 2/1976 Ragone ..... 272/73

**FOREIGN PATENT DOCUMENTS**

458162 8/1968 Switzerland ..... 272/73

*Primary Examiner*—Charles A. Rademaker  
*Attorney, Agent, or Firm*—Biebel, French & Nauman

[57] **CLAIM**

The ornamental design for a frame for exercise cycle, substantially as shown and described.

**DESCRIPTION**

FIG. 1 is a perspective view of a frame for exercise cycle showing my new design;  
FIG. 2 is a top plan view thereof;  
FIG. 3 is a bottom plan view thereof;  
FIG. 4 is a side elevational view thereof; the side opposite being substantially a mirror image;  
FIG. 5 is a rear elevational view thereof; and  
FIG. 6 is a front elevational view thereof.

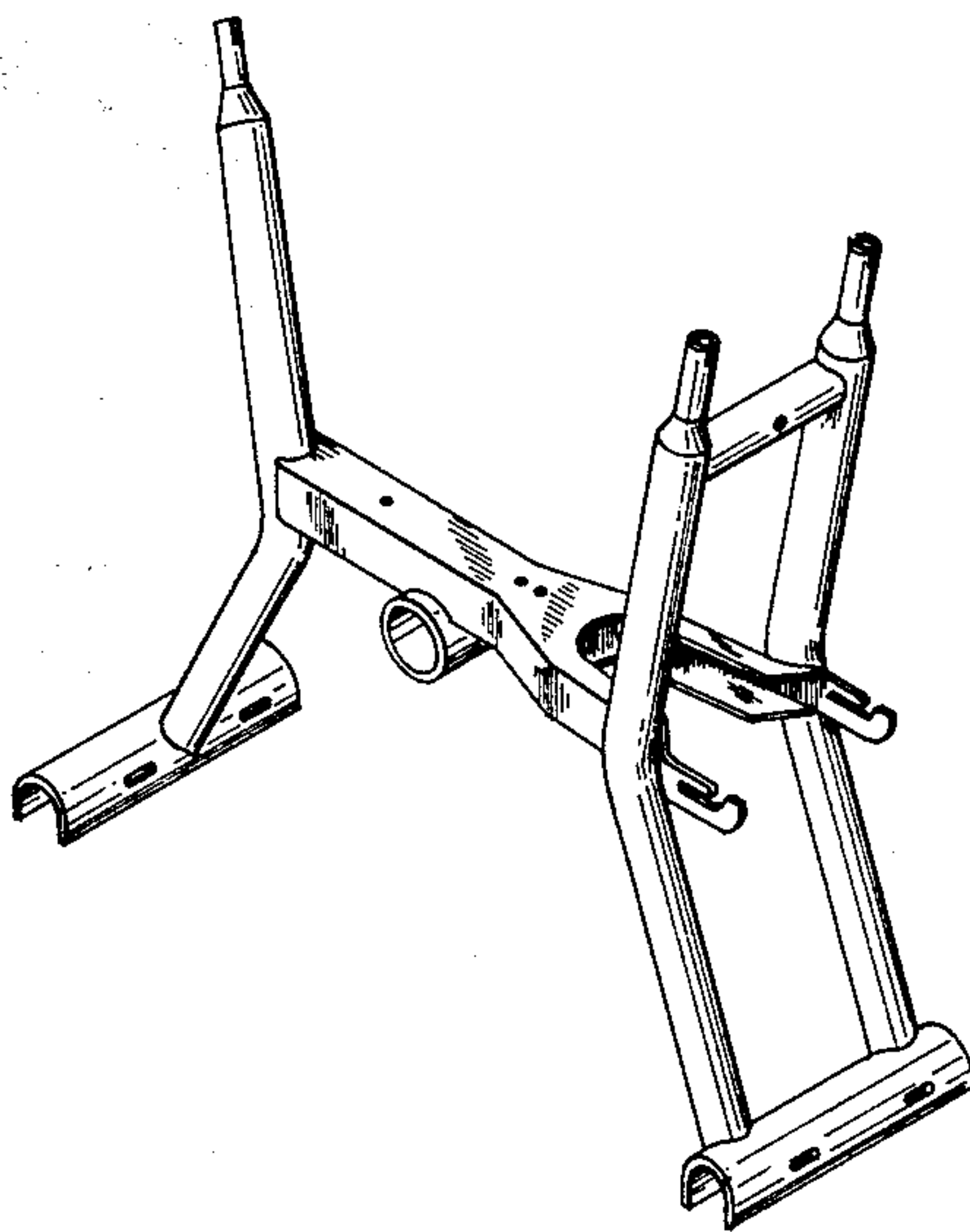


FIG-1

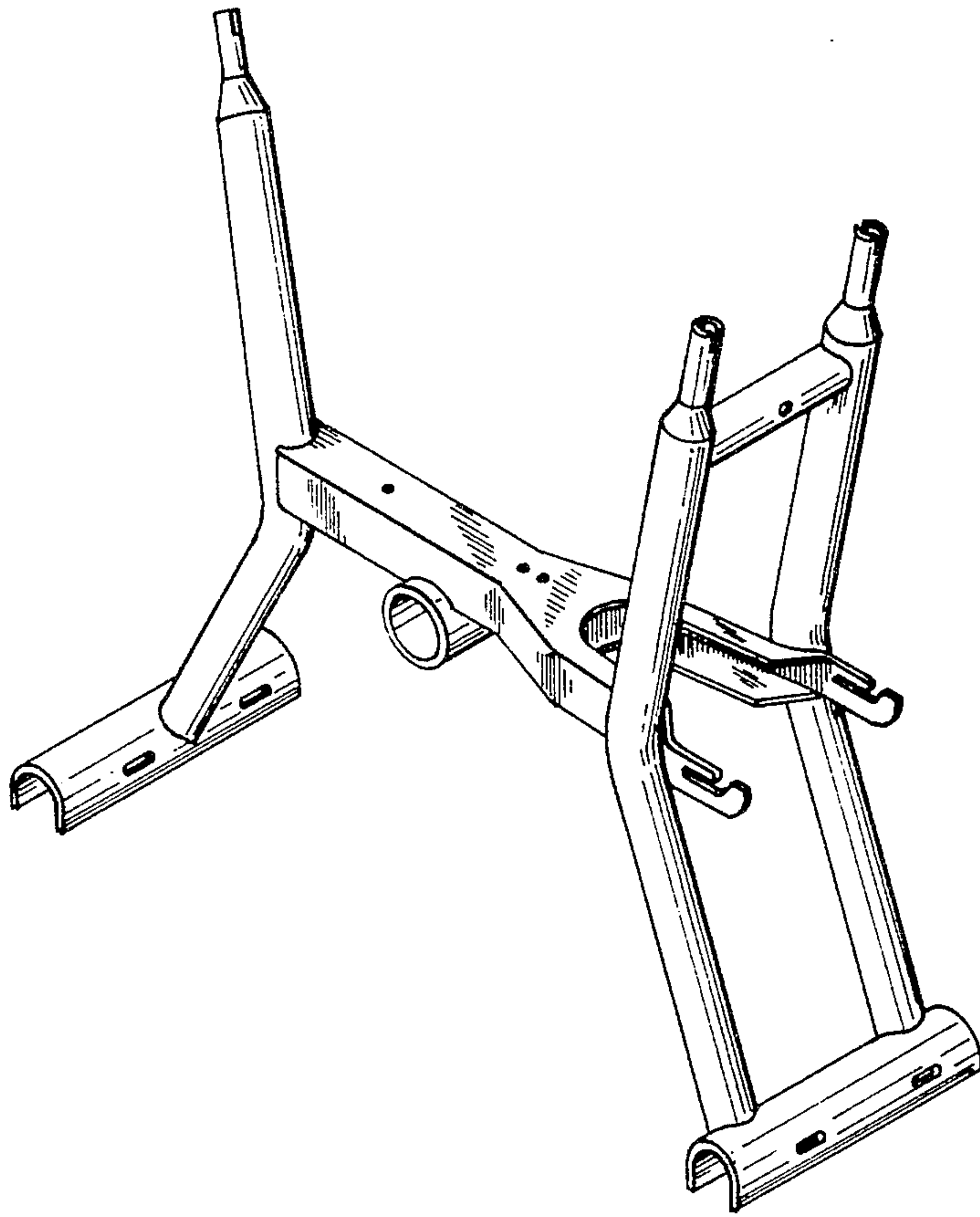


FIG-2

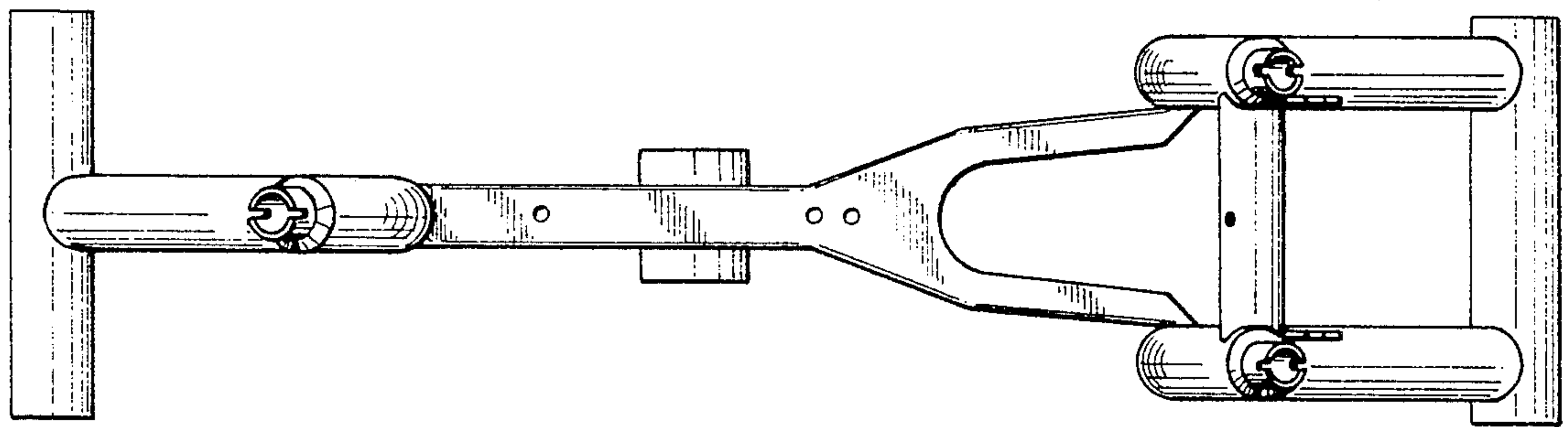


FIG-3

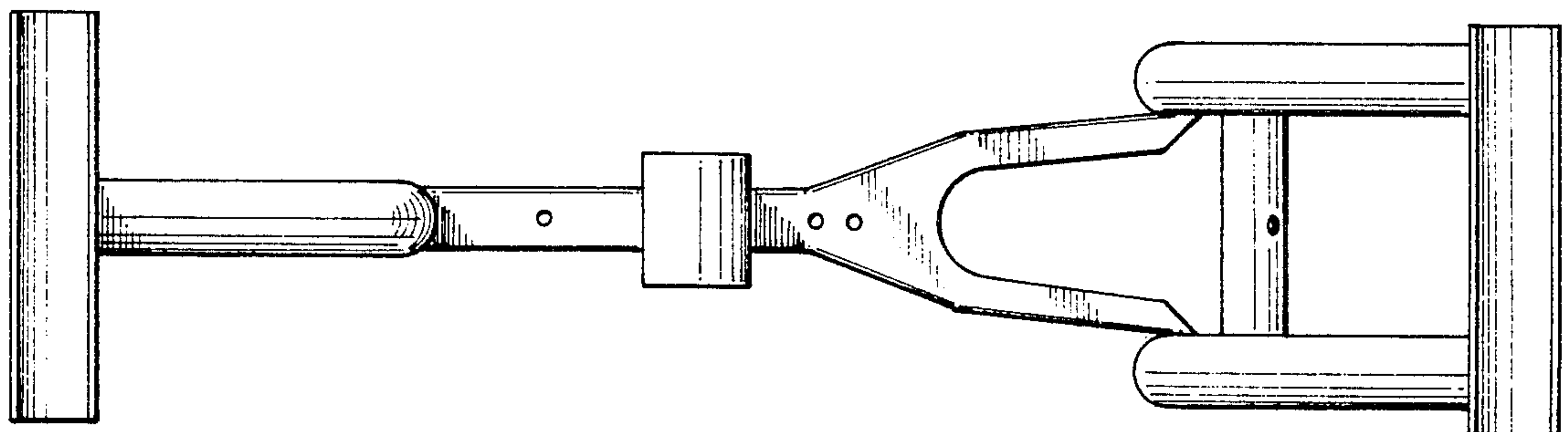


FIG-4

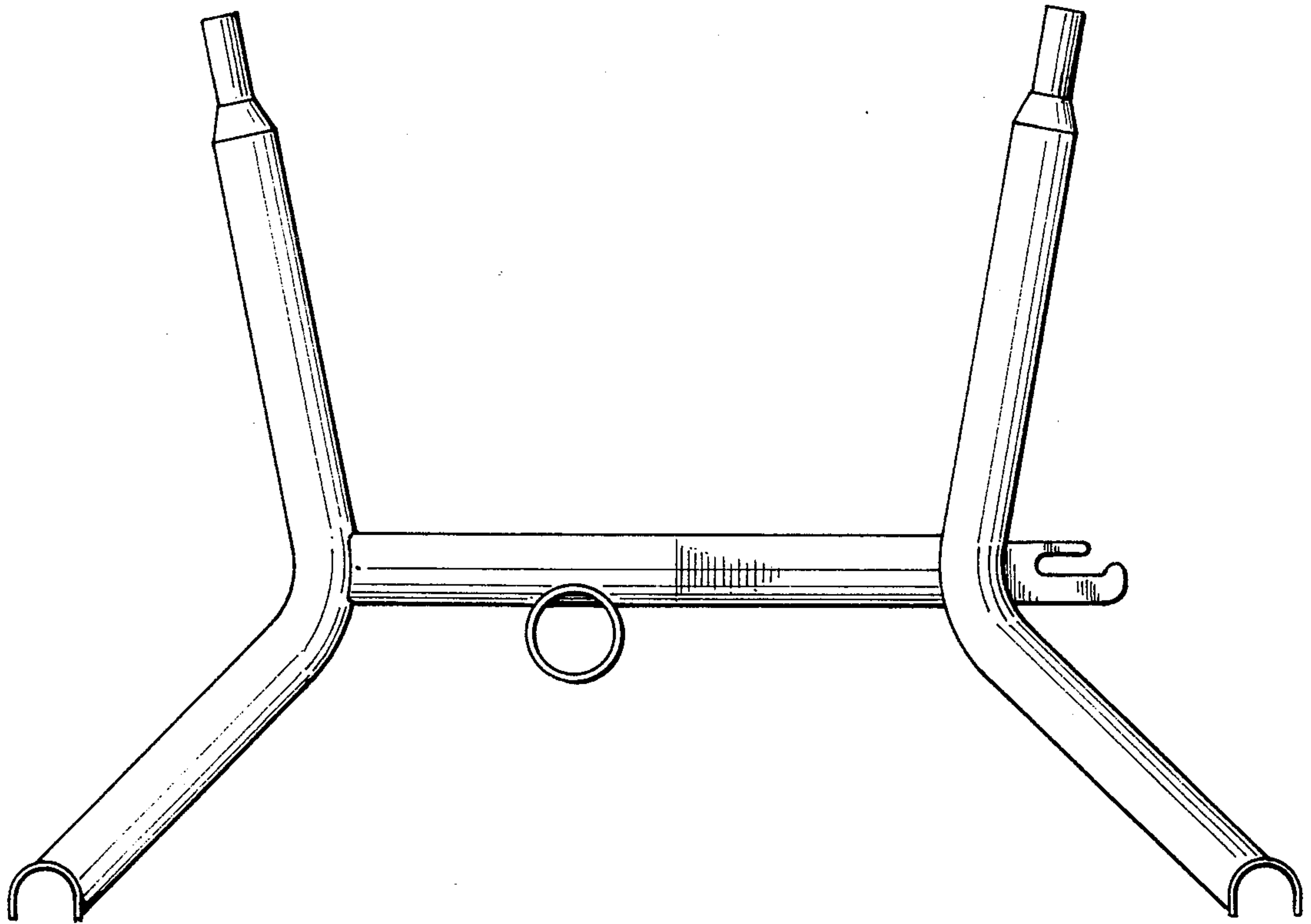


FIG-5

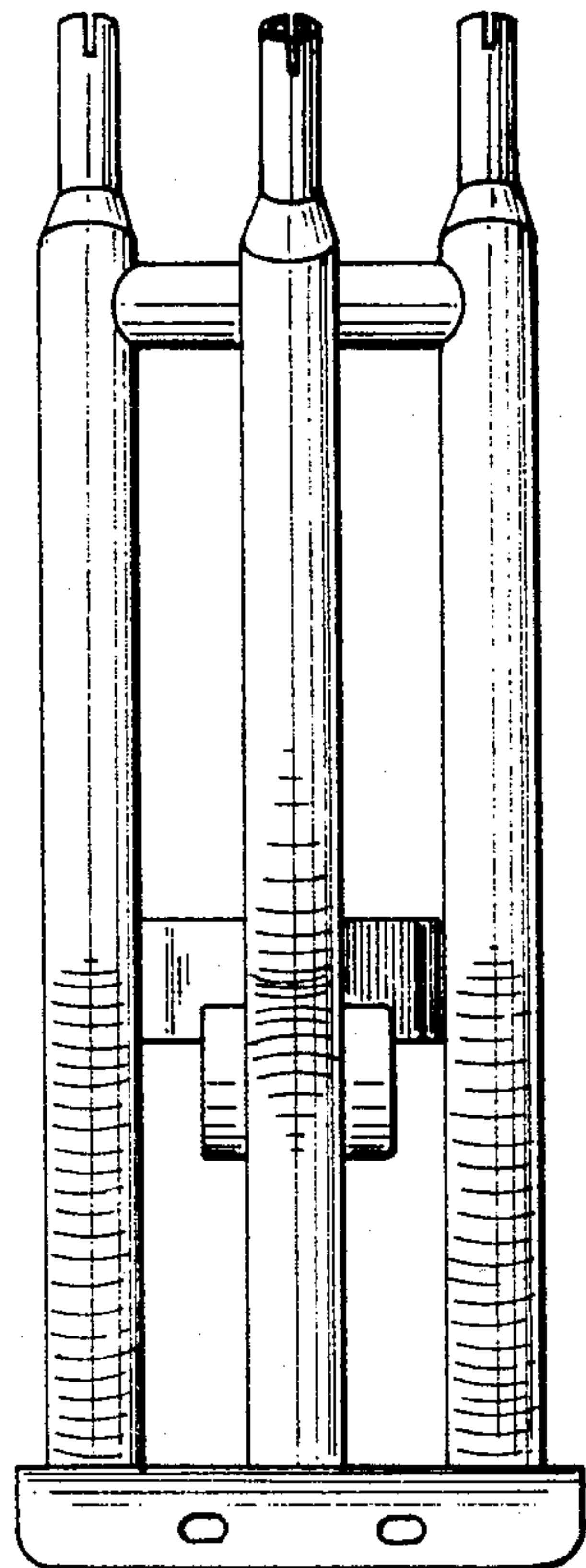


FIG-6

