

[54] **FRAME FOR EXERCISE CYCLE**

[75] **Inventor:** Gerald W. Collins, Cudahy, Wis.

[73] **Assignee:** Huffy Corporation, Dayton, Ohio

[\*\*] **Term:** 14 Years

[21] **Appl. No.:** 491,826

[22] **Filed:** May 5, 1983

[52] **U.S. Cl. ....** D21/194; D12/111

[58] **Field of Search ....** D21/194; 272/70.3, 73,  
272/132, Dig. 6; 73/379; D12/111, 117-119

[56] **References Cited**

**U.S. PATENT DOCUMENTS**

|            |         |                           |         |
|------------|---------|---------------------------|---------|
| D. 112,875 | 1/1939  | Ros .....                 | D12/111 |
| D. 218,338 | 8/1970  | Dimick et al. ....        | D21/194 |
| D. 264,235 | 5/1982  | Beistegui-Chirapozu ..... | D21/194 |
| 3,151,878  | 10/1964 | Uncles .....              | D12/111 |
| 3,940,128  | 2/1976  | Ragone .....              | 272/73  |

**FOREIGN PATENT DOCUMENTS**

458162 8/1968 Switzerland ..... 272/73

**OTHER PUBLICATIONS**

Sporting Goods Dealer, 9-1981, p. 12, "Cardio Cycle"-  
Frame.

*Primary Examiner*—Charles A. Rademaker  
*Attorney, Agent, or Firm*—Biebel, French & Nauman

[57] **CLAIM**

The ornamental design for a frame for exercise cycle,  
substantially as shown and described.

**DESCRIPTION**

FIG. 1 is a perspective view of a frame for exercise  
cycle showing my new design;  
FIG. 2 is a top plan view thereof;  
FIG. 3 is a bottom plan view thereof;  
FIG. 4 is a right side elevational view thereof;  
FIG. 5 is a left side elevational view thereof;  
FIG. 6 is a rear elevational view thereof; and  
FIG. 7 is a front elevational view thereof.

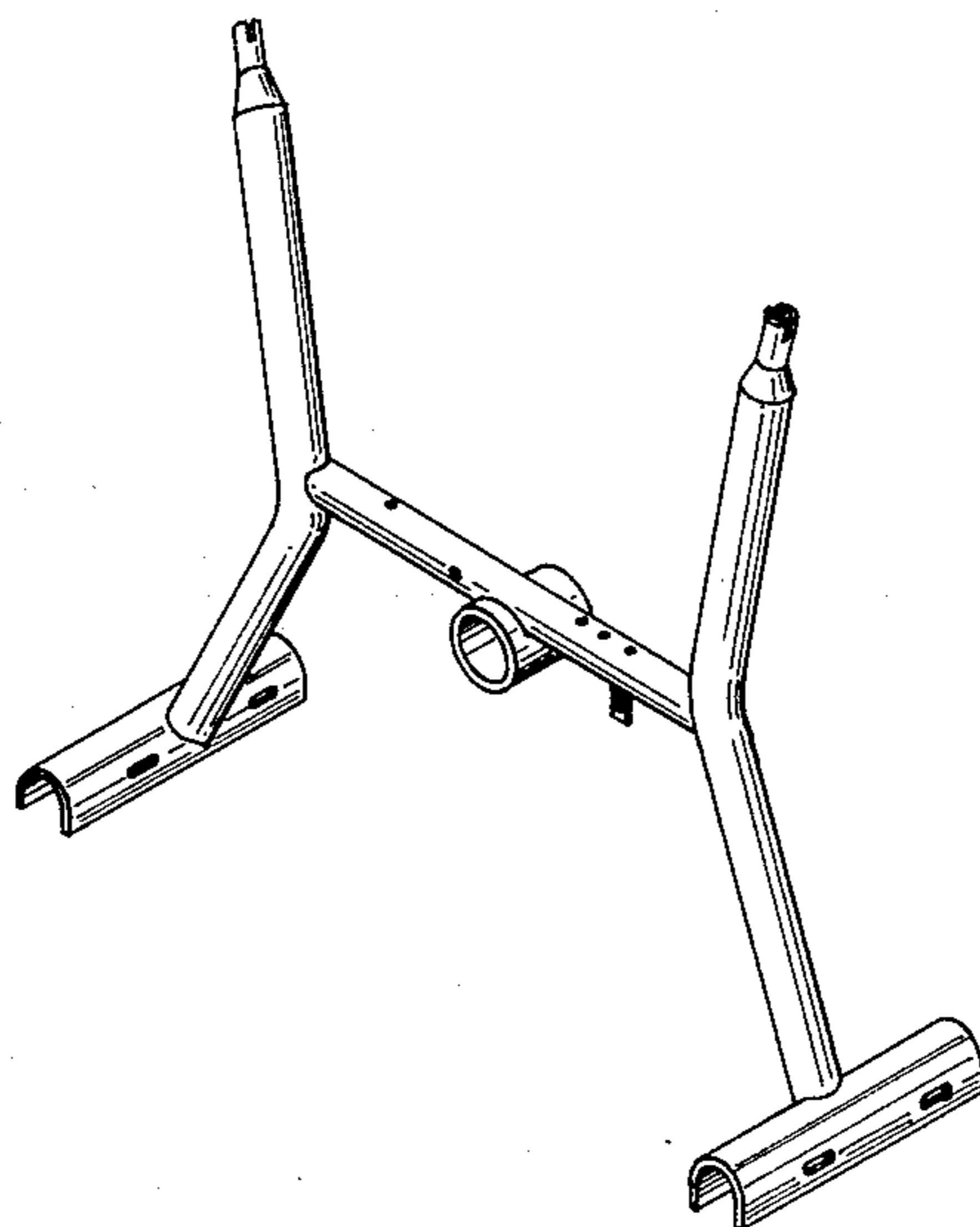


FIG-1

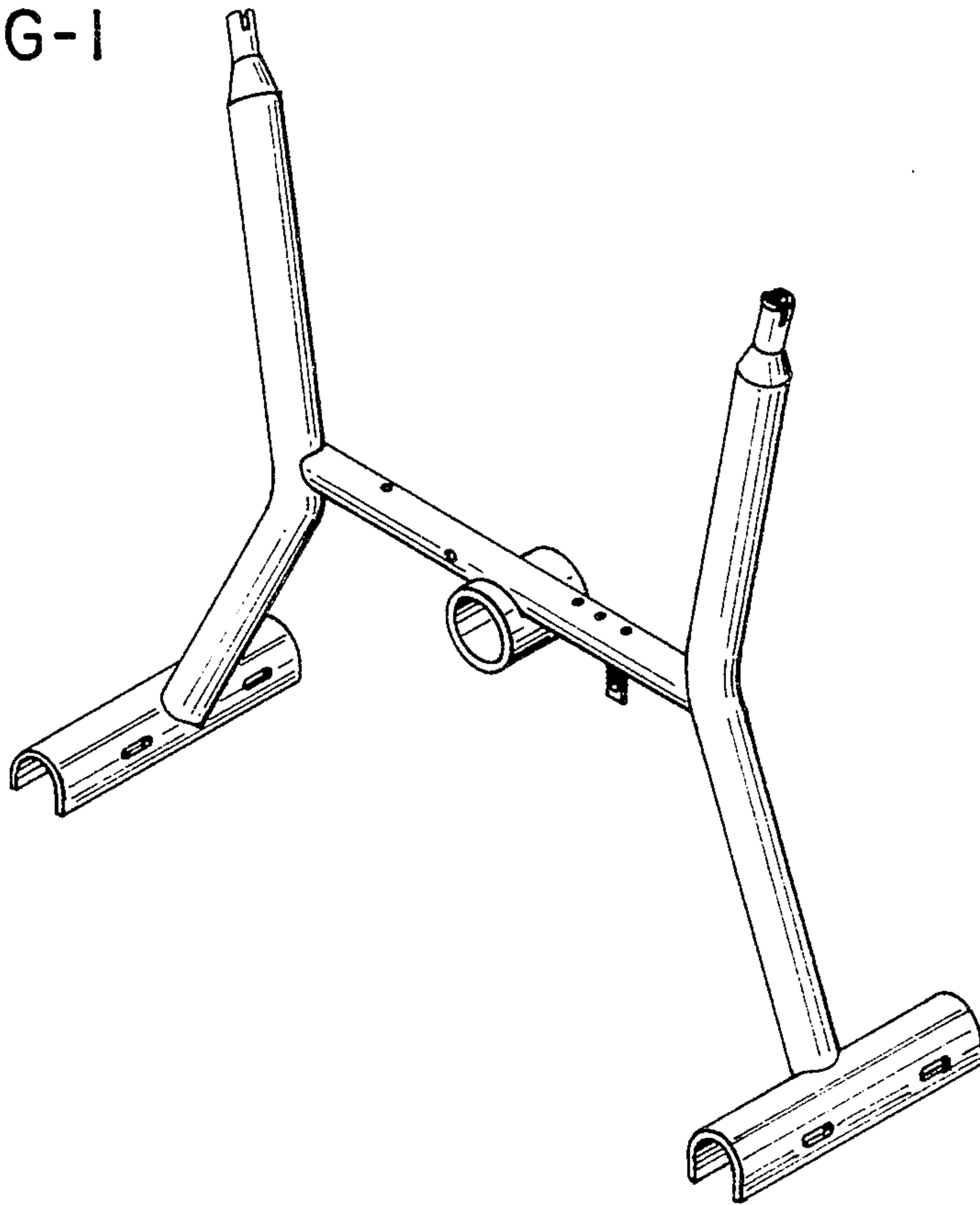


FIG-2

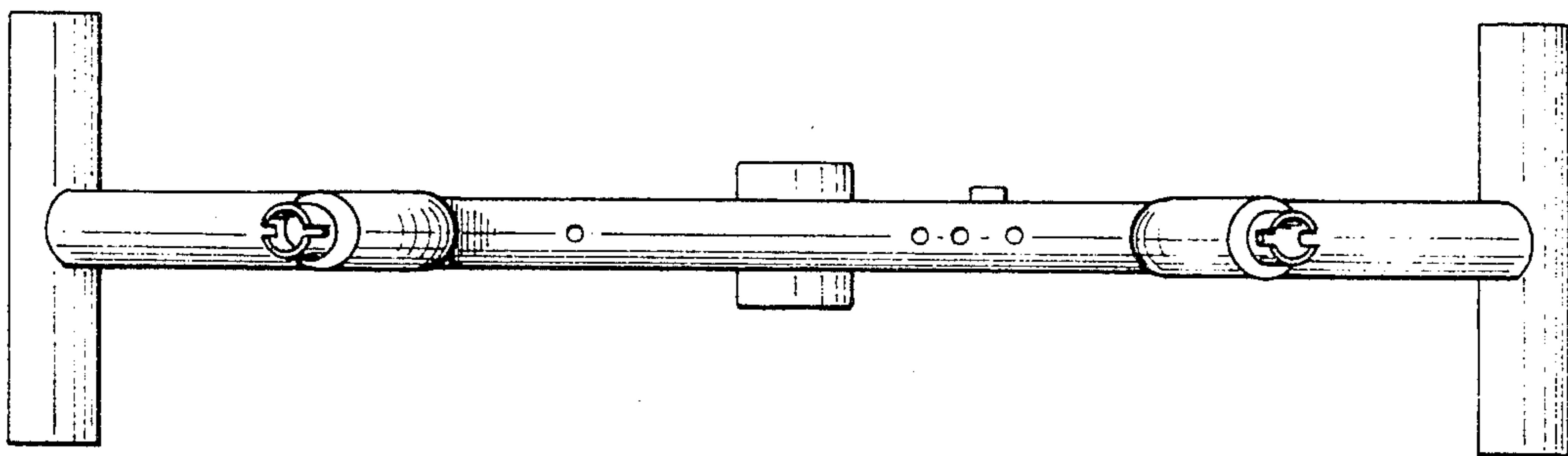


FIG-3

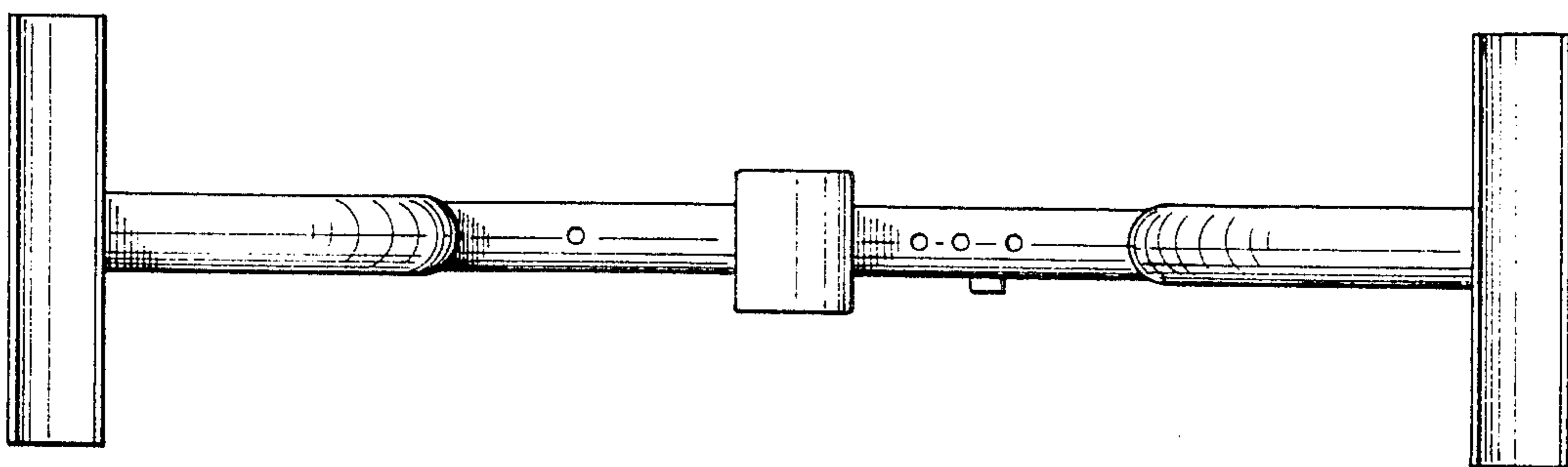


FIG-4

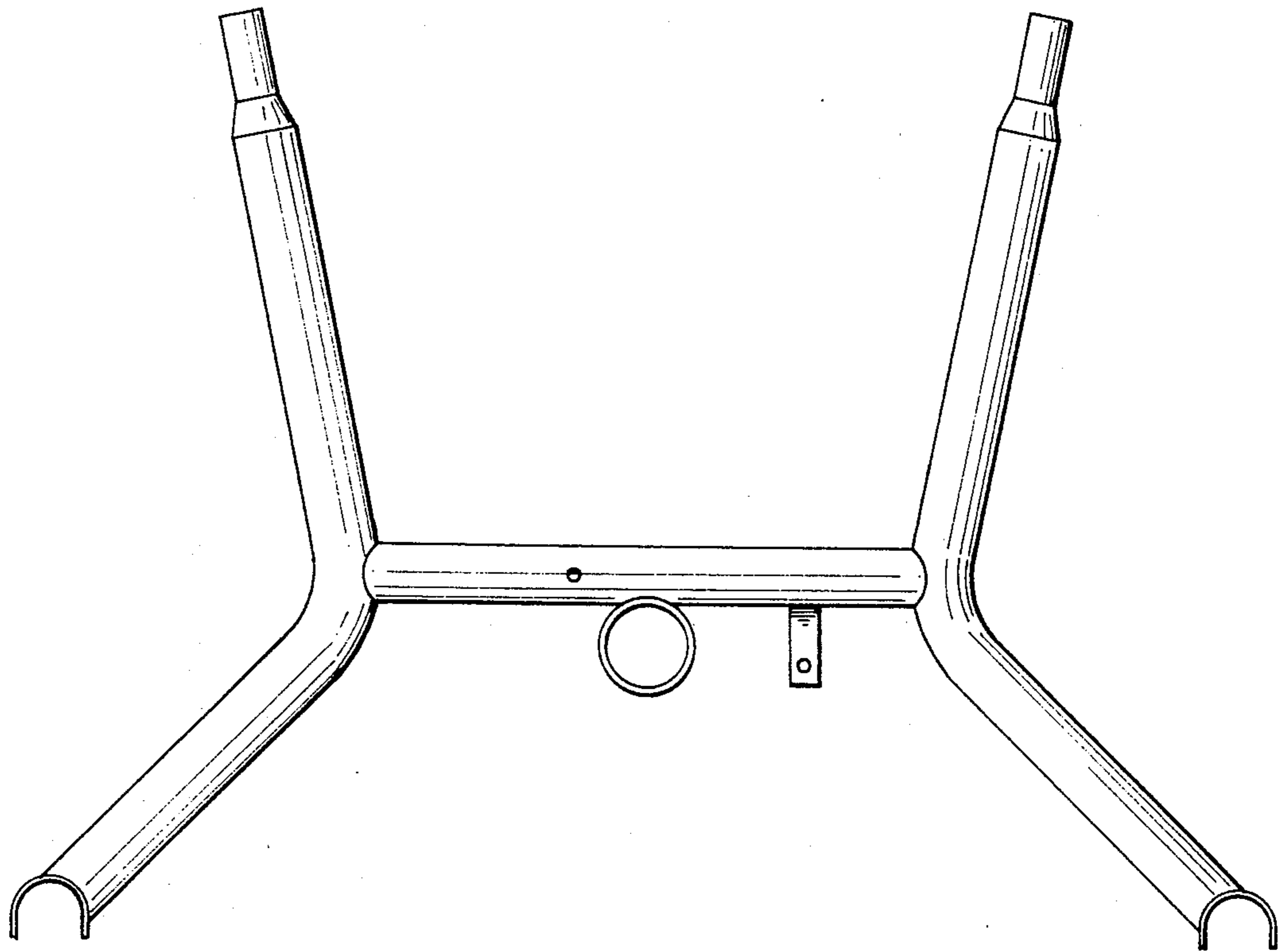


FIG-5

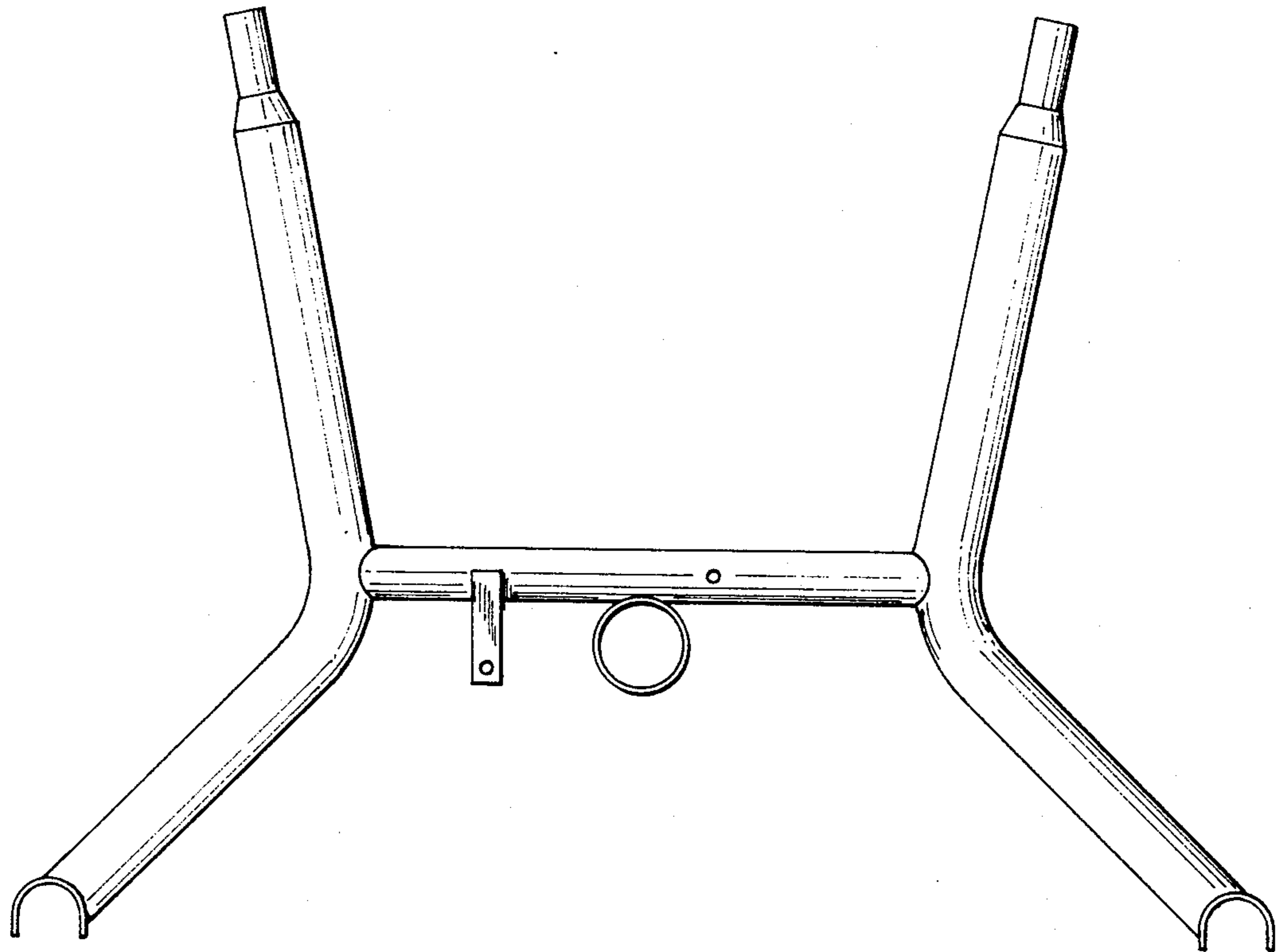


FIG-6

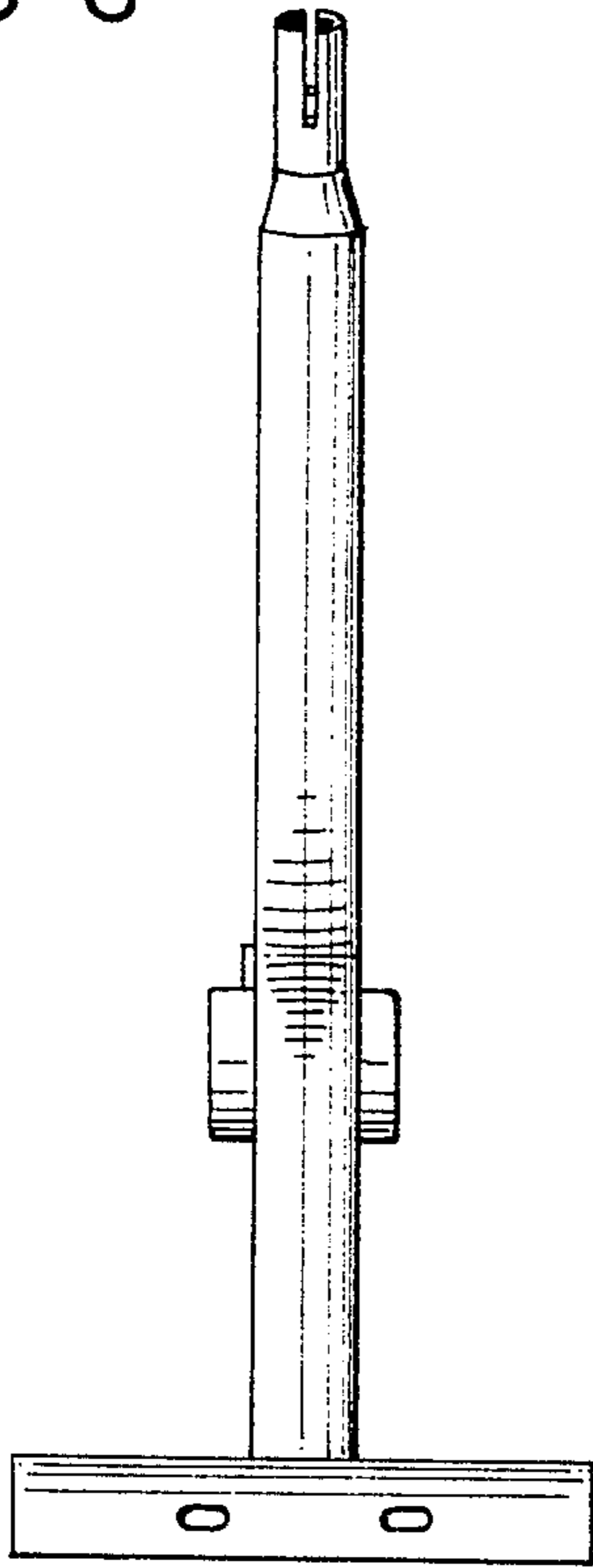


FIG-7

