

[54] THERAPEUTIC EXERCISER OR SIMILAR ARTICLE

[76] Inventor: Wayne H. McGowen, 4930 Mill Creek, Dallas, Tex. 75234

[**] Term: 14 Years

[21] Appl. No.: 544,277

[22] Filed: Oct. 21, 1983

[52] U.S. Cl. D21/191; D21/193

[58] Field of Search D21/191-199; 272/144, 134; 128/71; D29/64, 3

[56] References Cited

U.S. PATENT DOCUMENTS

- 4,232,662 11/1980 Barber 128/71
- 4,438,761 3/1984 McGowen 128/71

FOREIGN PATENT DOCUMENTS

445717 2/1968 Switzerland 128/71

OTHER PUBLICATIONS

Abercrombie & Fitch, Catalog, 1981, pp. 21, Item "J", Inersion System.

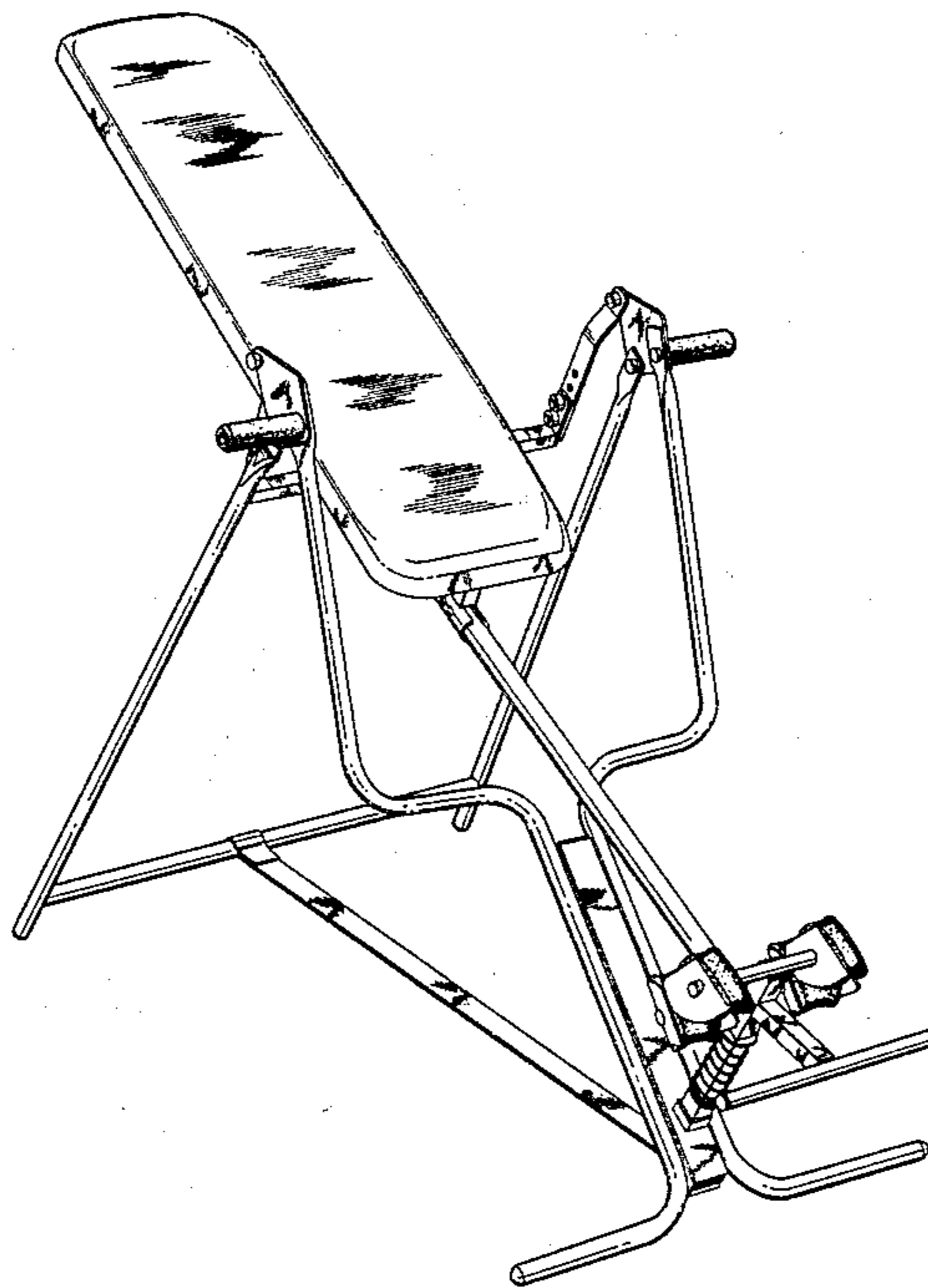
Primary Examiner—Charles A. Rademaker
Attorney, Agent, or Firm—Hubbard, Thurman, Turner & Tucker

[57] CLAIM

The ornamental design for a therapeutic exerciser or similar article, as shown and described.

DESCRIPTION

FIG. 1 is a front perspective view of a therapeutic exerciser or similar article showing my new design; FIG. 2 is a rear perspective view thereof; and FIG. 3 is a side elevational thereof, the side opposite being a mirror image.



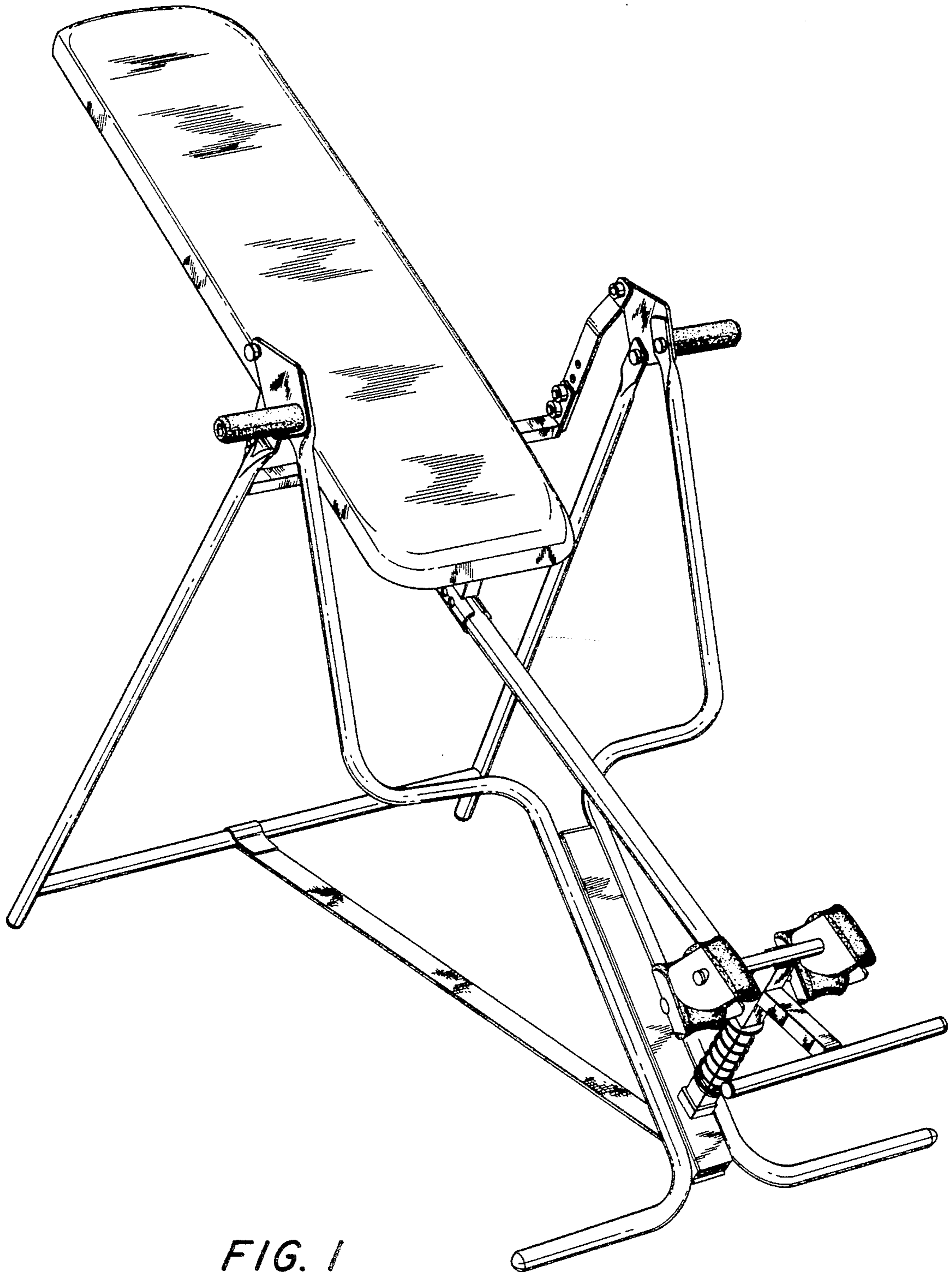


FIG. 1

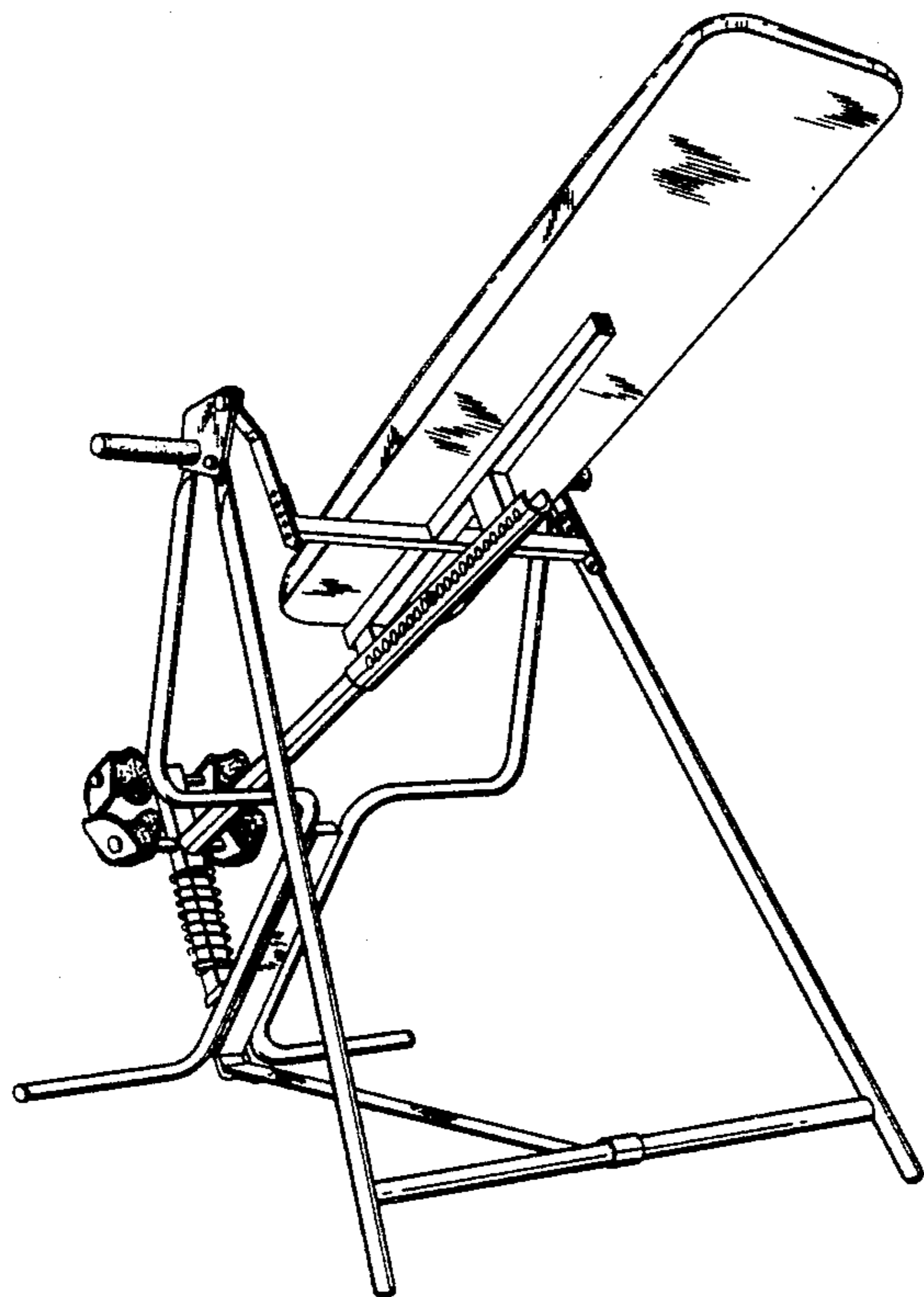


FIG. 2

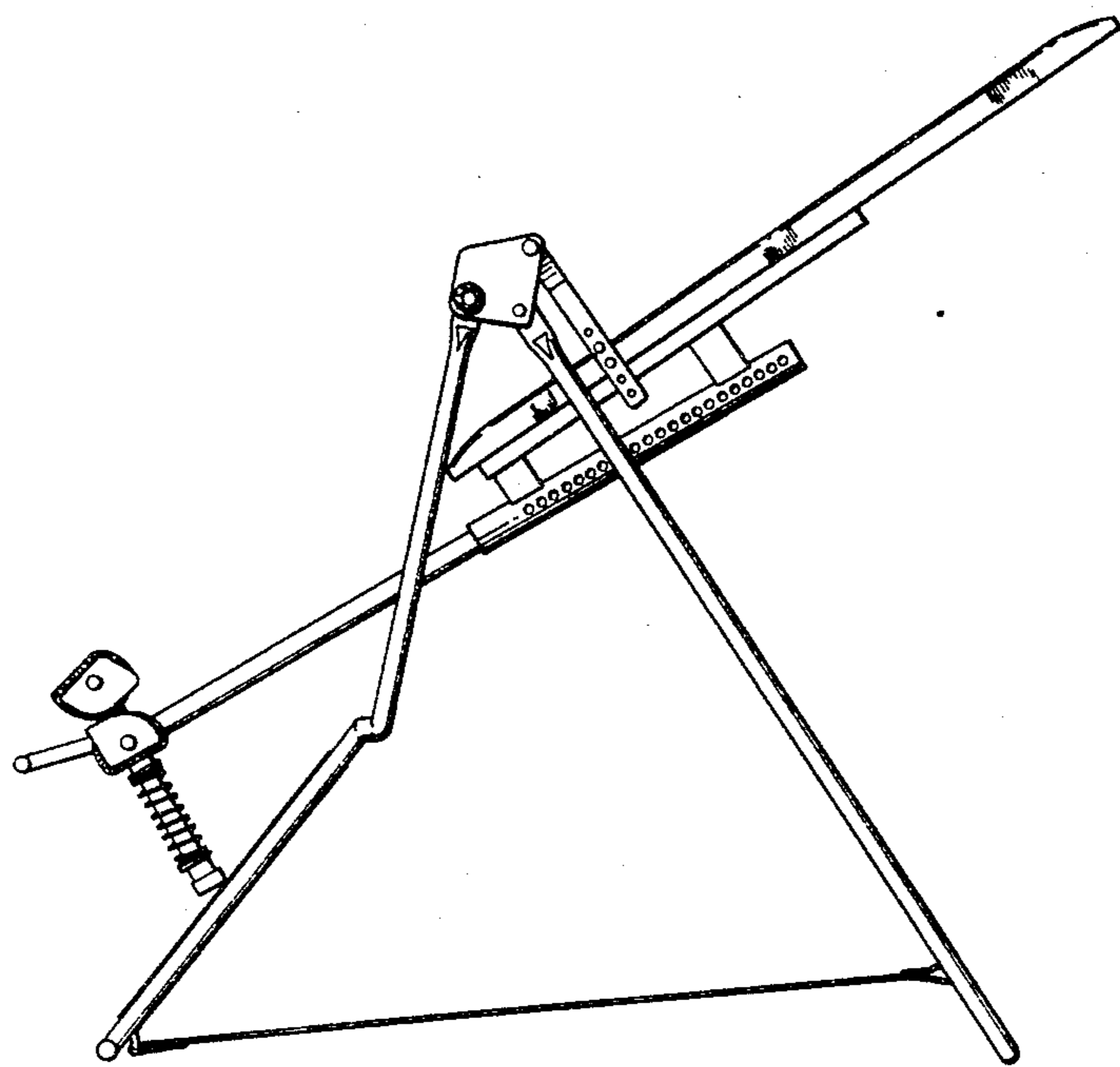


FIG. 3