

[54] **TOY TRUCK**

[75] **Inventor:** Kazutaka Takeuchi, Murakami
Yachiyo, Japan

[73] **Assignee:** Blue Box Toy Factory Limited, Hong
Kong

[**] **Term:** 14 Years

[21] **Appl. No.:** 444,544

[22] **Filed:** Nov. 26, 1982

[30] **Foreign Application Priority Data**

Jul. 8, 1982 [GB] United Kingdom 1007605

[52] **U.S. Cl.** D21/139

[58] **Field of Search** D21/76, 78, 79, 80,
D21/128, 132, 134, 155, 136, 137, 138, 139, 140;
D12/96-97; 446/441, 449, 451, 457, 465

[56] **References Cited**

U.S. PATENT DOCUMENTS

D. 163,677 6/1951 Brumbaugh D12/96
D. 191,664 10/1961 Brown D12/97
D. 211,808 7/1968 Genin D21/139

OTHER PUBLICATIONS

Sears 1982 Xmas Catalog, p. 594, Item #11, Toy Truck.

Primary Examiner—Charles A. Rademaker
Attorney, Agent, or Firm—Pollock, Vande Sande &
Priddy

[57] **CLAIM**

The ornamental design for a toy truck, as shown.

DESCRIPTION

FIG. 1 is a perspective view of a toy truck showing my
new design;

FIG. 2 is a side elevational view thereof;

FIG. 3 is a bottom plan view thereof; and,

FIG. 4 is a rear elevational view thereof.

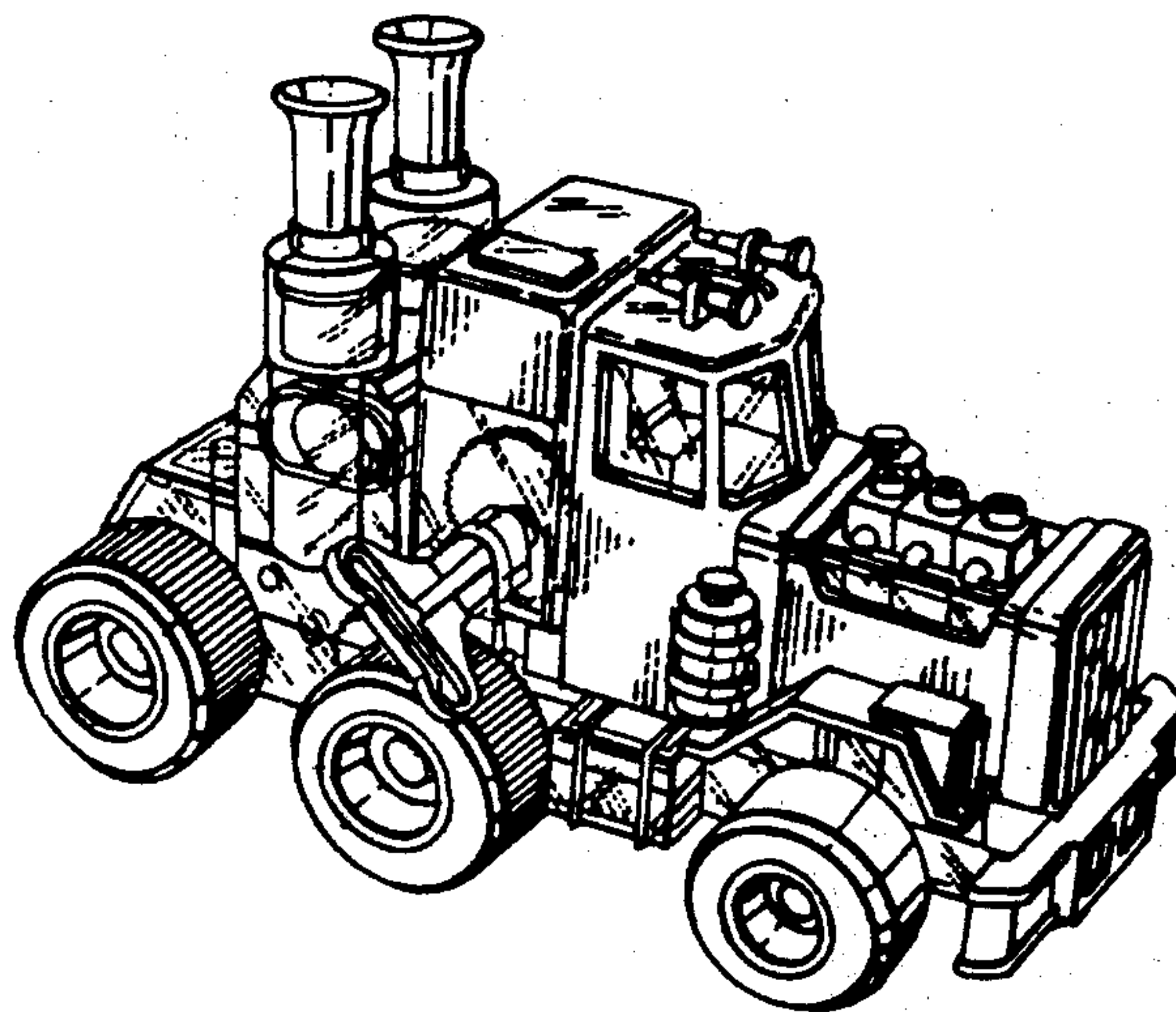


FIG. 1.

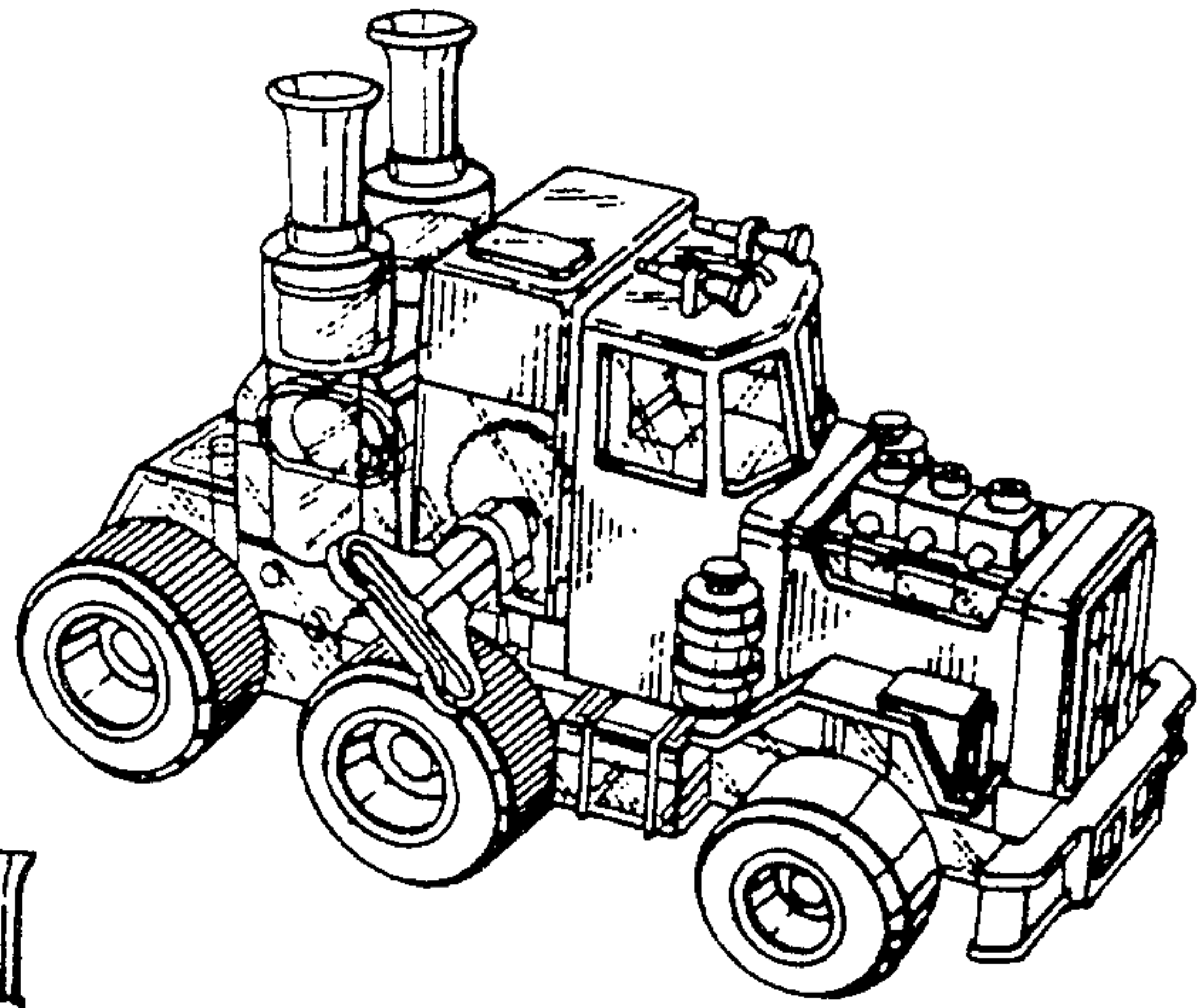


FIG. 2.

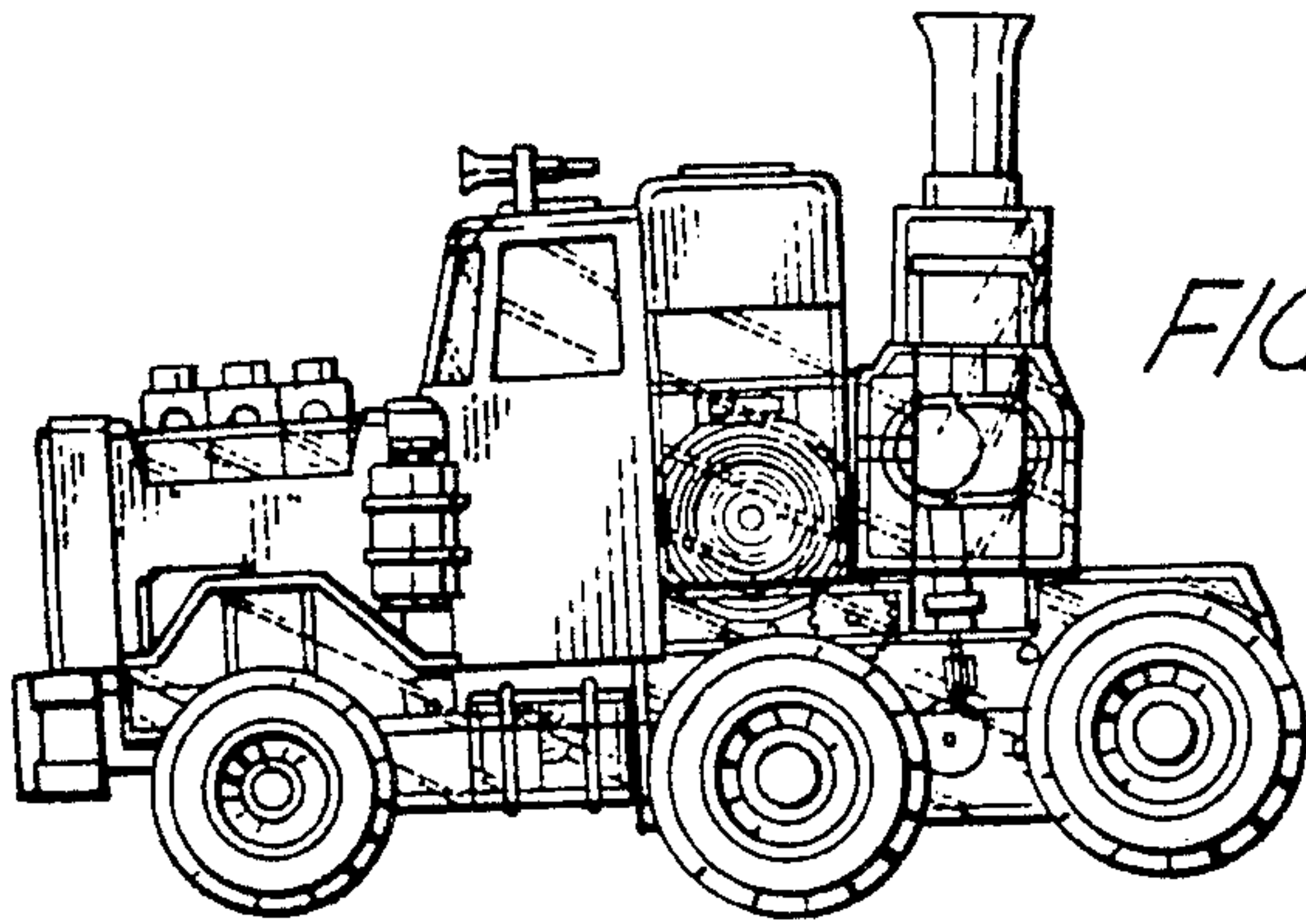


FIG. 3.

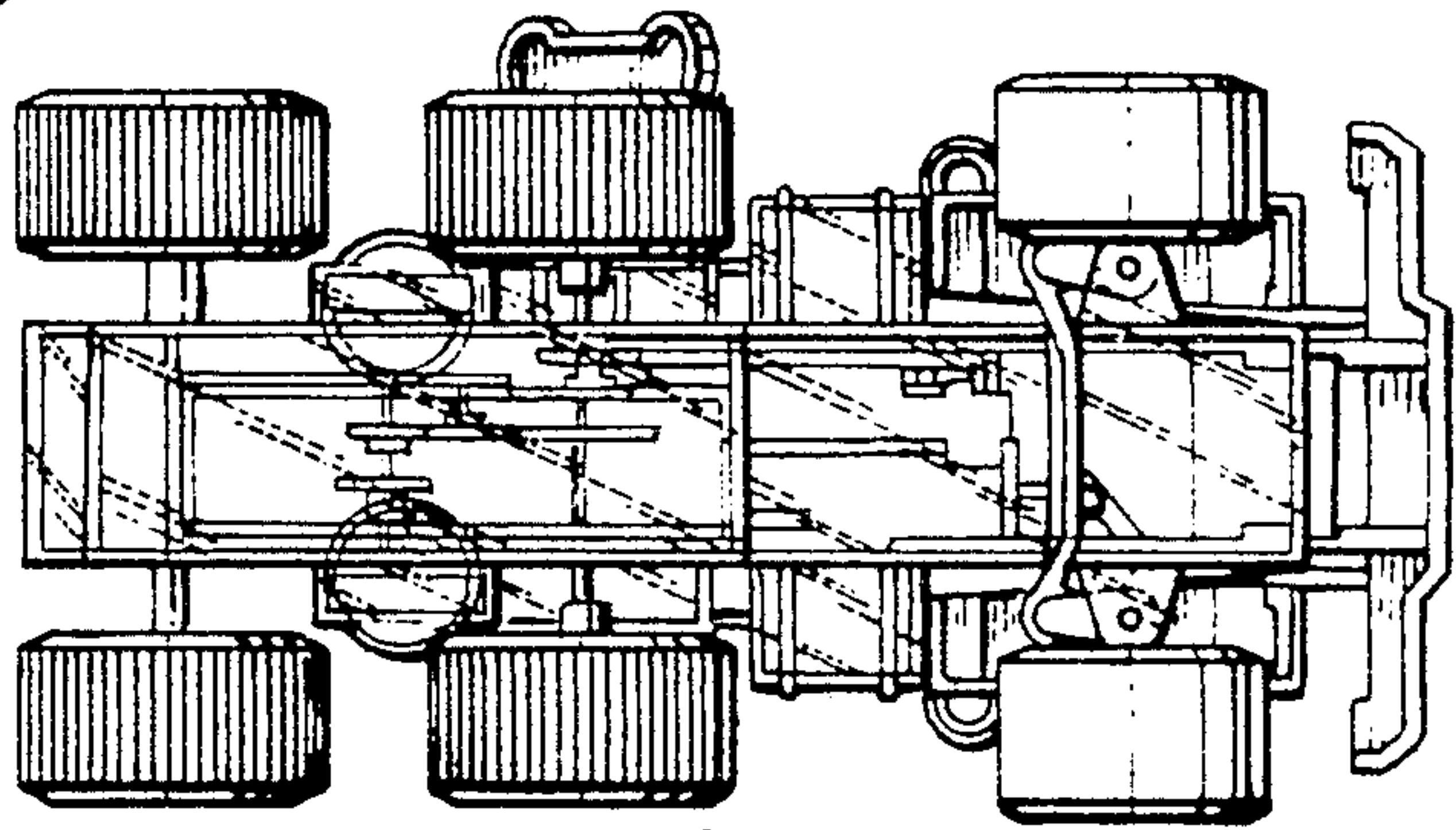


FIG. 4.

