

[54] HOLDER FOR FLAT ARTICLES SUCH AS DISPLAY CARDS OR THE LIKE

[75] Inventor: Robert M. Brus, Apple Valley, Minn.

[73] Assignee: The Toro Company, Minneapolis, Minn.

[\*\*] Term: 14 Years

[21] Appl. No.: 481,560

[22] Filed: Apr. 4, 1983

[52] U.S. Cl. .... D20/43

[58] Field of Search ..... D20/43; 40/10 R, 11 R, 40/11 A, 16, 16.2, 16.4, 16.6, 316, 308

[56] References Cited

U.S. PATENT DOCUMENTS

- D. 208,084 7/1967 Hopp ..... D20/43
- D. 208,105 7/1967 Haber ..... D20/43
- D. 229,706 12/1973 Lewis ..... D20/43 X
- 363,525 5/1887 Lipp ..... 40/11 R

- 973,731 10/1910 Watkins ..... 40/11 R
- 2,049,855 8/1936 Meyer ..... 40/16.6 X
- 3,322,381 5/1967 Bubb ..... 40/10 R X
- 3,360,876 1/1968 Nestegard ..... 40/10 R
- 3,539,204 11/1970 Keller ..... 40/10 R X
- 4,292,749 10/1981 Thomas ..... 40/308

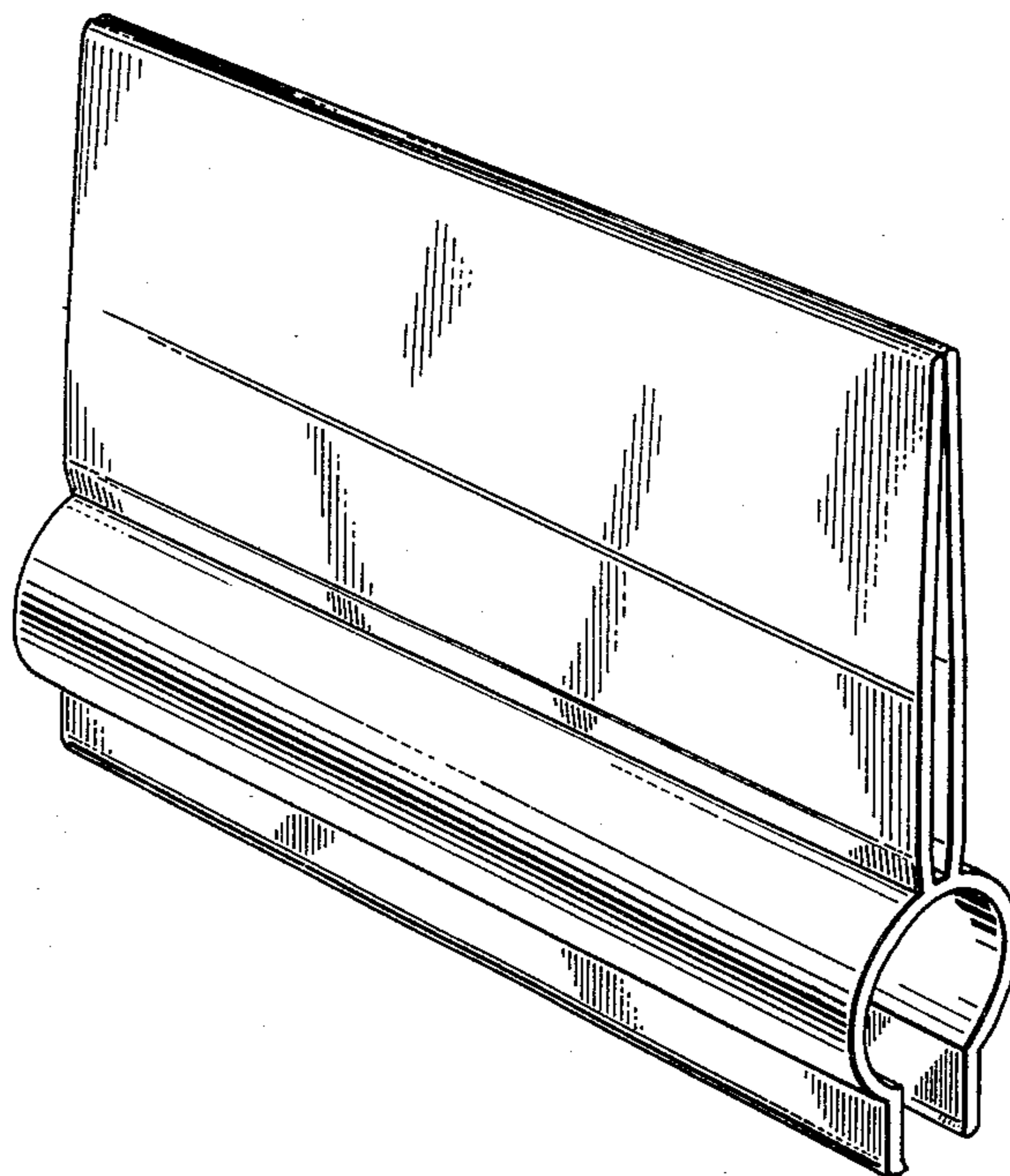
Primary Examiner—Catherine E. Kemper  
Attorney, Agent, or Firm—Joseph P. Martin

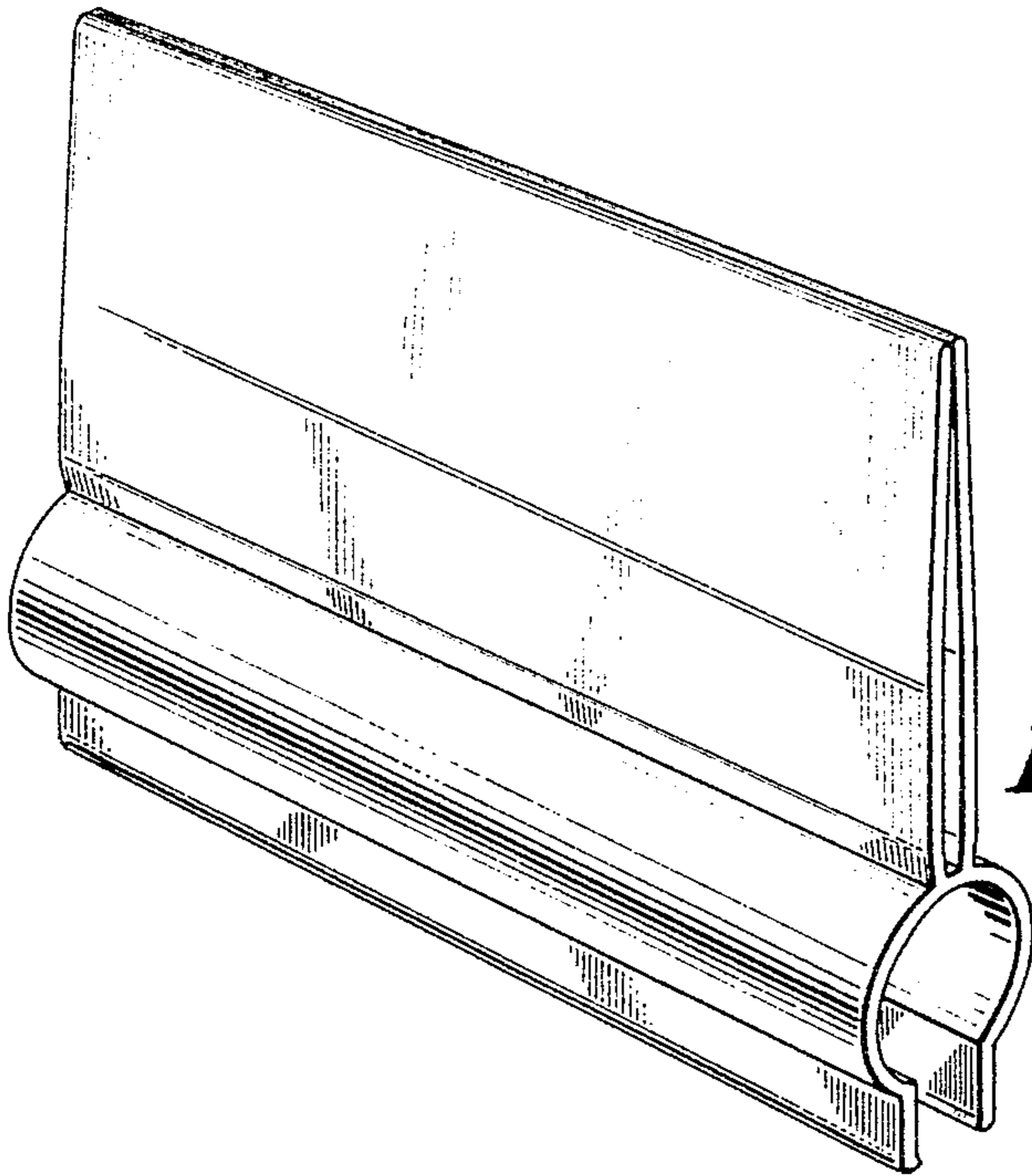
[57] CLAIM

The ornamental design for a holder for flat articles such as display cards or the like, as shown.

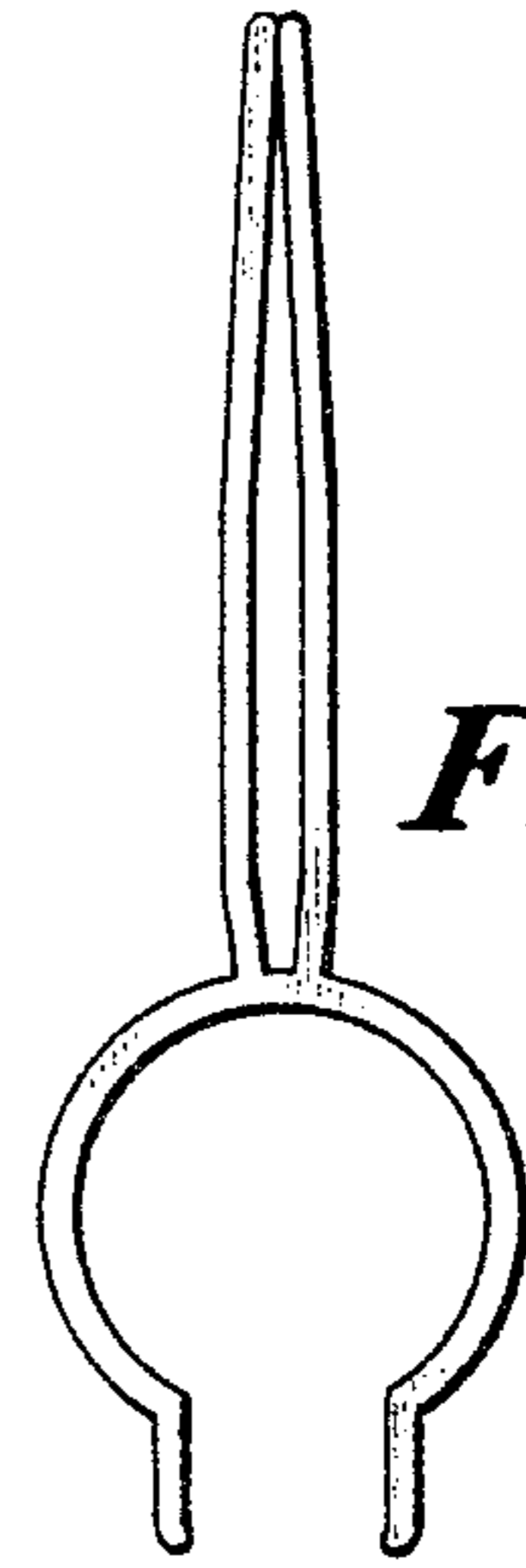
DESCRIPTION

FIG. 1 is a perspective view of a holder for flat articles such as display cards or the like showing my new design;  
 FIG. 2 is a side elevational view thereof;  
 FIG. 3 is a front elevational view thereof;  
 FIG. 4 is a top plan view thereof; and  
 FIG. 5 is a bottom plan view thereof.

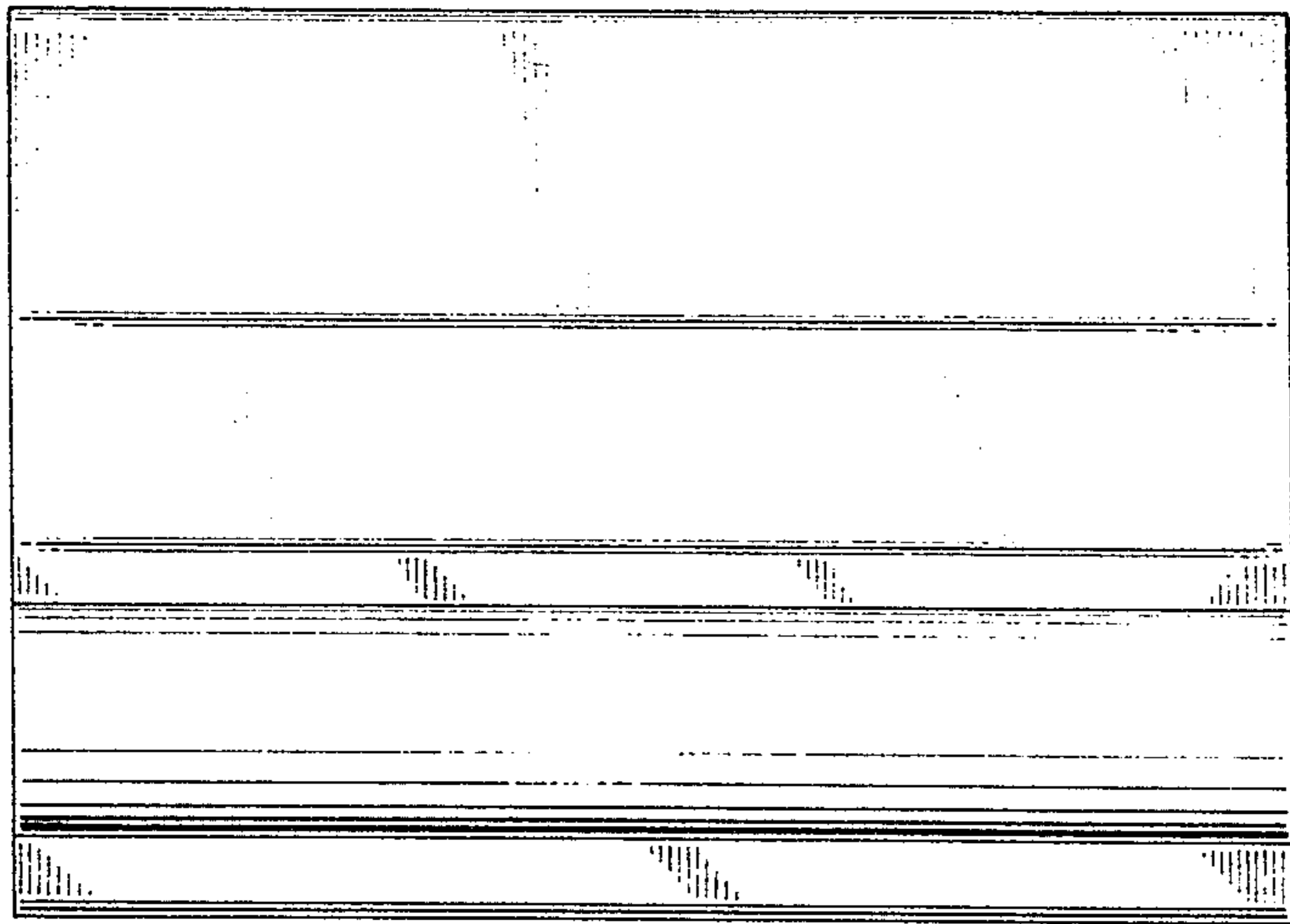




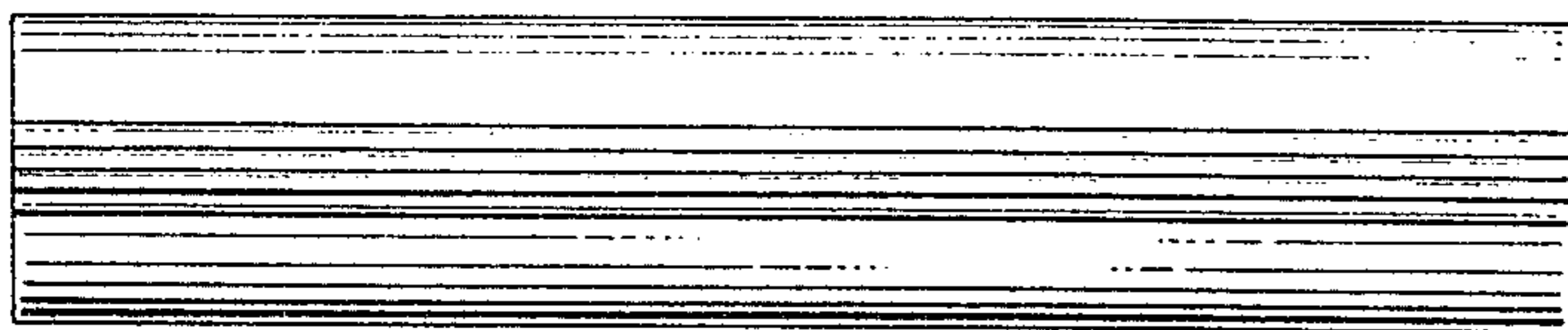
*Fig 1*



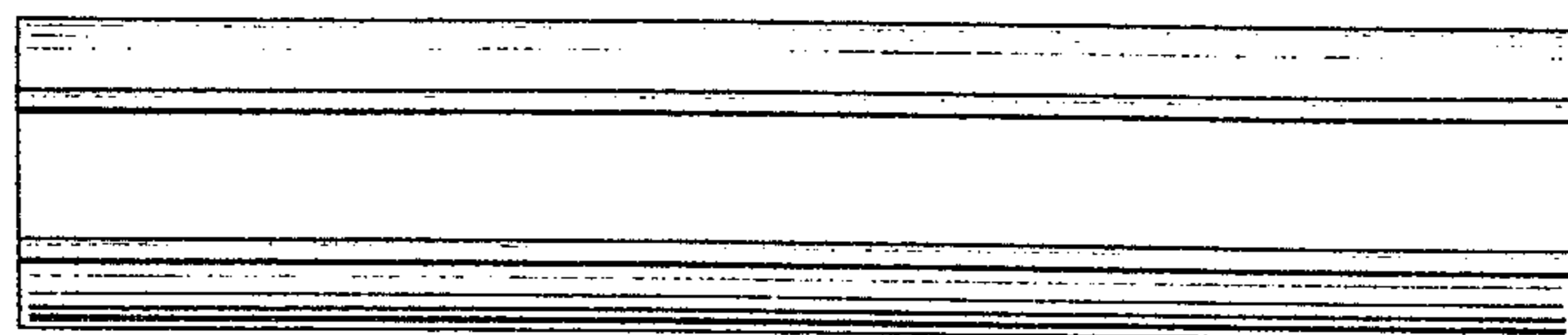
*Fig 2*



*Fig 3*



*Fig 4*



*Fig 5*