

[54] **CLEANING CARD FOR INK JET PRINT HEAD OR SIMILAR ARTICLE**

[75] Inventors: **Arthur M. Lewis; Aldo Scudo**, both of Ridgefield, Conn.

[73] Assignee: **Exxon Research and Engineering Co.**, Florham Park, N.J.

[**] Term: **14 Years**

[21] Appl. No.: **467,423**

[22] Filed: **Feb. 17, 1983**

[52] U.S. Cl. **D18/99; D18/22; D32/40**

[58] Field of Search **D14/114; D18/18, 22, D18/99, 12; 15/210 R**

[56] **References Cited**

U.S. PATENT DOCUMENTS

2,886,841	5/1959	Wilcox	15/210 R X
3,439,922	4/1969	Howard	15/210 R X
3,961,392	6/1976	Young	15/210 R X
4,329,753	5/1982	Weil	15/210 X R

OTHER PUBLICATIONS

Texwipe, Pamphlet Entitled "Contamination Control

for EDP Environments" Including Descriptions of Printer Preventive Maintenance Kit TX212 and Mag/-Stripe Card Reader Cleaning Kit.

Xerographic Copy of Each Side of a "Honeywell Cleaning Badge for Badge Reader", part number 53601023-701 Rev. D. With a Foam Strip Being Indicated by the Cross-Hatched Area.

Primary Examiner—Susan J. Lucas
Attorney, Agent, or Firm—Kenneth Watov

[57] **CLAIM**

The ornamental design for a cleaning card for ink jet print head or similar article, as shown and described.

DESCRIPTION

FIG. 1 is a left-side, front perspective view of a cleaning card for ink jet print head or similar article showing our new design;

FIG. 2 is a front elevational view thereof;

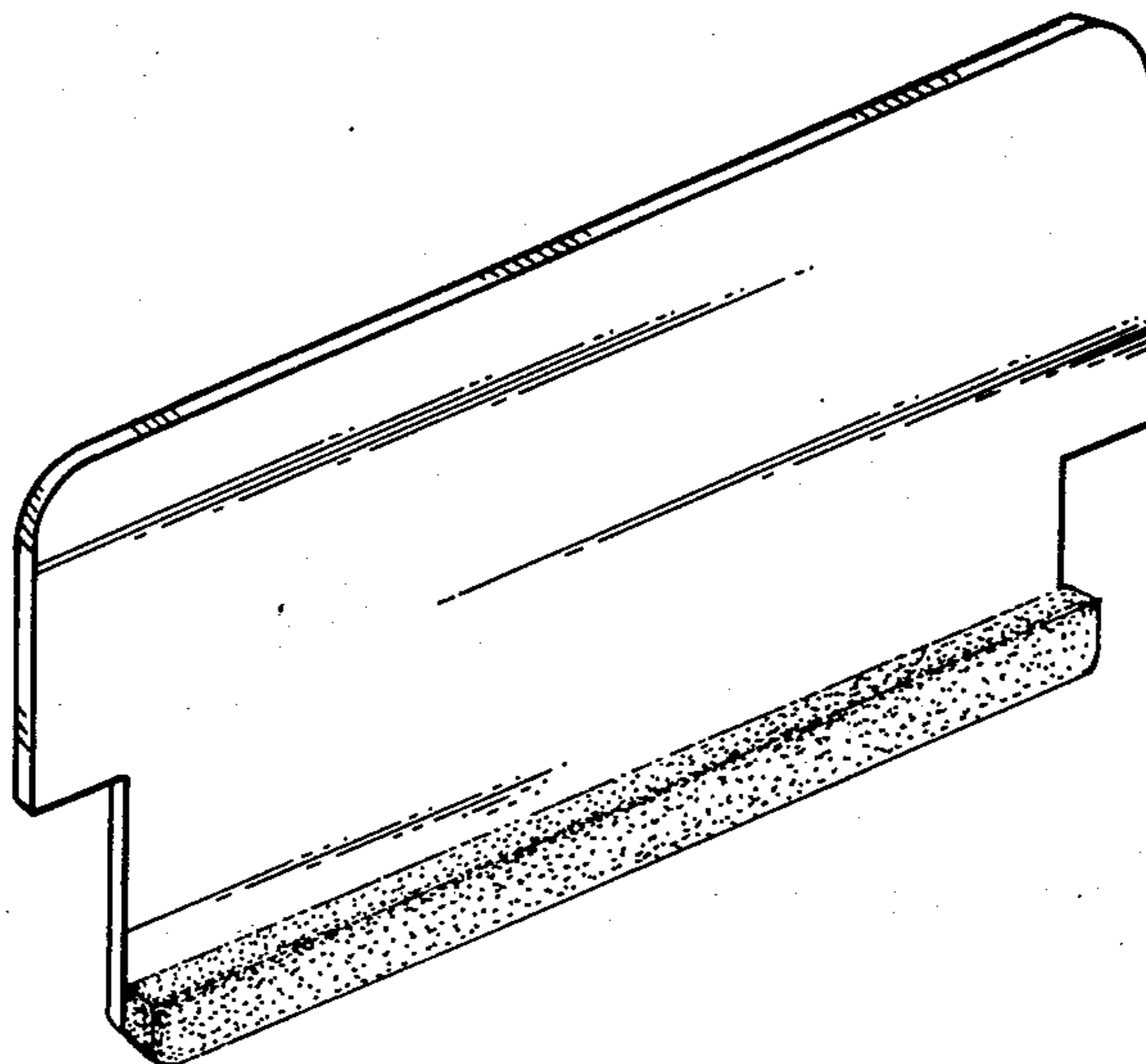
FIG. 3 is a rear elevational view thereof;

FIG. 4 is a left-side elevational view thereof;

FIG. 5 is a right-side elevational view thereof;

FIG. 6 is a top plan view thereof;

FIG. 7 is a bottom plan view thereof.



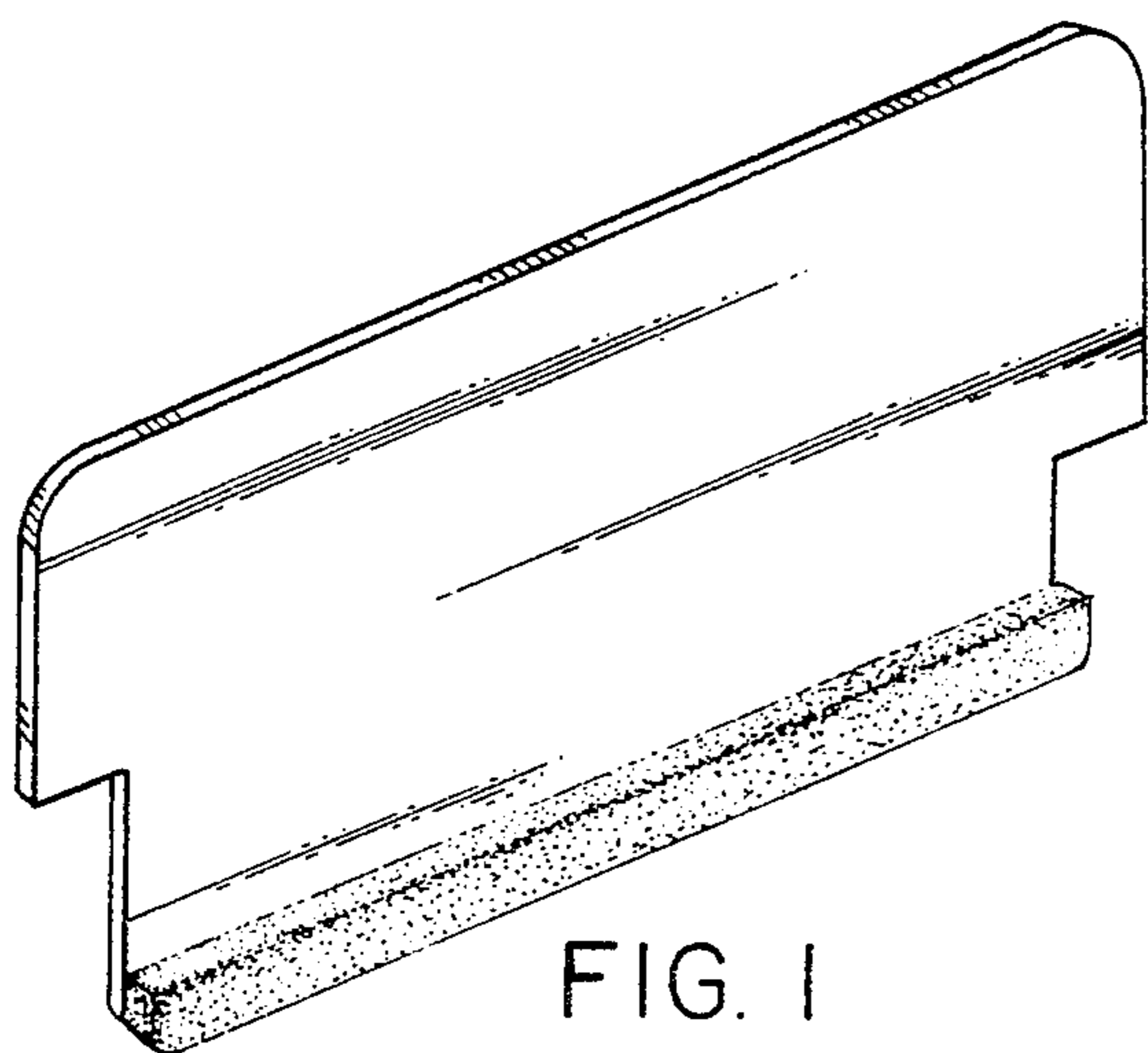


FIG. 1

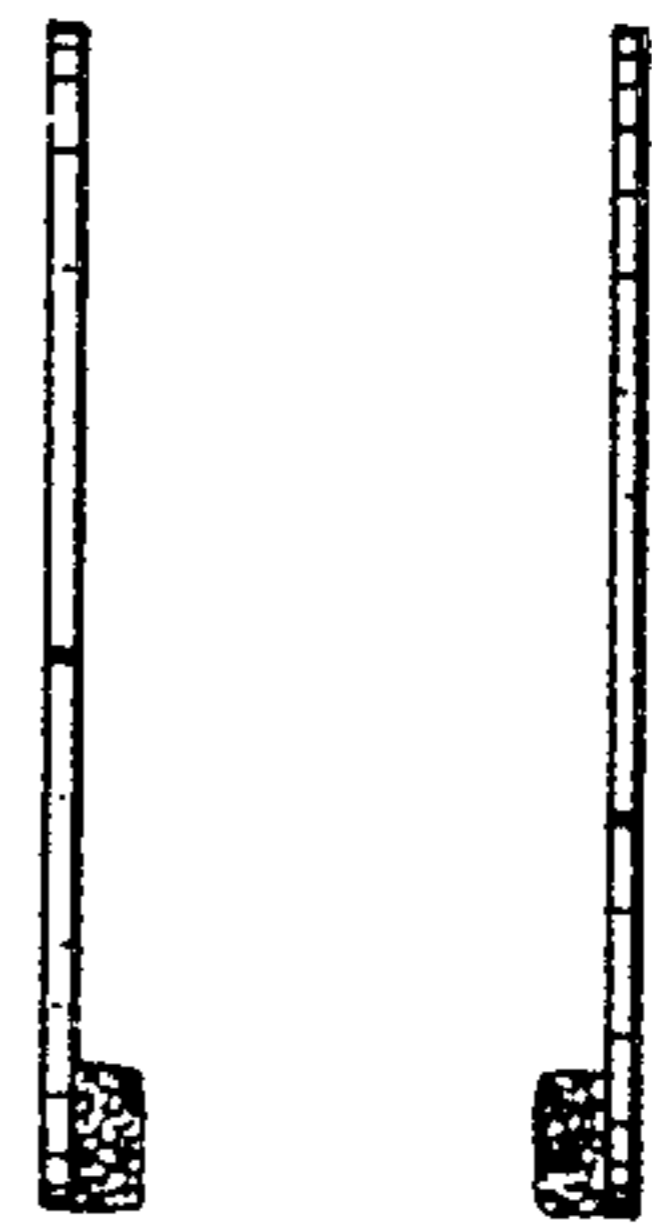


FIG. 4 FIG. 5

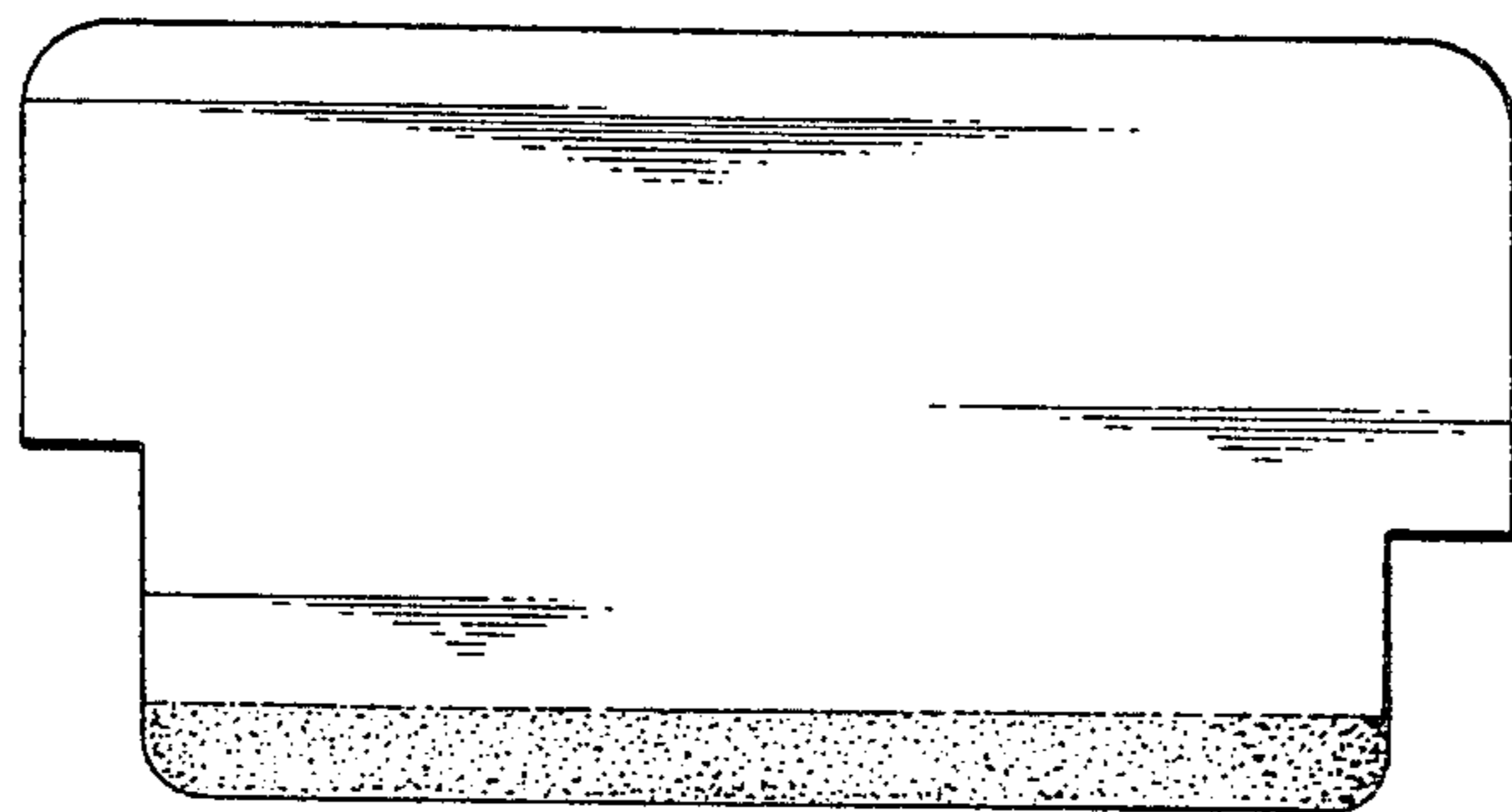


FIG. 2

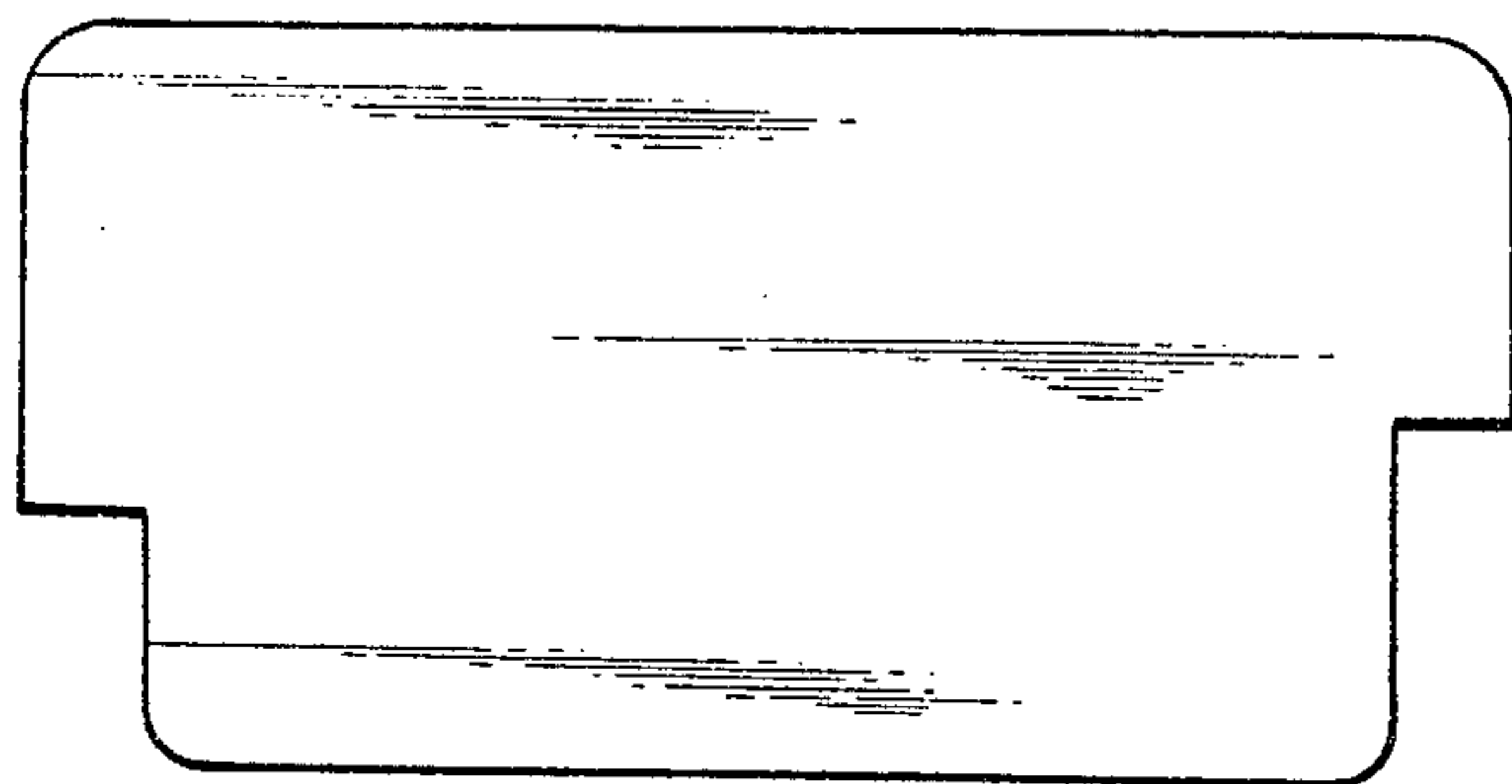


FIG. 3



FIG. 6



FIG. 7