

[54] ELECTRIC GUITAR TREMOLO UNIT

[75] Inventors: Yuji Tanaka, Akishima; Hideo Matsumoto, Shizuoka, both of Japan

[73] Assignee: Tokai Gakki Co., Ltd., Japan

[**] Term: 14 Years

[21] Appl. No.: 478,153

[22] Filed: Mar. 23, 1983

[30] Foreign Application Priority Data

Dec. 31, 1982 [JP] Japan 57-58619

[52] U.S. Cl. D17/21

[58] Field of Search D17/21; 84/298, 299, 84/313, 314 N

[56] References Cited

U.S. PATENT DOCUMENTS

- D. 262,292 12/1981 Carson D17/21
- D. 268,845 5/1983 Fender D17/21
- 4,453,443 6/1984 Smith 84/298

4,475,432 10/1984 Stroh 84/314 N

Primary Examiner—Jane E. Corrigan
Attorney, Agent, or Firm—Darby & Darby

[57] CLAIM

The ornamental design for an electric guitar tremolo unit, as shown and described.

DESCRIPTION

FIG. 1 is a front elevational view of an electric guitar tremolo unit showing our new design;
 FIG. 2 is a right side elevational view thereof;
 FIG. 3 is a left side elevational view thereof;
 FIG. 4 is a rear elevational view thereof;
 FIG. 5 is a top plan view thereof;
 FIG. 6 is a bottom plan view thereof;
 FIG. 7 is a front, bottom and left side perspective view;
 FIG. 8 is a sectional view taken along line A—A' of FIG. 1;
 FIG. 9 is a sectional view taken along line B—B' of FIG. 1; and
 FIG. 10 is a sectional view taken along line C—C' of FIG. 1.

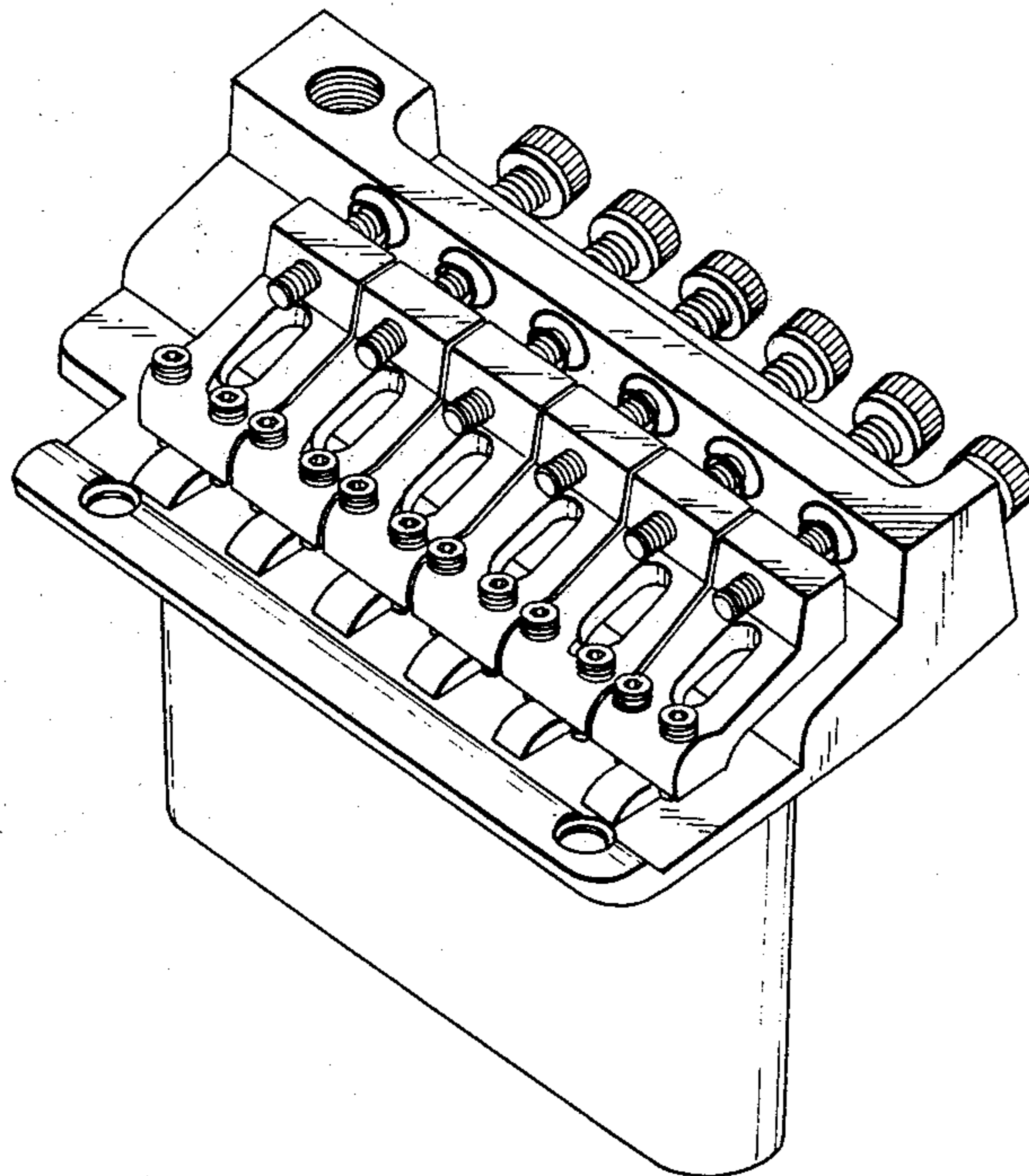


FIG. 1

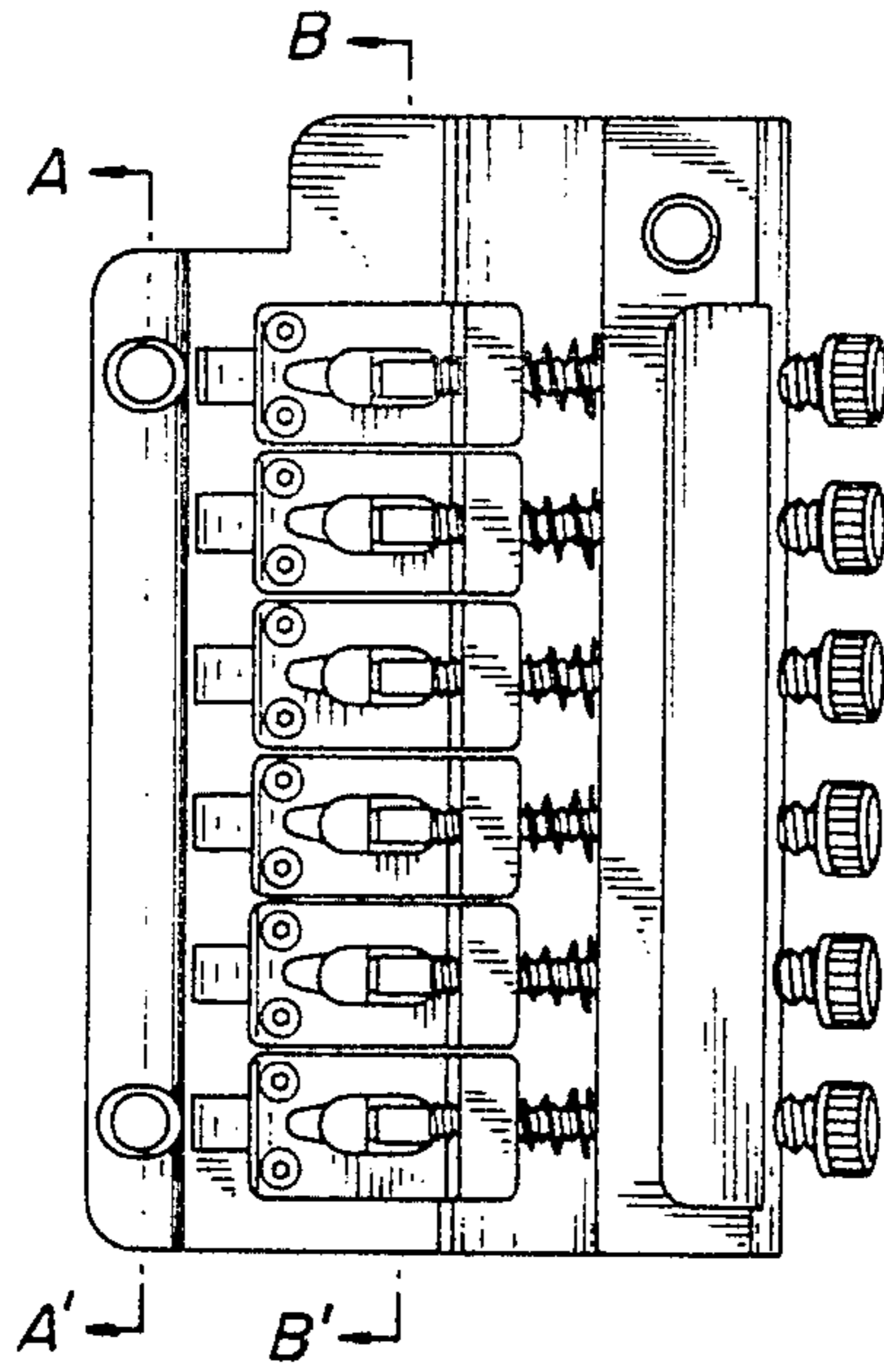


FIG. 2

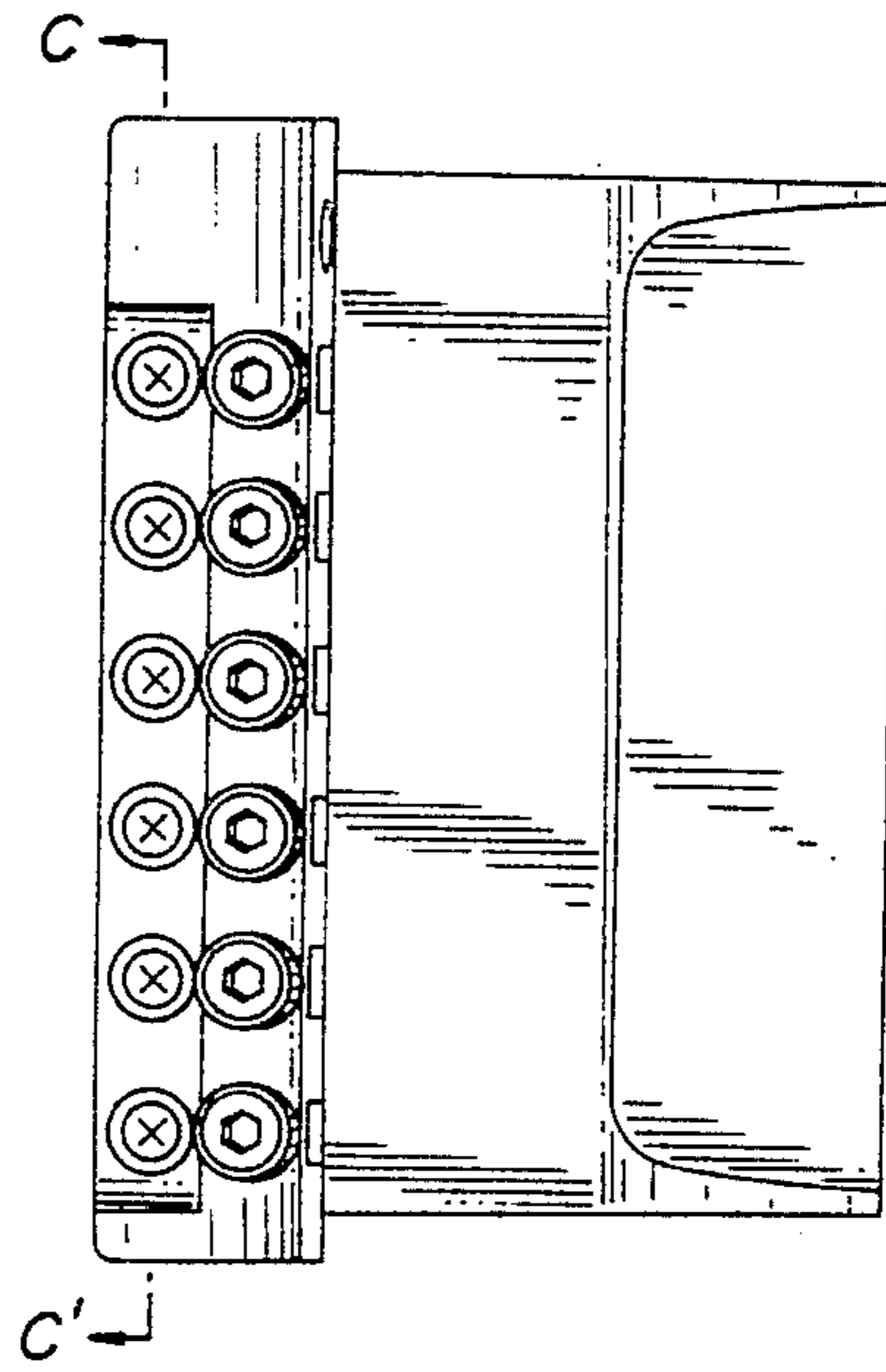


FIG. 3

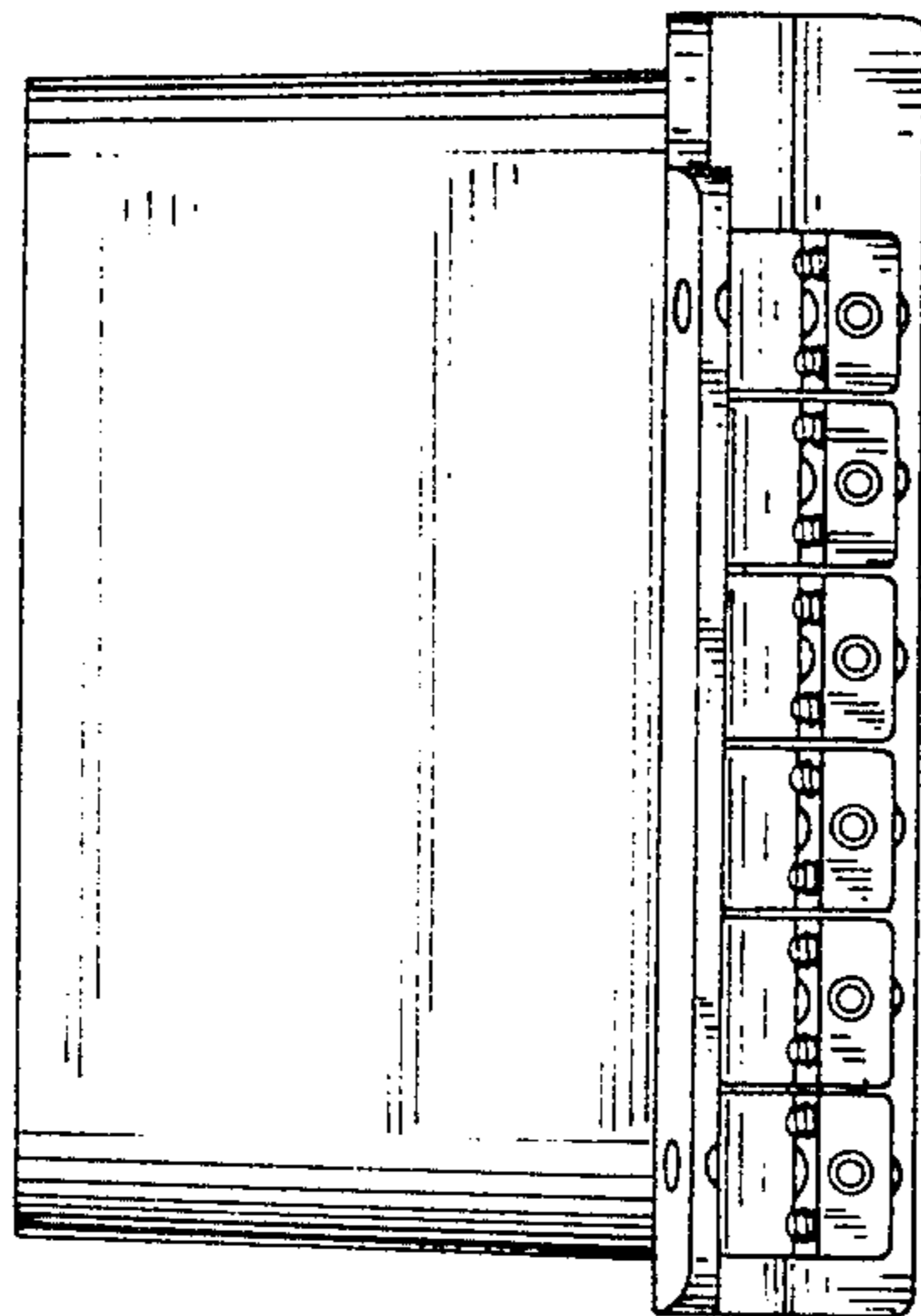


FIG. 4

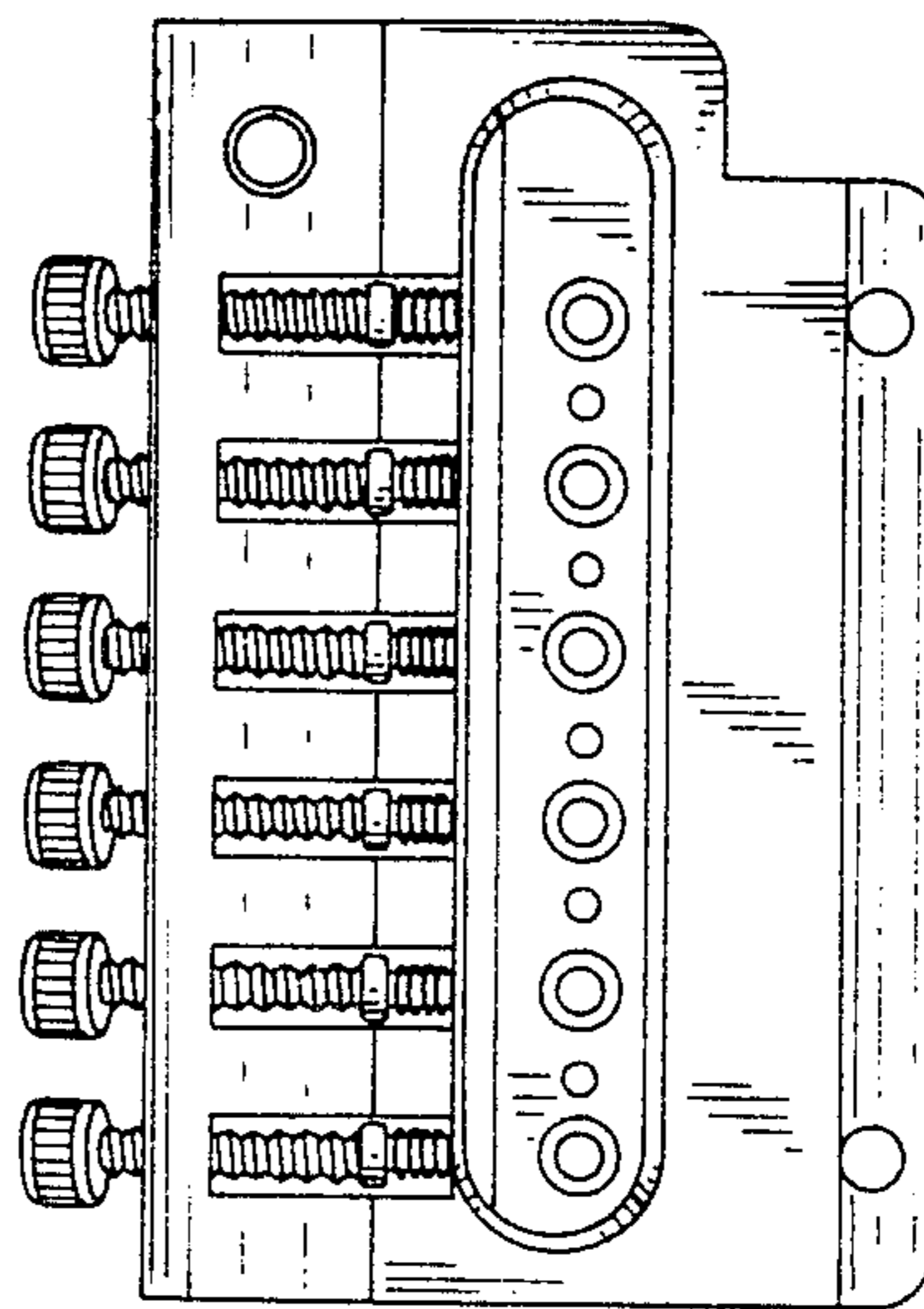


FIG. 5

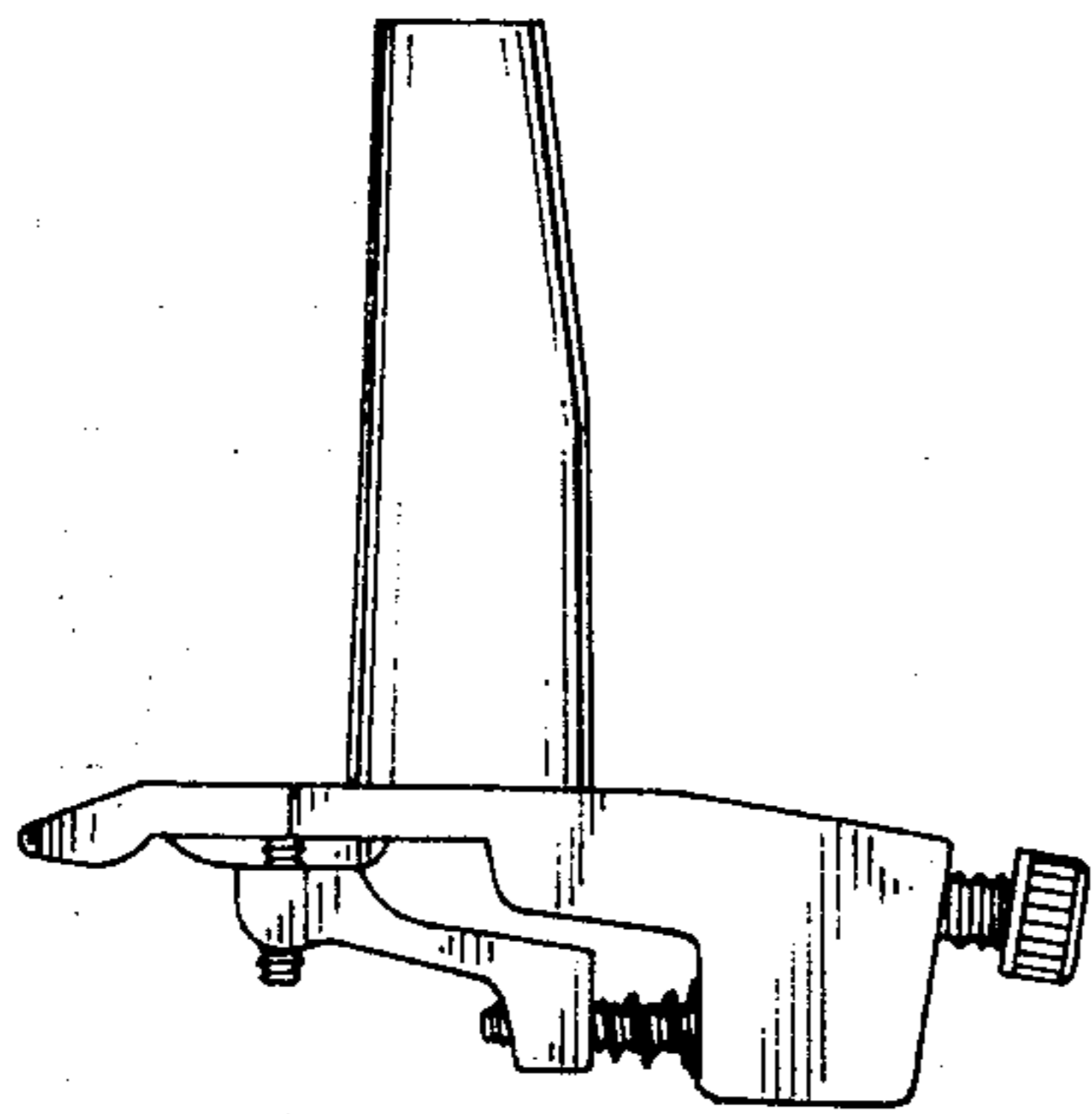


FIG. 6

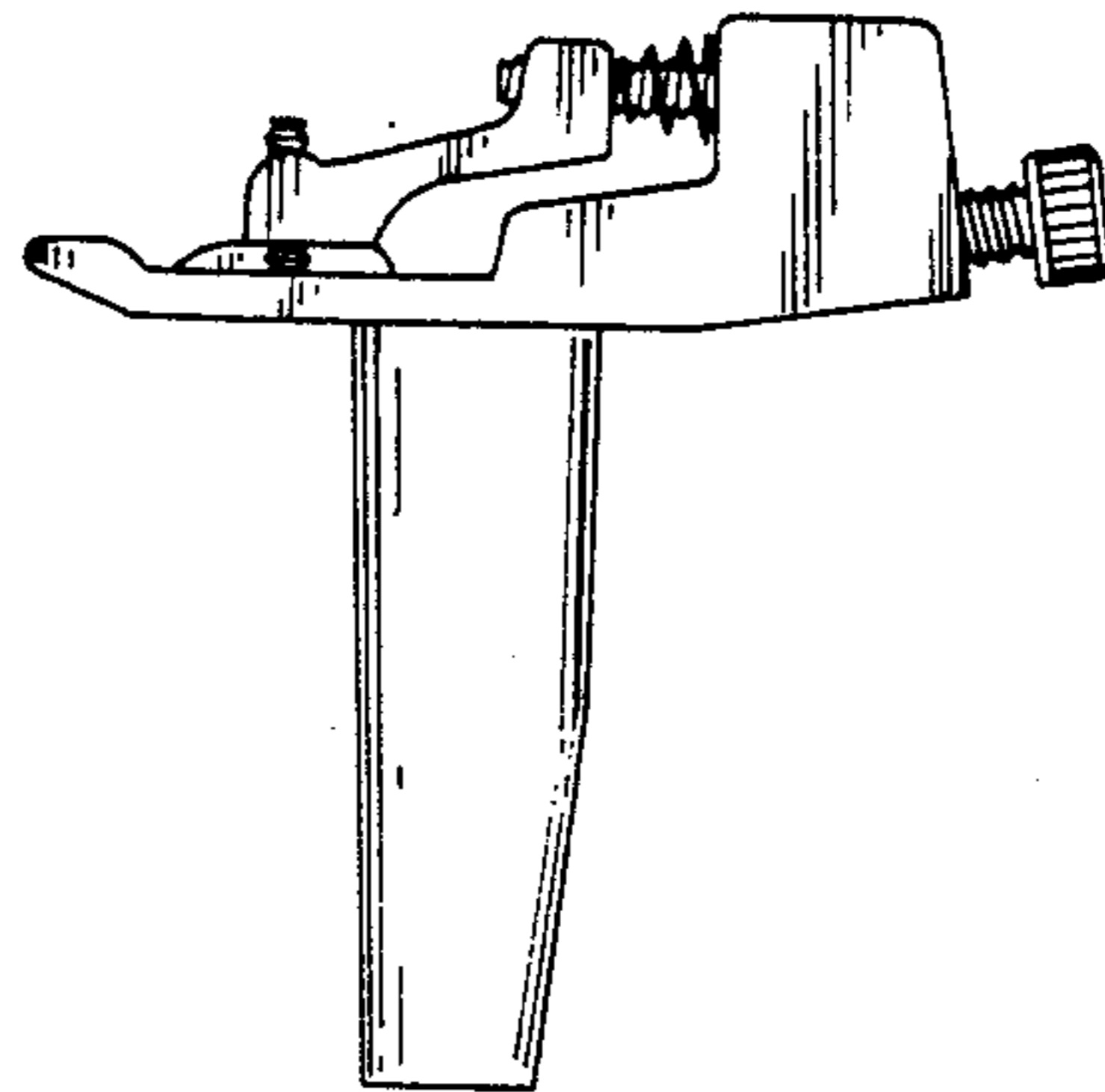


FIG. 7

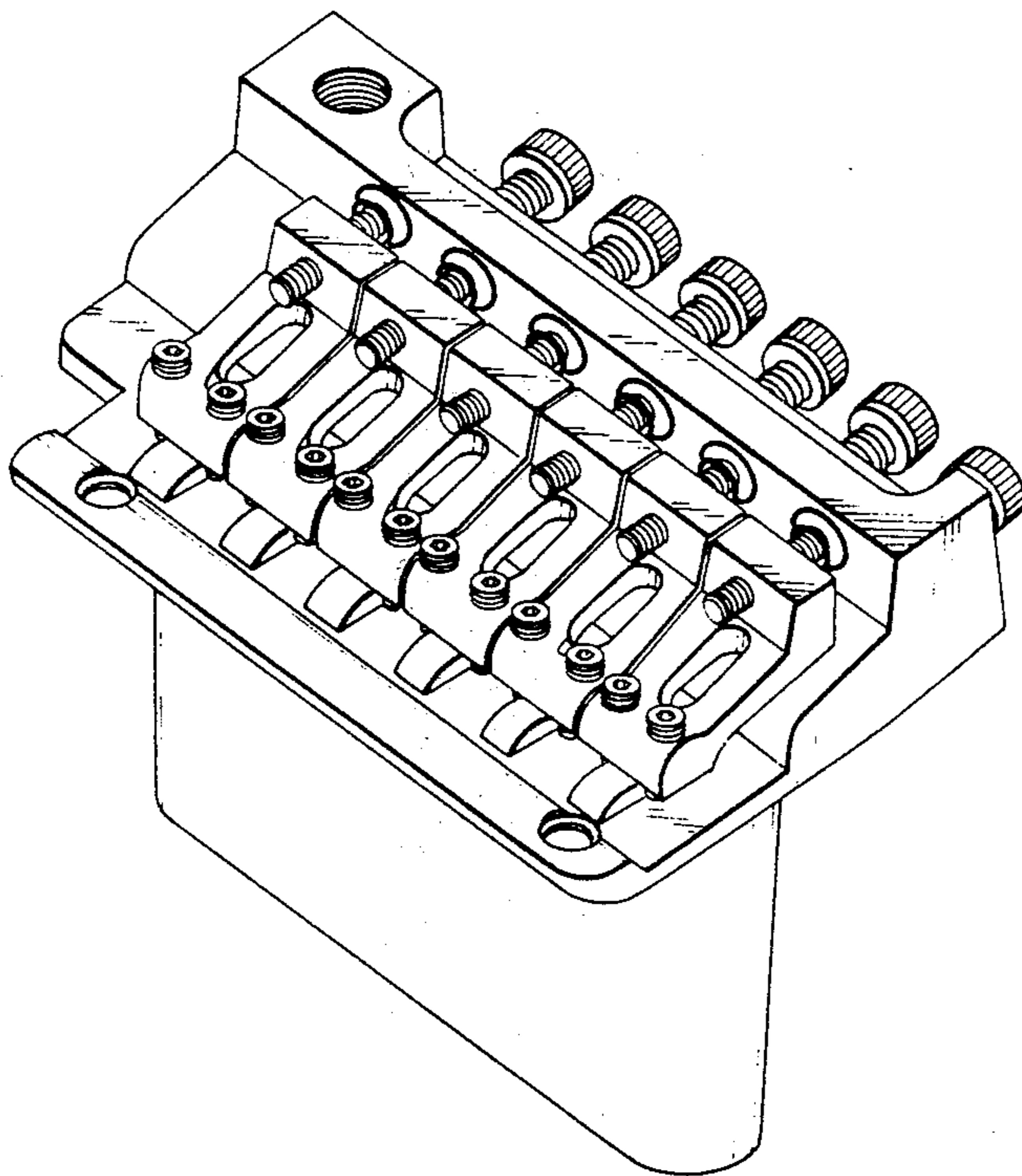


FIG. 8



FIG. 9

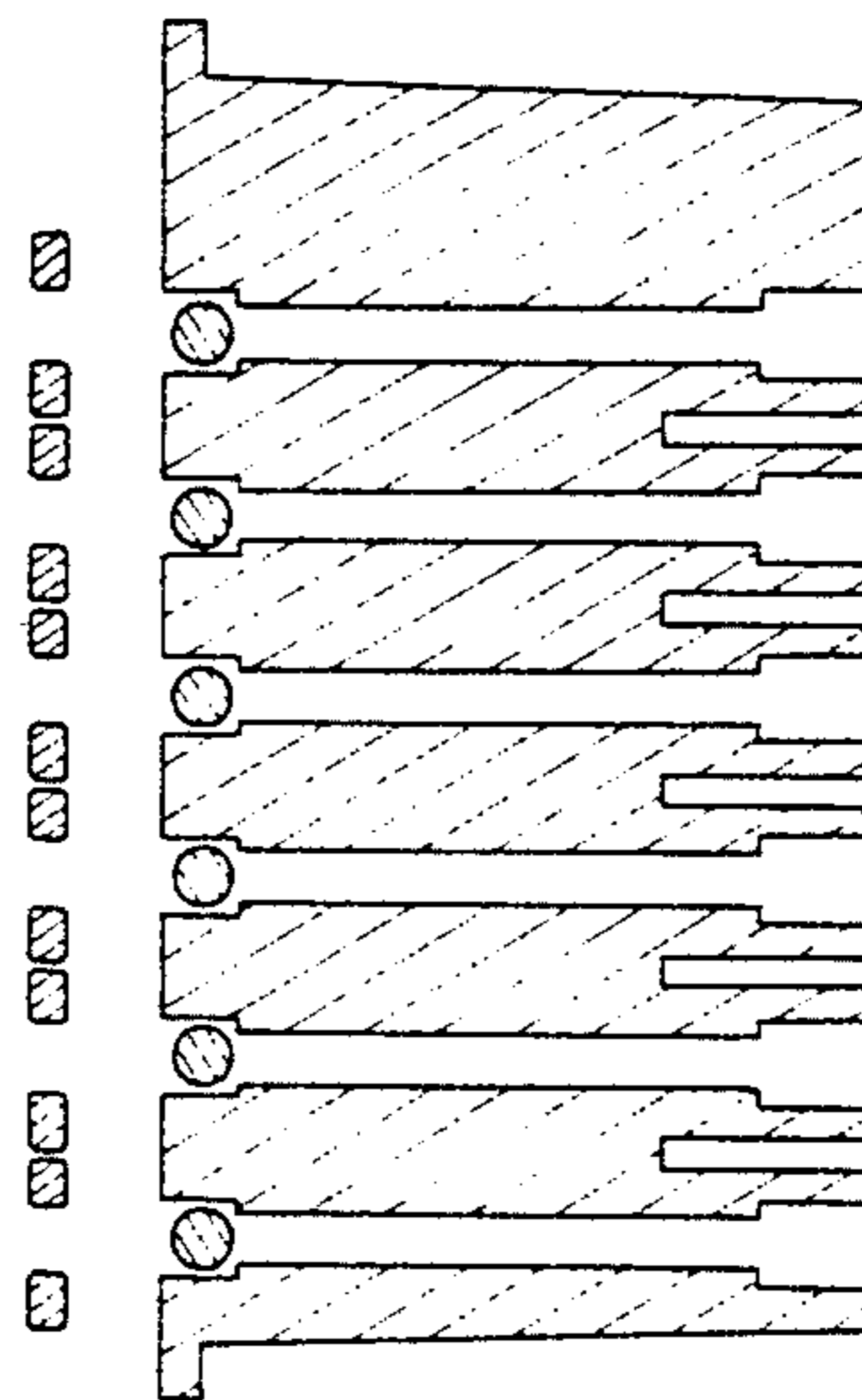


FIG. 10

