

[54] SLIDE VIEWER

[75] Inventor: Francis Bonnefoy, Fontainebleau, France

[73] Assignee: Posso S.A., France

[**] Term: 14 Years

[21] Appl. No.: 469,049

[22] Filed: Feb. 23, 1983

[30] Foreign Application Priority Data

Dec. 2, 1982 [XH] Hague DM/002023
[52] U.S. Cl. D16/17; D16/15
[58] Field of Search D16/11-17;
352/104, 129; 353/46-47, 74-78; 40/361-367

[56] References Cited

U.S. PATENT DOCUMENTS

D. 180,369 5/1957 Katz D16/17
D. 199,598 11/1964 Lanigan D16/17

D. 268,590 4/1983 Miller D16/17
D. 268,591 4/1983 Miller D16/17
D. 276,240 11/1984 Bonnefoy D16/17
2,892,274 6/1959 Afton 40/362
3,018,575 1/1962 Barre 40/362

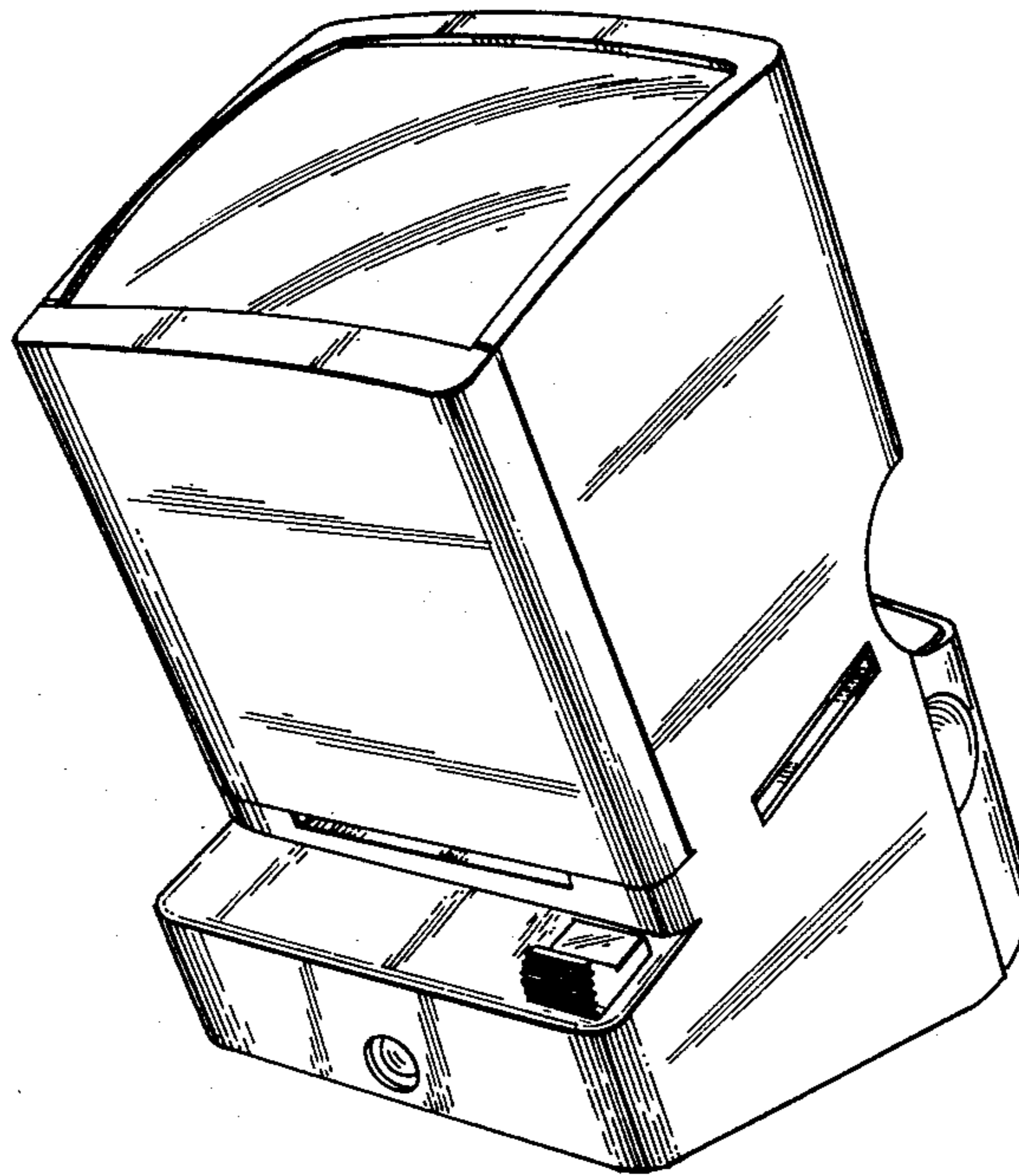
Primary Examiner—Nelson C. Holtje
Attorney, Agent, or Firm—Lerner, David, Littenberg,
Krumholz & Mentlik

[57] CLAIM

The ornamental design for a slide viewer, substantially as shown and described.

DESCRIPTION

FIG. 1 is a perspective view of a slide viewer showing my new design;
FIG. 2 is a right side elevational view, the left side being the same in appearance as the right side thereof;
FIG. 3 is a front elevational view thereof;
FIG. 4 is a rear elevational view thereof;
FIG. 5 is a top plan view thereof; and
FIG. 6 is a bottom plan view thereof.



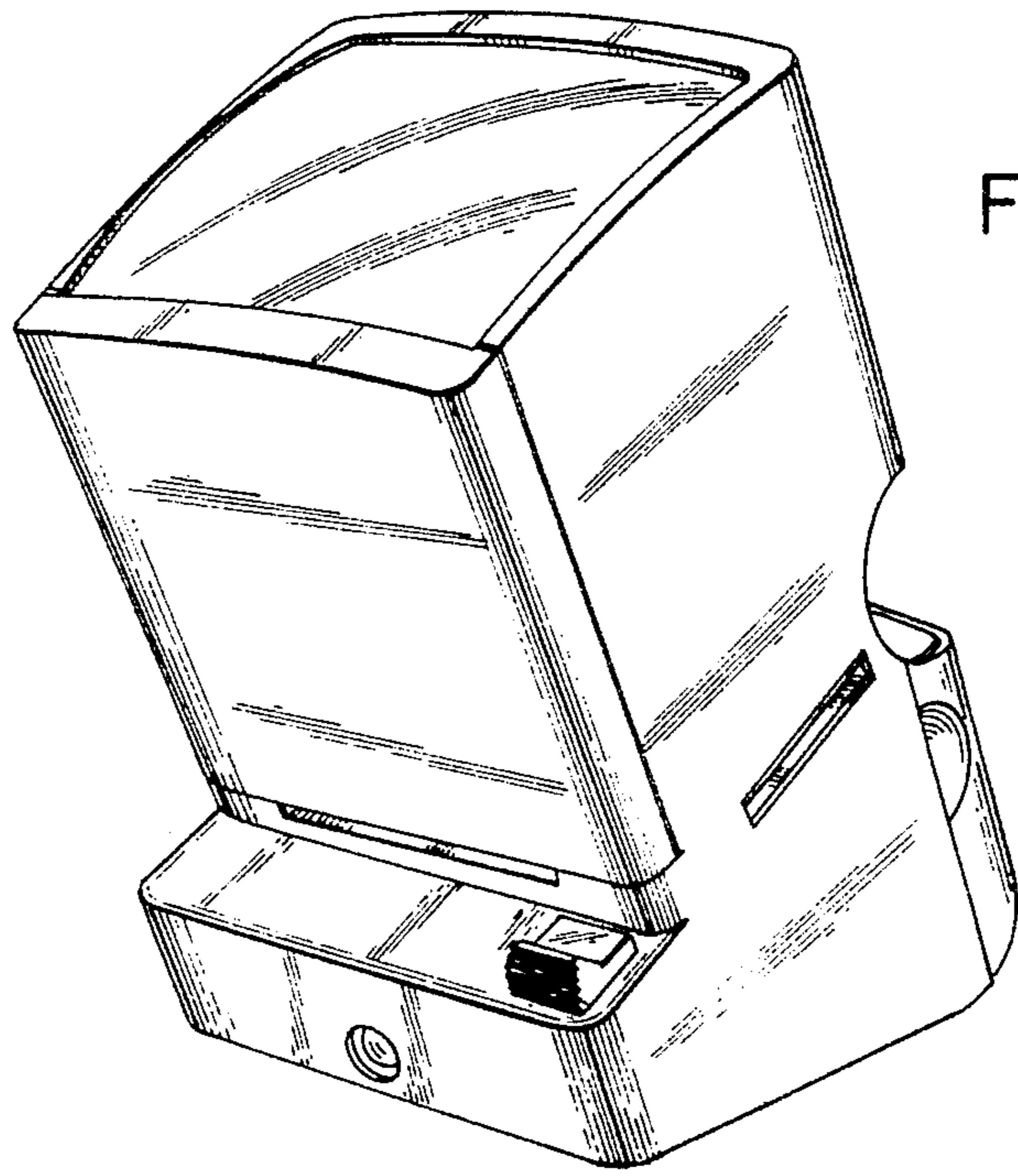


FIG. 1

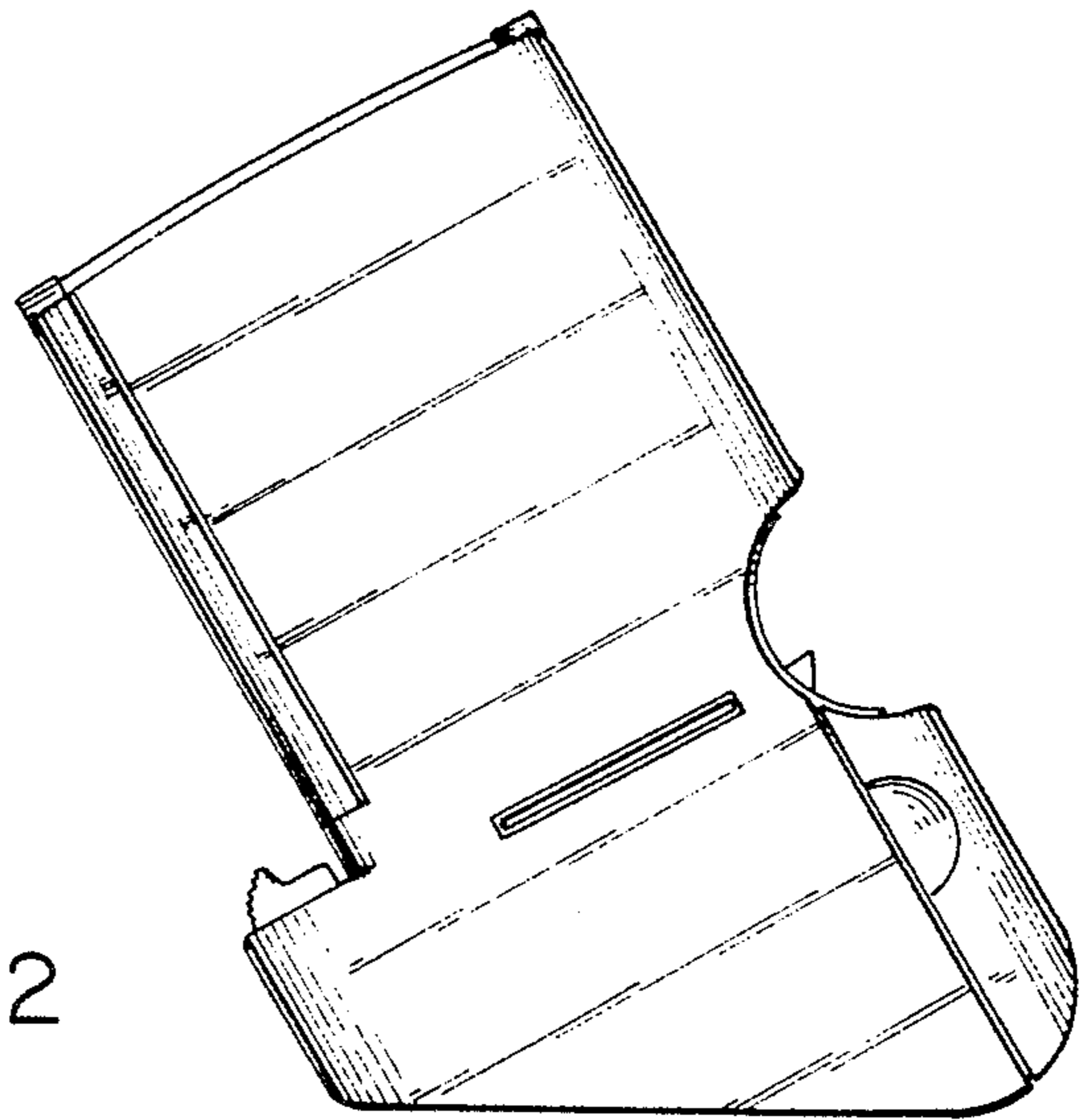


FIG. 2

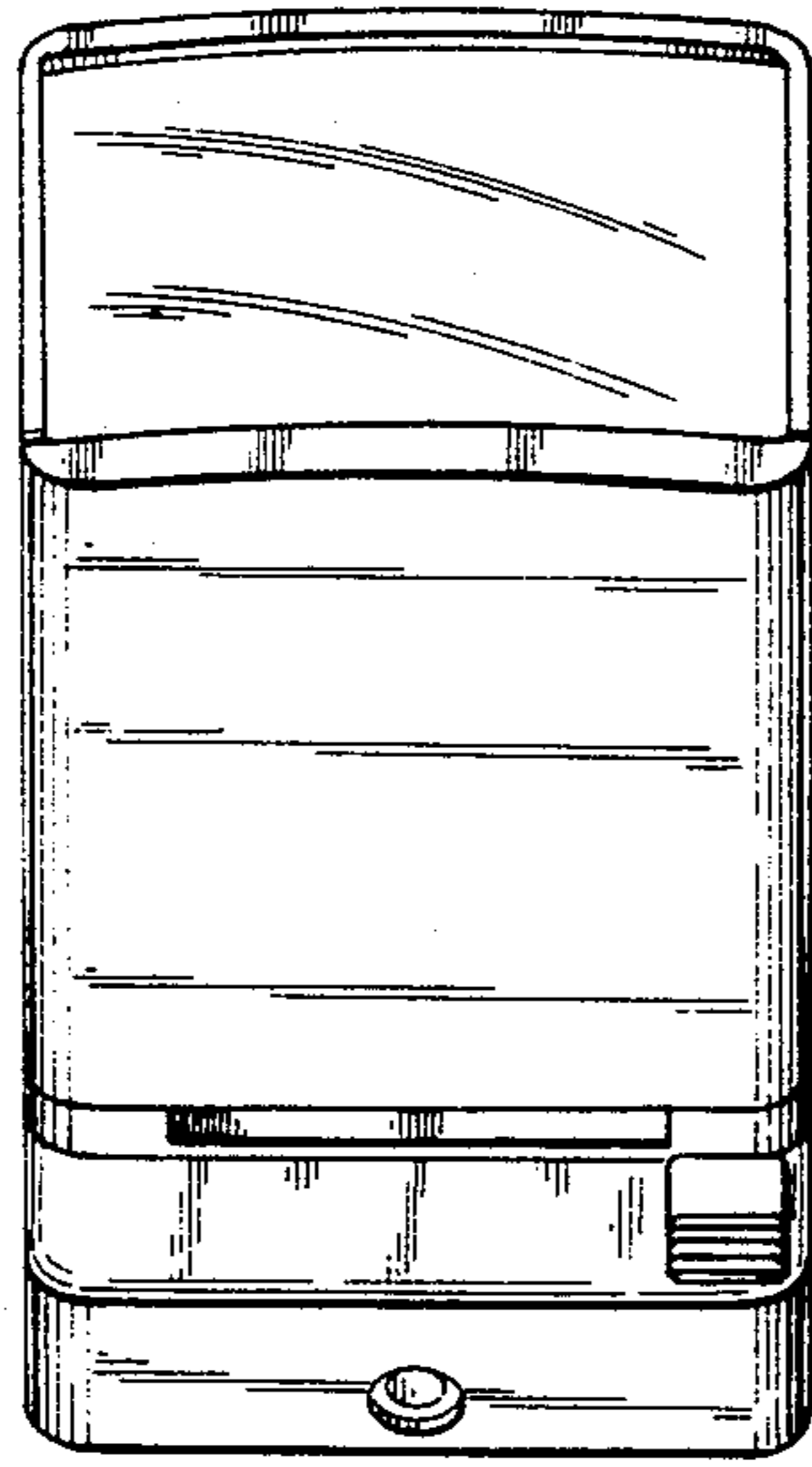


FIG. 3

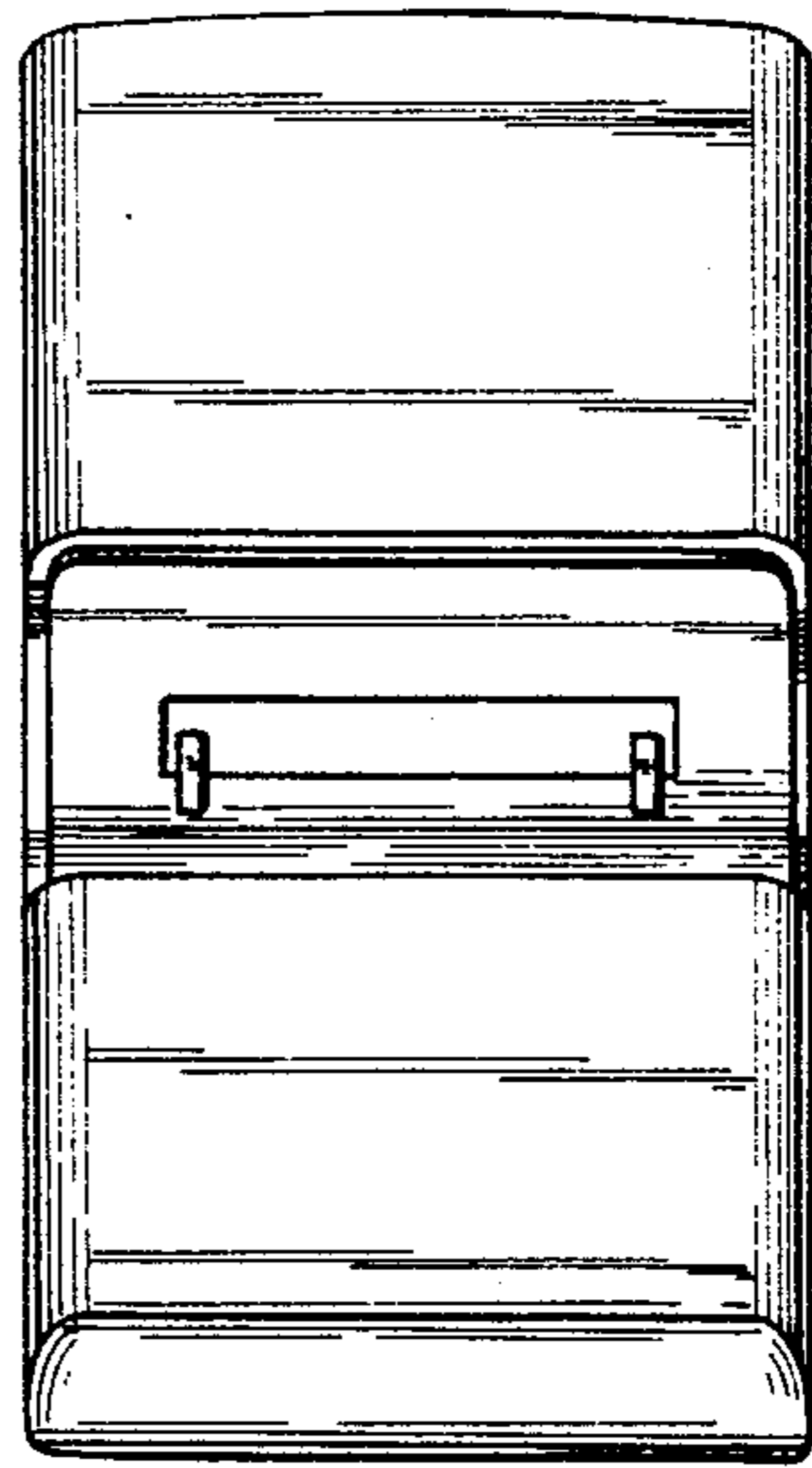


FIG. 4

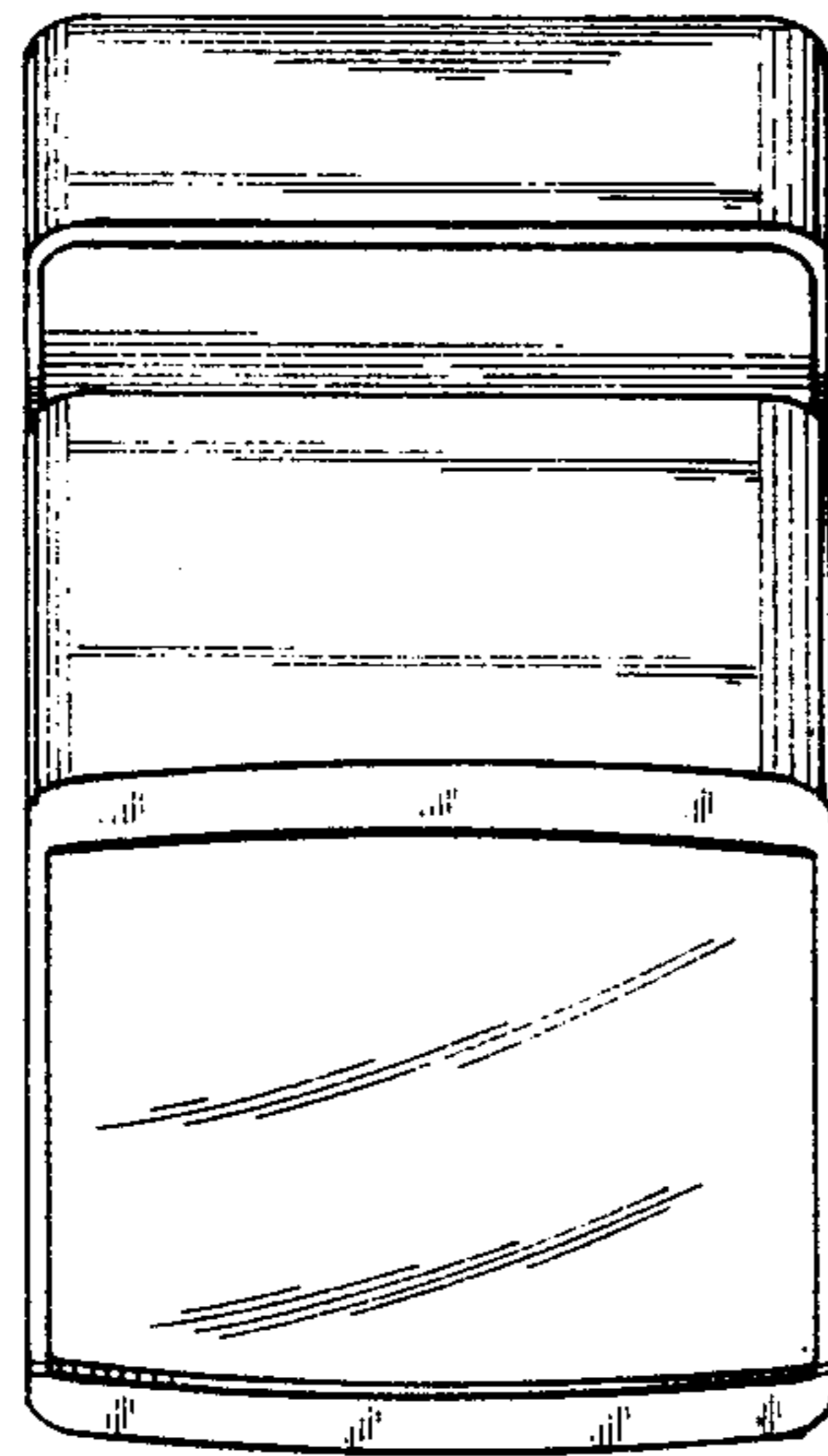


FIG. 5

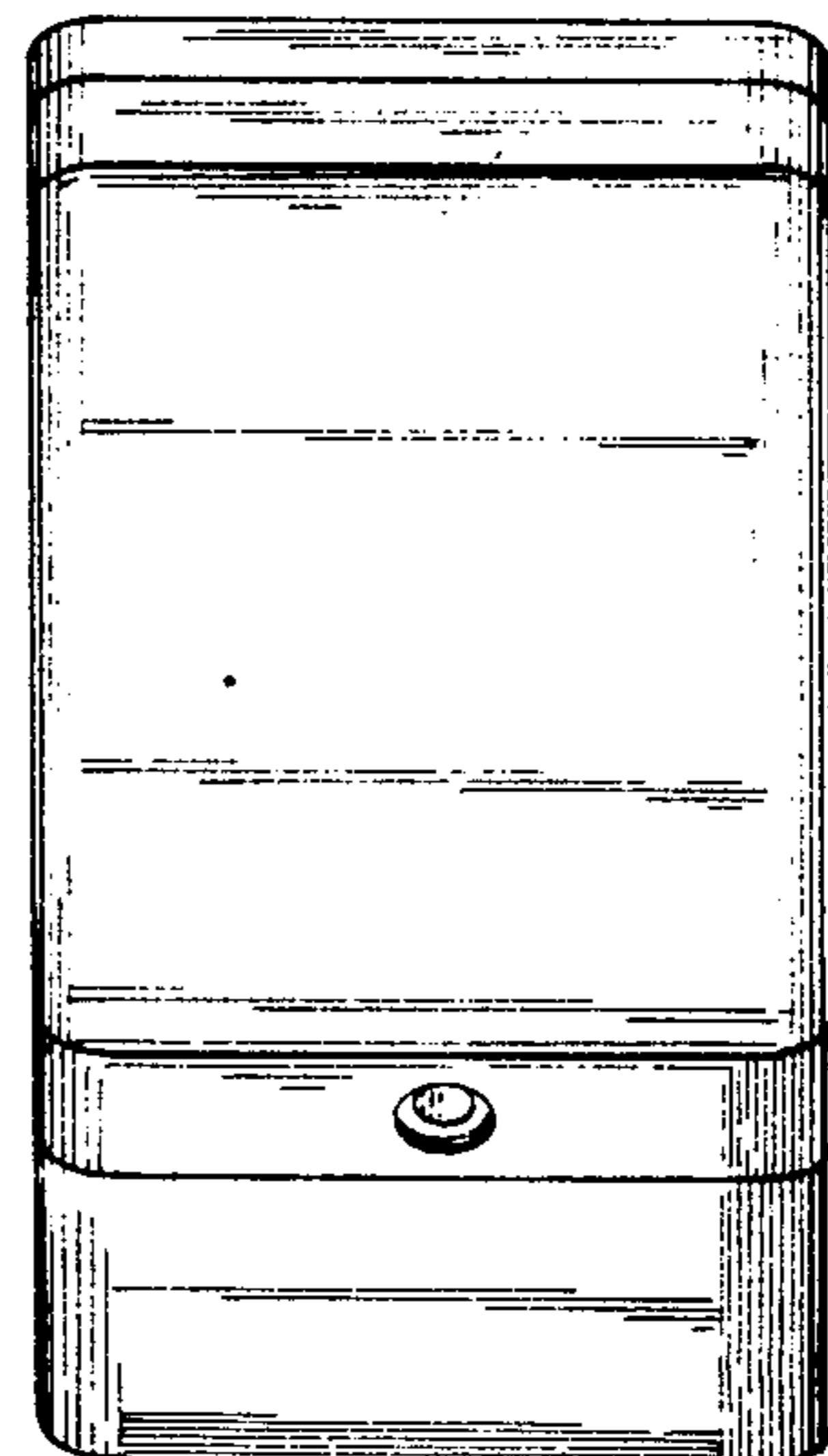


FIG. 6