

# United States Patent [19]

Hicks

[11] Patent Number: Des. 280,102

[45] Date of Patent: \*\* Aug. 13, 1985

[54] ROBOT

[76] Inventor: Ray Hicks, 3101 Corunna Rd., Flint, Mich. 48503

[\*\*] Term: 14 Years

[21] Appl. No.: 461,624

[22] Filed: Mar. 7, 1983

[52] U.S. Cl. .... D15/199; D15/122

[58] Field of Search ..... D15/122, 199; 901/30, 901/31, 40, 23; 414/728, 729, 732, 738

[56] References Cited

### U.S. PATENT DOCUMENTS

D. 201,303 6/1965 Kaye ..... 901/31  
D. 273,300 4/1984 Molaug ..... D15/199  
3,476,266 11/1969 Devol ..... D15/199  
3,543,910 12/1970 Devol et al. .... 414/728  
3,851,769 12/1974 Noguchi et al. .... D15/199

3,951,271 4/1976 Mette ..... 901/31

Primary Examiner—B. J. Bullock  
Attorney, Agent, or Firm—John J. Swartz

[57] CLAIM

The ornamental design for a robot, as shown and described.

### DESCRIPTION

FIG. 1 is a perspective view of a robot showing my new design;

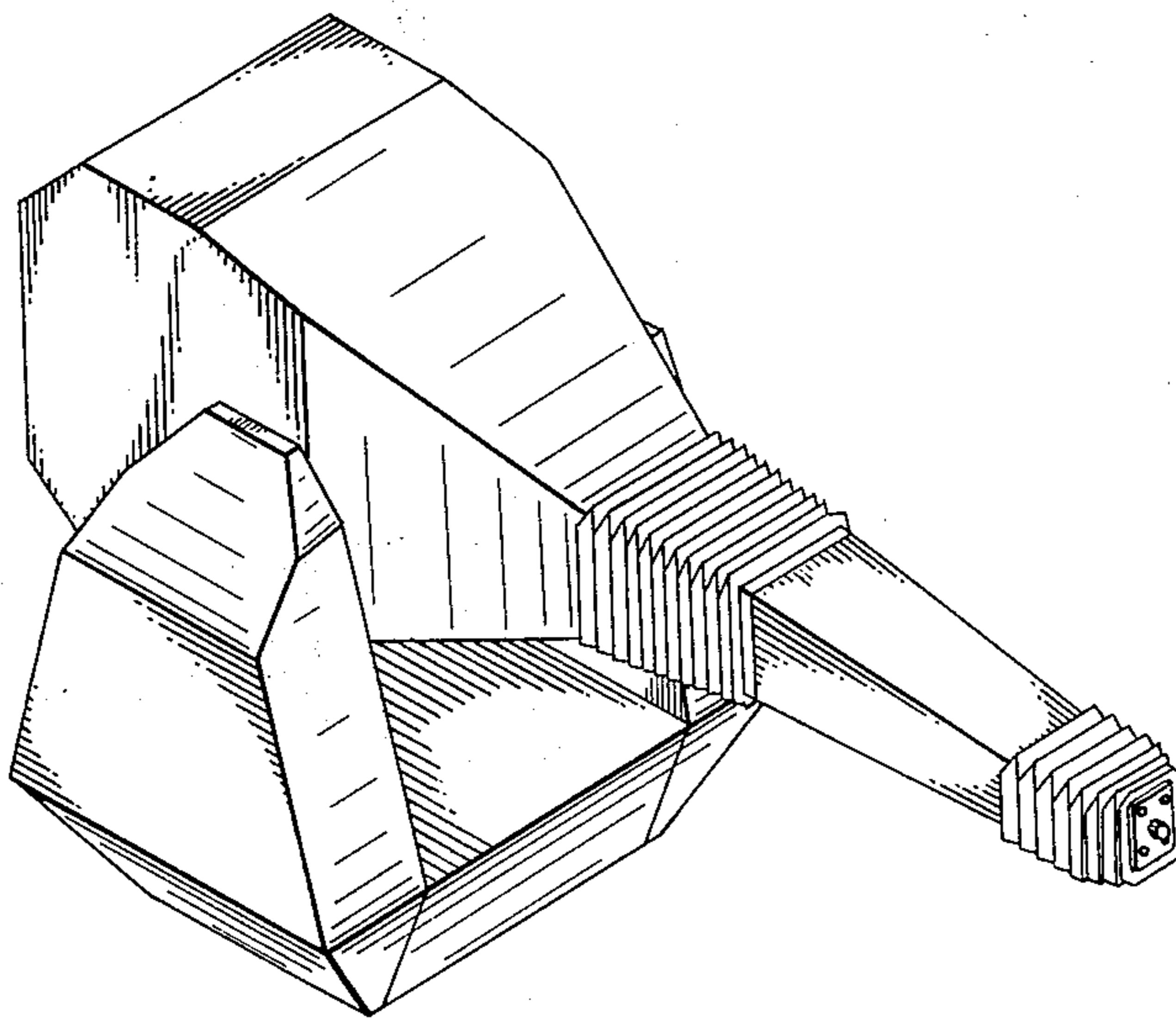
FIG. 2 is a front elevational view thereof, the rear being a mirror image;

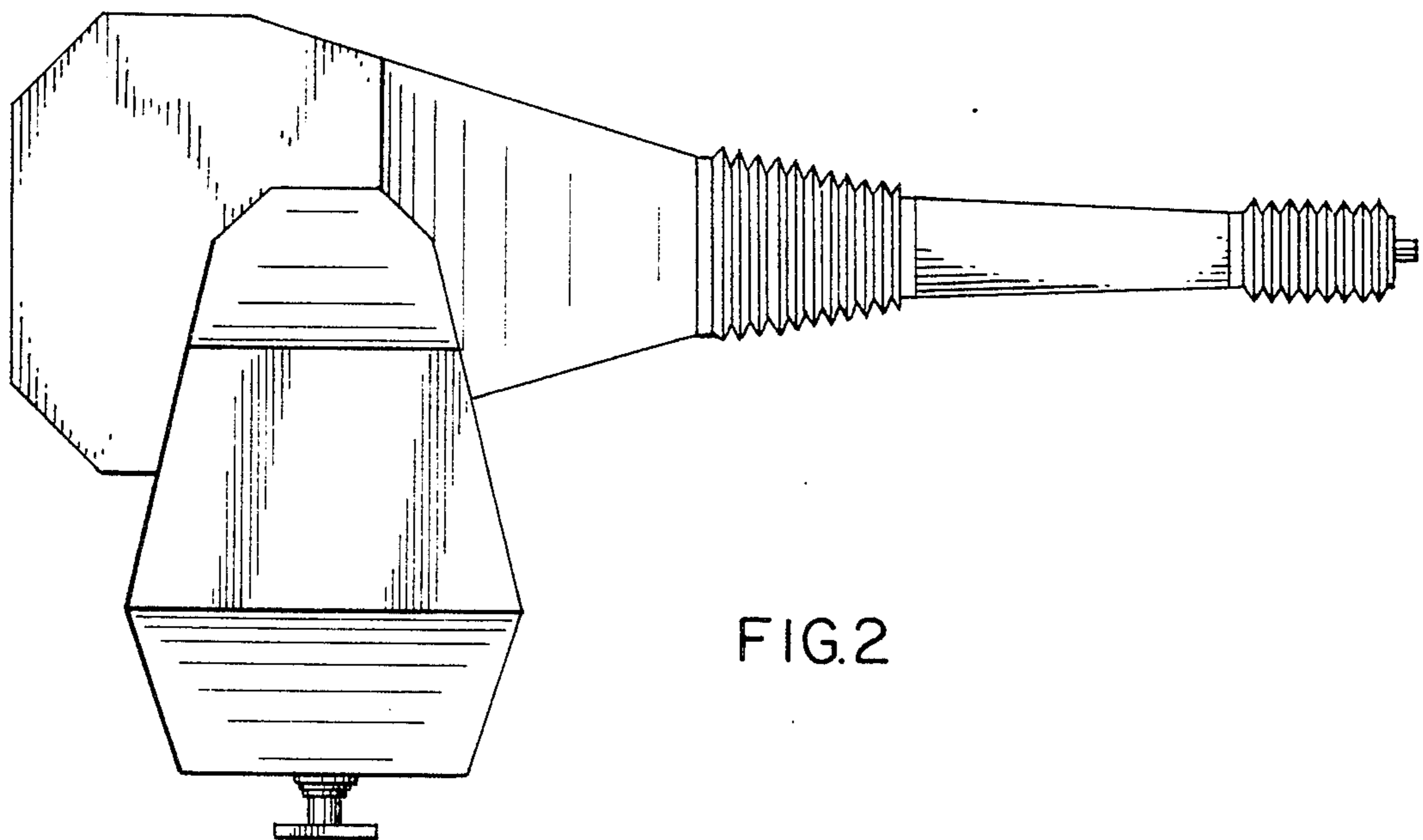
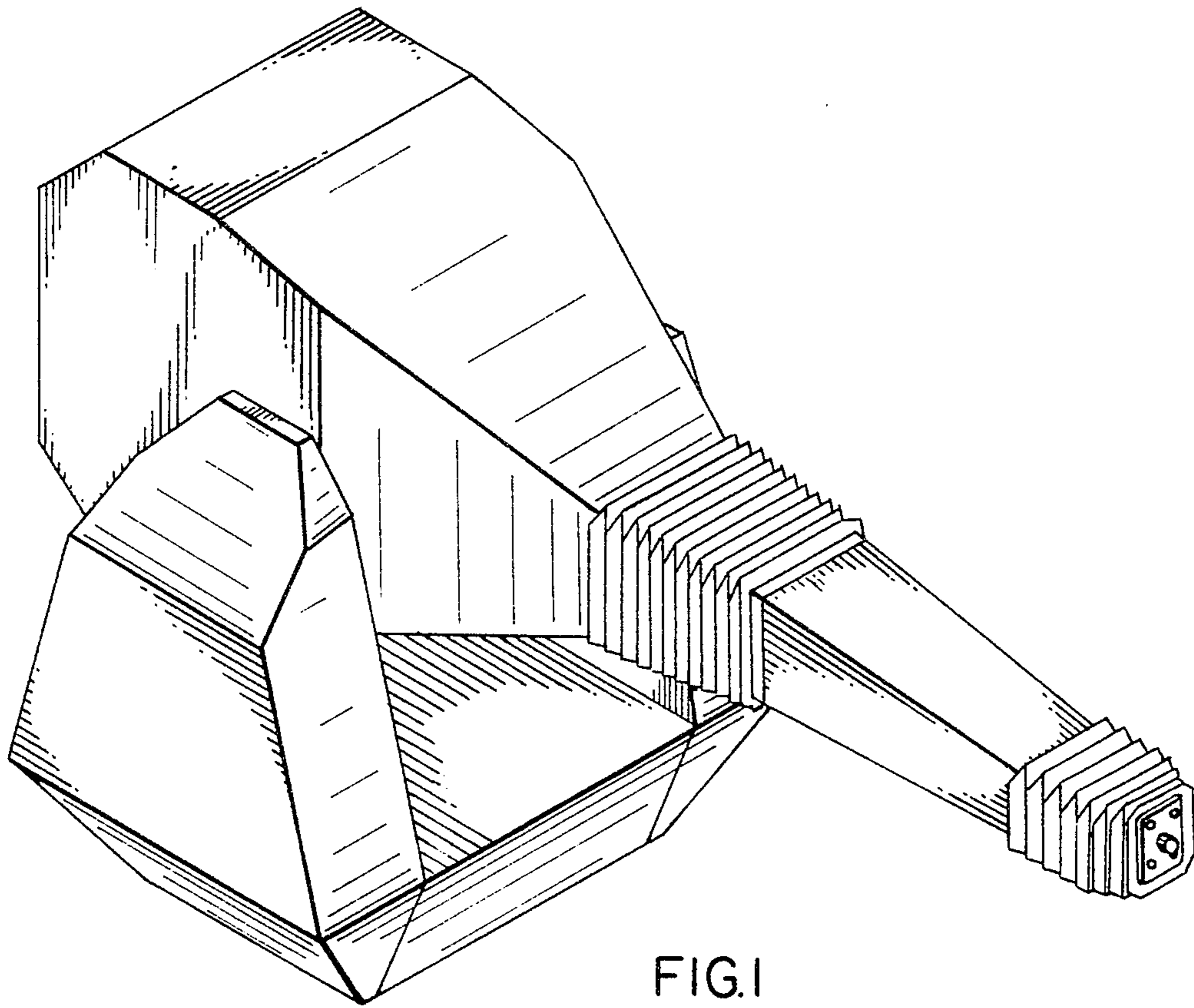
FIG. 3 is a top plan view thereof;

FIG. 4 is a bottom plan view thereof;

FIG. 5 is an end elevational view taken from the left of FIG. 2;

FIG. 6 is an end elevational view taken from the right of FIG. 2.





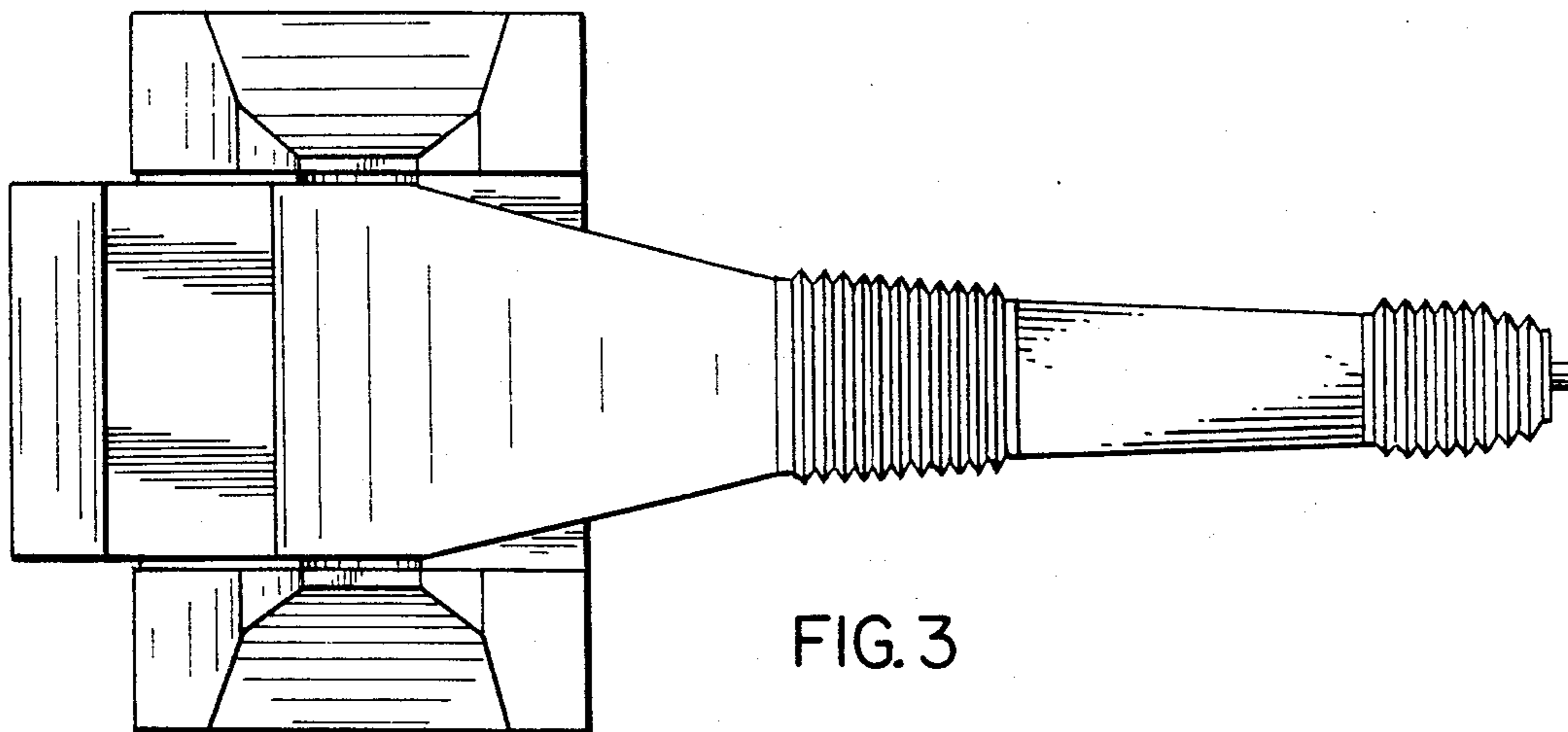


FIG. 3

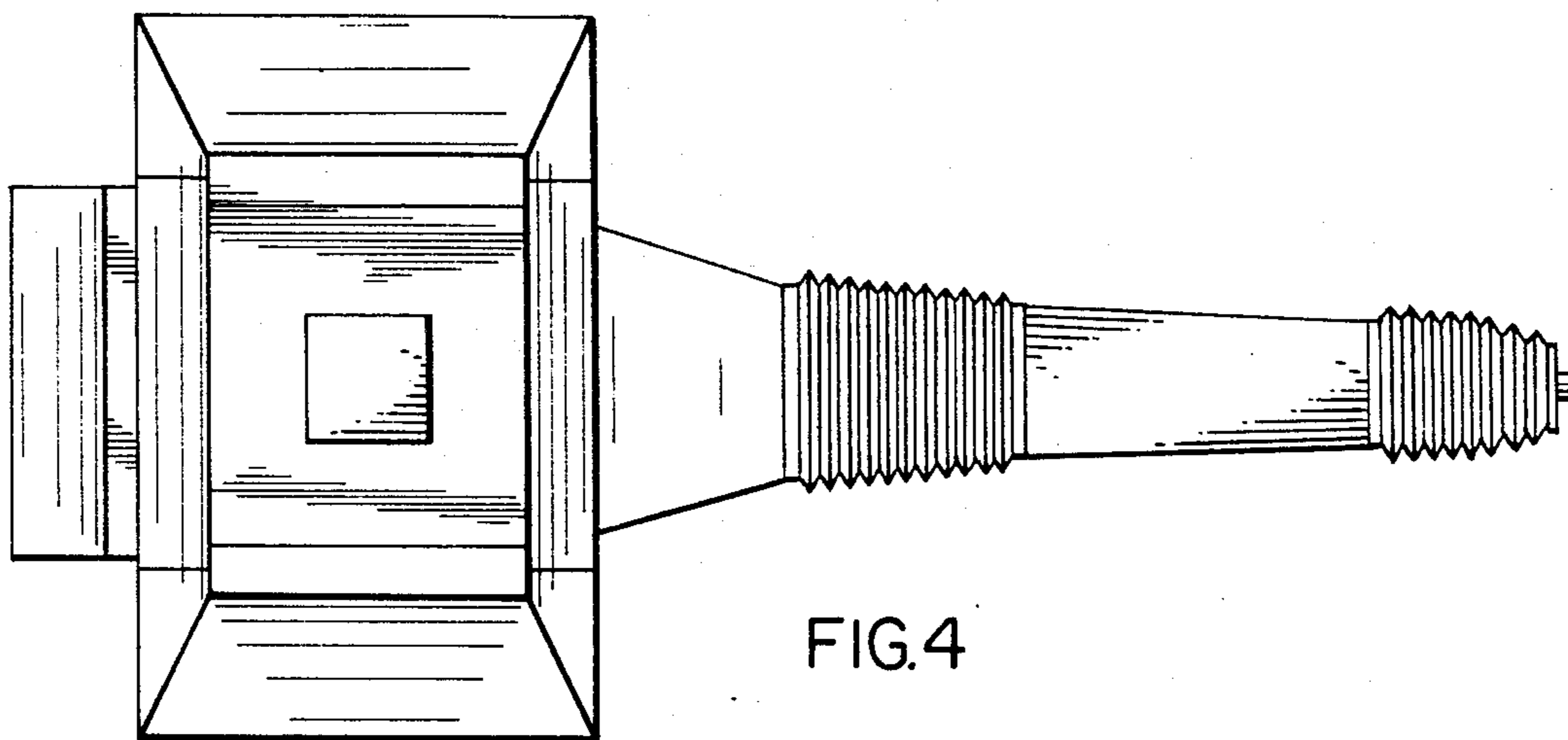


FIG. 4

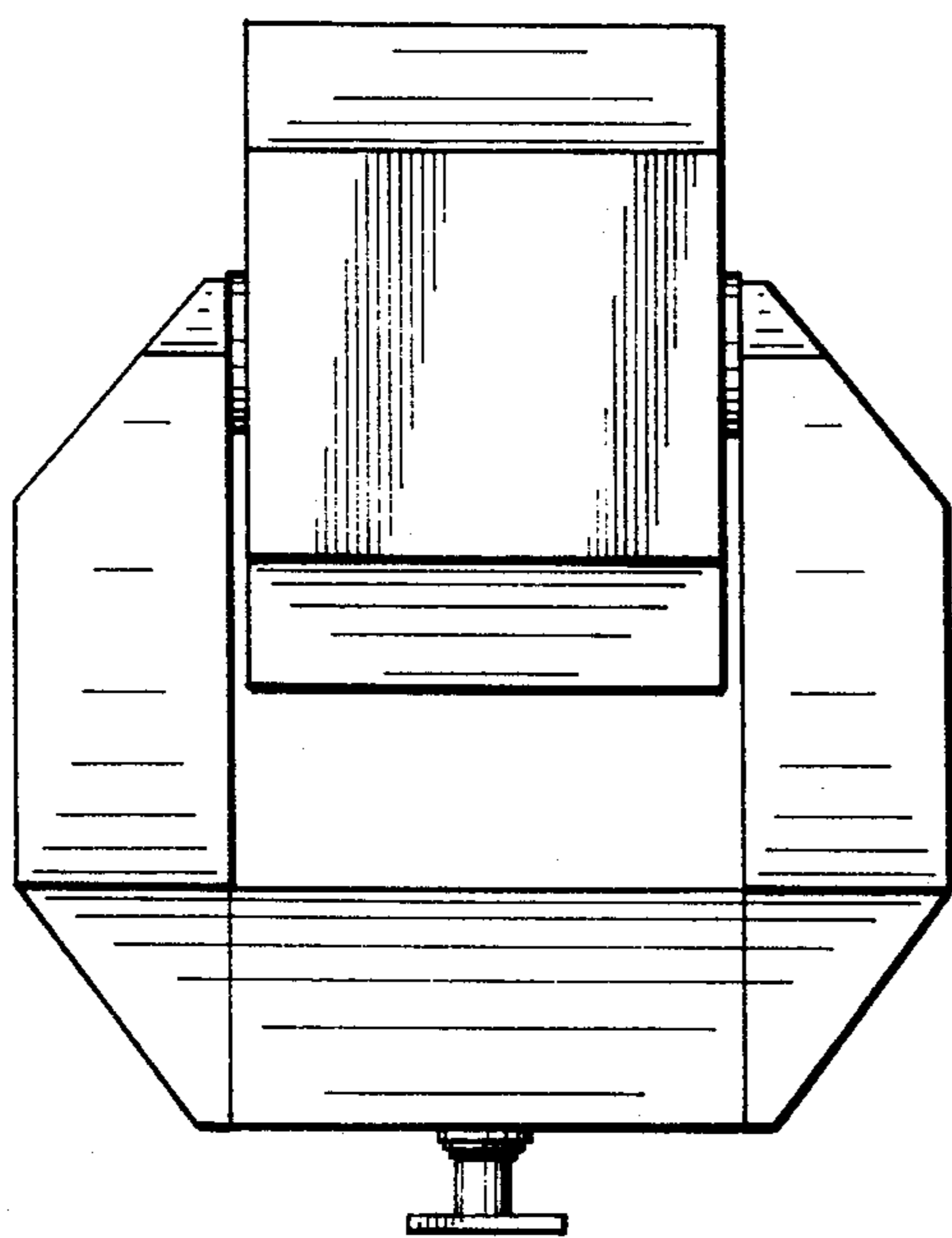


FIG. 5

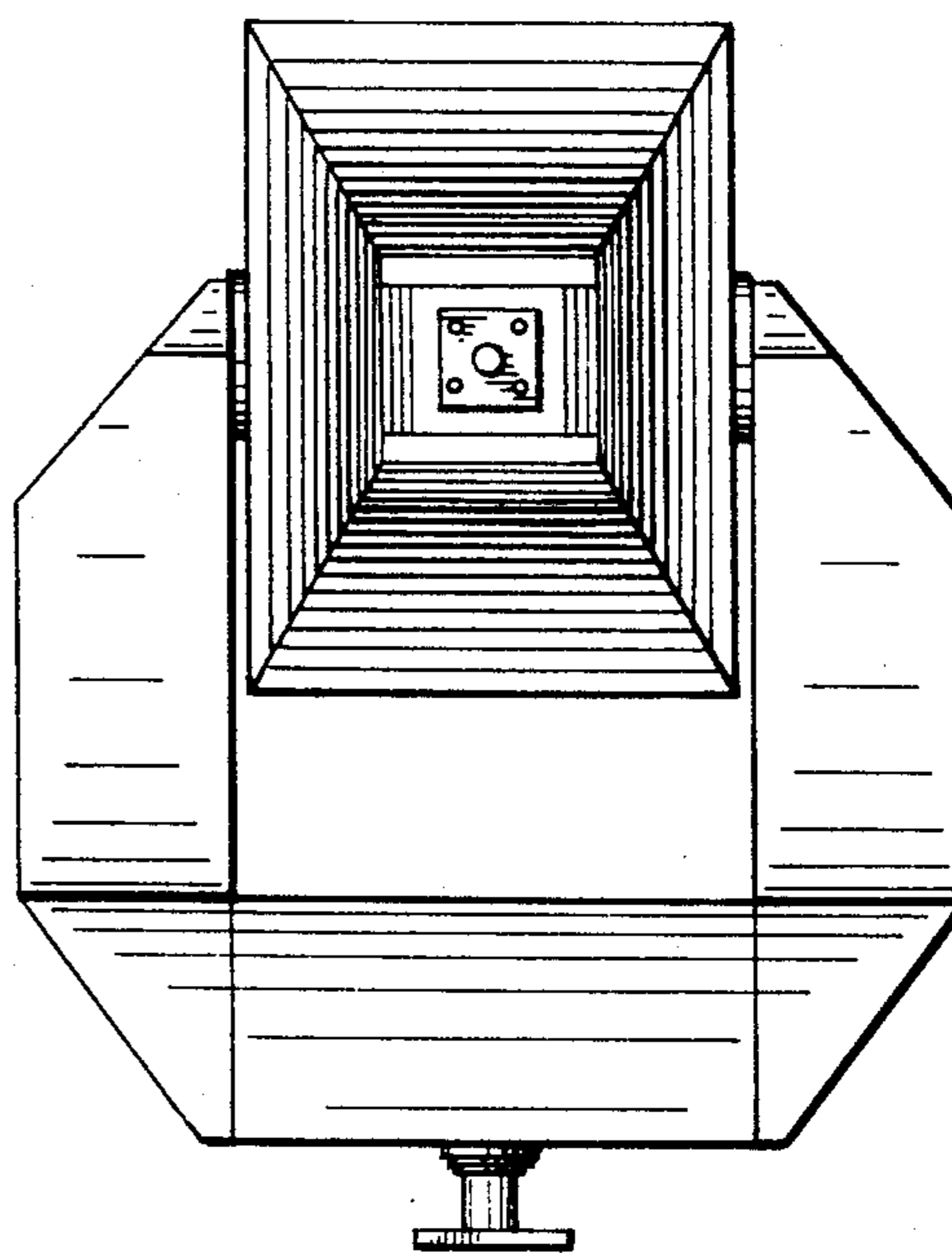


FIG. 6