

[54] **PORTABLE COMPUTER WORK STATION**

[75] **Inventor: Joseph L. Ungar, 17120 NE. 96th St., Redmond, Wash. 98052**

[73] **Assignee: Joseph Lindsay Ungar, Redmond, Wash.**

[**] **Term: 14 Years**

[21] **Appl. No.: 409,760**

[22] **Filed: Aug. 19, 1982**

[52] **U.S. Cl. D14/103**

[58] **Field of Search D14/100-117;
340/365 R, 711; 364/900**

[56] **References Cited**

U.S. PATENT DOCUMENTS

D. 237,799 11/1975 Sottsass D14/104
D. 247,811 5/1978 Moecki D14/103
D. 251,295 3/1979 Wilson et al. D14/103

Primary Examiner—Susan J. Lucas
Attorney, Agent, or Firm—Lawrence S. Levinson;
Sanford J. Asman

[57] **CLAIM**

The ornamental design for a portable computer work station, as shown and described.

DESCRIPTION

FIG. 1 is a front perspective view of the portable computer work station showing my new design;
FIG. 2 is a left hand side perspective view thereof;
FIG. 3 is a rear perspective view thereof; and
FIG. 4 is a right side elevational view thereof.

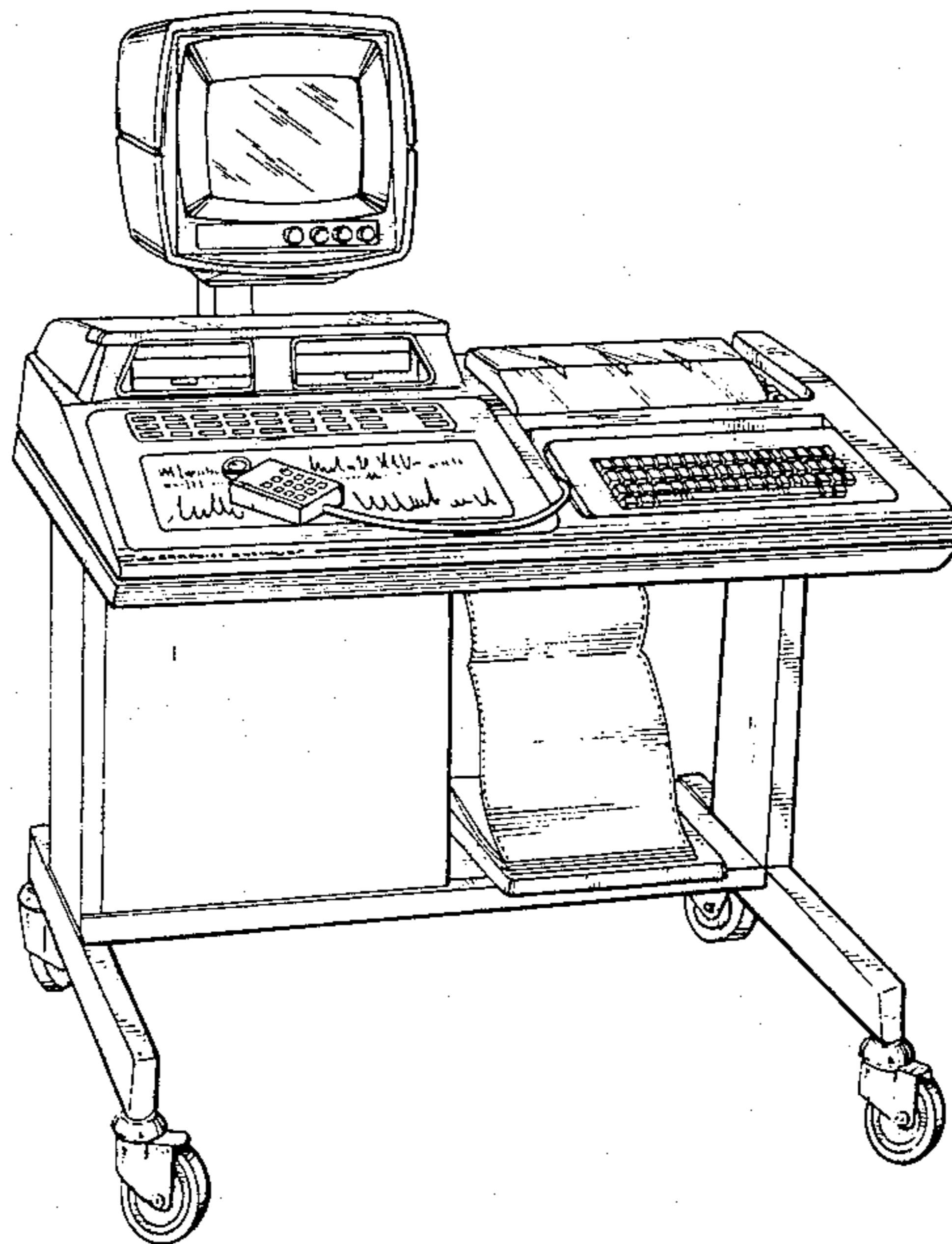


Fig. 1

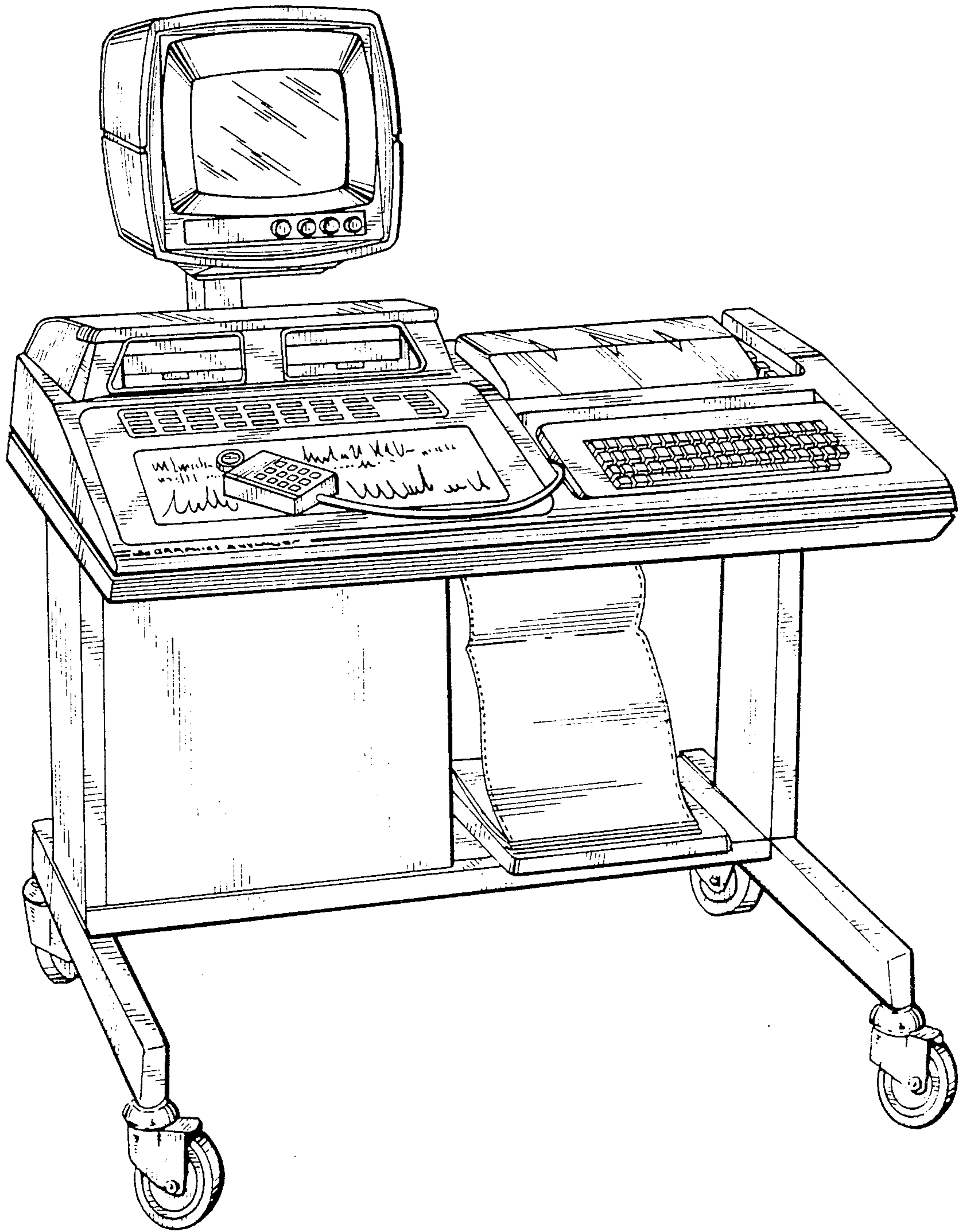


Fig. 2

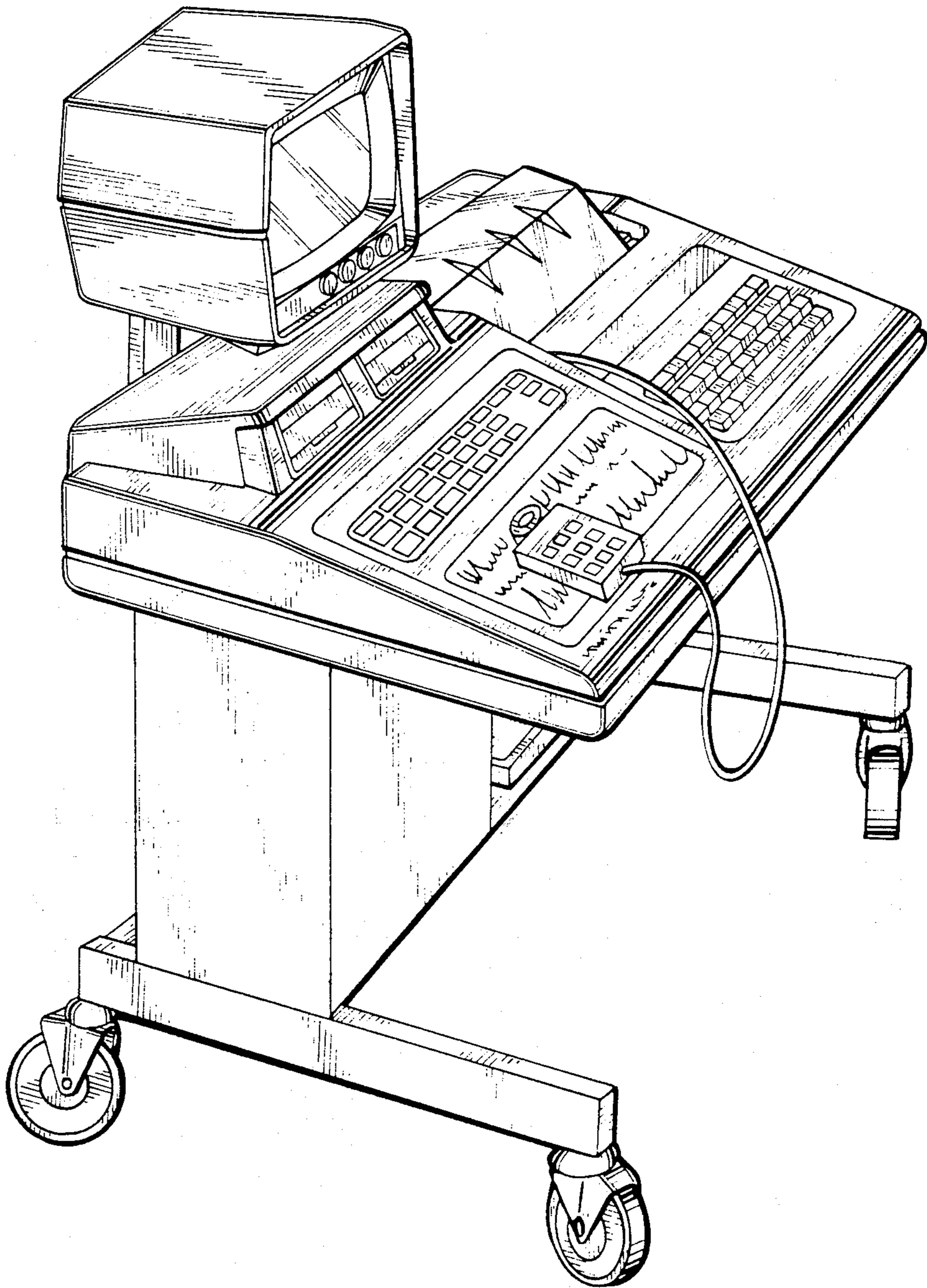


Fig. 3

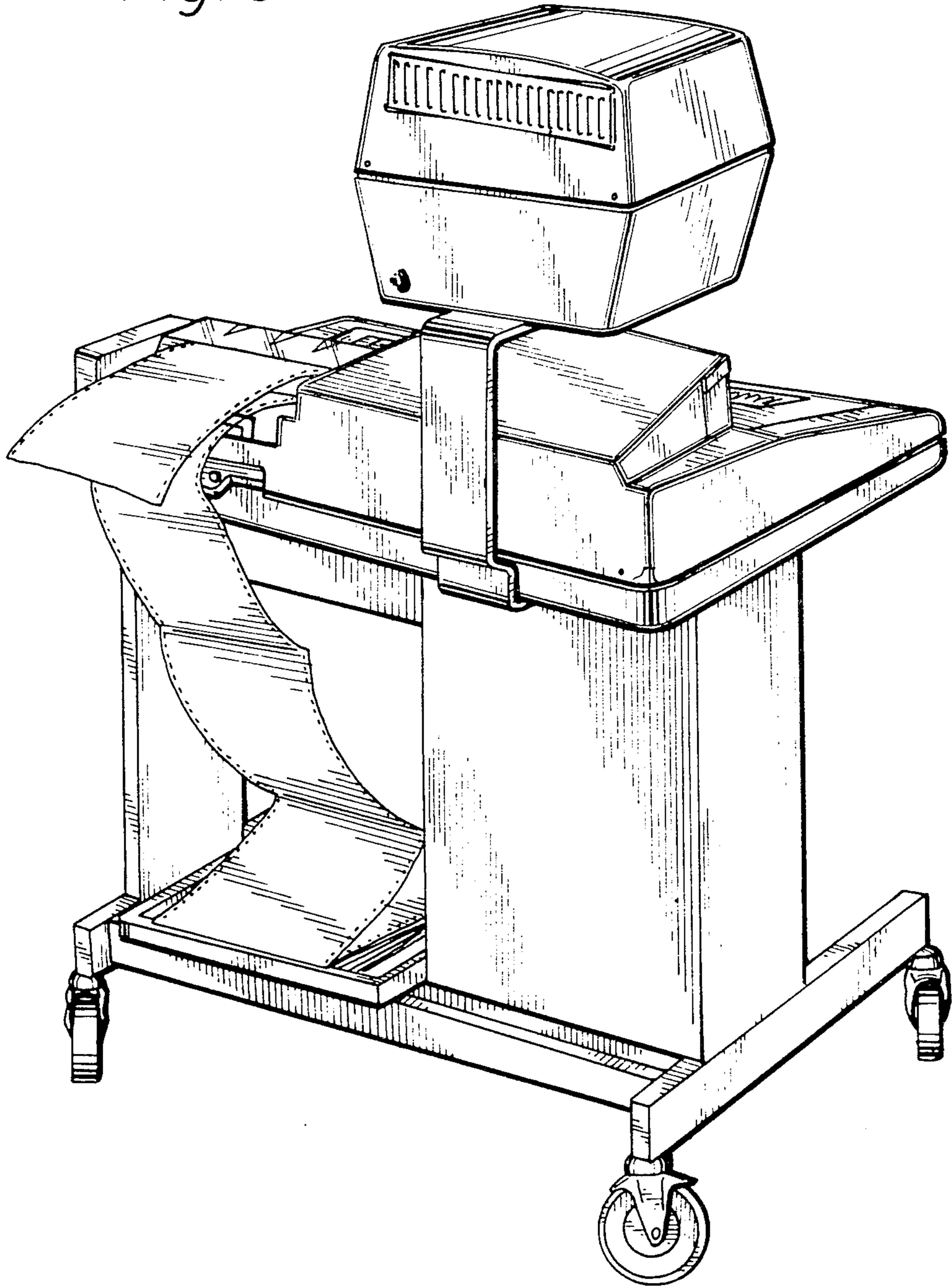
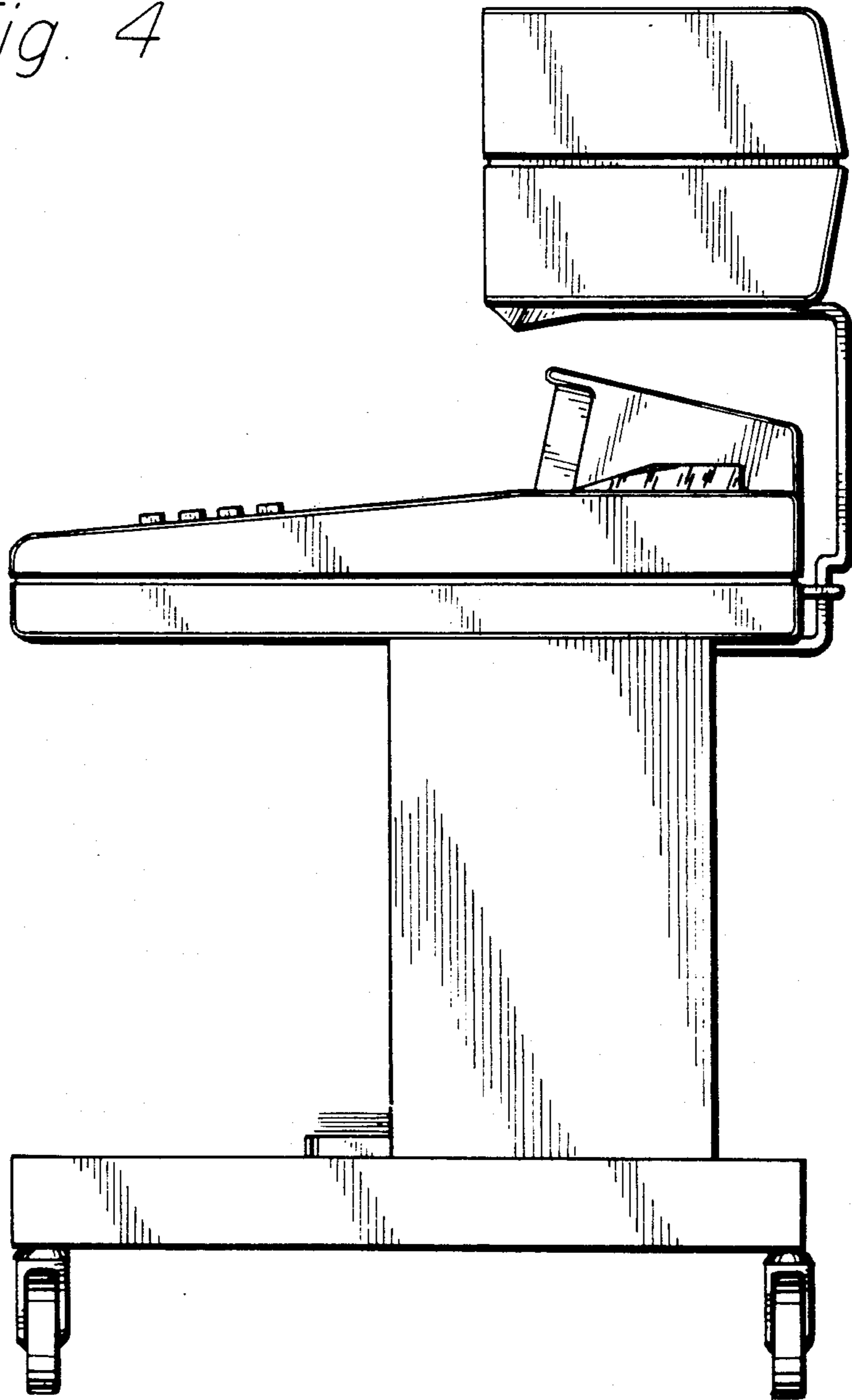


Fig. 4



UNITED STATES PATENT AND TRADEMARK OFFICE
CERTIFICATE OF CORRECTION

PATENT NO. : DES. 280,100
DATED : August 13, 1985
INVENTOR(S) : Joseph L. Ungar

It is certified that error appears in the above-identified patent and that said Letters Patent are hereby corrected as shown below:

ON THE TITLE PAGE

Change Assignee from "Joseph Lindsay Ungar" to:

Advanced Technology Laboratories, Inc.,
Bellevue, Washington

Signed and Sealed this
Nineteenth Day of November 1985

[SEAL]

Attest:

DONALD J. QUIGG

Attesting Officer

Commissioner of Patents and Trademarks