

[54] TELEPHONE STAND OR SIMILAR ARTICLE

[75] Inventors: John N. McGarvey, Drexel Hill, Pa.; Alvin R. Tilley, Red Bank, N.J.

[73] Assignee: AT&T Technologies, Inc., Berkeley Heights, N.J.

[**] Term: 14 Years

[21] Appl. No.: 632,189

[22] Filed: Jul. 19, 1984

[52] U.S. Cl. D14/60; D14/65

[58] Field of Search D14/52, 53, 59, 60, D14/58; 179/100 R, 100 C, 100 D, 101, 102, 147

[56] References Cited

U.S. PATENT DOCUMENTS

D. 216,427	1/1970	Dreyfuss	D26/14
D. 216,641	2/1970	Phillips	D26/14
D. 218,043	7/1970	Bolick	D14/65
D. 252,570	8/1979	Genaro et al.	D14/60
D. 265,734	8/1972	Mahan	D14/60

D. 269,088	5/1983	Genaro et al.	D14/92
D. 272,147	1/1984	Coons et al.	D14/60
D. 272,148	1/1984	Coons et al.	D14/60
D. 273,955	5/1984	Brown et al.	D14/60
D. 275,483	9/1984	Genaro et al.	D14/60
3,073,911	1/1963	Maltke et al.	D14/53

Primary Examiner—Wallace R. Burke
Assistant Examiner—Horace B. Fay
Attorney, Agent, or Firm—H. L. Newman

[57] CLAIM

The ornamental design for a telephone stand or similar article, substantially as shown and described.

DESCRIPTION

FIG. 1 is a top plan view of a telephone stand or similar article embodying our new design; FIG. 2 is a side elevation thereof, the opposite side being essentially a mirror image of the side shown; FIG. 3 is a bottom plan view thereof; FIG. 4 is an end elevation thereof; FIG. 5 is an end elevation of the opposite end from that shown in FIG. 4; and FIG. 6 is a perspective view thereof.

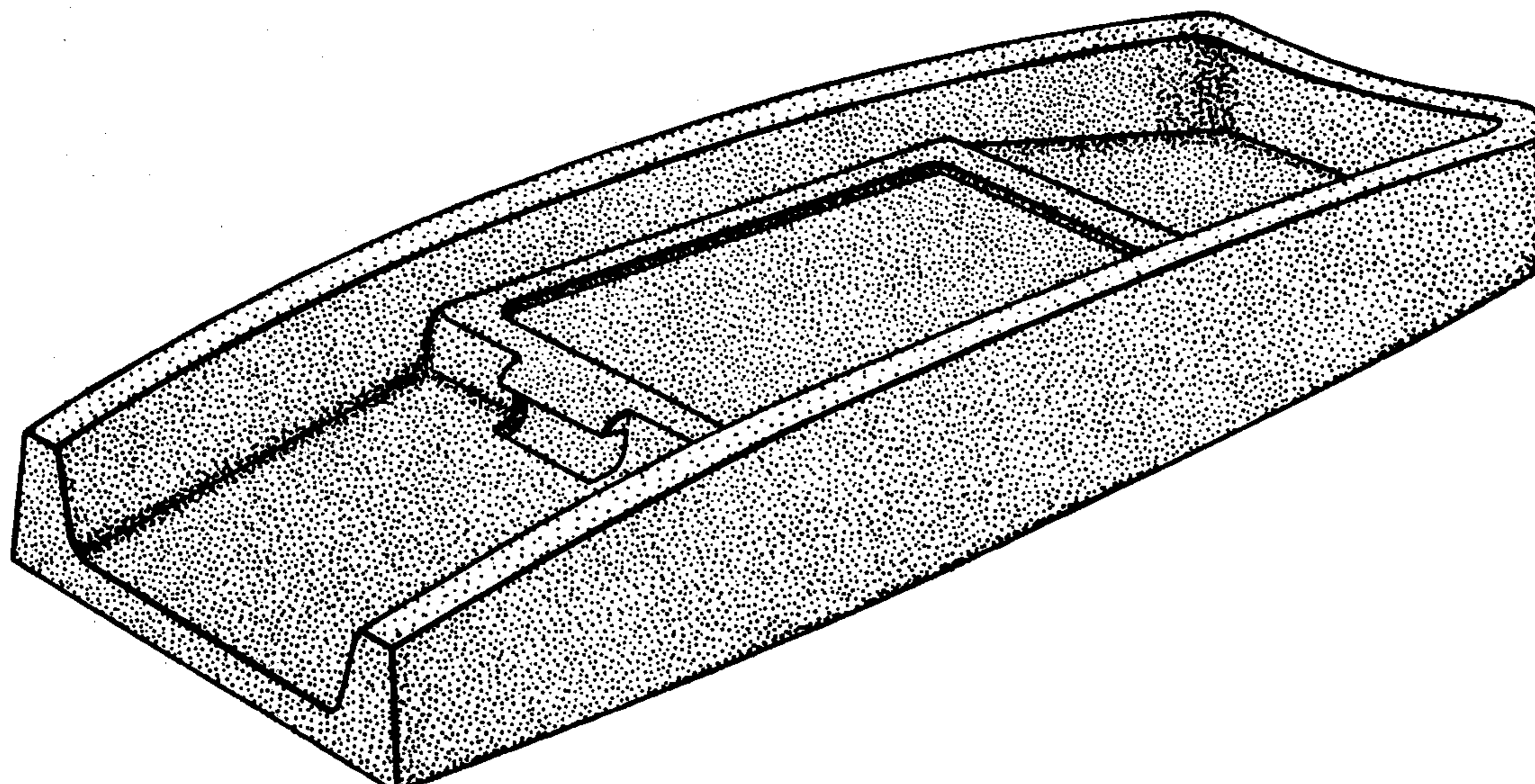
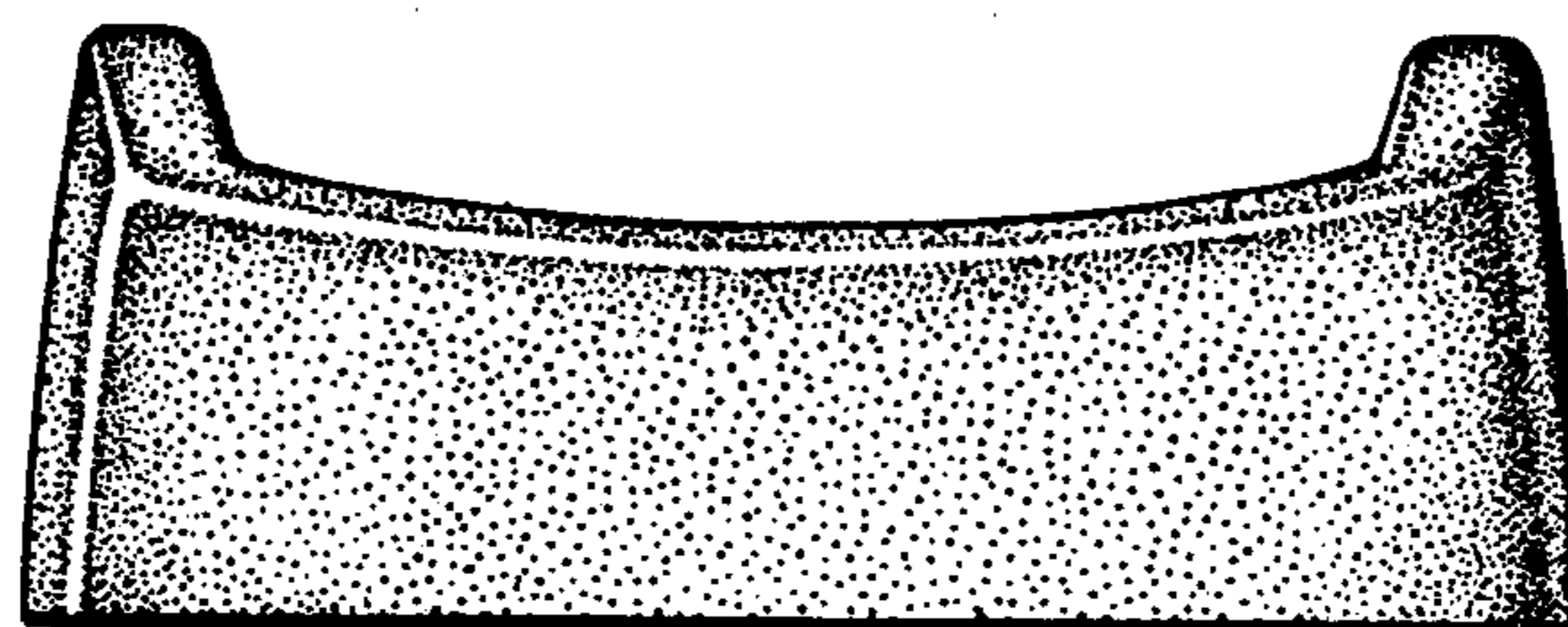


FIG. 1

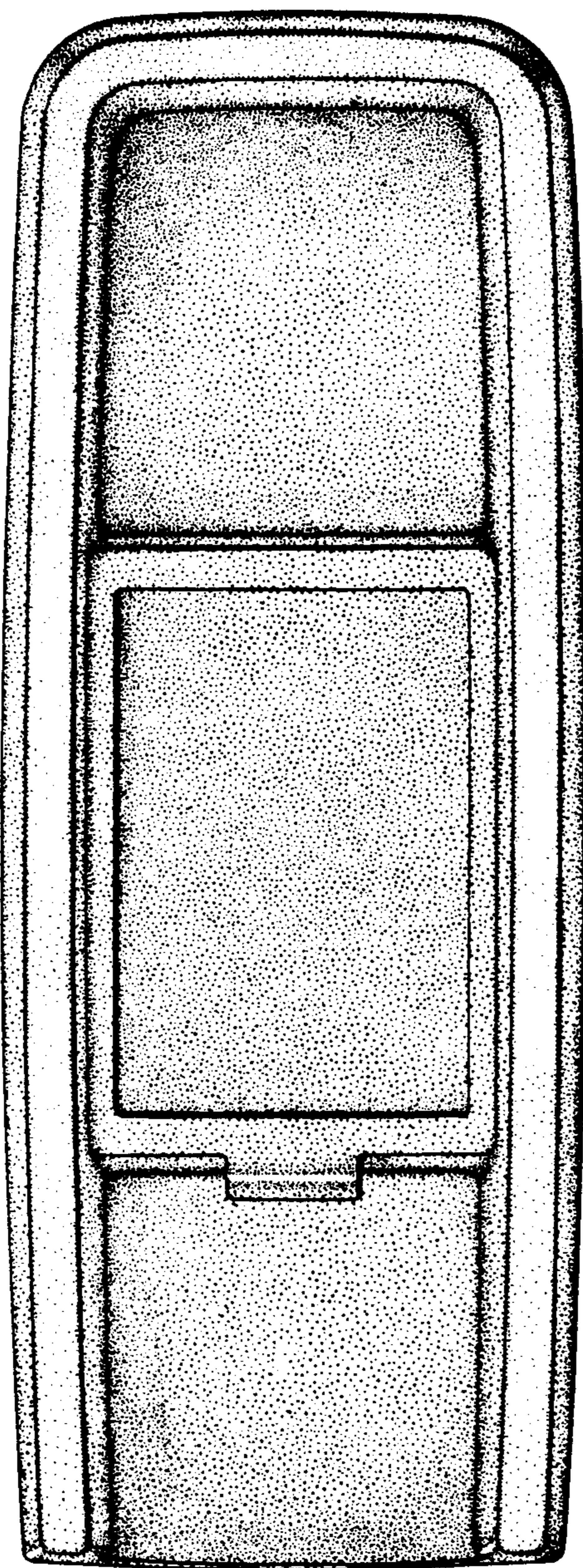


FIG. 2

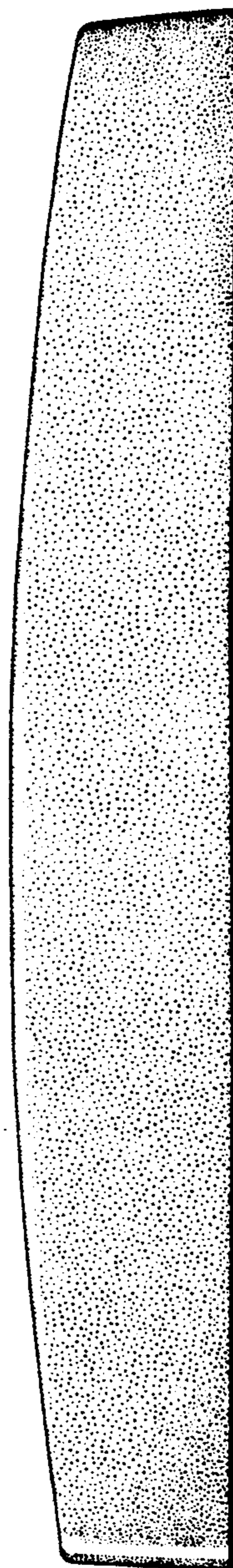


FIG. 3

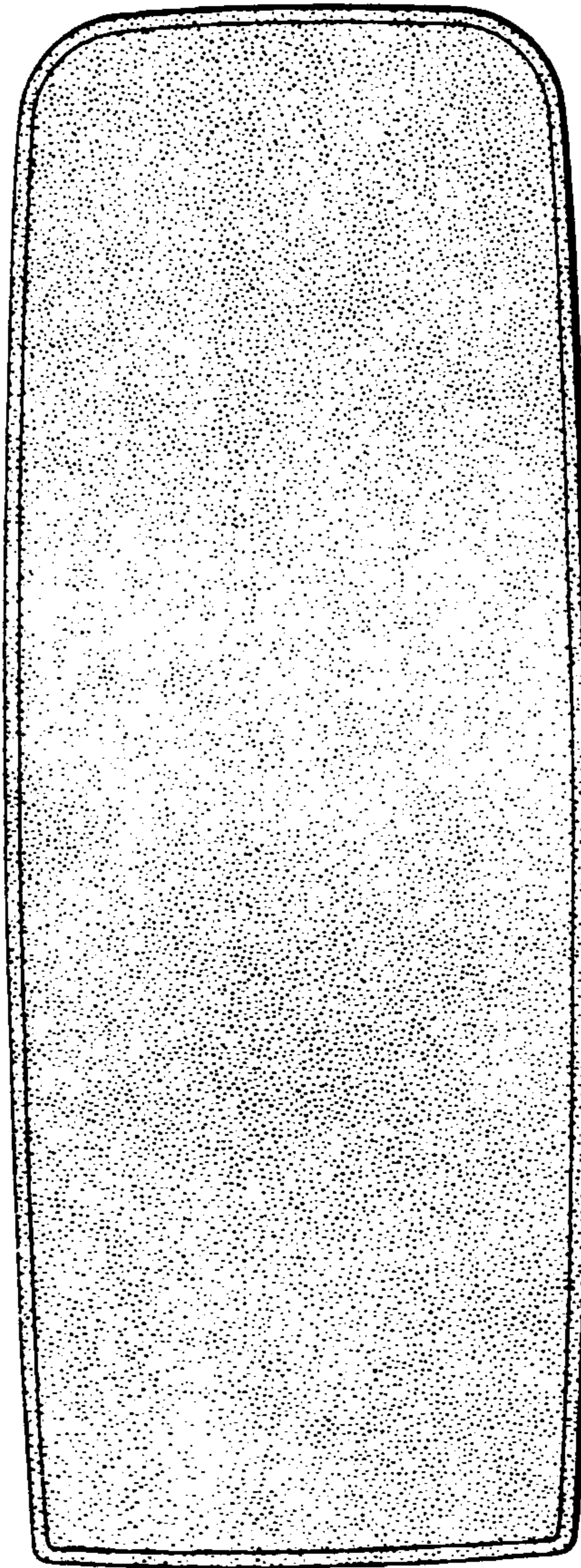


FIG. 5

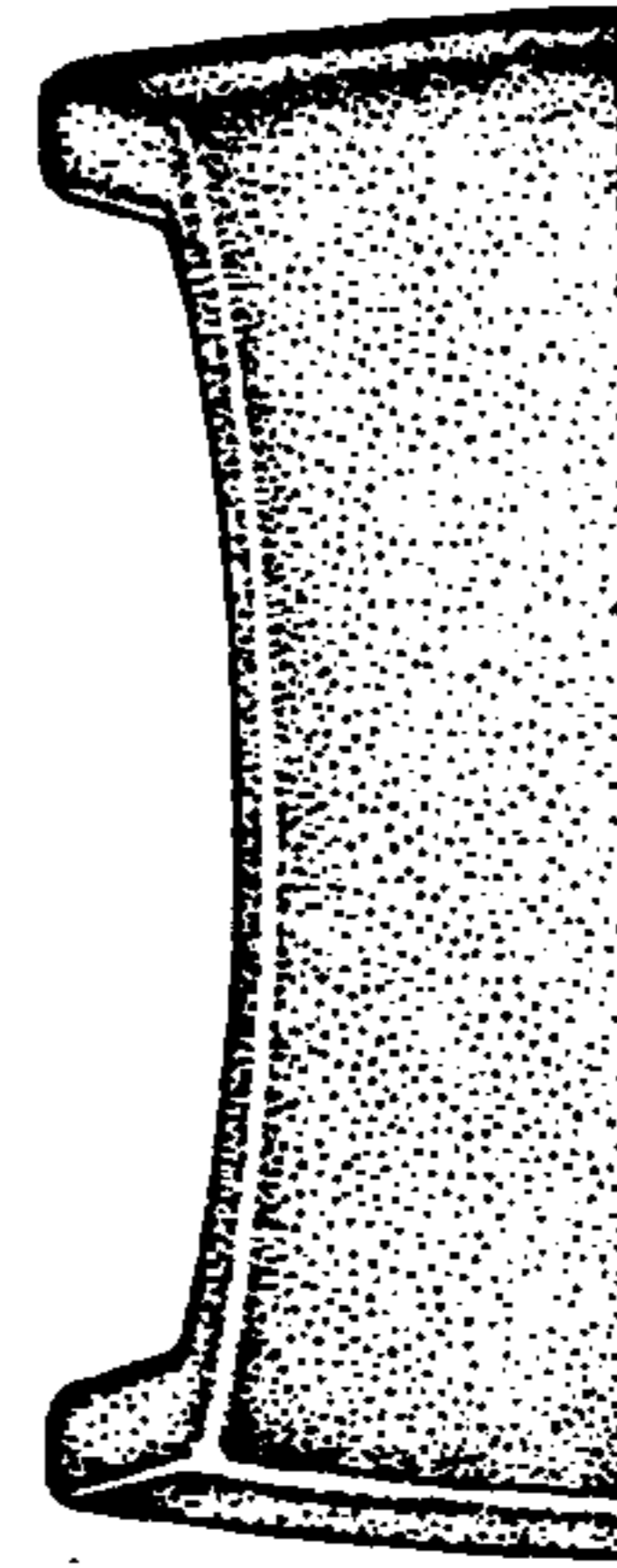
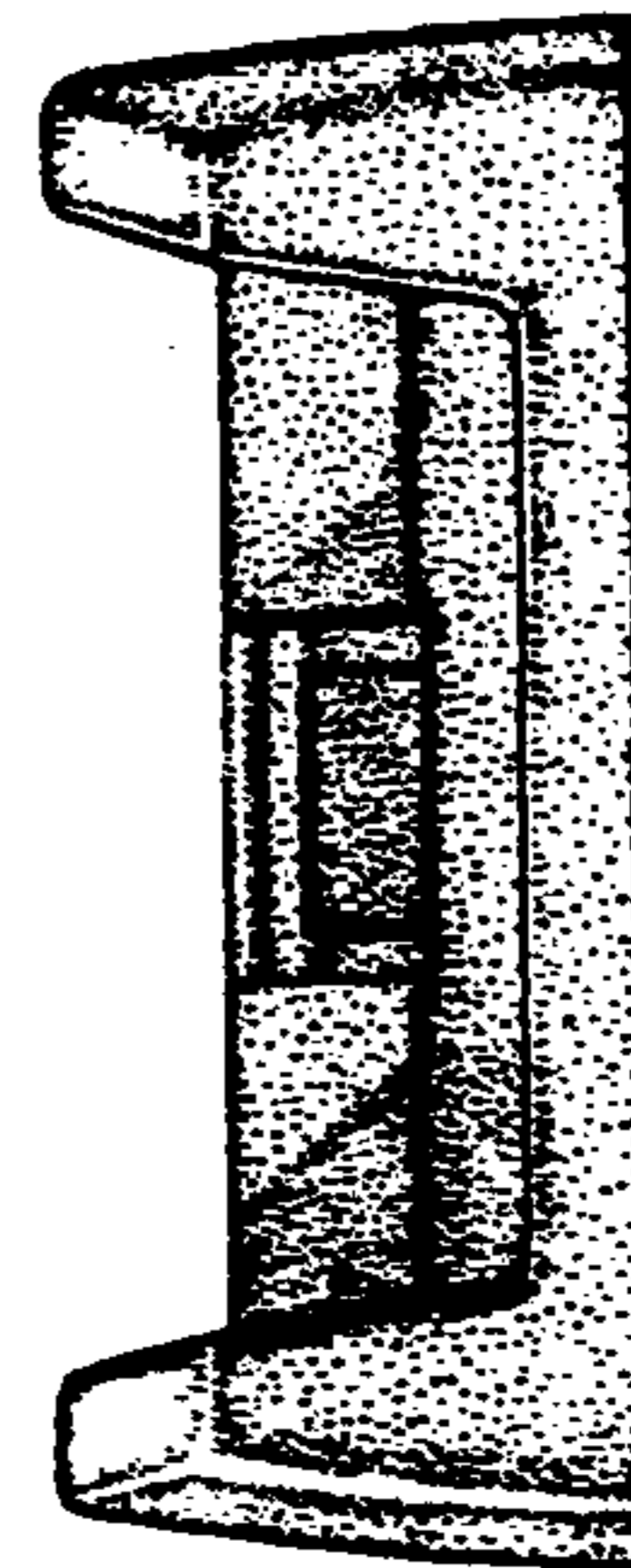


FIG. 4



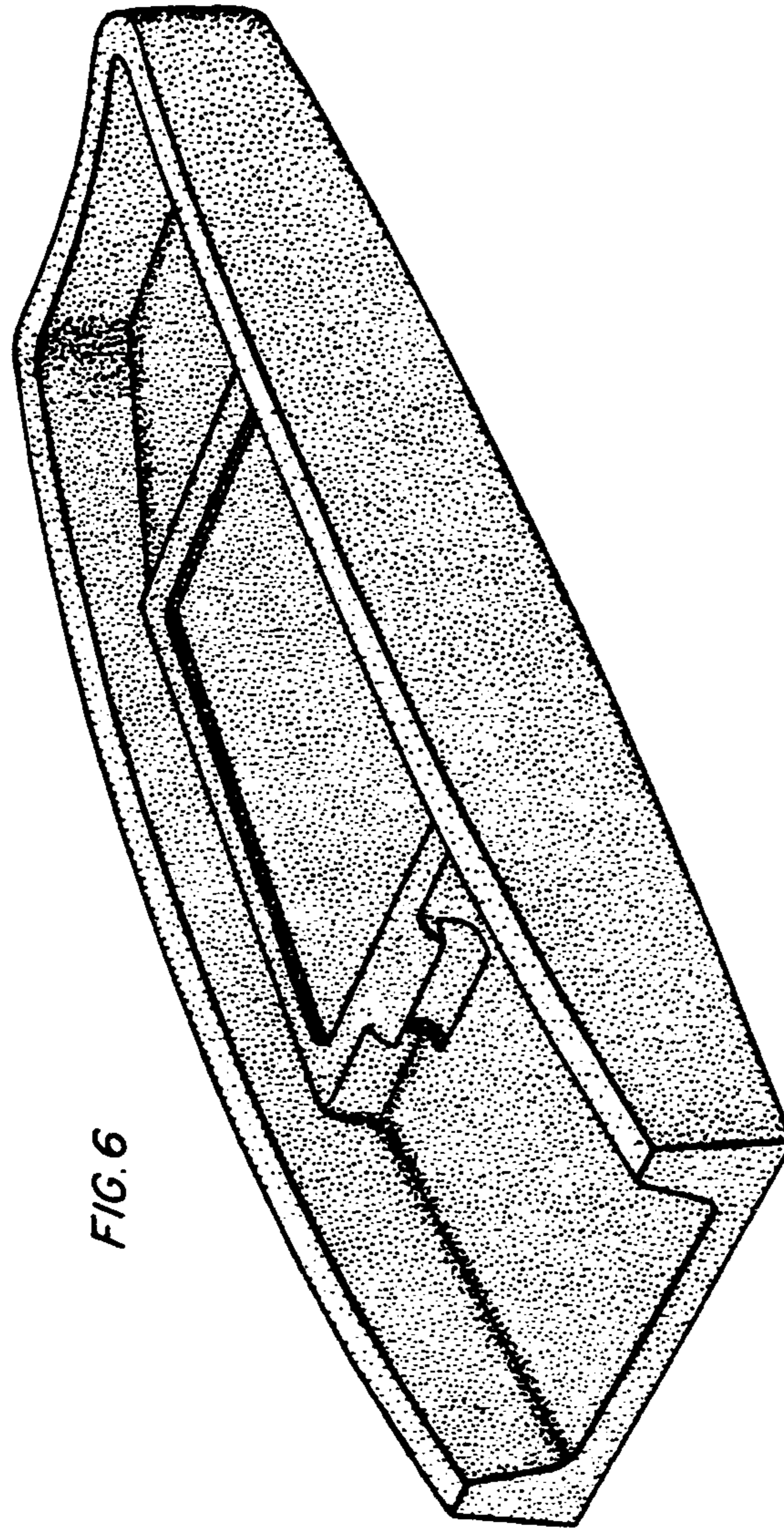


FIG. 6