

[54] **ELECTRONIC INTERCOMMUNICATION UNIT**

[75] **Inventors: Hiroshi Yamagata; Kendo Makihara, both of Osaka, Japan**

[73] **Assignee: Sharp Corporation, Osaka, Japan**

[\*\*] **Term: 14 Years**

[21] **Appl. No.: 497,908**

[22] **Filed: May 25, 1983**

[30] **Foreign Application Priority Data**

Nov. 30, 1982 [JP] Japan ..... 57-54178

[52] **U.S. Cl. .... D14/58; D14/92; D14/52**

[58] **Field of Search ..... D14/52, 58, 59, 92, D14/33, 60, 68, 70; 179/179, 37-40, 102, 100 L; 381/77**

[56] **References Cited**

**U.S. PATENT DOCUMENTS**

D. 211,092	5/1968	Kohn	.....	D14/92
D. 243,526	3/1977	Van de Poel	.....	D14/58
D. 251,296	3/1979	Haas	.....	D14/58
D. 255,444	6/1980	Houlihan	.....	D14/70
D. 256,236	8/1980	Nagele et al.	.....	D14/52

D. 260,520	9/1981	Nagele	.....	D14/68
D. 264,969	6/1982	McGourty	.....	D14/68
D. 272,149	1/1984	Genaro et al.	.....	D14/60
D. 272,824	2/1984	McGourty	.....	D14/68
D. 274,518	7/1984	Doodson	.....	D14/92

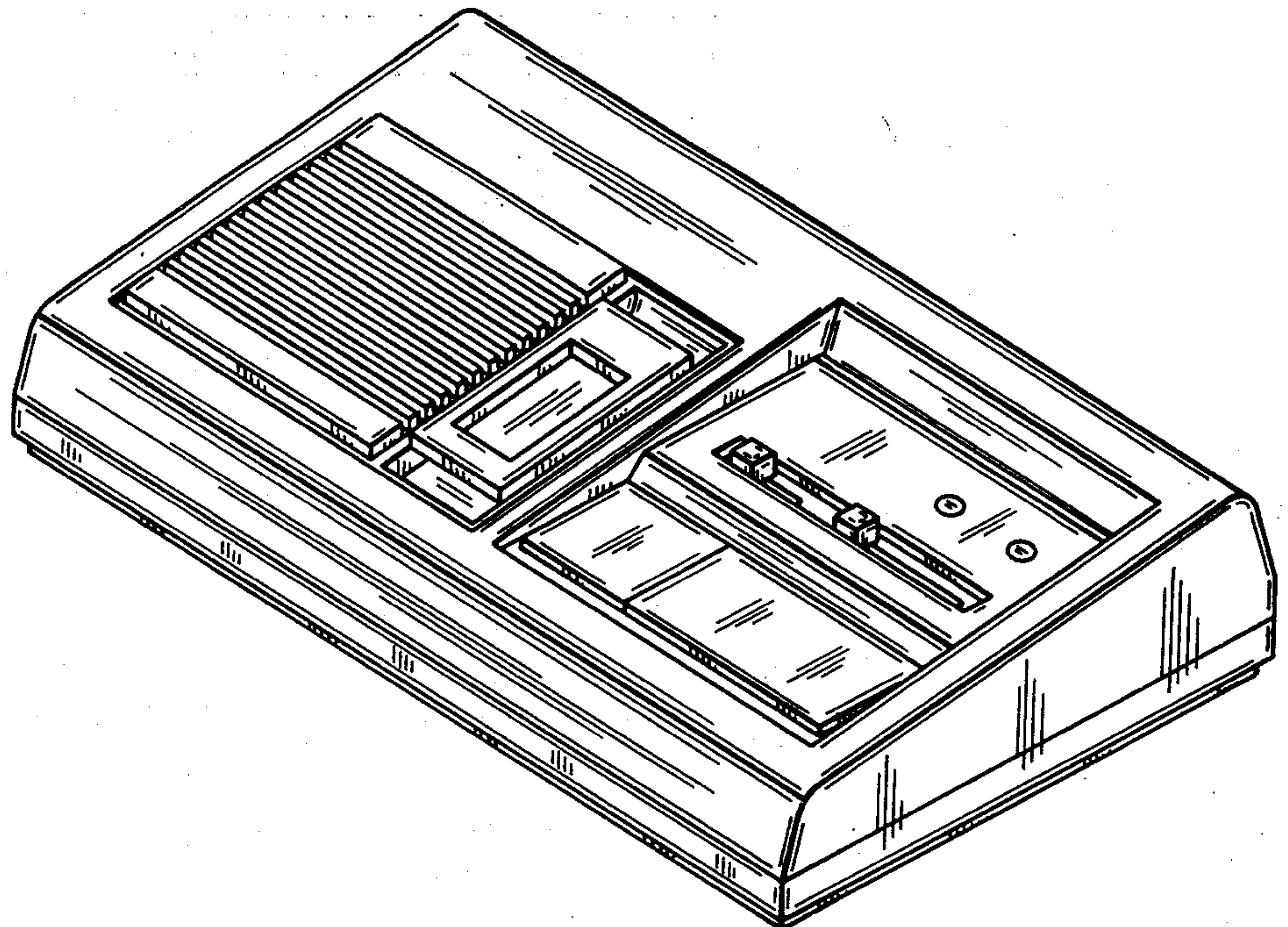
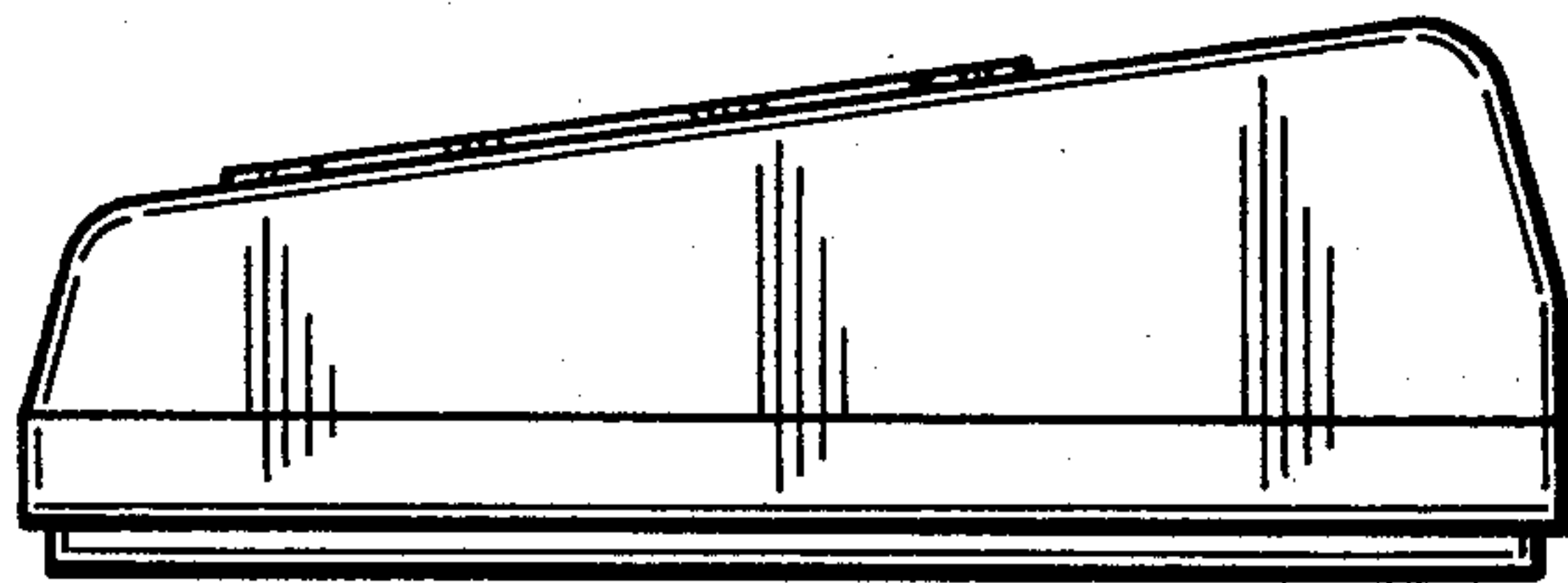
*Primary Examiner*—Wallace R. Burke  
*Assistant Examiner*—Horace B. Fay  
*Attorney, Agent, or Firm*—Flehr, Hohbach, Test, Albritton & Herbert

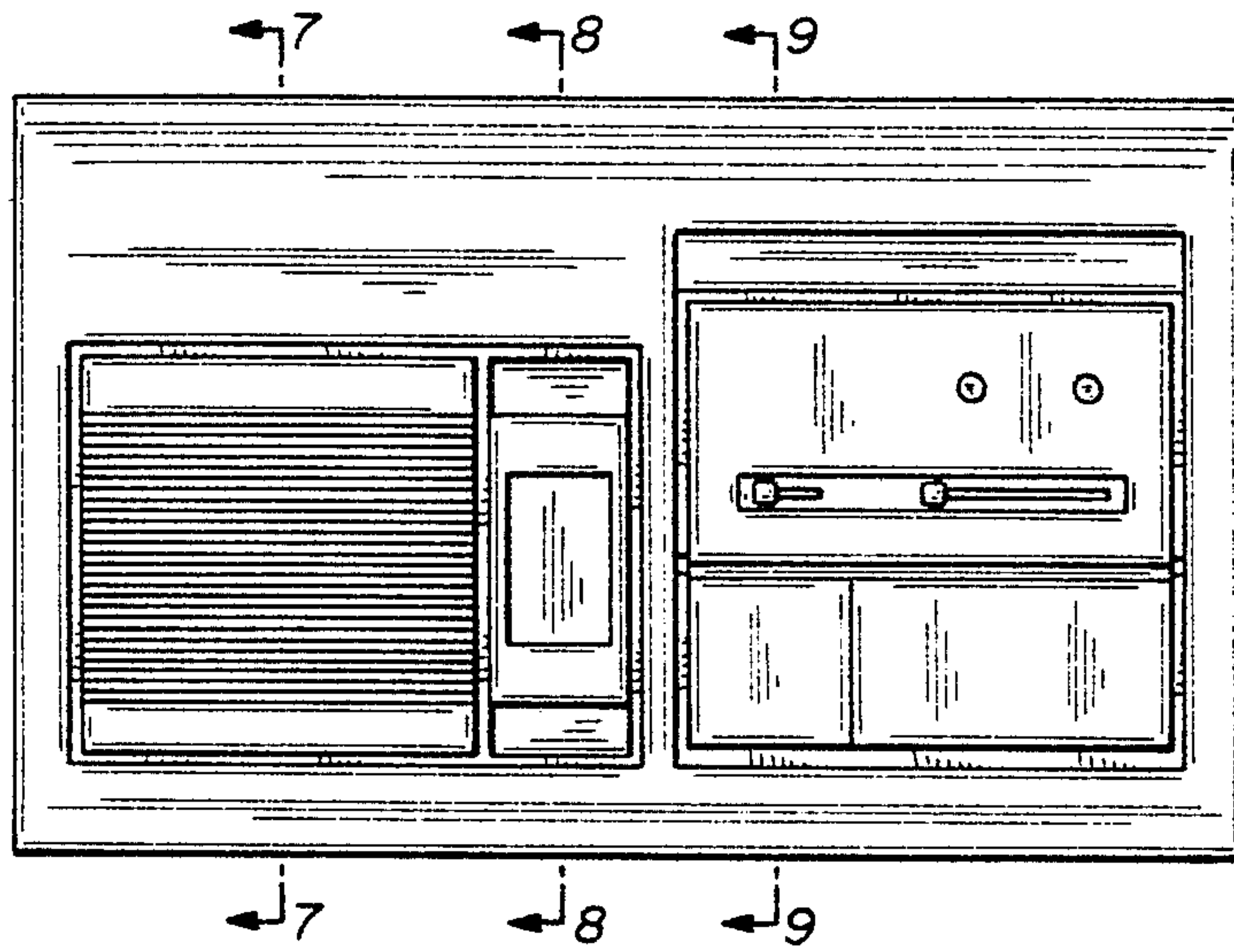
[57] **CLAIM**

The ornamental design for an electronic intercommunications unit, as shown and described.

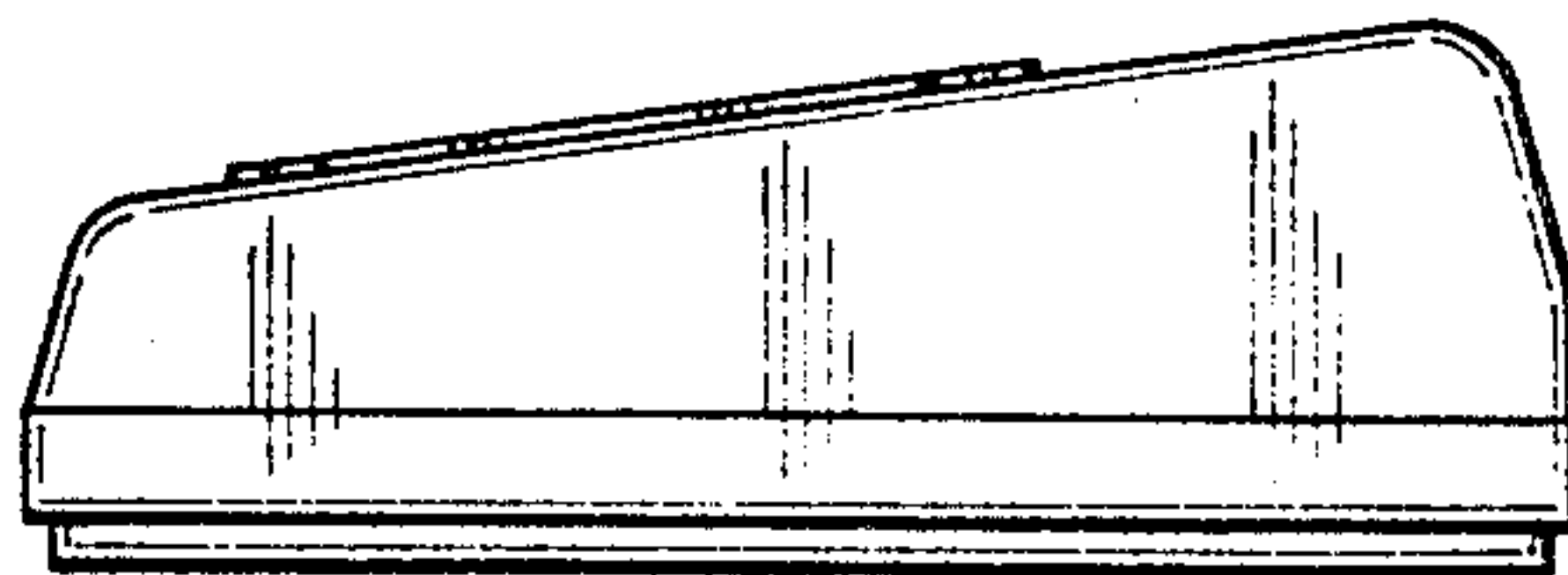
**DESCRIPTION**

FIG. 1 is a top plan view of an electronic intercommunications unit showing our new design; FIG. 2 is a right side elevational view thereof; FIG. 3 is a front elevational view thereof; FIG. 4 is a rear elevational view thereof; FIG. 5 is a left side elevational view thereof; FIG. 6 is a bottom plan view thereof; FIGS. 7, 8, and 9 are vertical sectional views, taken generally along the lines 7—7, 8—8 and 9—9, respectively, in FIG. 1; and FIG. 10 is a front and right side view from above showing in perspective, as appropriate, the design depicted in FIGS. 1, 2, and 3.

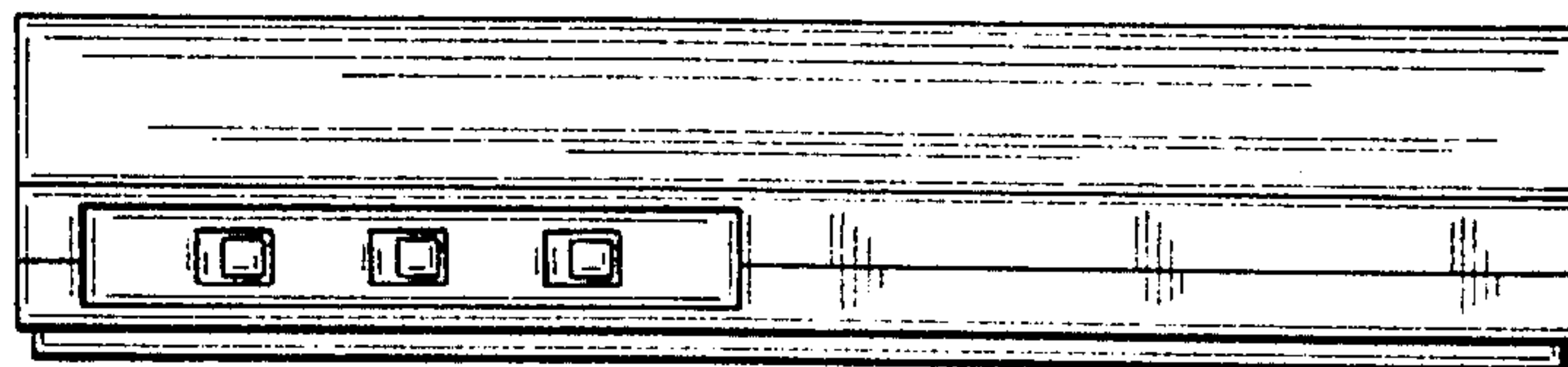




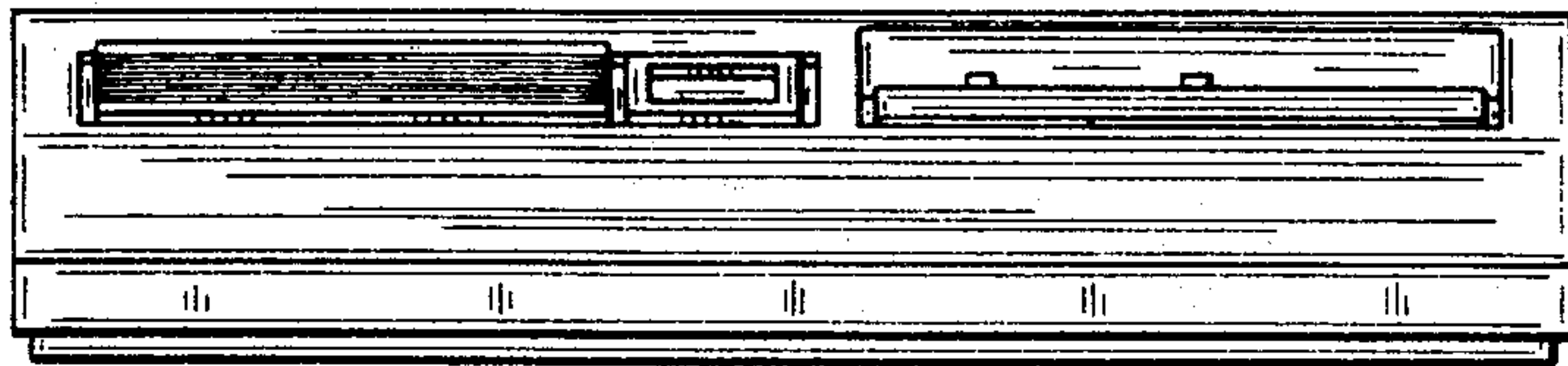
**FIG\_1**



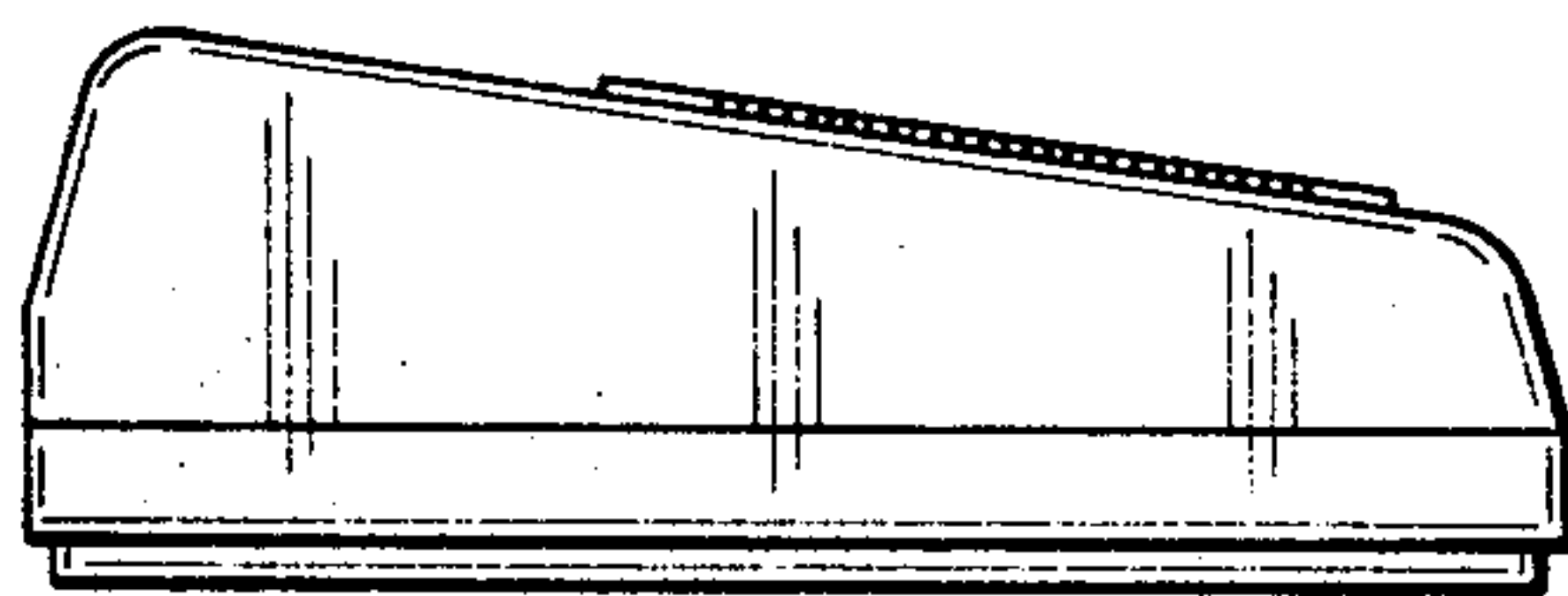
**FIG\_2**



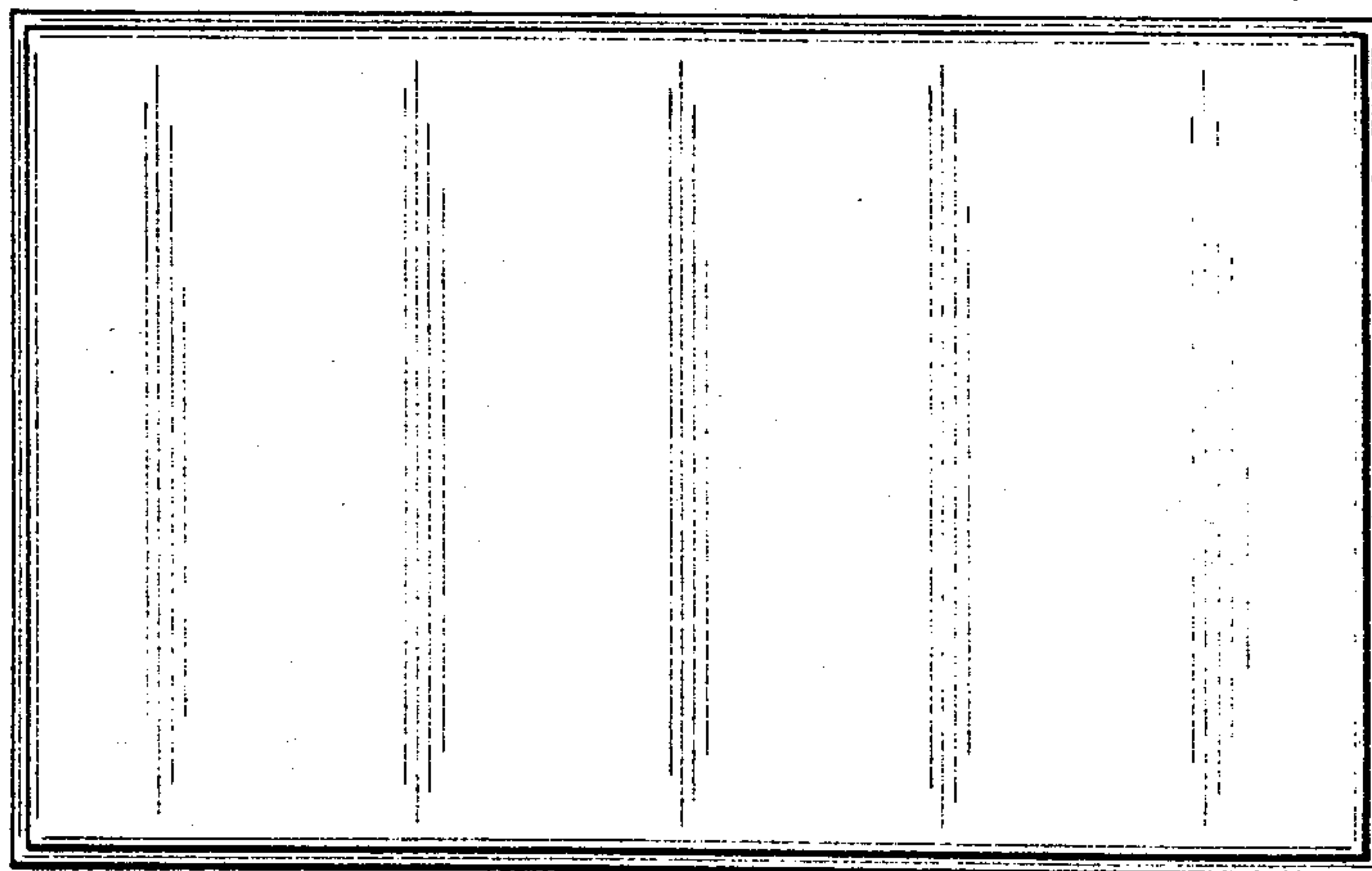
**FIG\_3**



**FIG\_4**

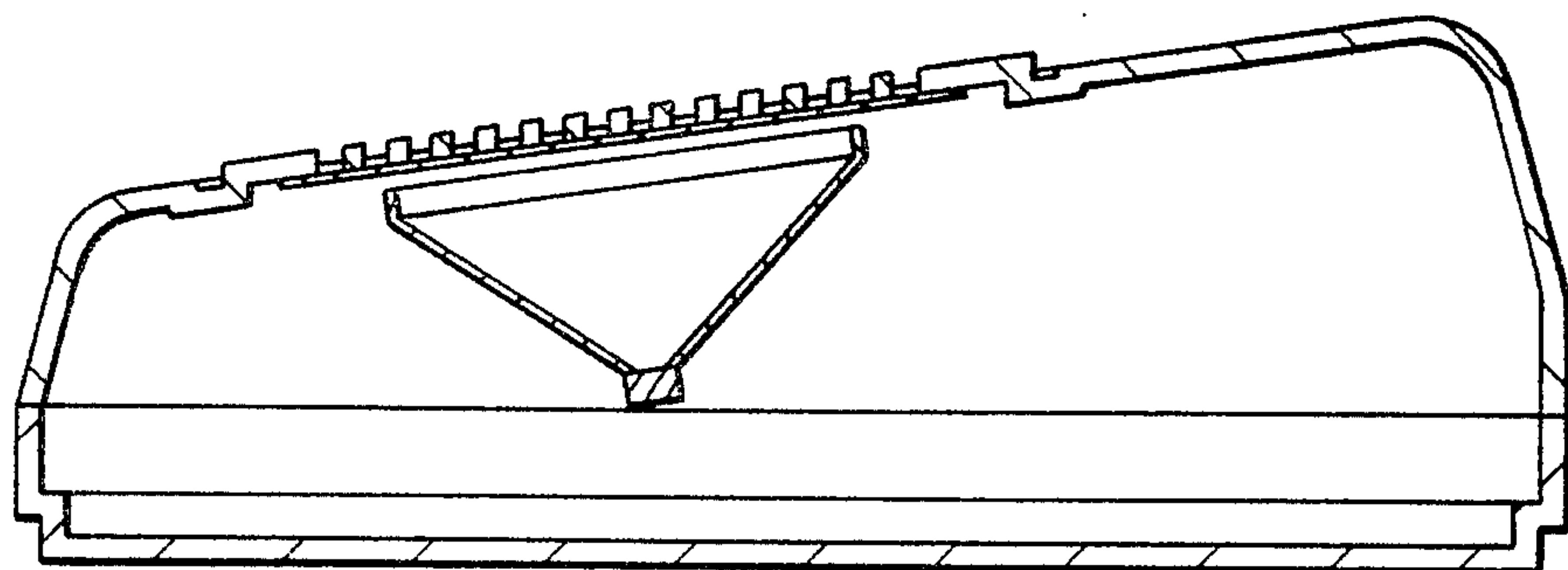


**FIG\_5**

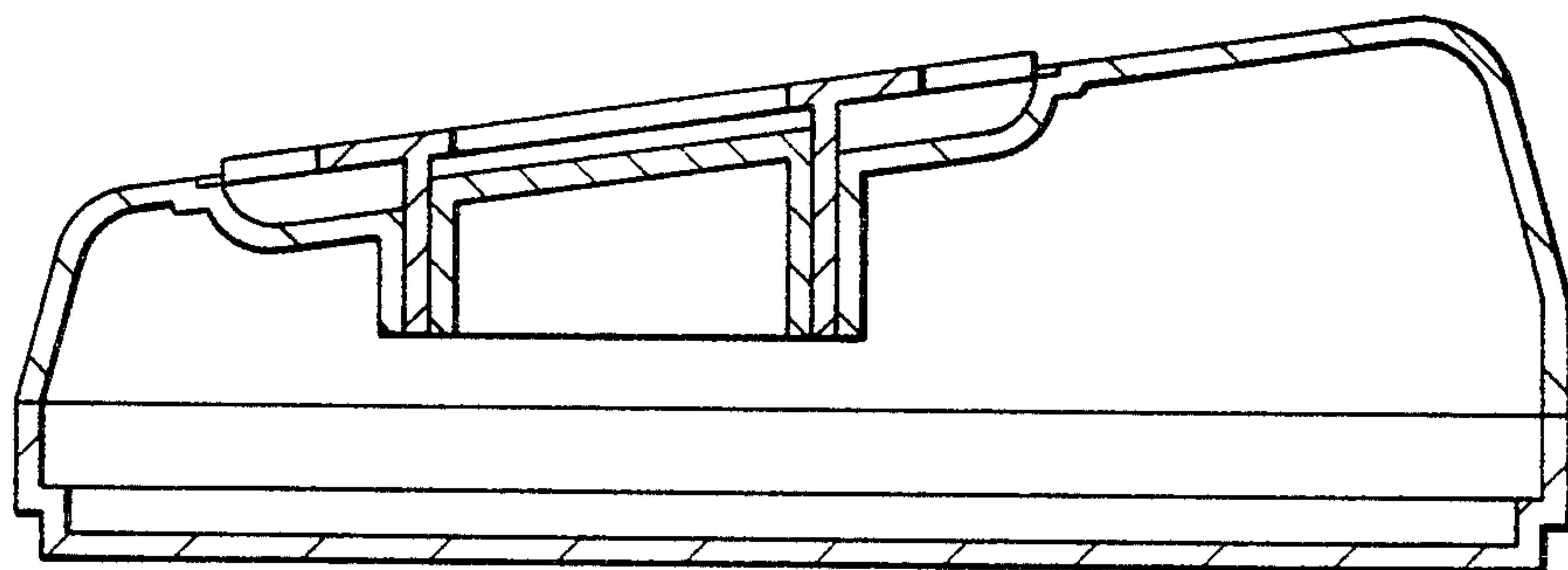


**FIG\_6**

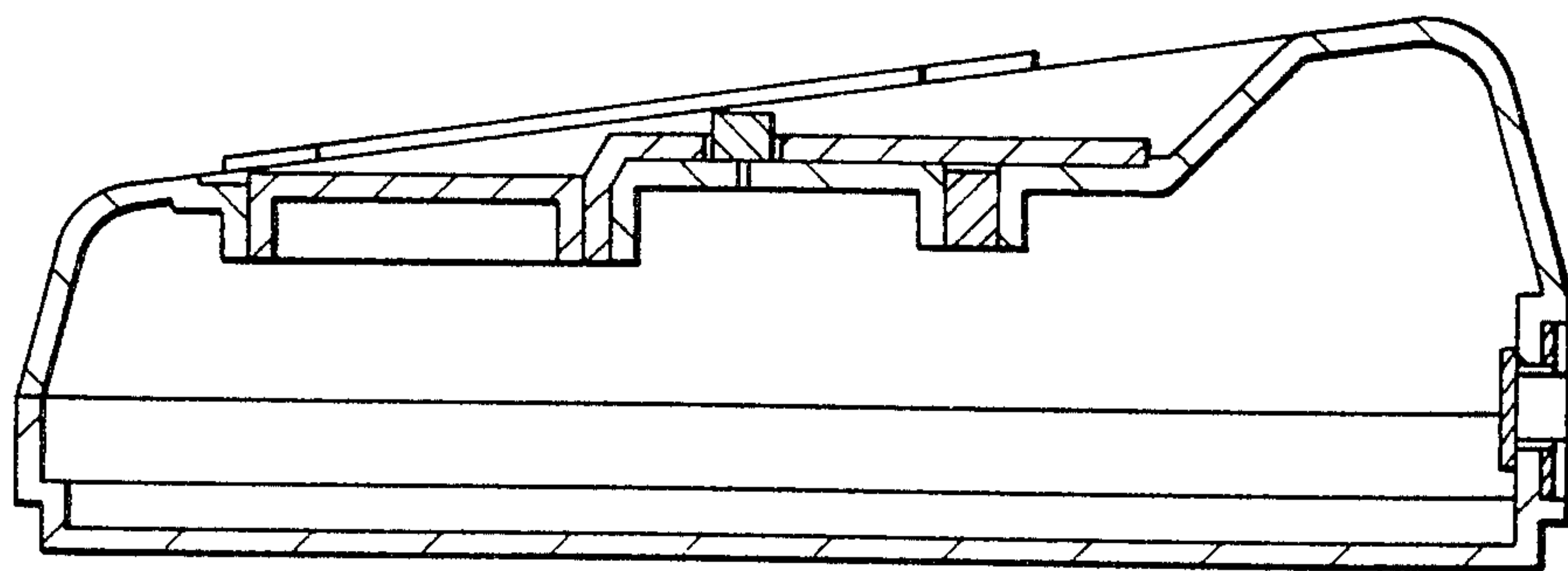




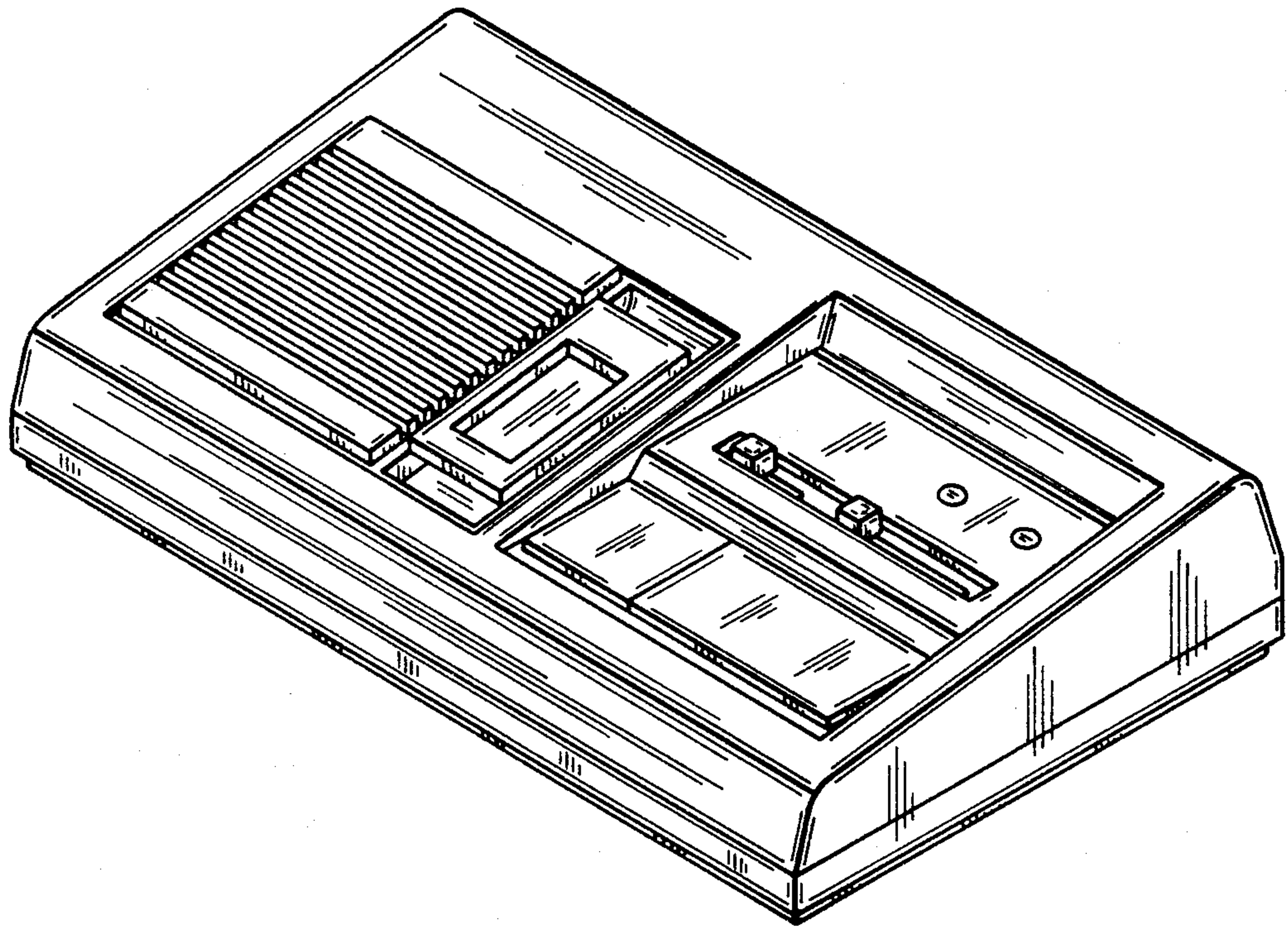
*FIG\_7*



*FIG\_8*



*FIG\_9*



**FIG\_10**