

United States Patent [19]
Blower

[11] **Patent Number: Des. 280,089**
[45] **Date of Patent: ** Aug. 13, 1985**

[54] **VEHICLE FOR PARAPLEGIC PERSONS**

4,111,445 9/1978 Haibeck D12/128

[75] **Inventor: Peter Blower, Hertfordshire, England**

[73] **Assignee: British Aerospace PLC, London, England**

[**] **Term: 14 Years**

[21] **Appl. No.: 435,737**

[22] **Filed: Oct. 21, 1982**

[52] **U.S. Cl. D12/128; D12/85**

[58] **Field of Search D12/128, 85; 297/5; 180/210, 211, 216, 65.1; 280/79.3**

[56] **References Cited**

U.S. PATENT DOCUMENTS

D. 267,084 11/1982 Bittinger D12/85
D. 273,776 5/1984 Forrest D12/128

OTHER PUBLICATIONS

Industrial Equipment News, 3/73, p. 82, Personnel Carrier, top center of page.

Primary Examiner—James M. Gandy
Attorney, Agent, or Firm—Cushman, Darby & Cushman

[57] **CLAIM**

The ornamental design for a vehicle for paraplegic persons, as shown and described.

DESCRIPTION

FIG. 1 is a perspective view of a vehicle for paraplegic persons showing my new design;
FIG. 2 is a top perspective view thereof;
FIG. 3 is a front perspective view thereof;
FIG. 4 is a right side perspective view thereof; and
FIG. 5 is a perspective view thereof;
The bottom of the vehicle is plain and unornamented.

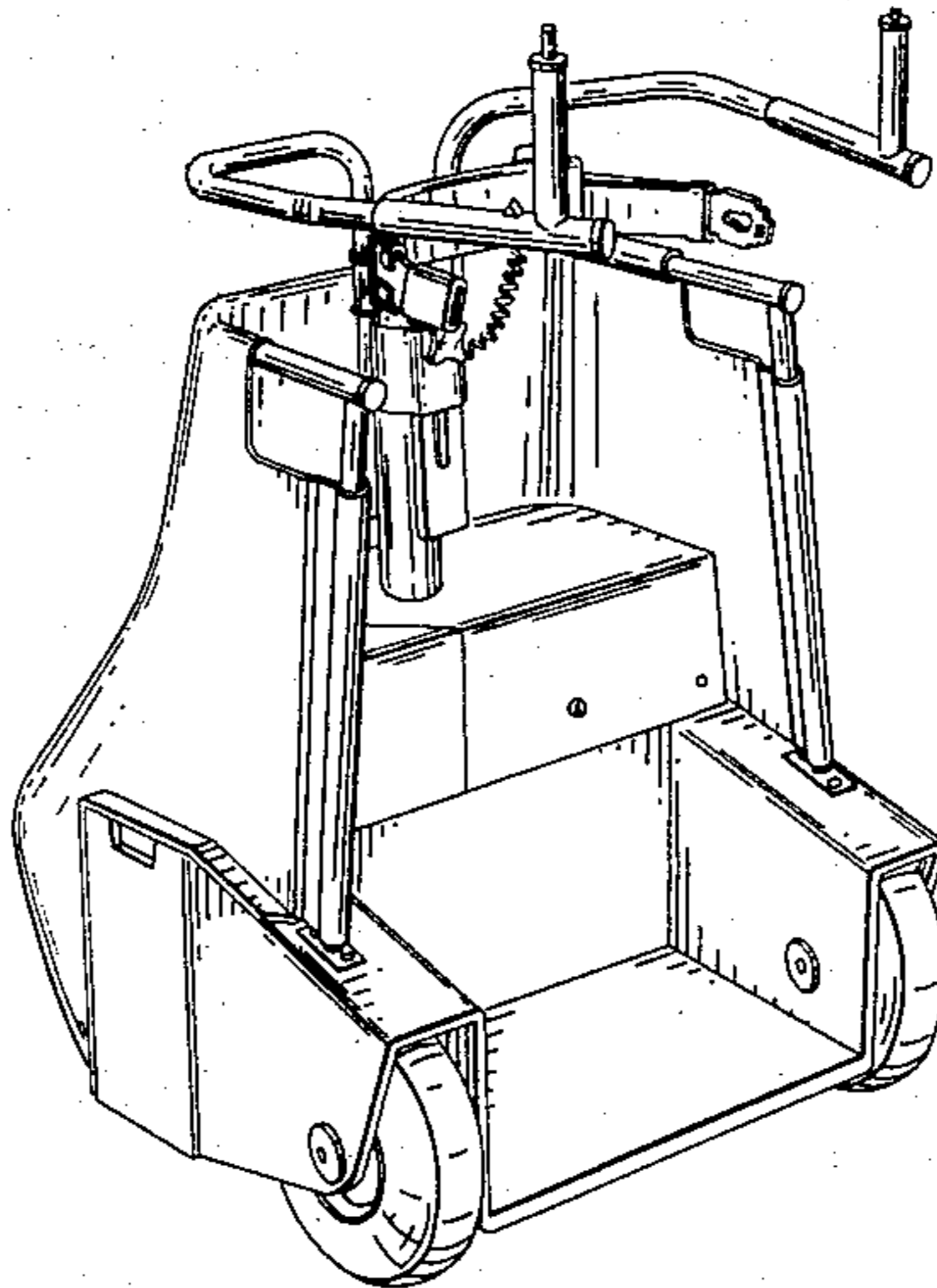


Fig. 1.

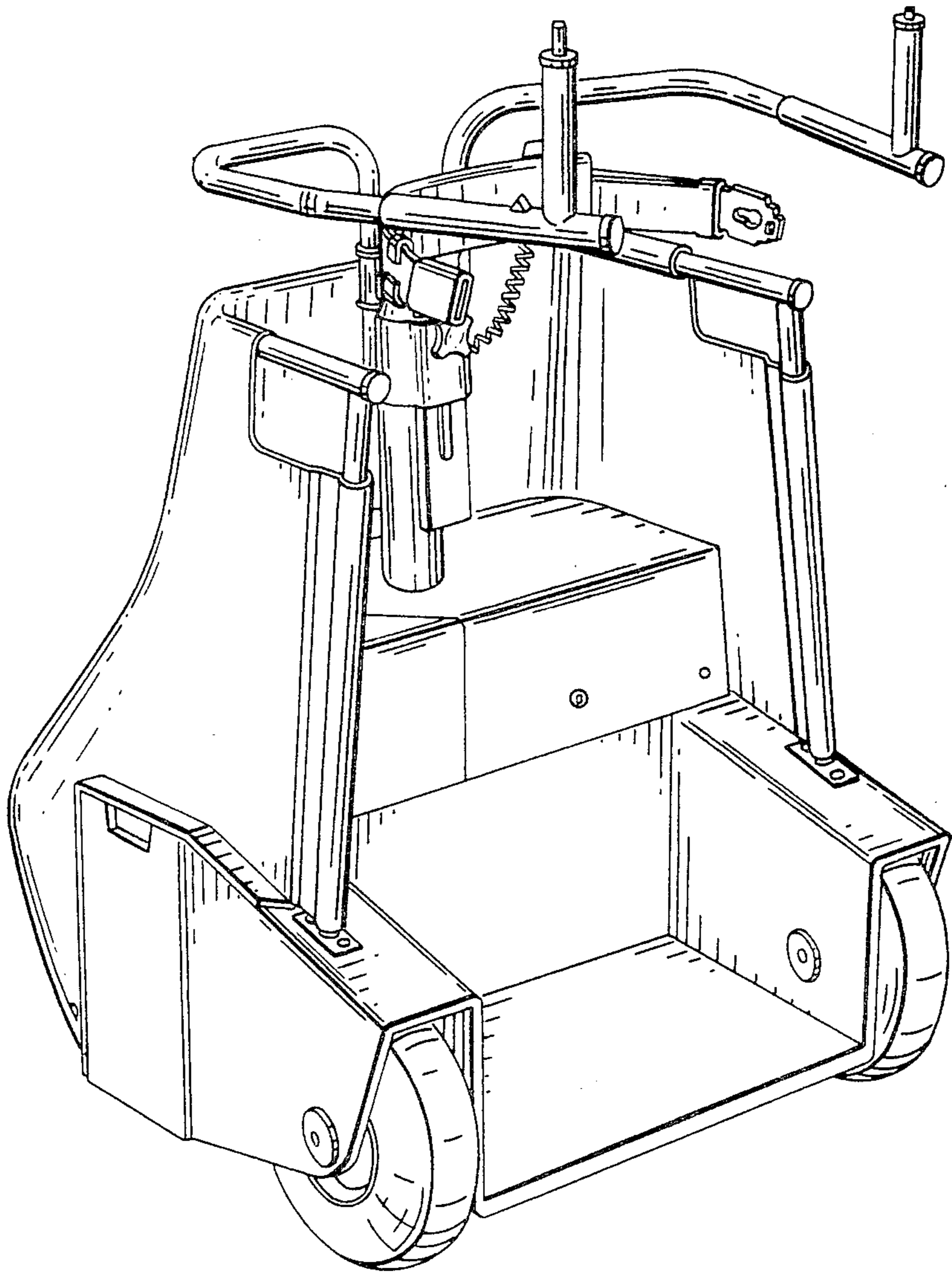


Fig. 2.

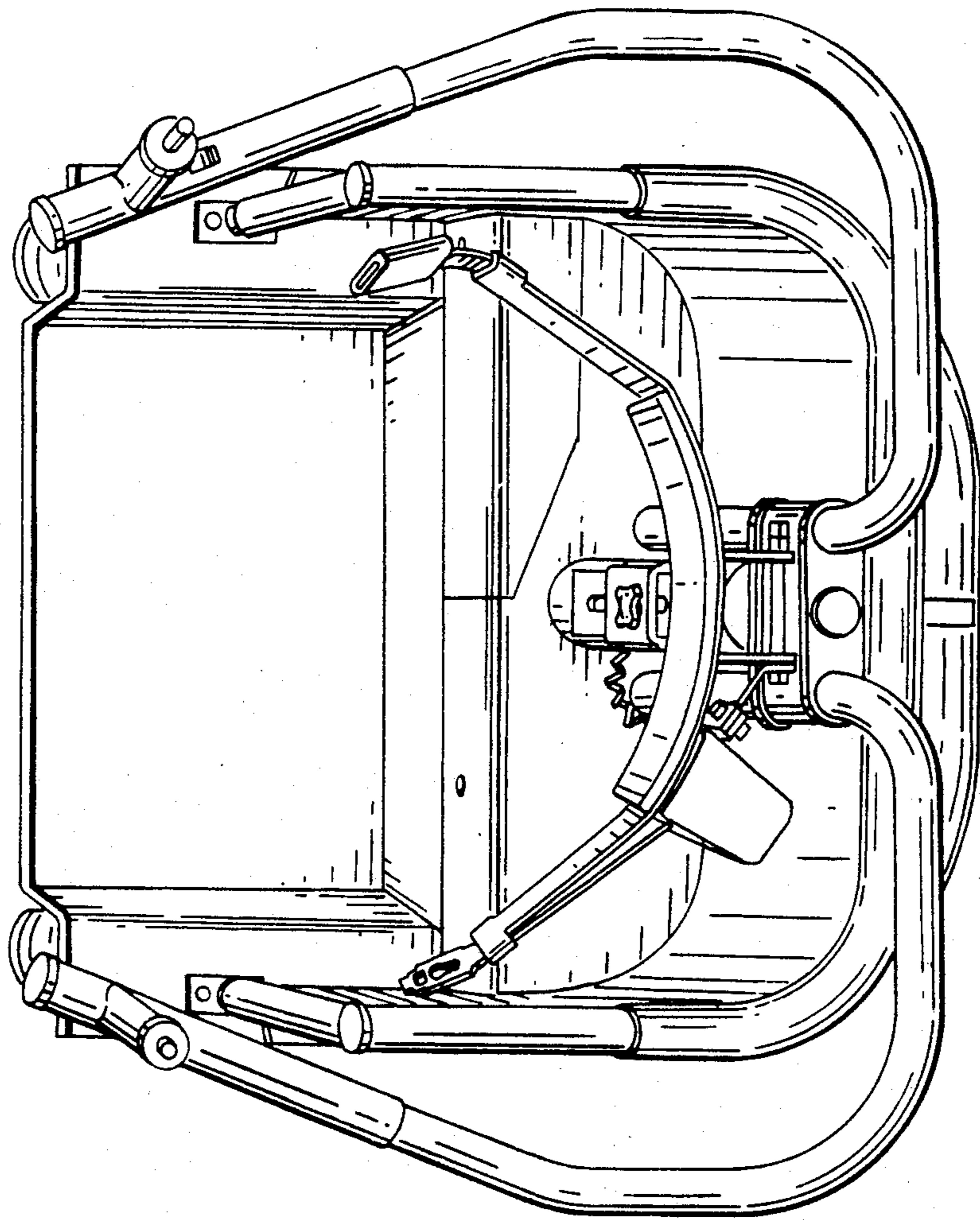


Fig. 3.

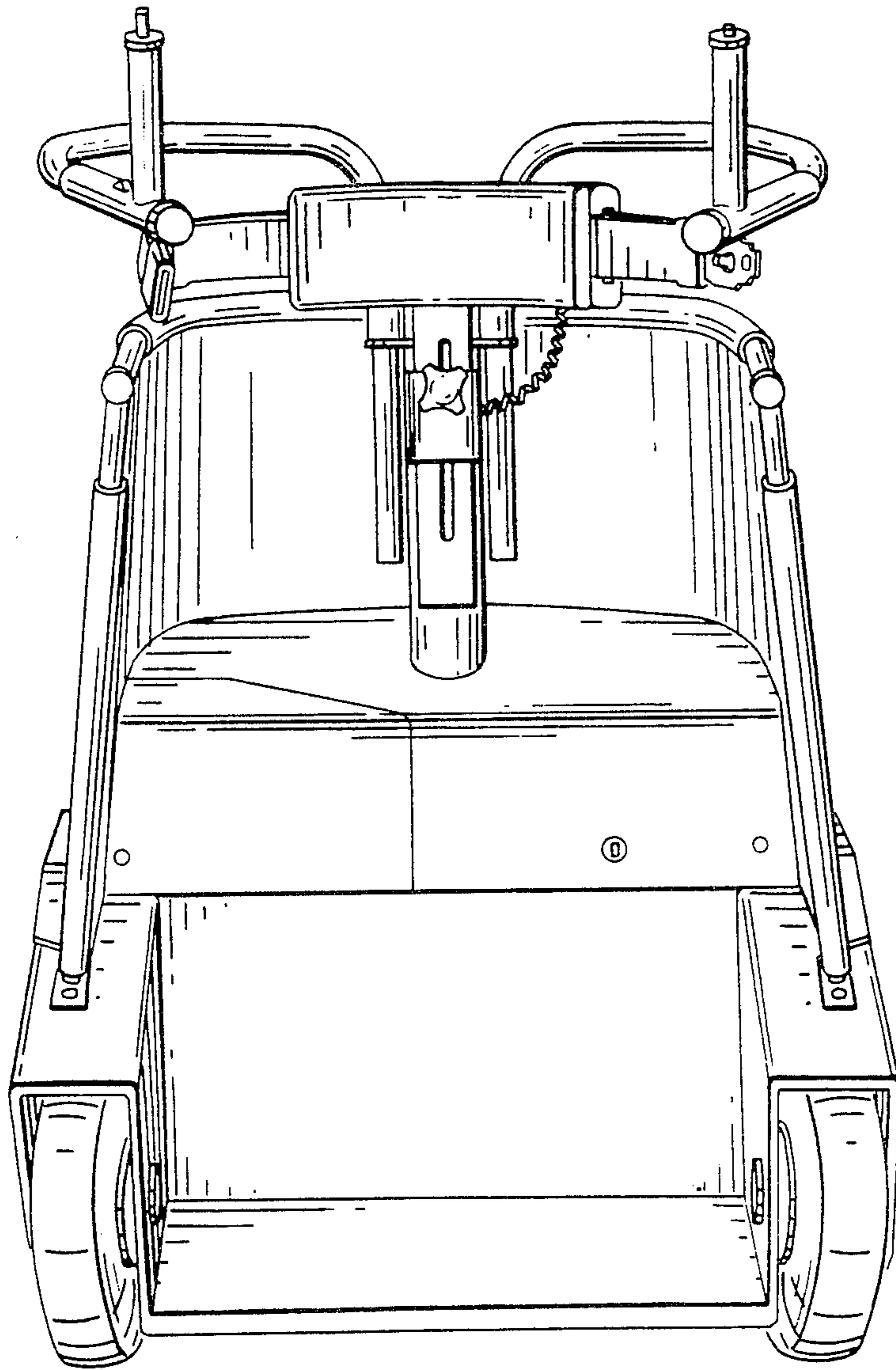


Fig. 4.

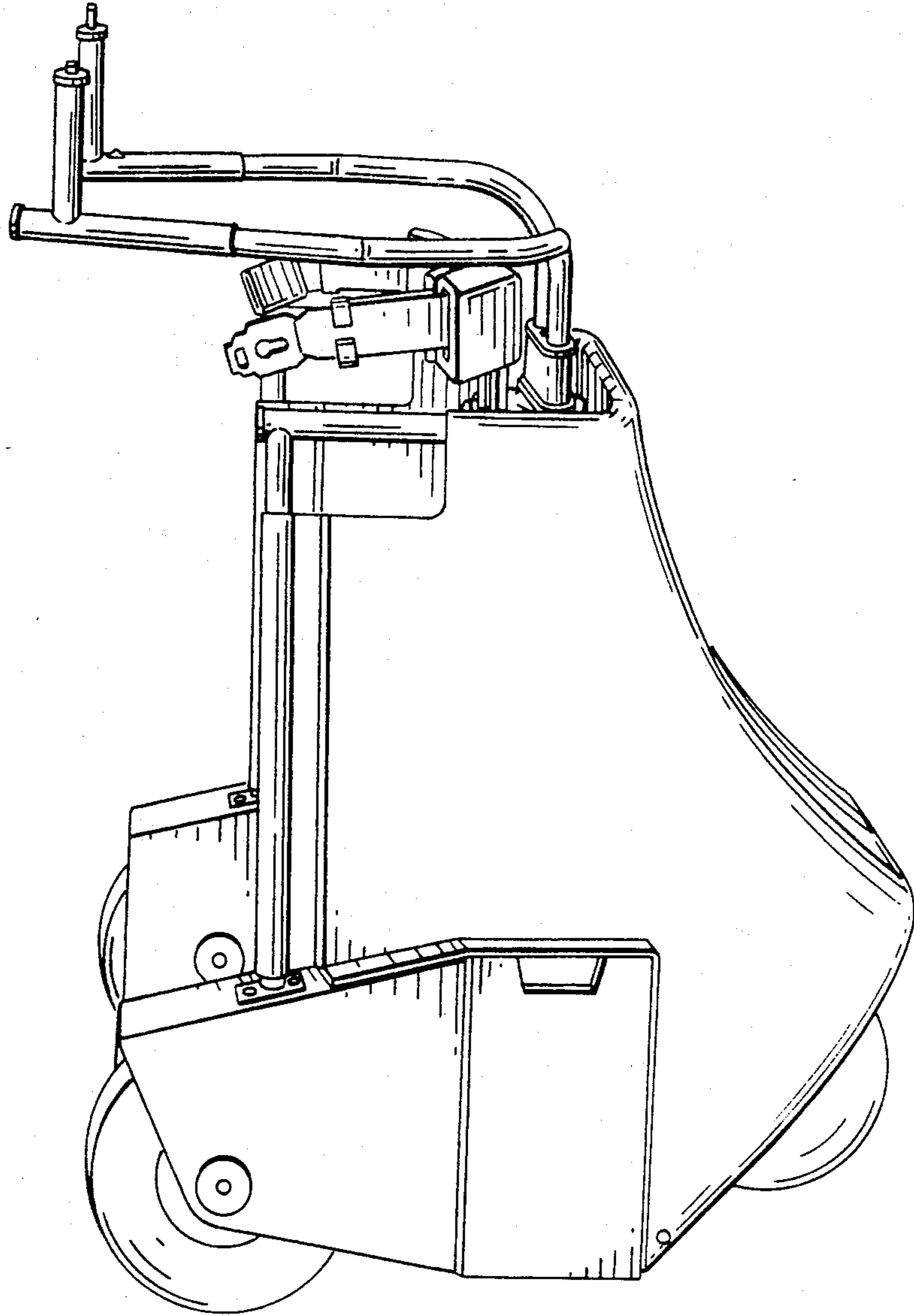


Fig. 5.

