

[54] RACING BICYCLE STAND

[76] Inventor: Joel T. Shedden, P.O. Box 628, Lake Elsinore, Calif. 92330

[**] Term: 14 Years

[21] Appl. No.: 494,719

[22] Filed: May 16, 1983

[52] U.S. Cl. D12/115

[58] Field of Search D12/115; 211/22

[56] References Cited

U.S. PATENT DOCUMENTS

3,675,784 7/1972 John 211/22

OTHER PUBLICATIONS

Bikeology Summer 1981 Catalog, p. 35, 360, Cycle Vise Service Stand, bottom center of page.

Bike Nashbar Winter 1982 Catalog, p. 31, Minoura Work Stand, second box down from top left side of page.

Palo Alto 1981/82 Bicycle Catalog, p. 23, Repair Stand, top of page.

Primary Examiner—James M. Gandy
Attorney, Agent, or Firm—John H. Crowe

[57] CLAIM

The ornamental design for a racing bicycle stand, substantially as shown and described.

DESCRIPTION

FIG. 1 is a side elevational view of a first embodiment of a racing bicycle stand showing my new design.

FIG. 2 is a front elevational view thereof.

FIG. 3 is a right side elevational view of FIG. 2.

FIG. 4 is a bottom plan view of FIG. 1.

FIG. 5 is a top plan view of FIG. 3.

FIG. 6 is a rear elevational view thereof.

FIG. 7 is a side elevational view of a second embodiment of the racing bicycle stand.

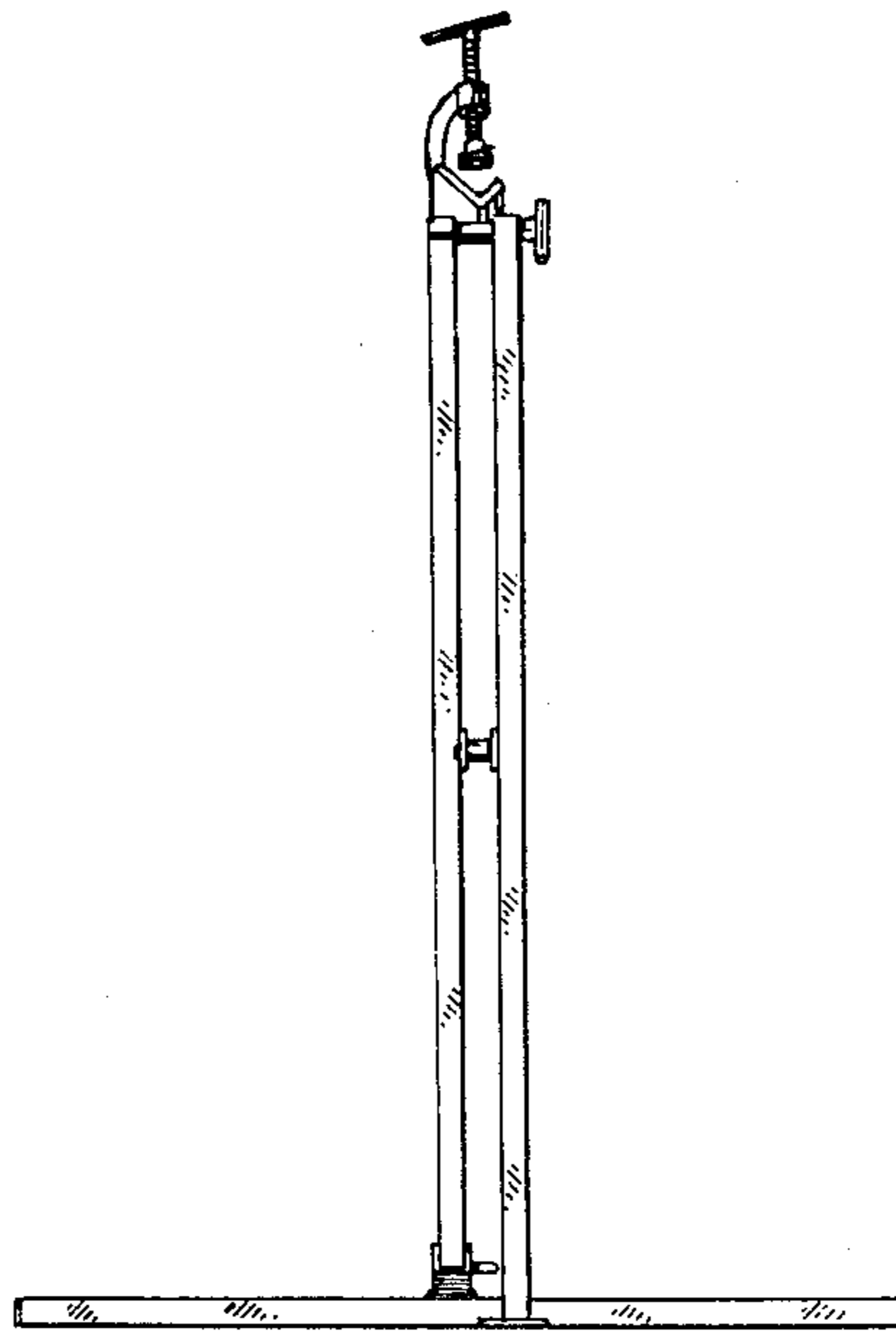
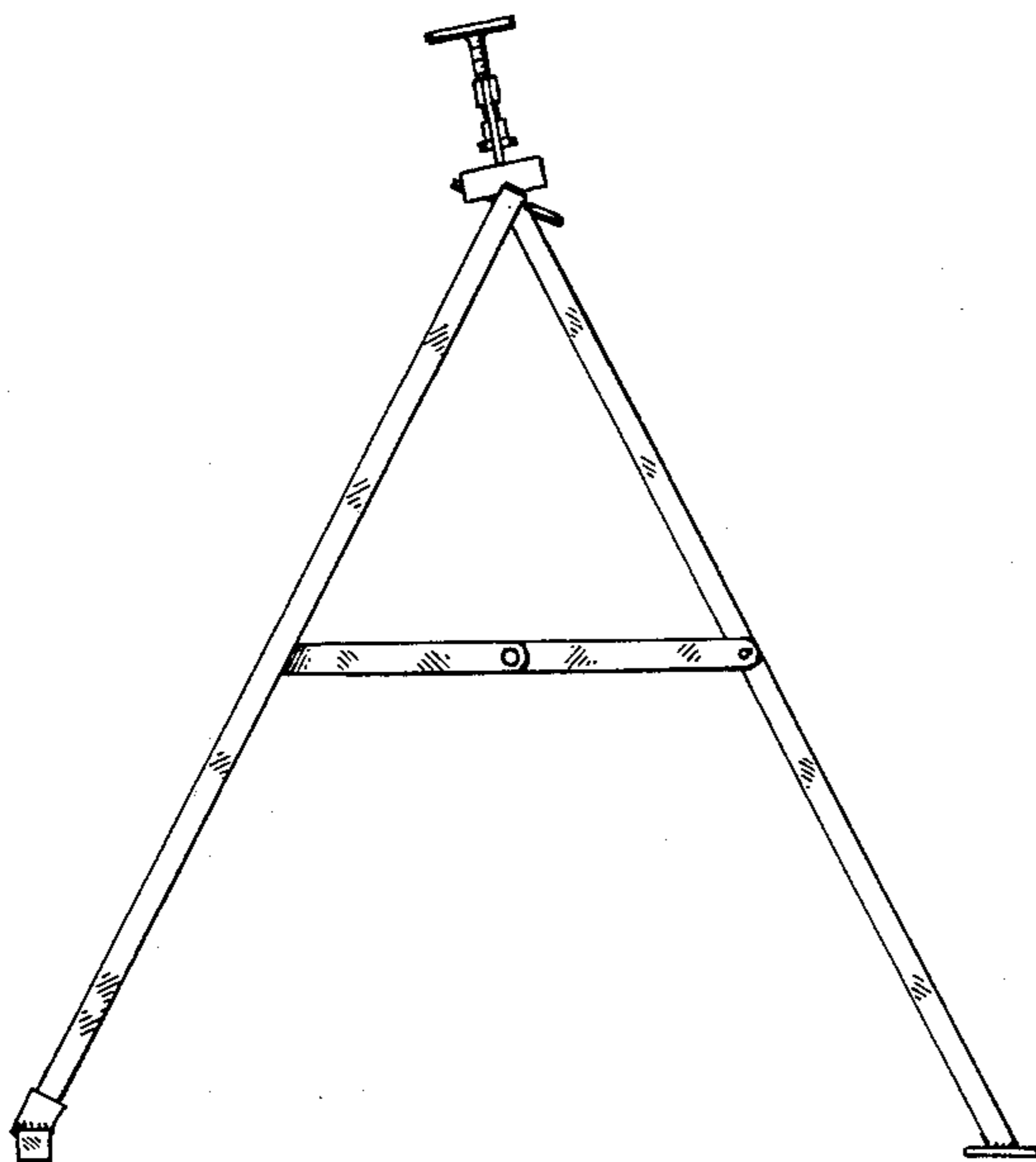
FIG. 8 is a front elevational view of said second embodiment.

FIG. 9 is a right side elevational view of FIG. 8.

FIG. 10 is a bottom plan view of FIG. 7.

FIG. 11 is a top plan view of FIG. 9.

FIG. 12 is a rear elevational view of said second embodiment.



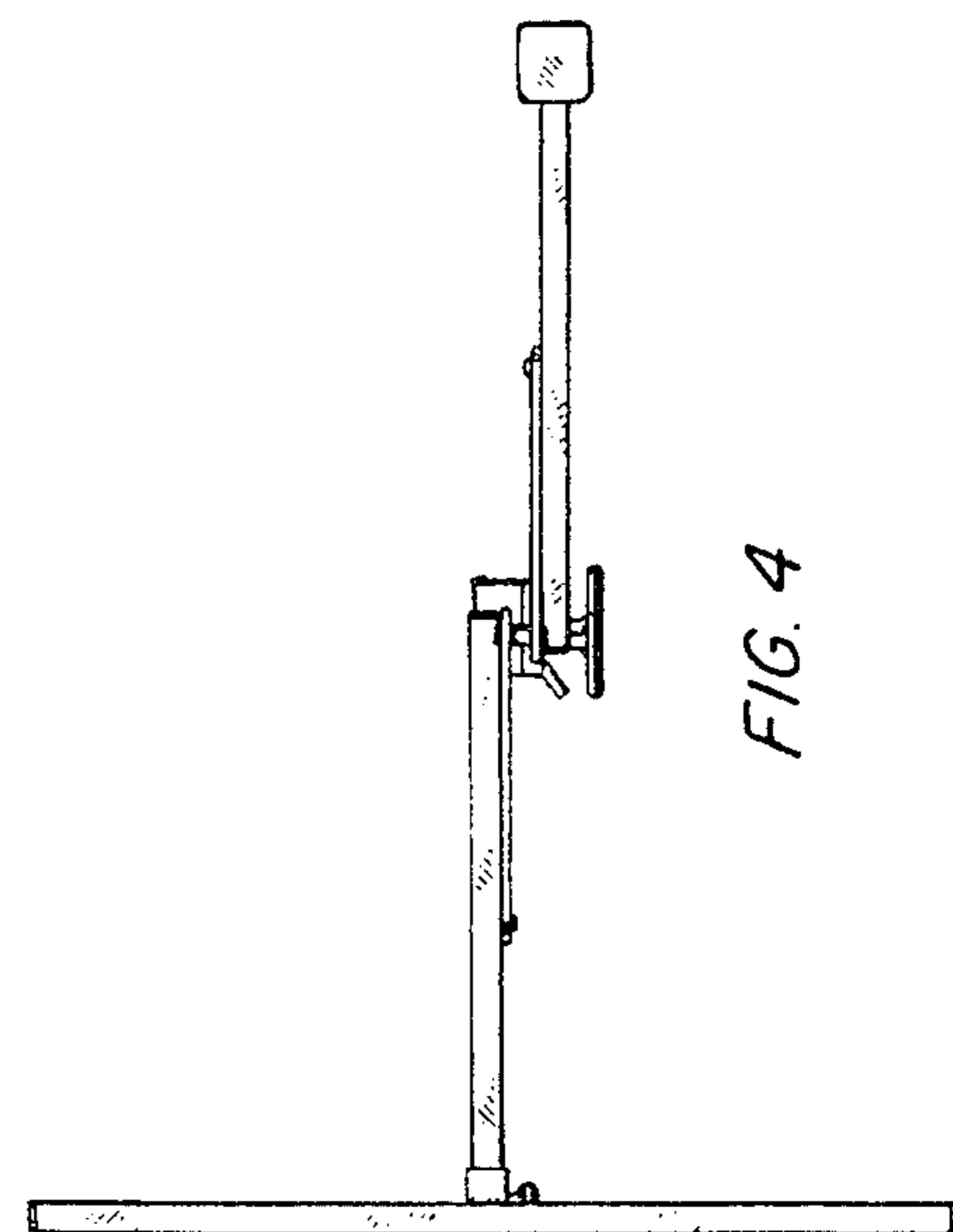
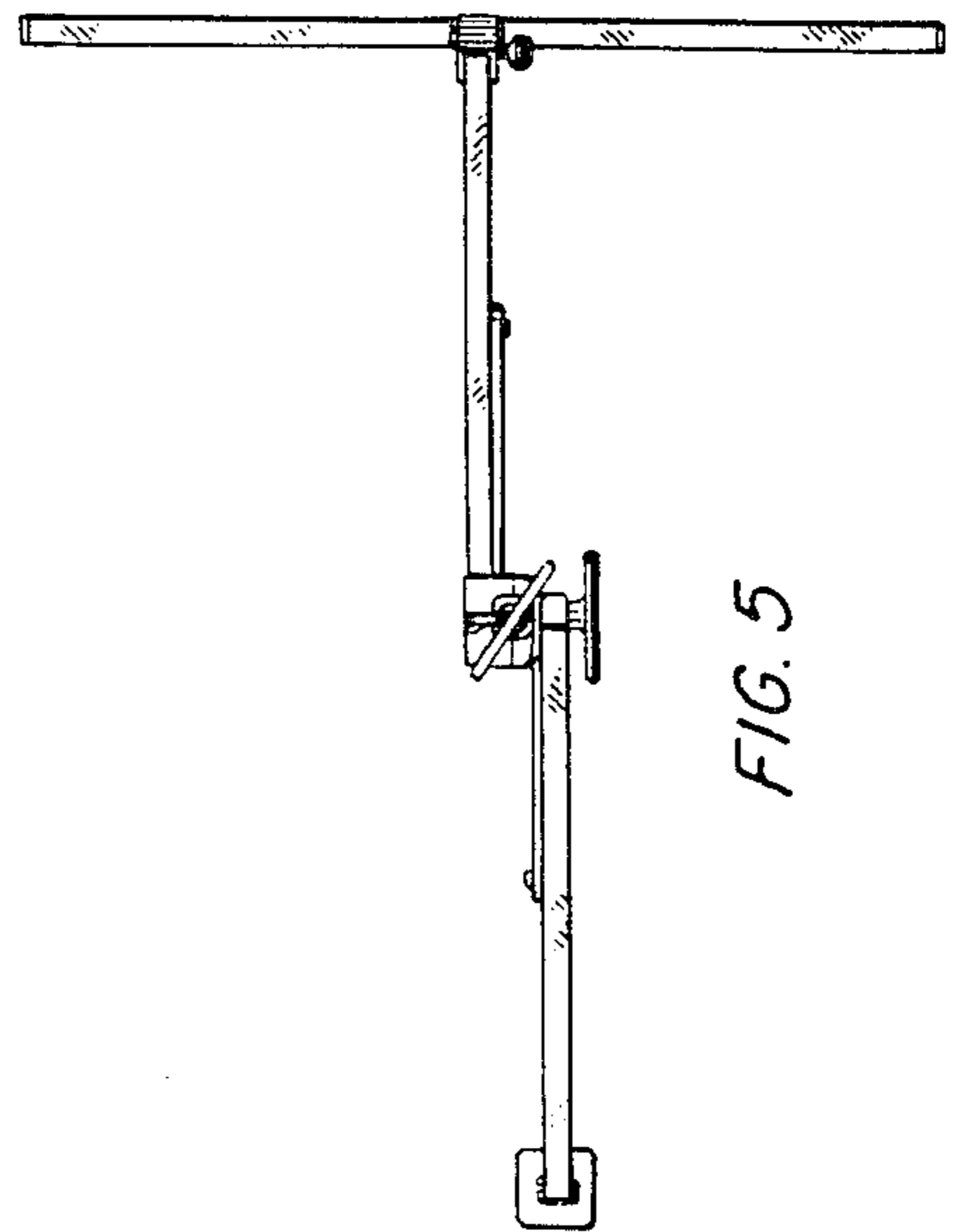
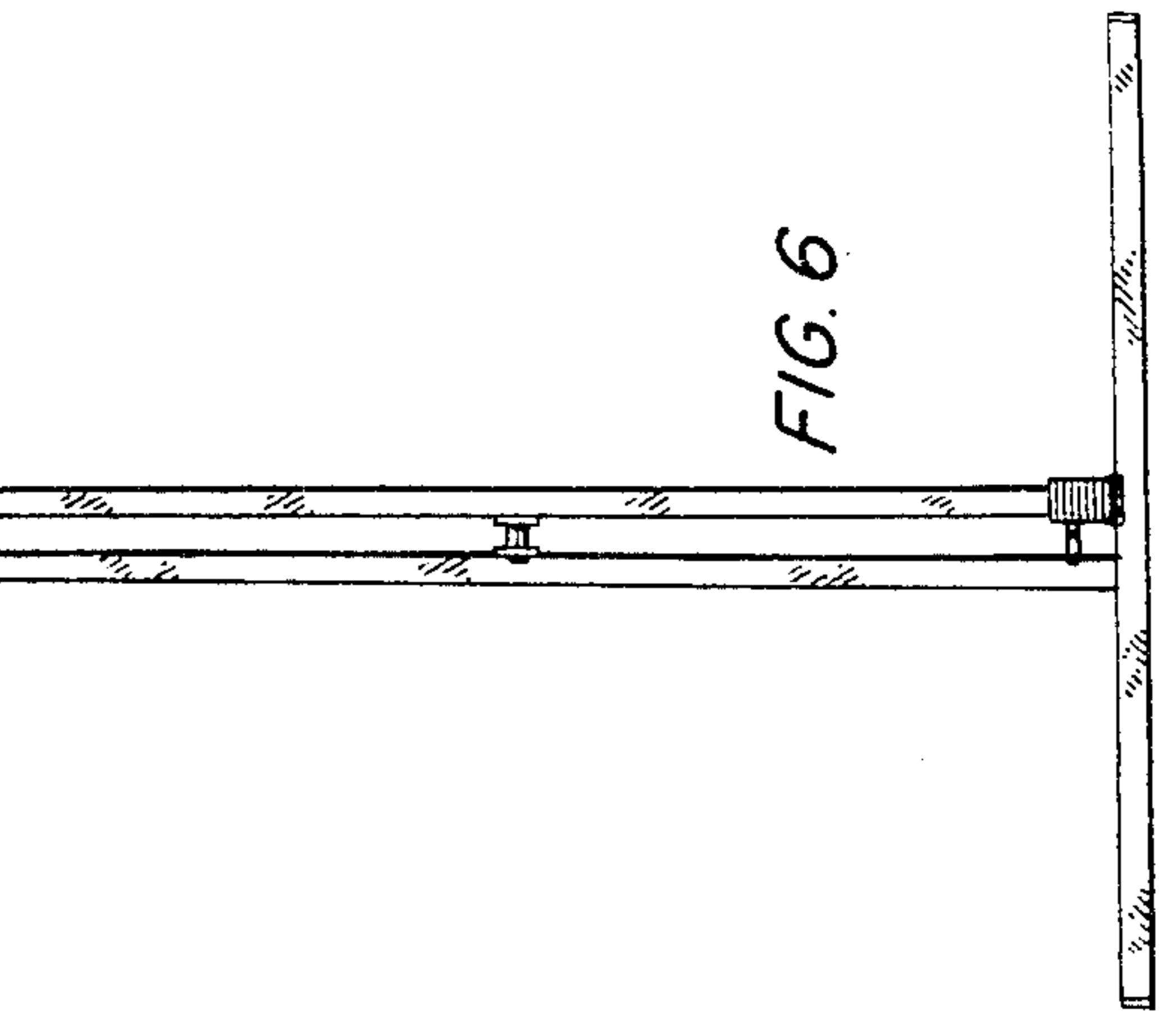
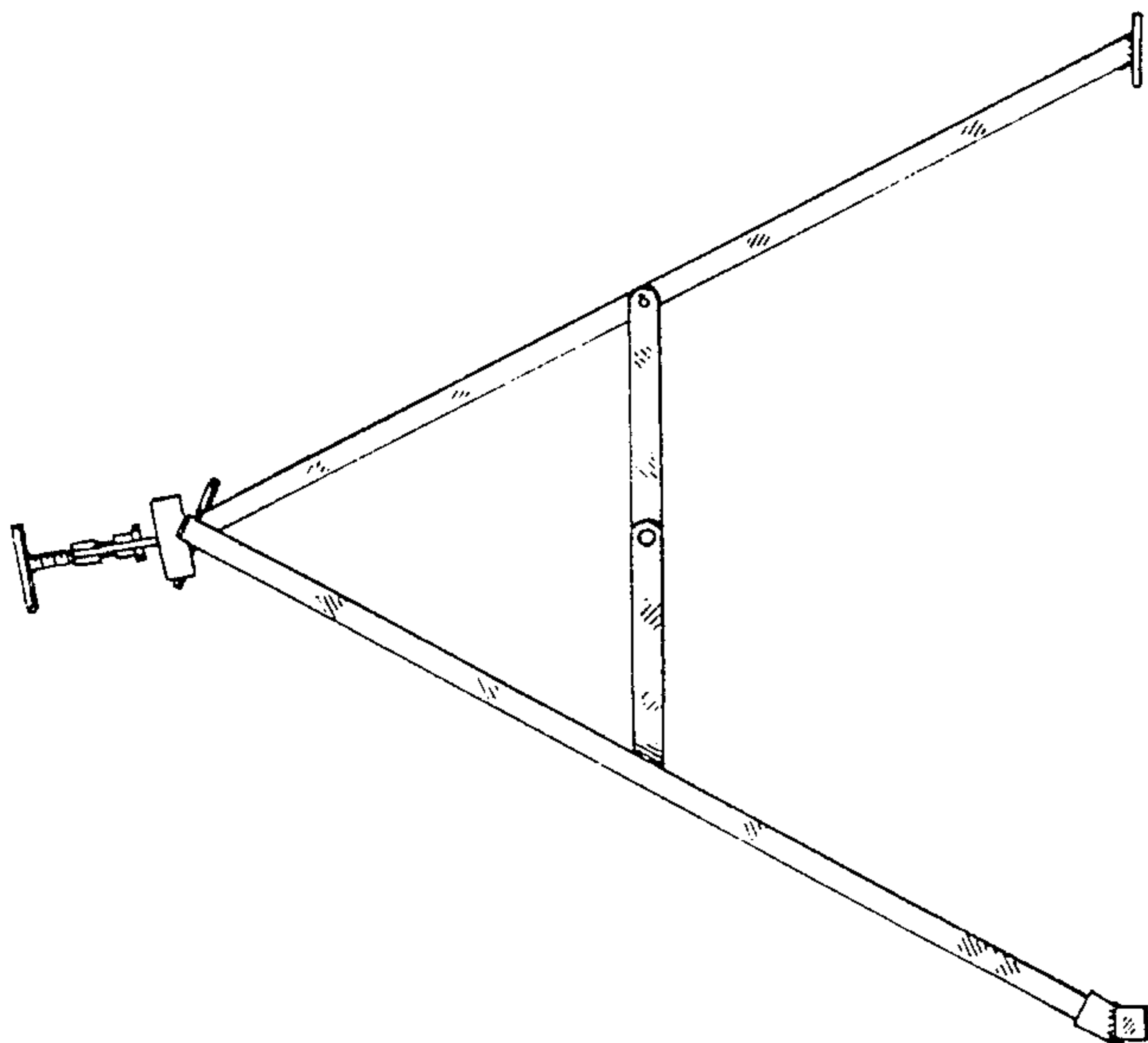
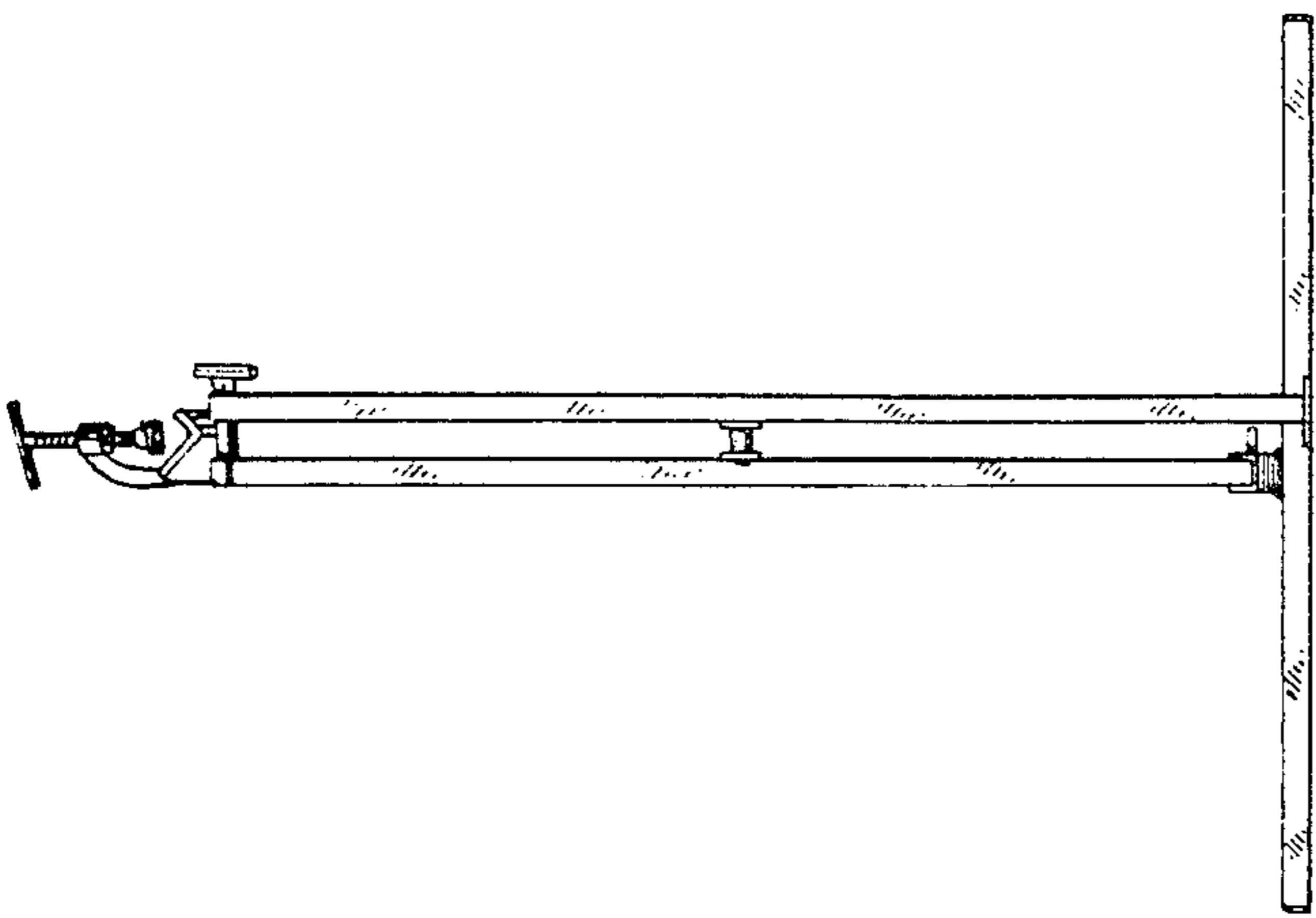
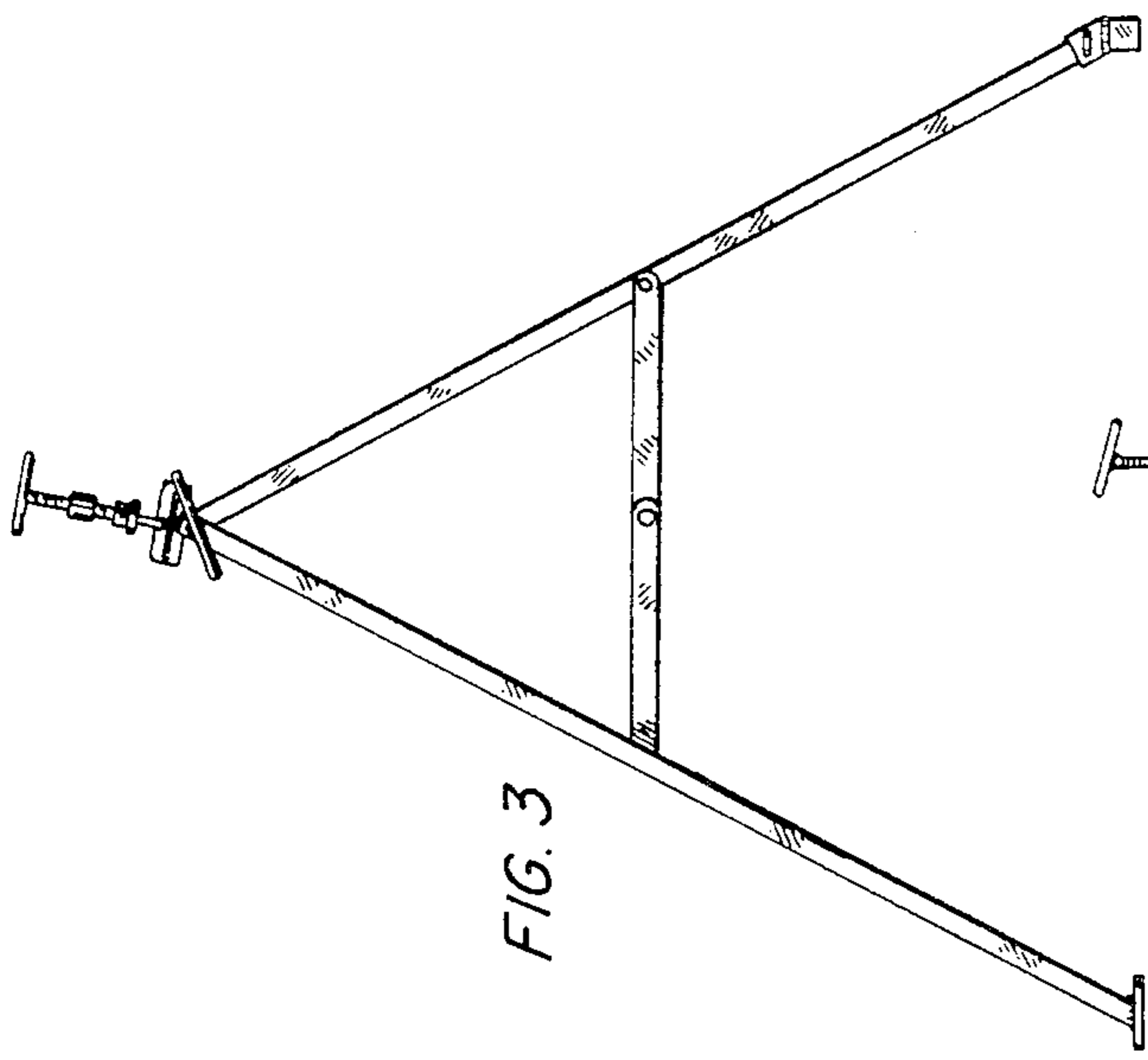


FIG. 1

FIG. 2

FIG. 3

FIG. 5

FIG. 4

FIG. 6

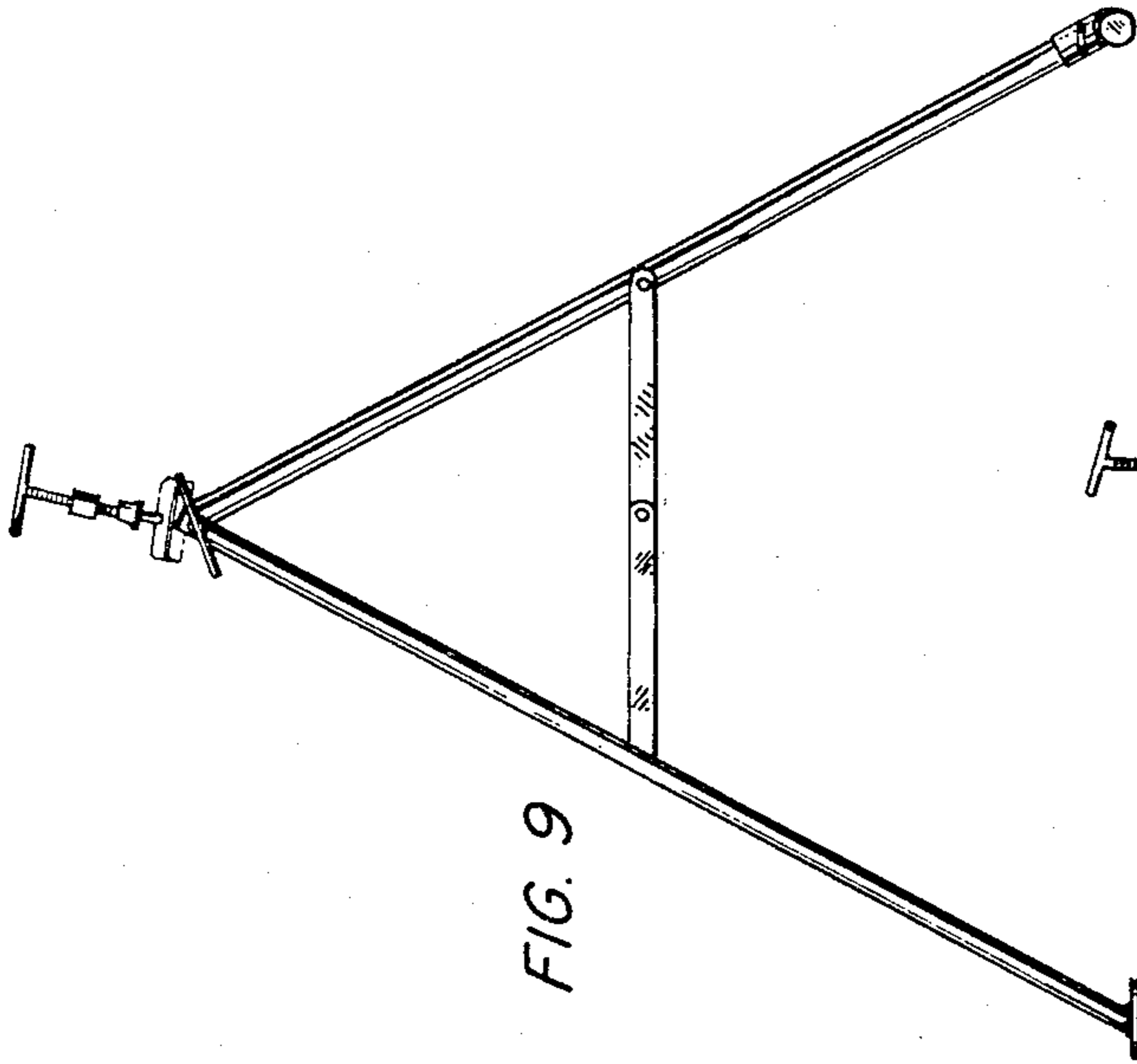


FIG. 9

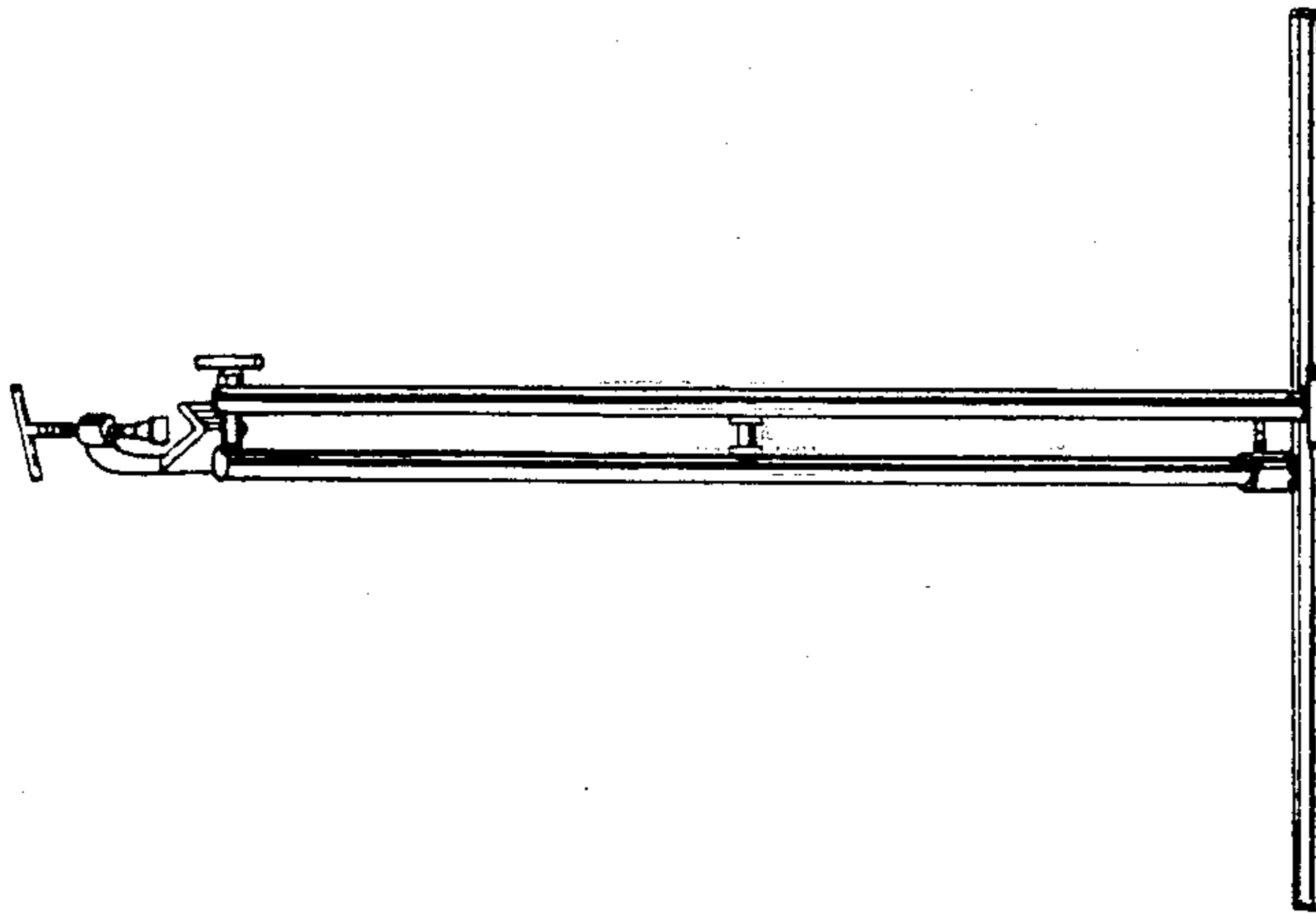


FIG. 8

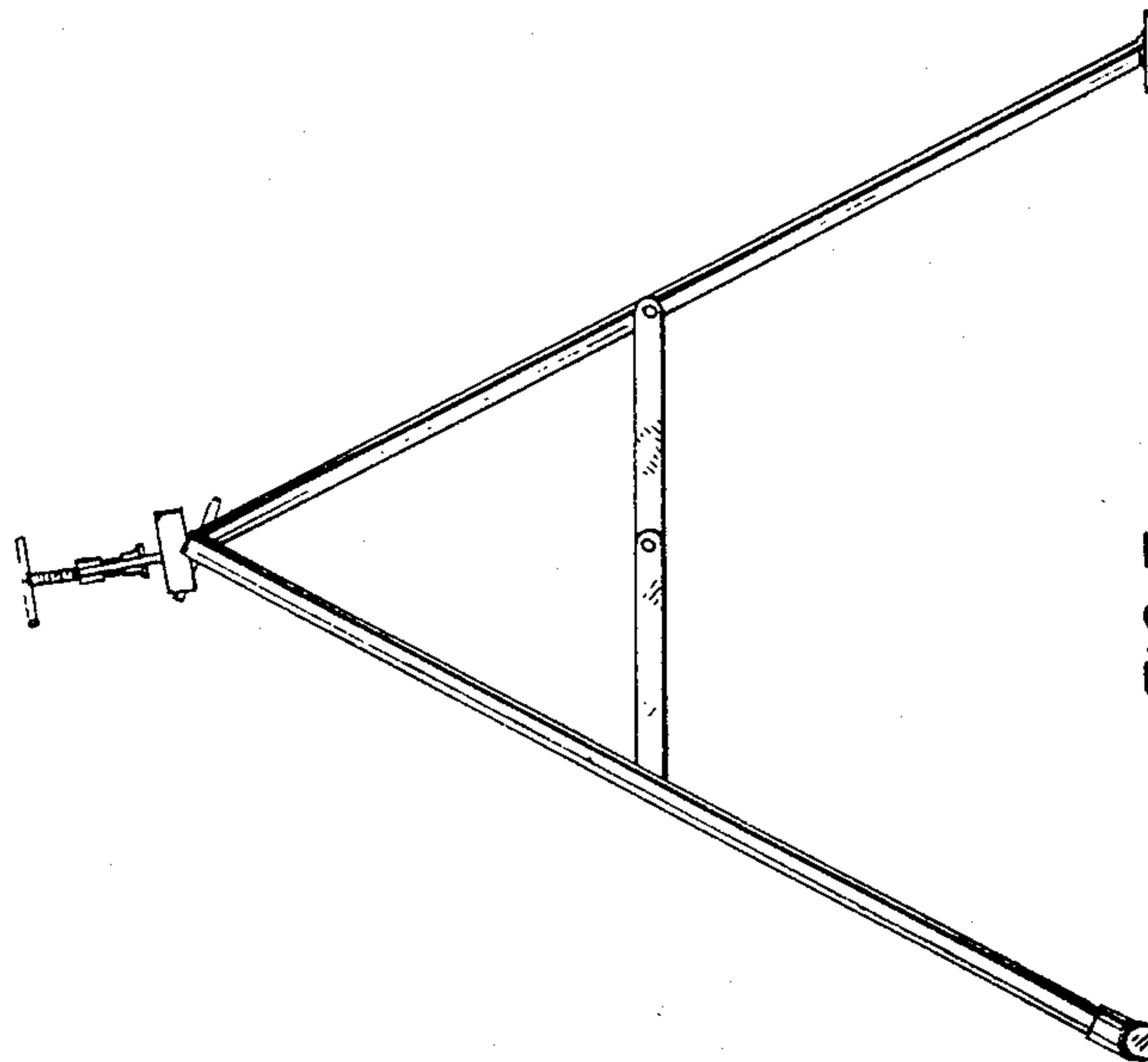


FIG. 7

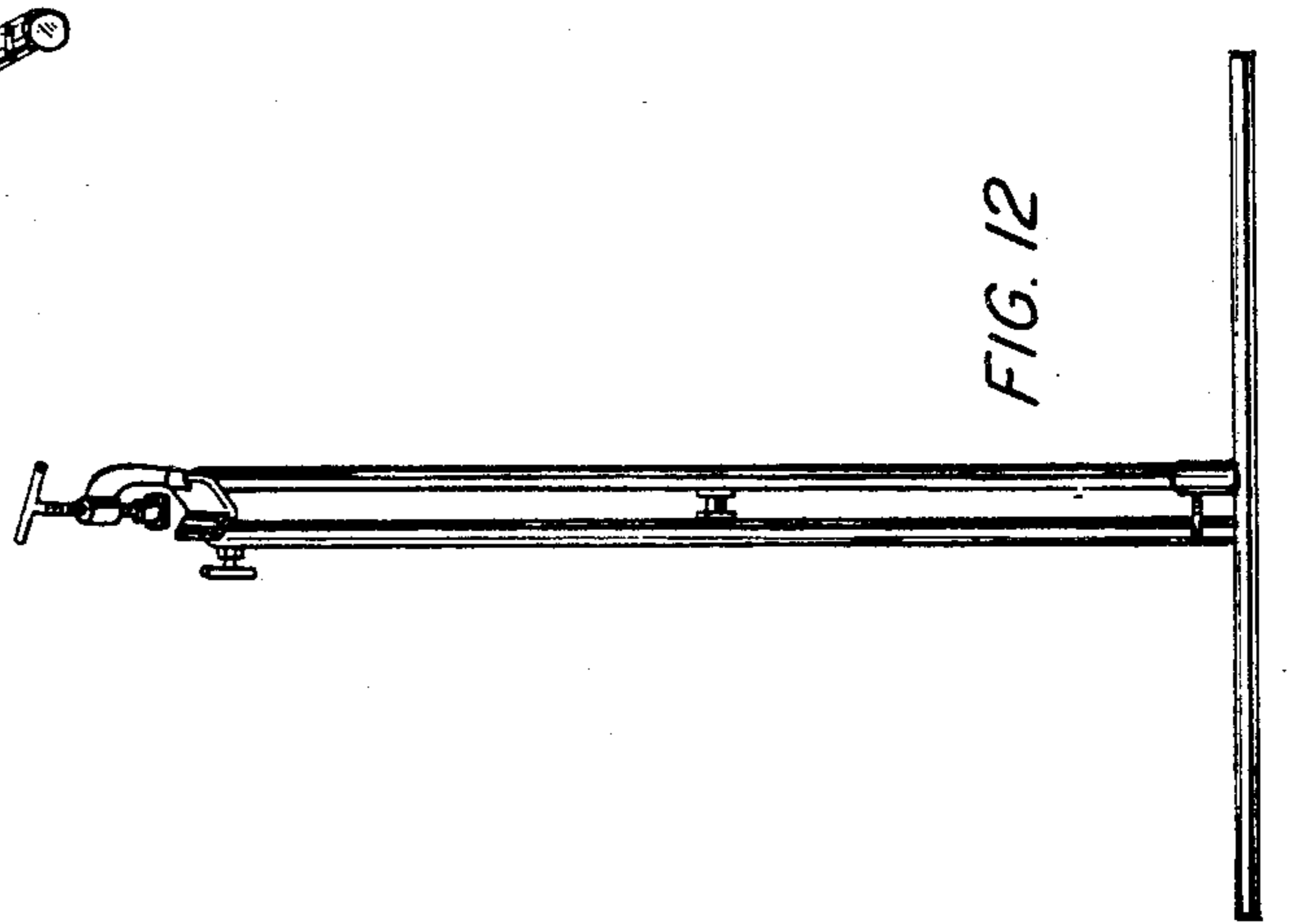


FIG. 12

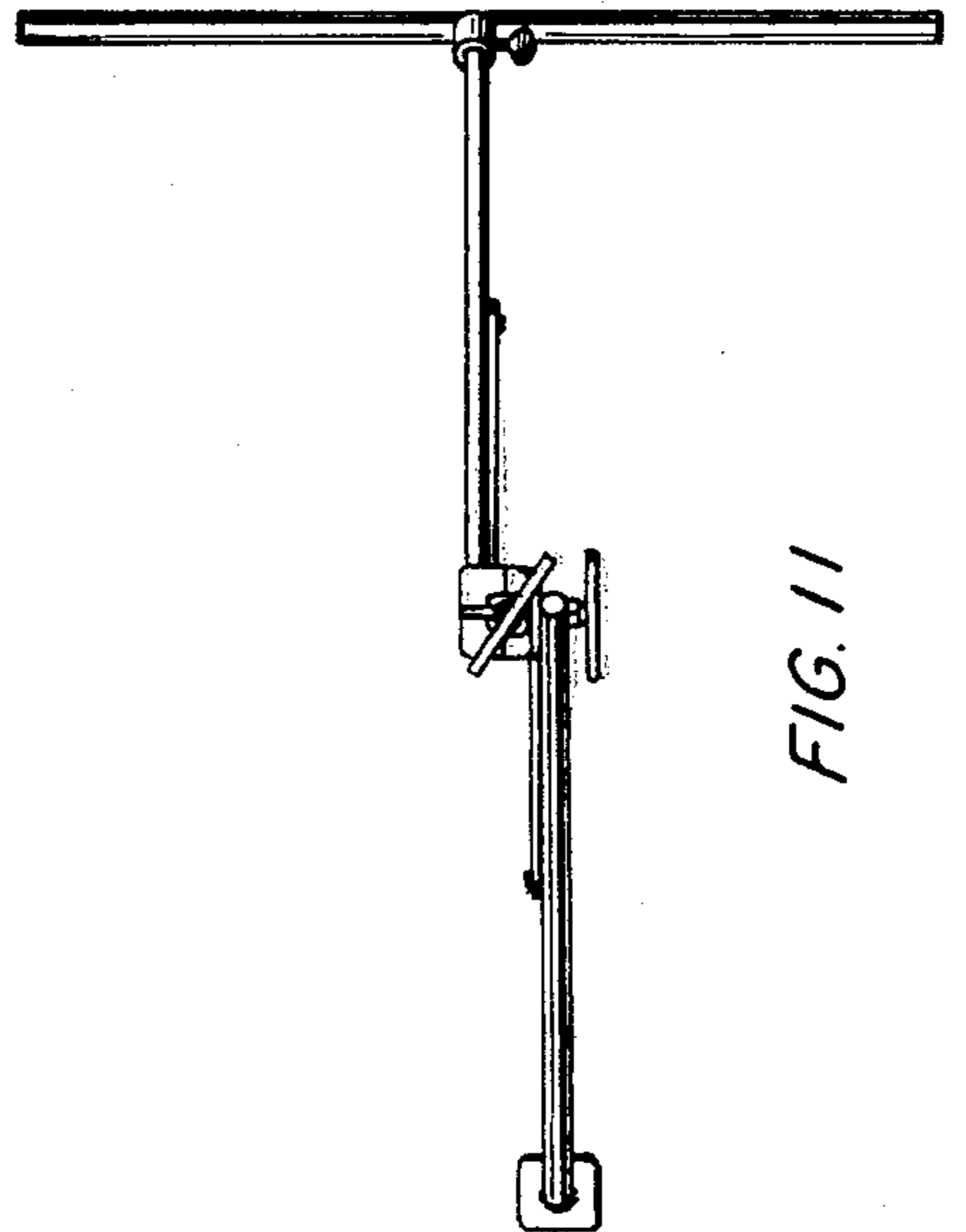


FIG. 11

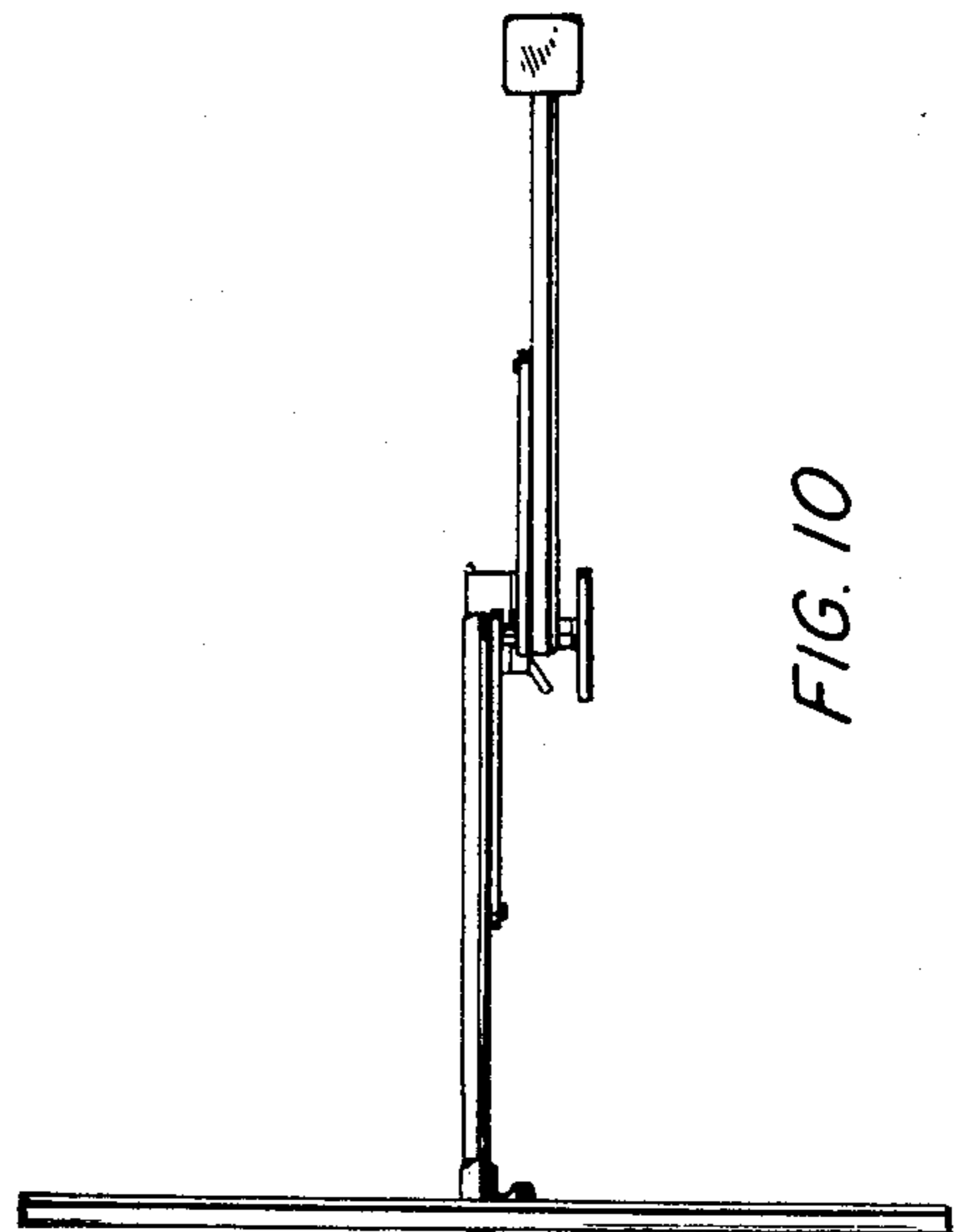


FIG. 10