

[54] TOY TRICYCLE

[75] Inventor: Chong Wing-Fong, Hong Kong, Hong Kong

[73] Assignee: Playmates Holdings Limited, Hong Kong, Hong Kong

[**] Term: 14 Years

[21] Appl. No.: 475,150

[22] Filed: Mar. 14, 1983

[30] Foreign Application Priority Data

Oct. 7, 1982 [GB] United Kingdom 1009130

[52] U.S. Cl. D12/112

[58] Field of Search D12/112, 113; D21/80, D21/76, 78; 280/87.01, 87.02, 1.1 R, 1.11 R, 62

[56] References Cited

U.S. PATENT DOCUMENTS

D. 48,957	4/1916	White	D21/80
D. 50,882	6/1917	Case	D12/112
D. 140,186	1/1945	Wheeler	D21/78
D. 150,732	8/1948	Schilling	D21/80
2,479,538	8/1949	Liljenberg	D21/112

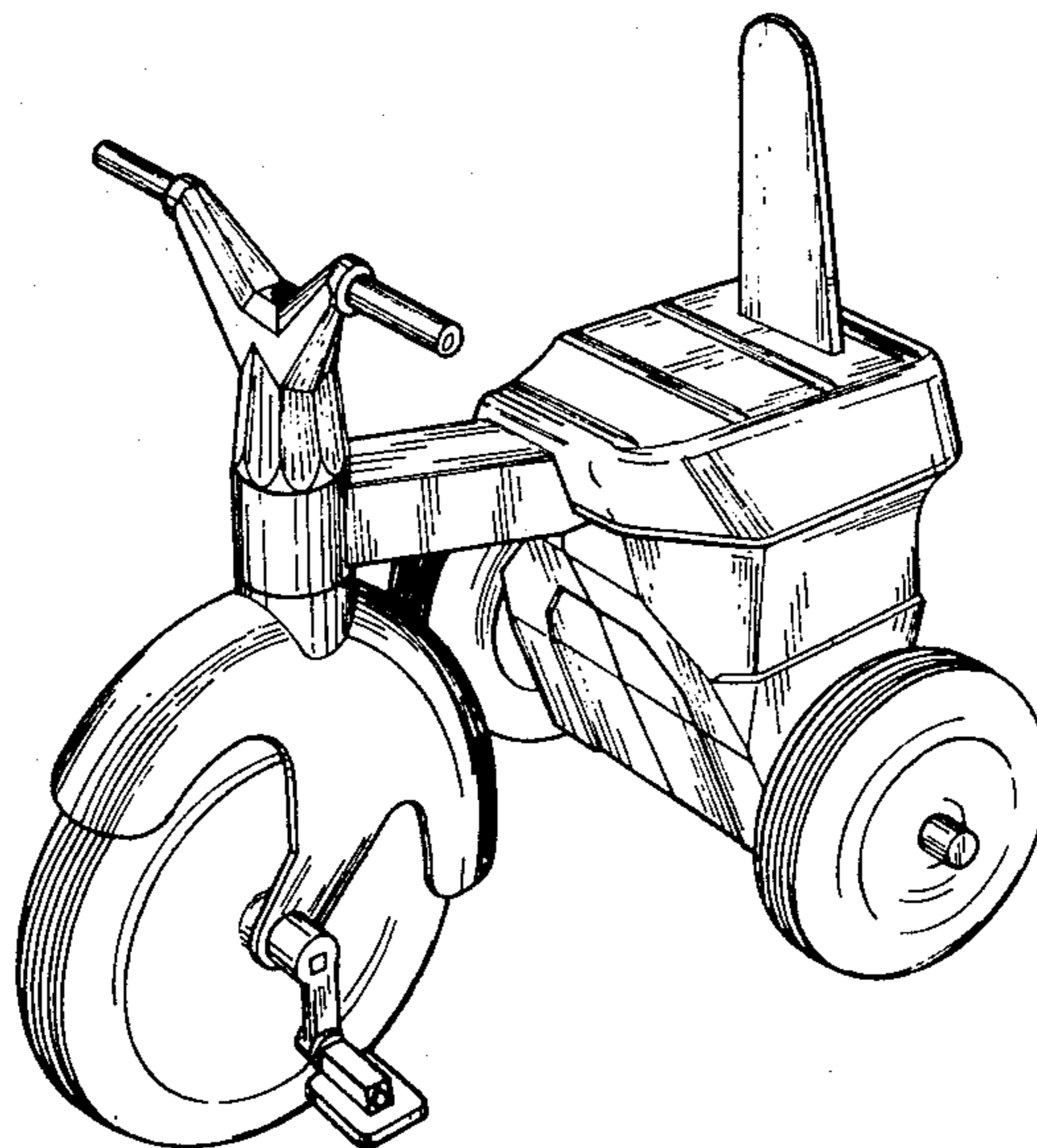
Primary Examiner—Charles A. Rademaker
Attorney, Agent, or Firm—Laff, Whitesel, Conte & Saret

[57] CLAIM

The ornamental design for a toy tricycle, as shown and described.

DESCRIPTION

FIG. 1 is a perspective view of a toy tricycle showing my new design;
FIG. 2 is a right side elevational view thereof, the side opposite being a mirror image;
FIG. 3 is a front elevational view thereof;
FIG. 4 is a rear elevational view thereof; and,
FIG. 5 is a top plan view thereof.



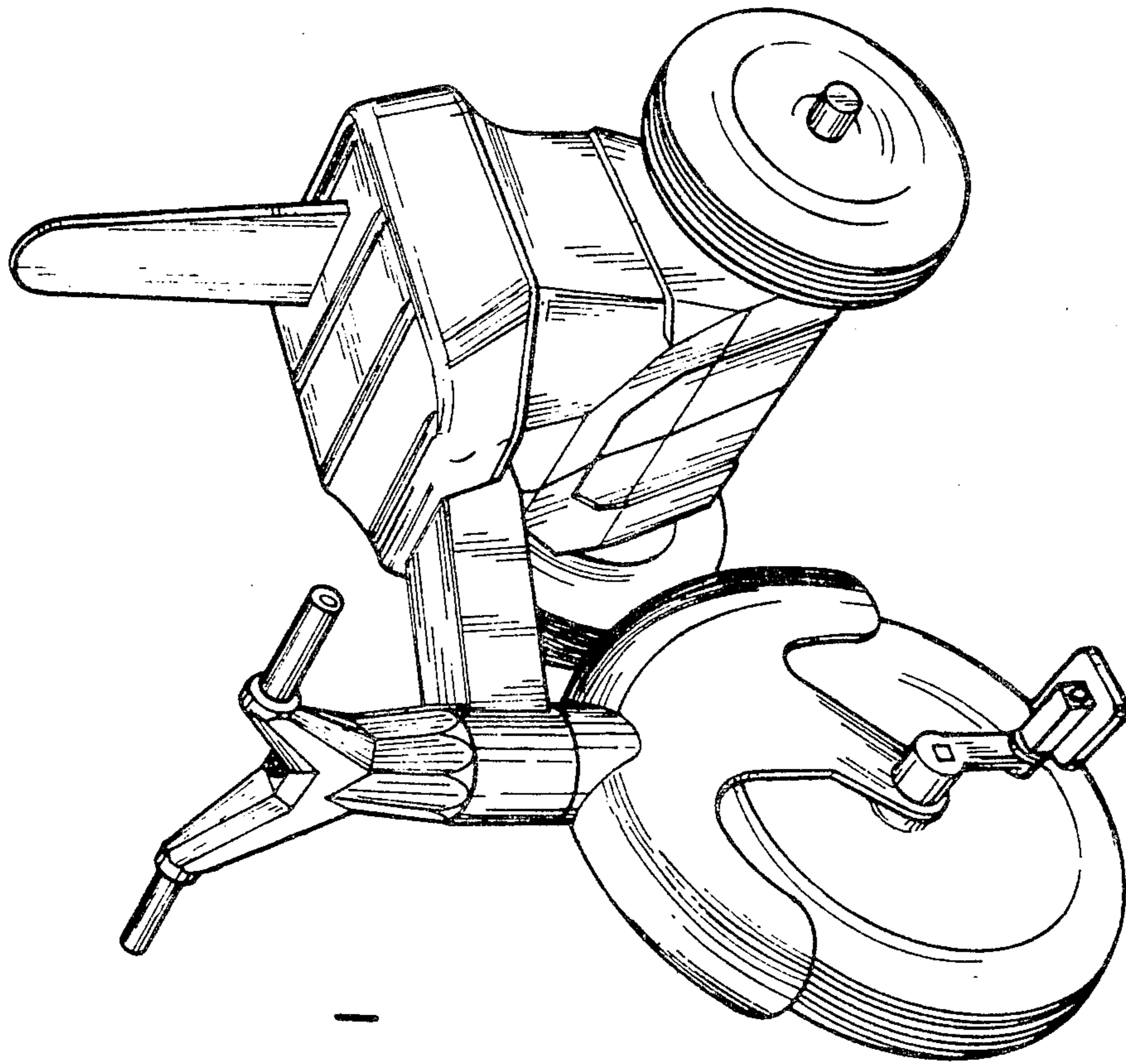


FIG. 1

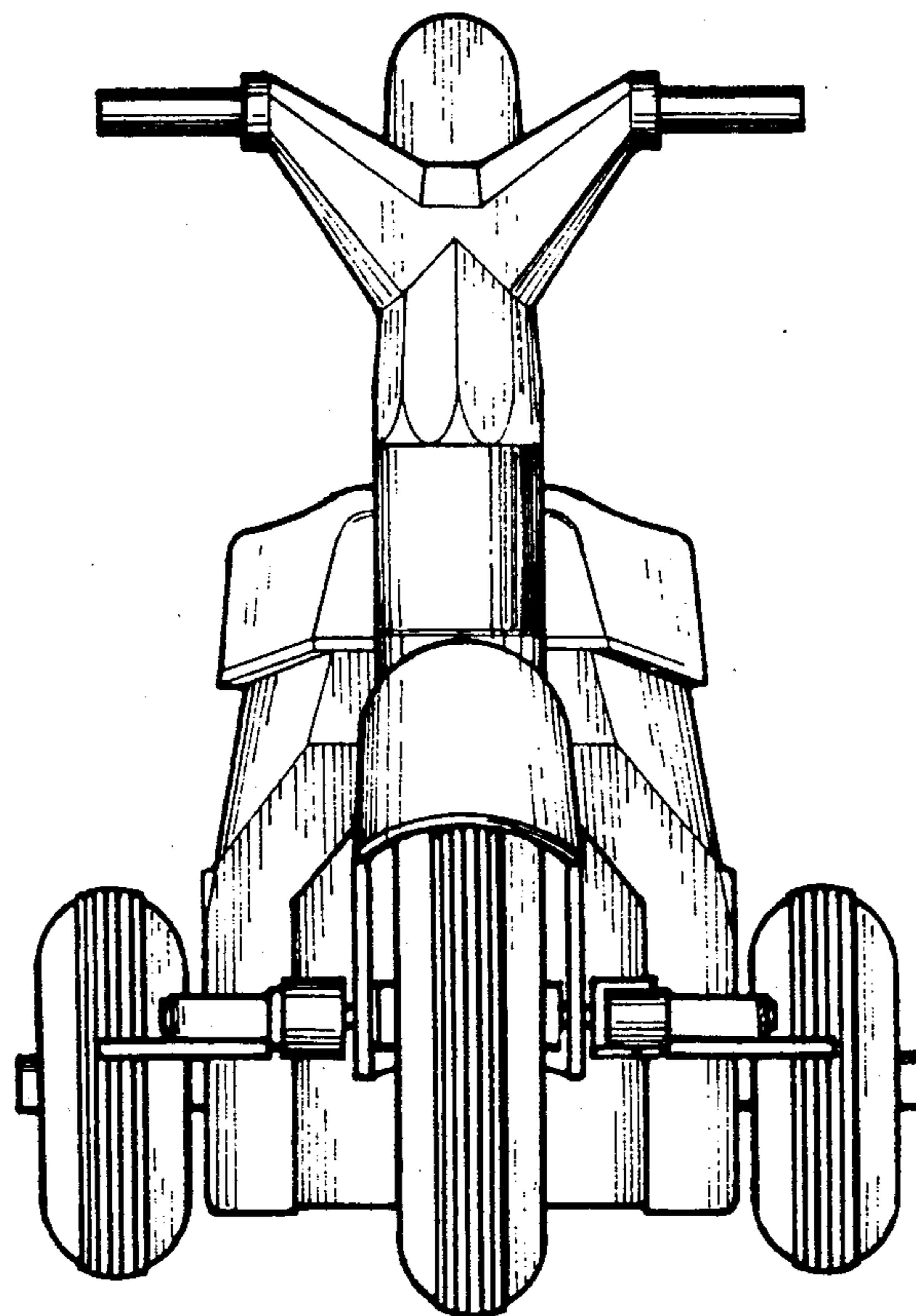
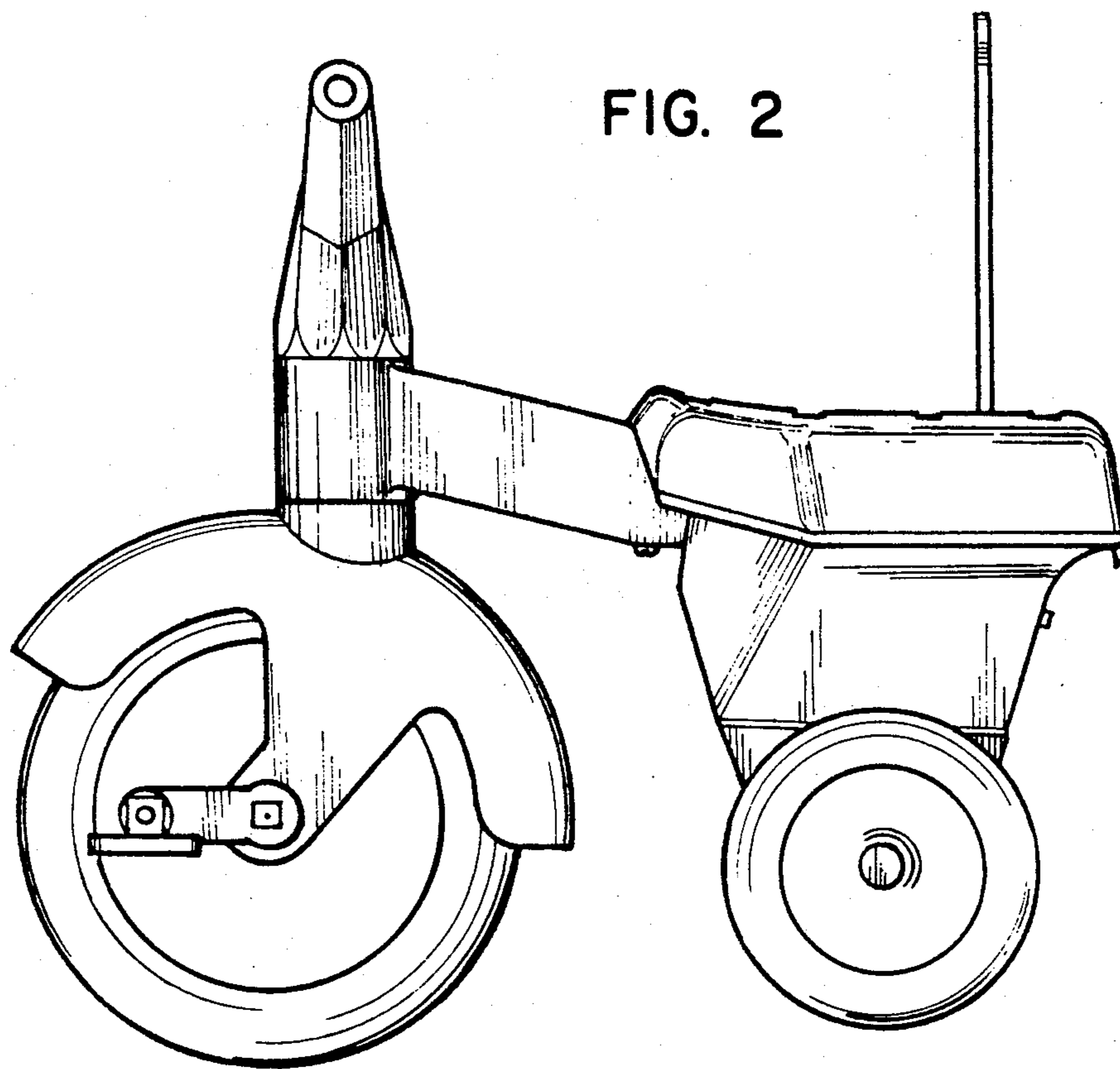


FIG. 3

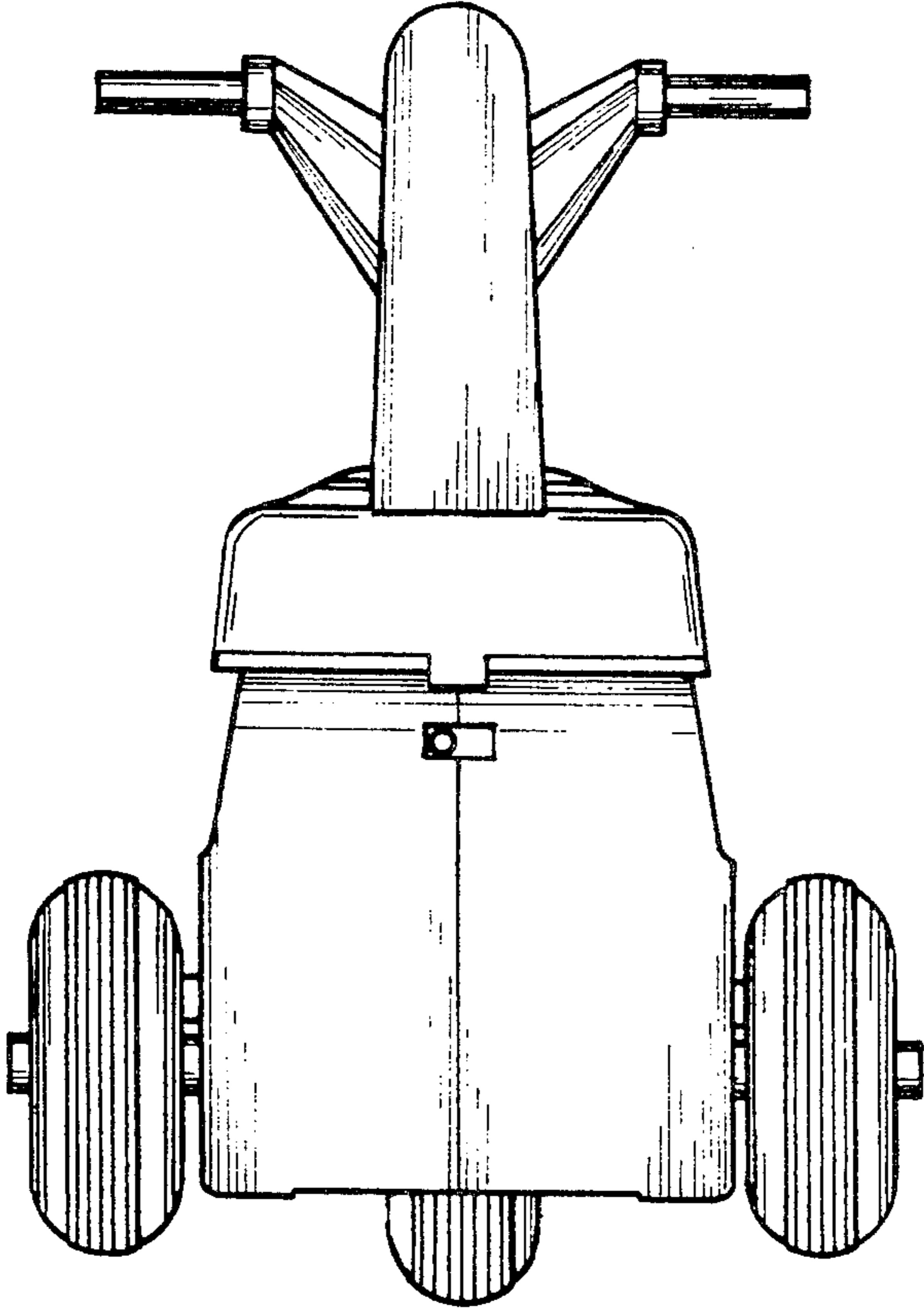


FIG. 4

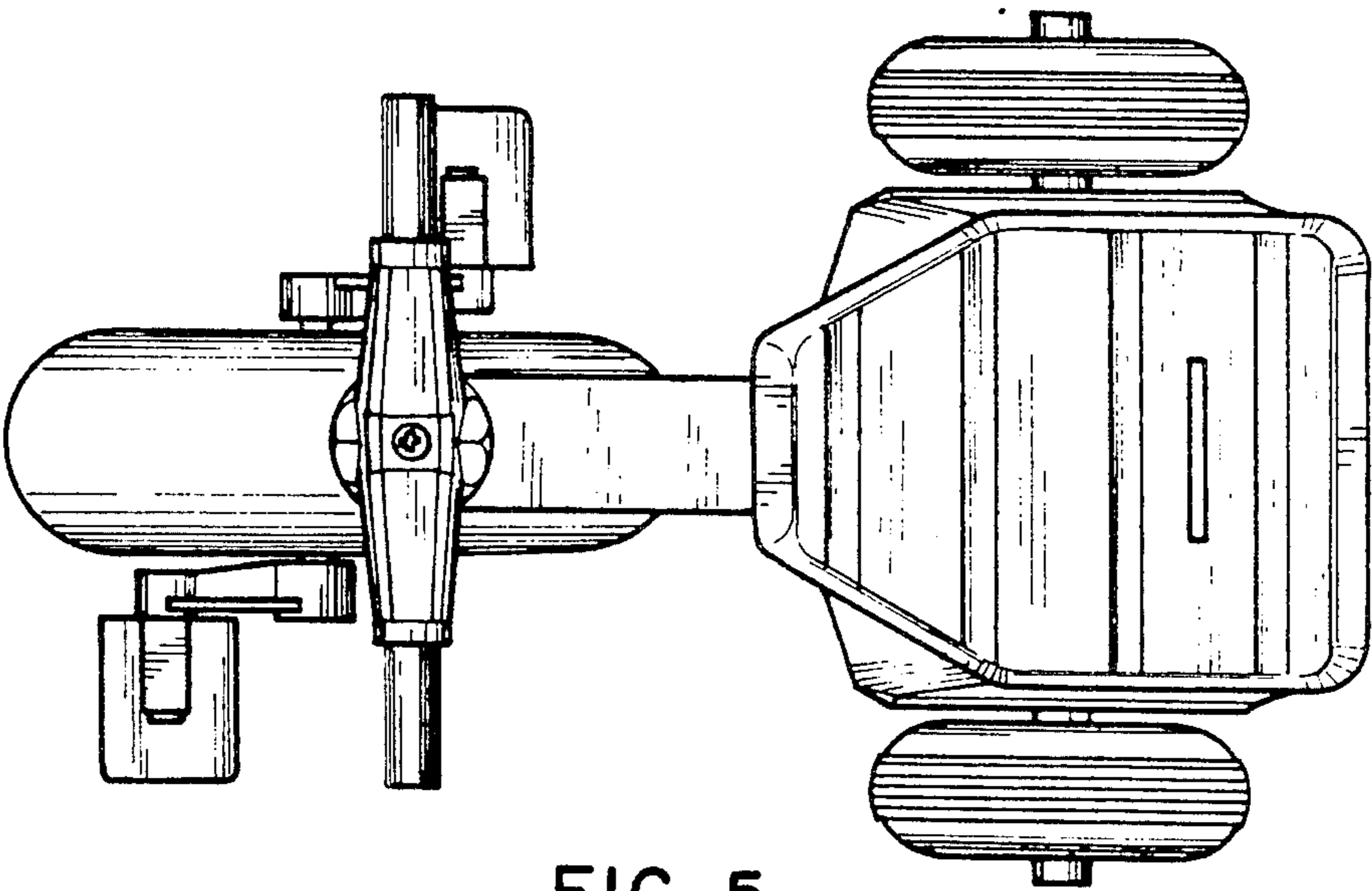


FIG. 5