

[54] **ROTATABLE PLANTER SUPPORT UNIT**

[76] **Inventor: Michael W. O'Connor, 25518 3rd St., Barstow, Calif. 92311**

[\*\*] **Term: 14 Years**

[21] **Appl. No.: 460,129**

[22] **Filed: Jan. 21, 1983**

[52] **U.S. Cl. .... D11/156; D6/405; D11/143**

[58] **Field of Search ..... D11/143, 156; 211/131, 211/164; 47/66, 65; D6/403-405**

[56] **References Cited**

**U.S. PATENT DOCUMENTS**

D. 223,677	5/1972	Wienert	.....	D11/156
D. 258,206	2/1981	Bourke	.	
1,552,290	9/1925	Fowler	.....	211/131
1,830,373	11/1931	Schmidt	.	
2,646,891	7/1953	Morgan	.....	211/131

3,784,024 1/1974 Kristy .  
3,998,007 12/1976 Martin .  
4,085,544 4/1978 Blake .

**FOREIGN PATENT DOCUMENTS**

0317196 8/1929 United Kingdom ..... 211/164

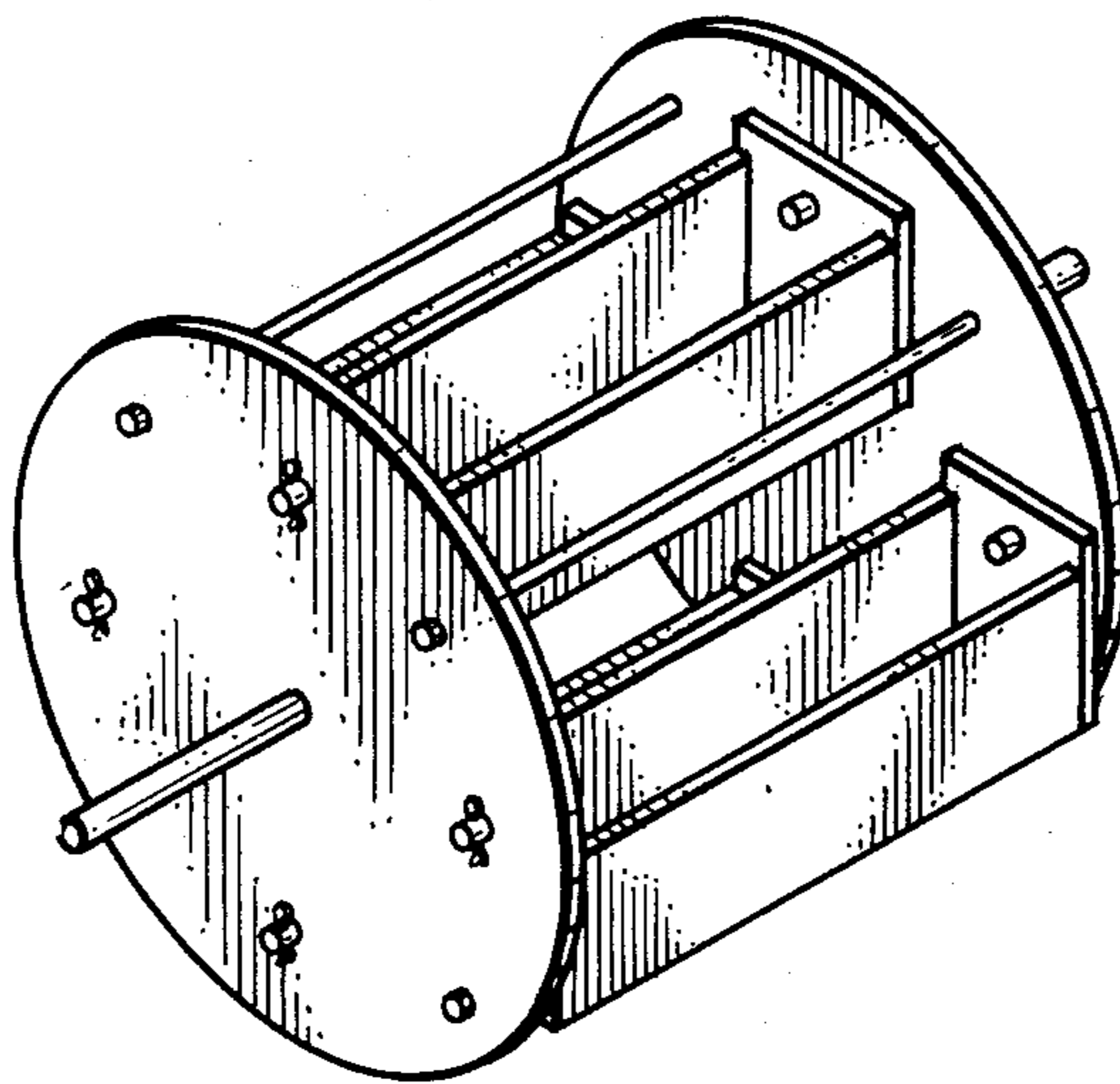
*Primary Examiner*—B. J. Bullock  
*Attorney, Agent, or Firm*—Jack C. Munro

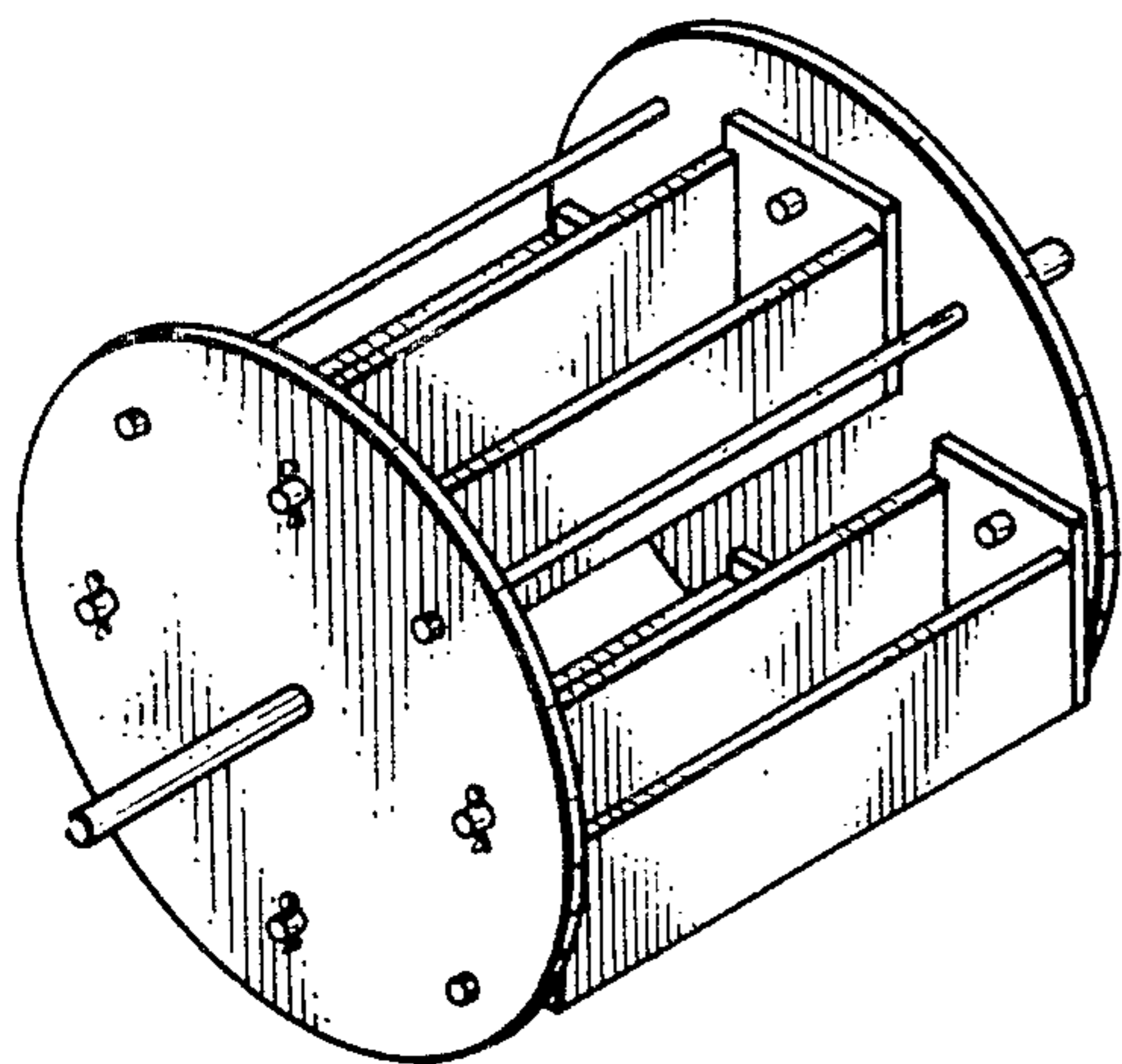
[57] **CLAIM**

The ornamental design for a rotatable planter support unit, substantially as shown.

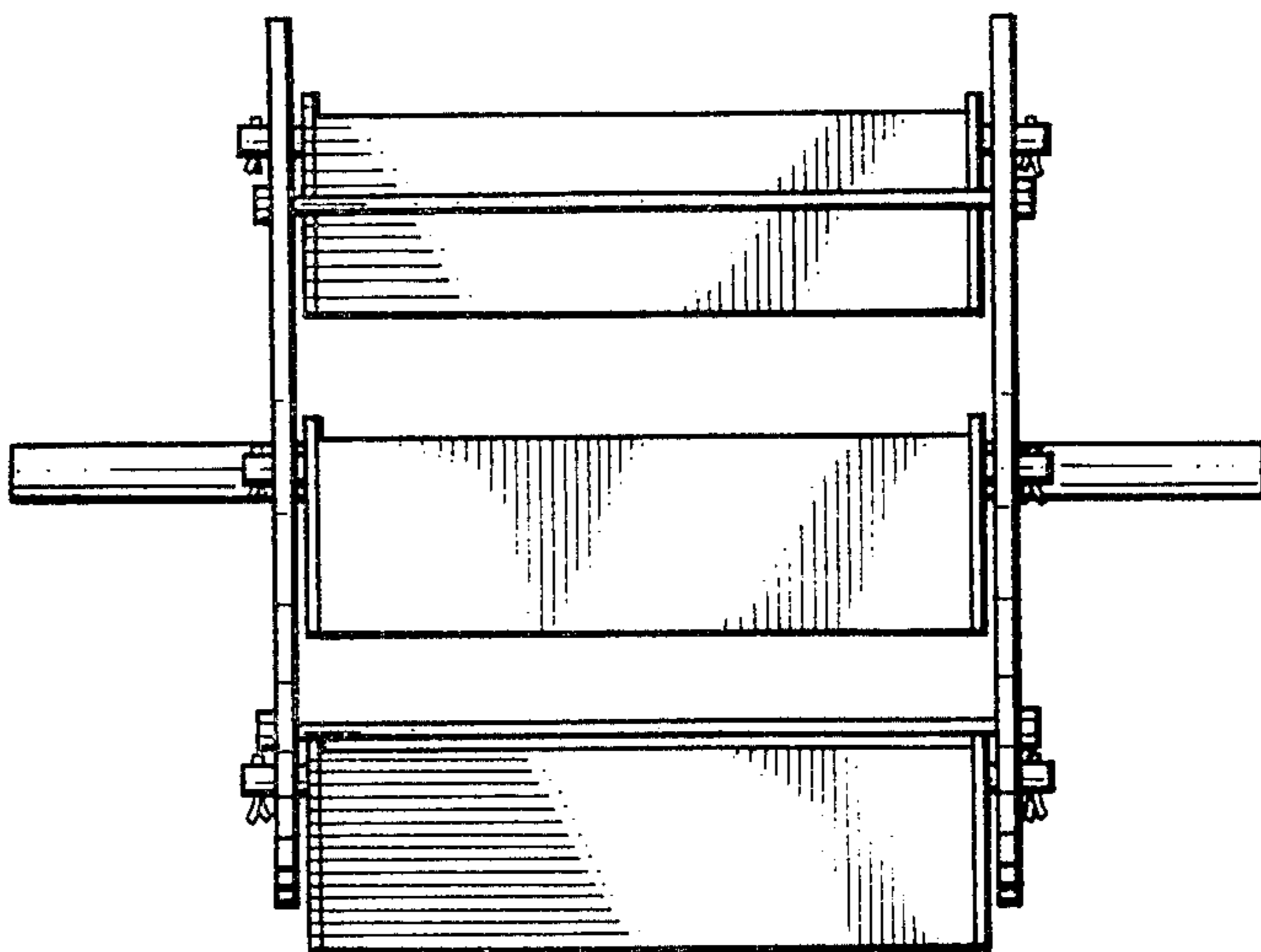
**DESCRIPTION**

FIG. 1 is a perspective view of the rotatable planter support unit showing my new design; FIG. 2 is a front elevational view thereof; FIG. 3 is a side elevational view thereof; FIG. 4 is a top plan view thereof; and FIG. 5 is a bottom plan view thereof.

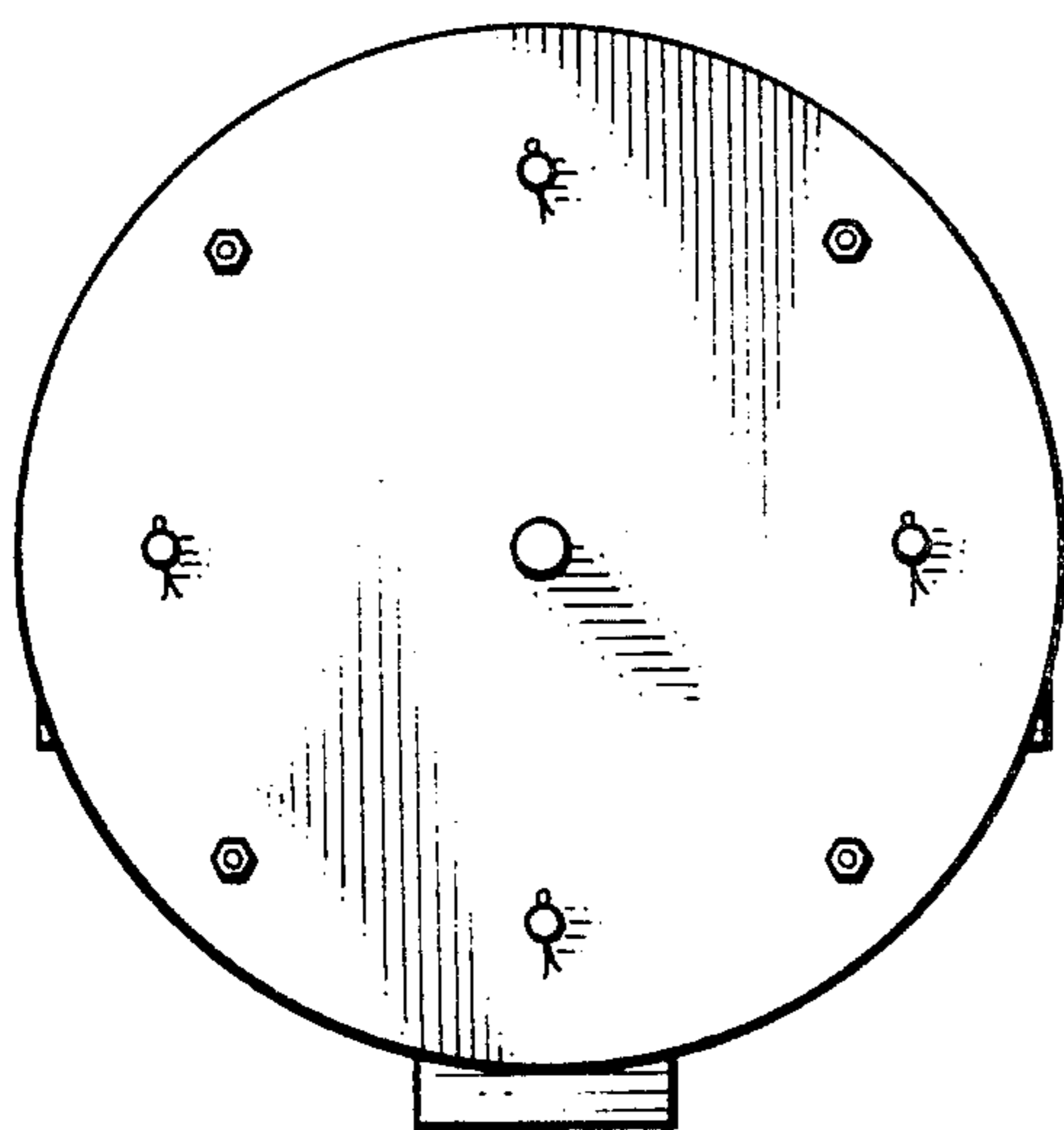




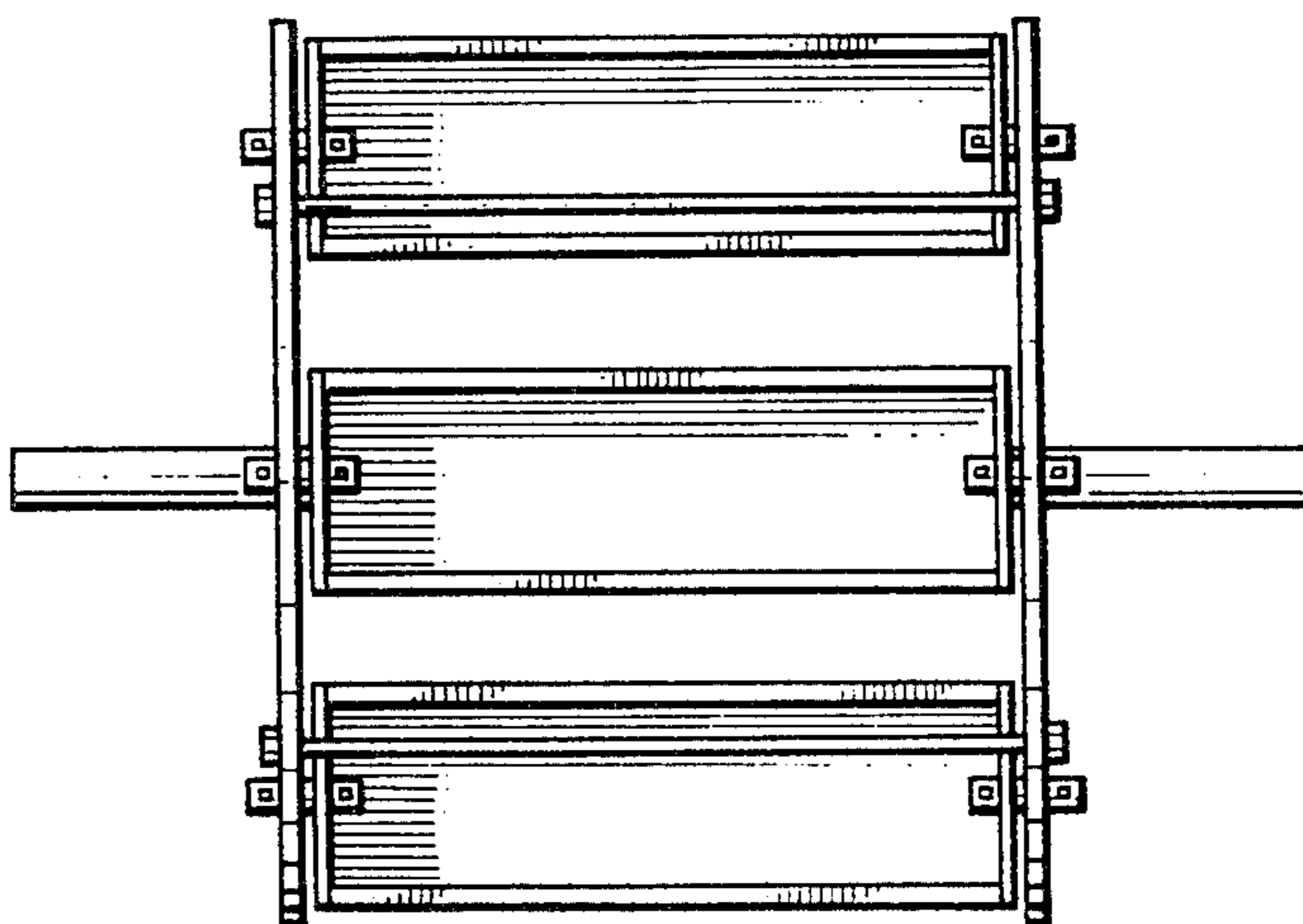
*Fig. 1.*



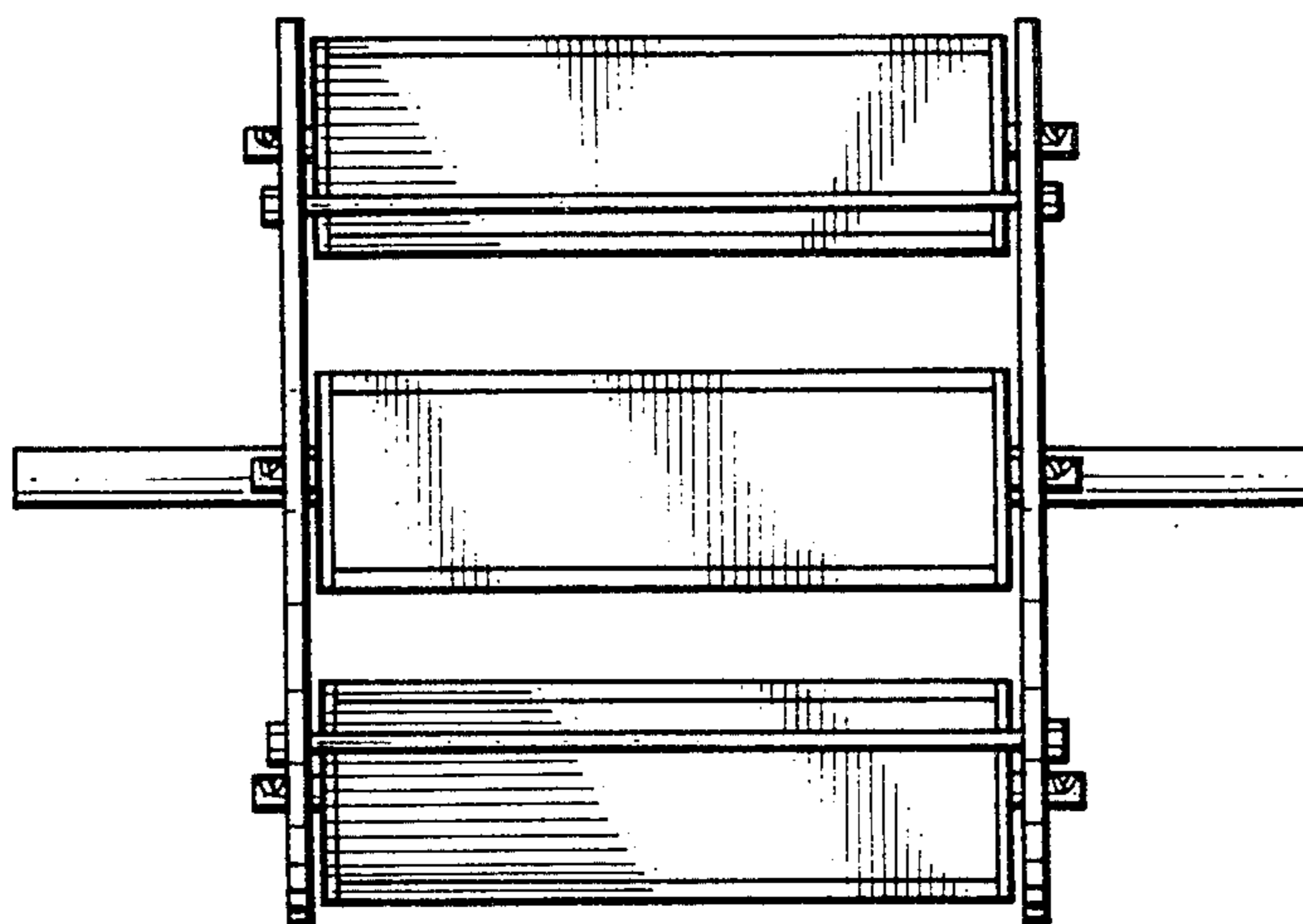
*Fig. 2.*



*Fig. 3.*



*Fig. 4.*



*Fig. 5.*