

[54] CHIME COVER PLATE

[75] Inventors: Monte L. Levin, New York; John J. Daly, Port Washington, both of N.Y.

[73] Assignee: Square D Company, Palatine, Ill.

[**] Term: 14 Years

[21] Appl. No.: 543,732

[22] Filed: Oct. 20, 1983

[52] U.S. Cl. D10/118

[58] Field of Search D10/116, 118; 340/392, 340/402

[56] References Cited

U.S. PATENT DOCUMENTS

- D. 229,701 12/1973 Becker D10/118
- D. 275,088 8/1984 Kachi et al. D10/118

2,470,600 5/1949 Bossard 340/392

FOREIGN PATENT DOCUMENTS

1394992 2/1964 France 340/392

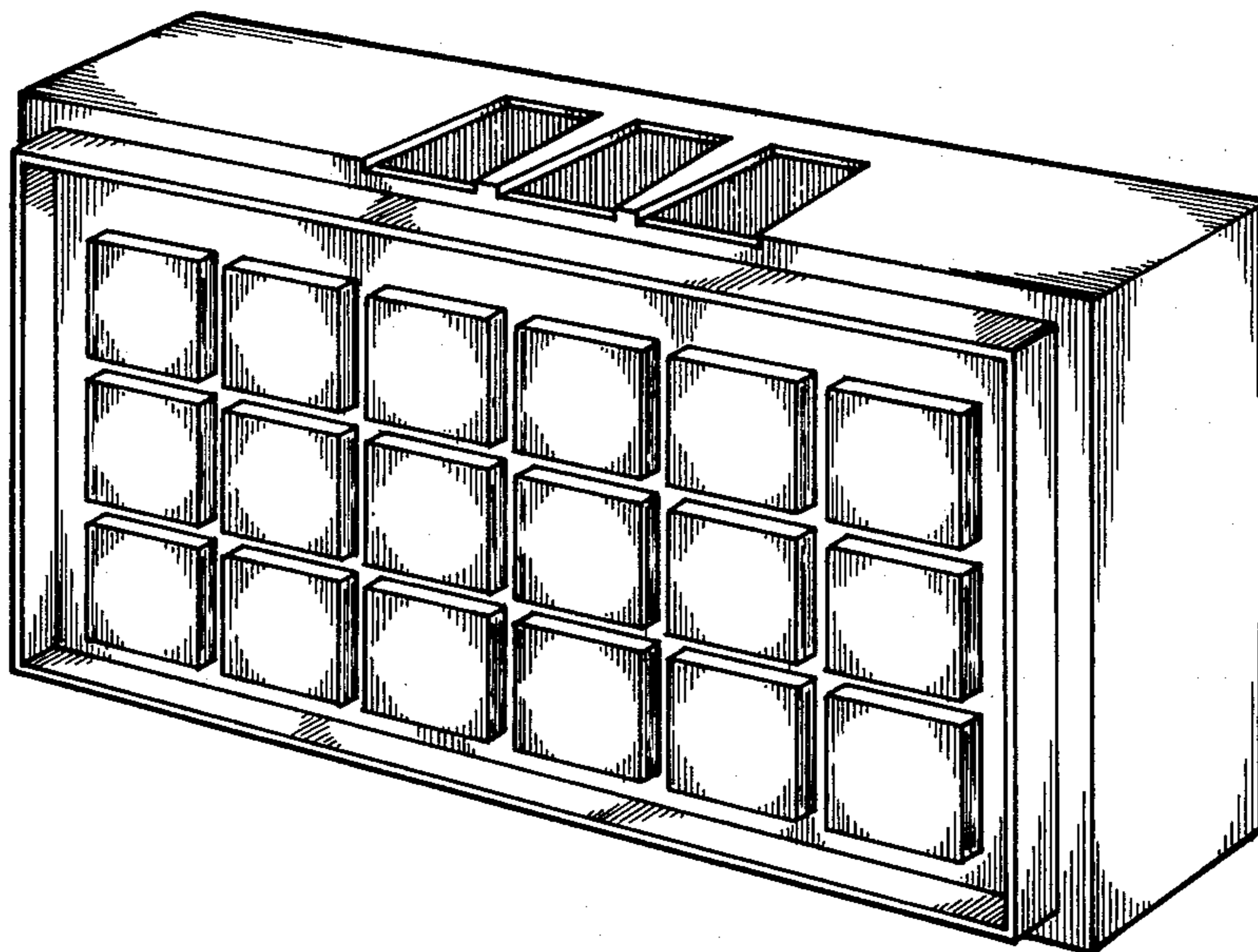
Primary Examiner—B. J. Bullock
Assistant Examiner—Suzanne N. Gitlin
Attorney, Agent, or Firm—Stephen A. Litchfield

[57] CLAIM

The ornamental design for a chime cover plate, substantially as shown and described.

DESCRIPTION

FIG. 1 is a front perspective view of a door chime cover plate showing our new design;
FIG. 2 is a side elevational view thereof;
FIG. 3 is a rear elevational view thereof;
FIG. 4 is a bottom plan view thereof.



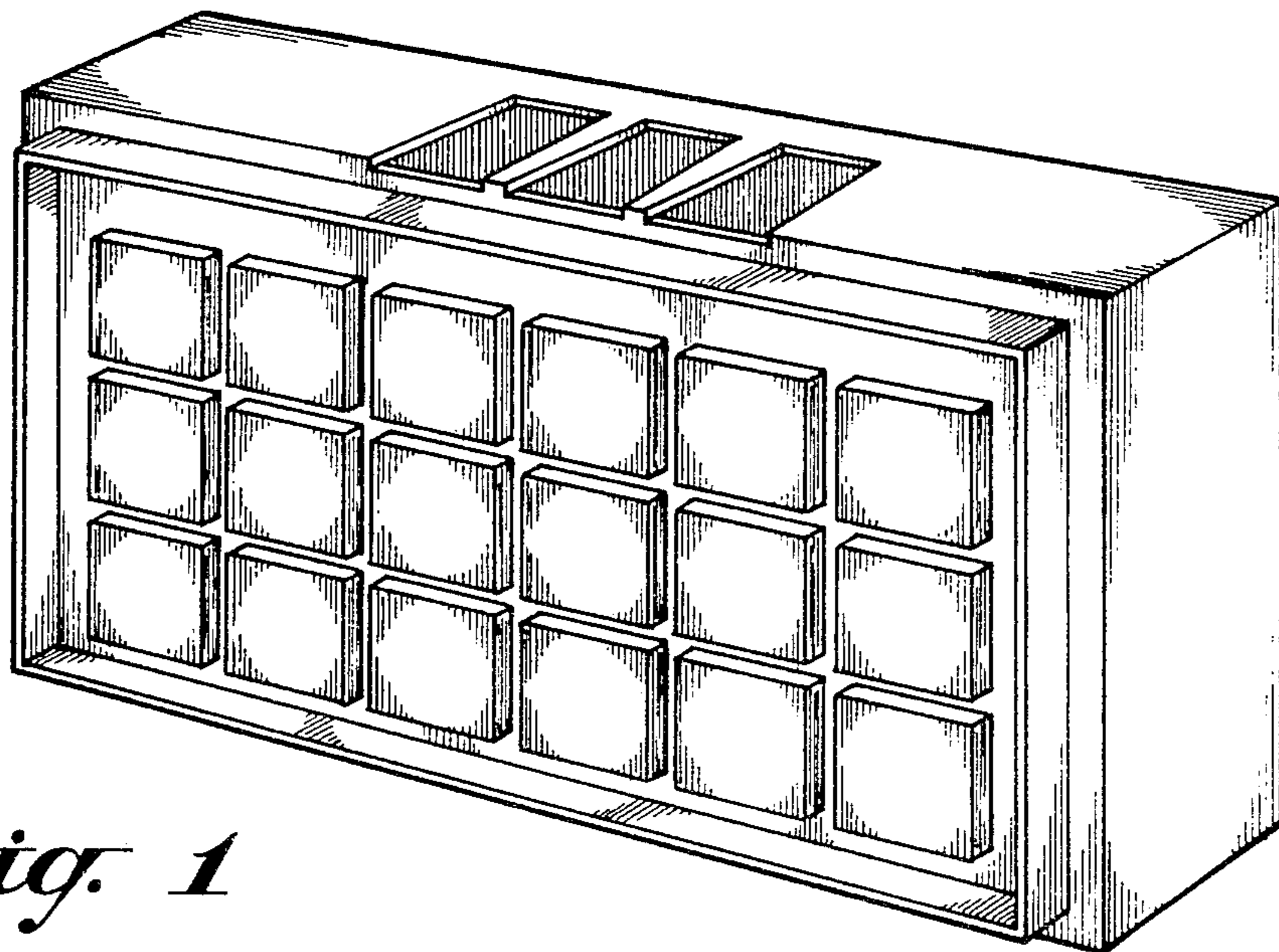


Fig. 1

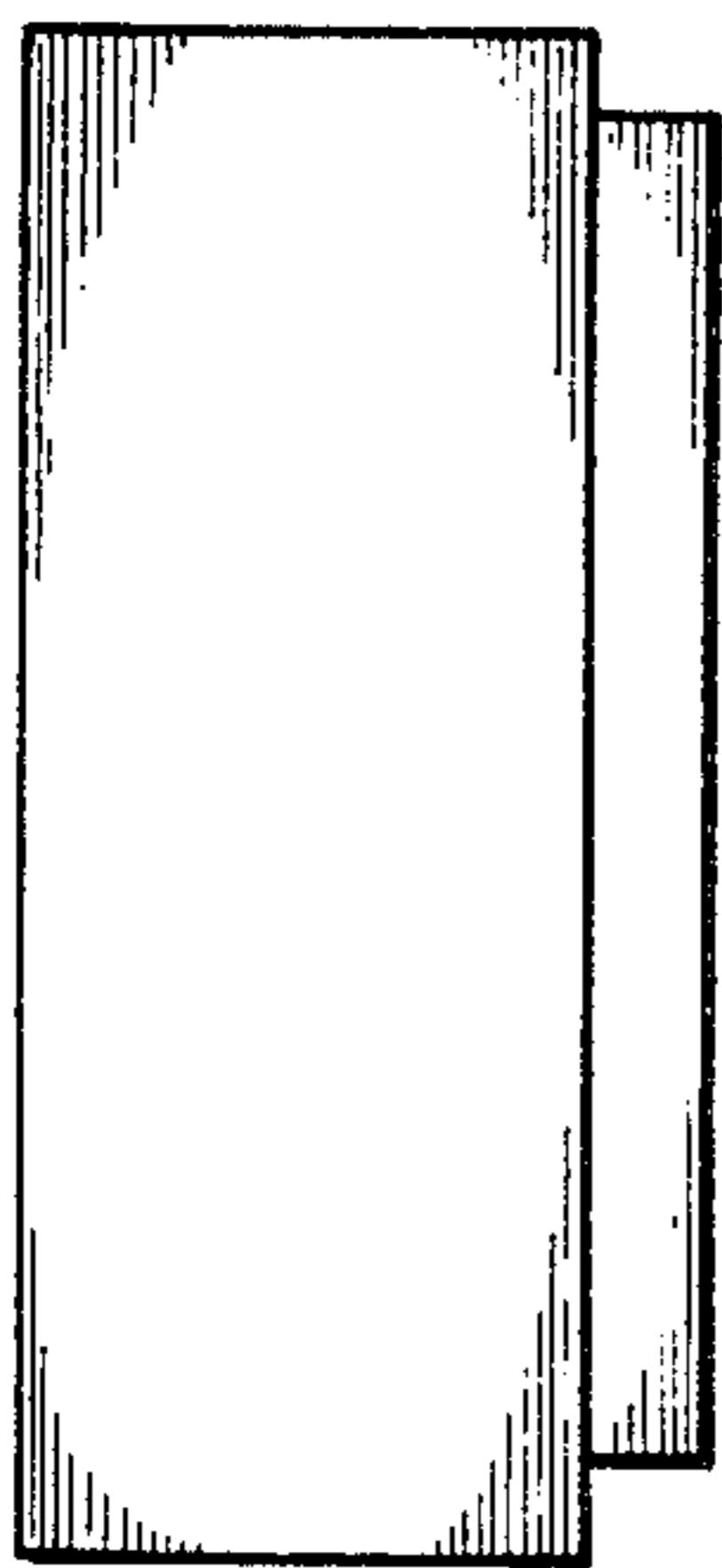


Fig. 2

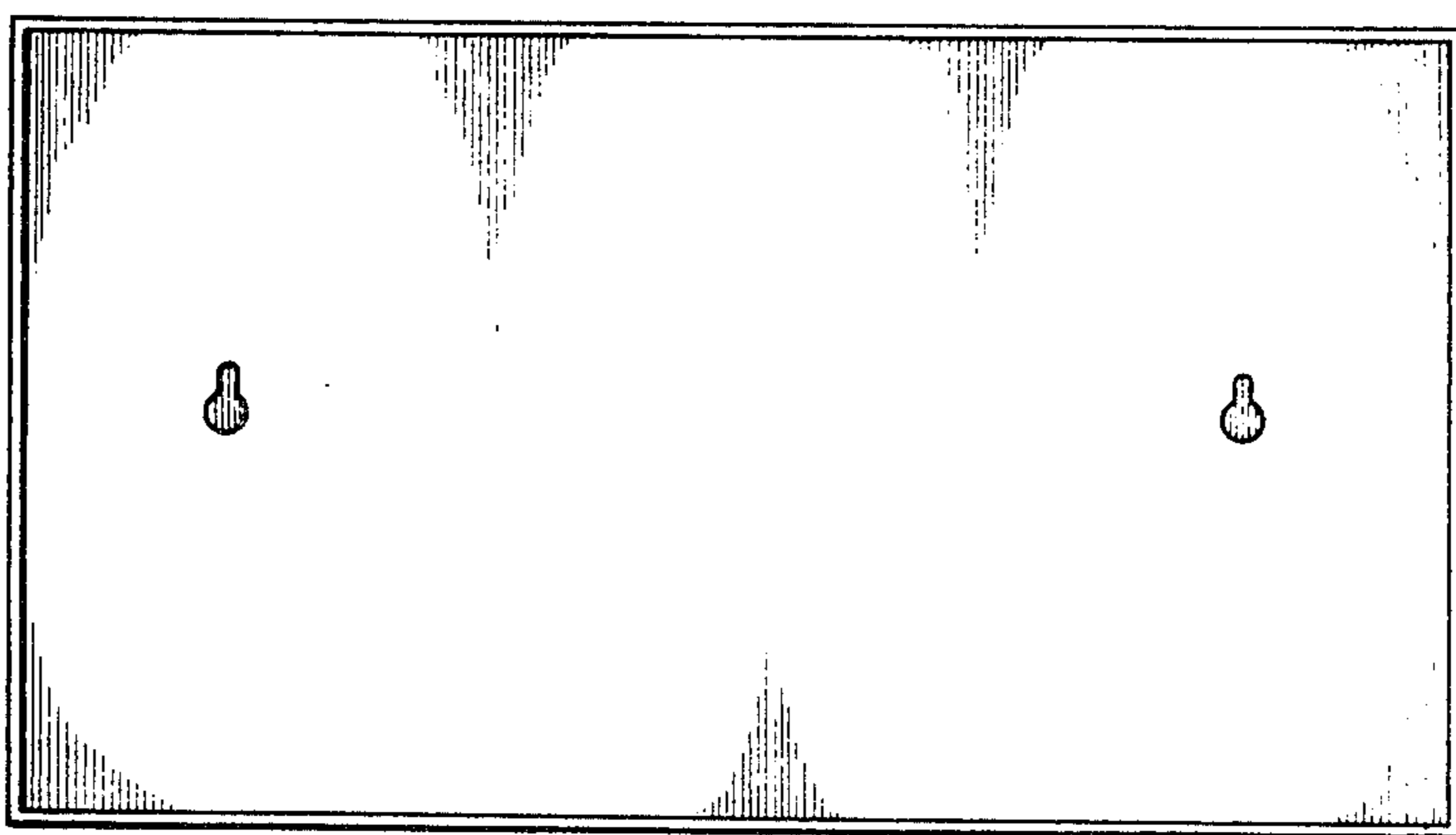


Fig. 3

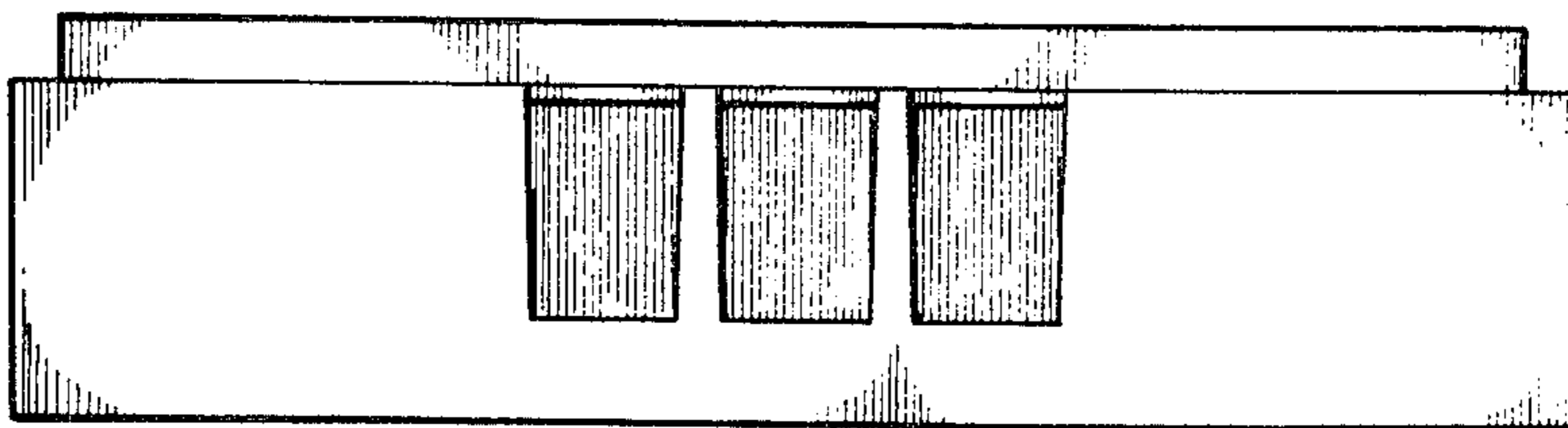


Fig. 4