

[54] CHIME COVER PLATE

[75] Inventors: Monte L. Levin, New York; John J. Daly, Port Washington, both of N.Y.

[73] Assignee: Square D Company, Palatine, Ill.

[**] Term: 14 Years

[21] Appl. No.: 543,726

[22] Filed: Oct. 20, 1983

[52] U.S. Cl. D10/118

[58] Field of Search D10/116, 118; 340/392, 340/402

[56] References Cited

U.S. PATENT DOCUMENTS

D. 228,812	10/1973	Suska	D10/118
D, 275,088	8/1984	Kachi et al.	D10/118
2,470,600	5/1949	Bossard	340/392

FOREIGN PATENT DOCUMENTS

1394992	2/1964	France	340/392
0985413	10/1961	United Kingdom	340/392

OTHER PUBLICATIONS

Electrical Consultant, 8/1970, p. 12, Chime Kit in middle right side.

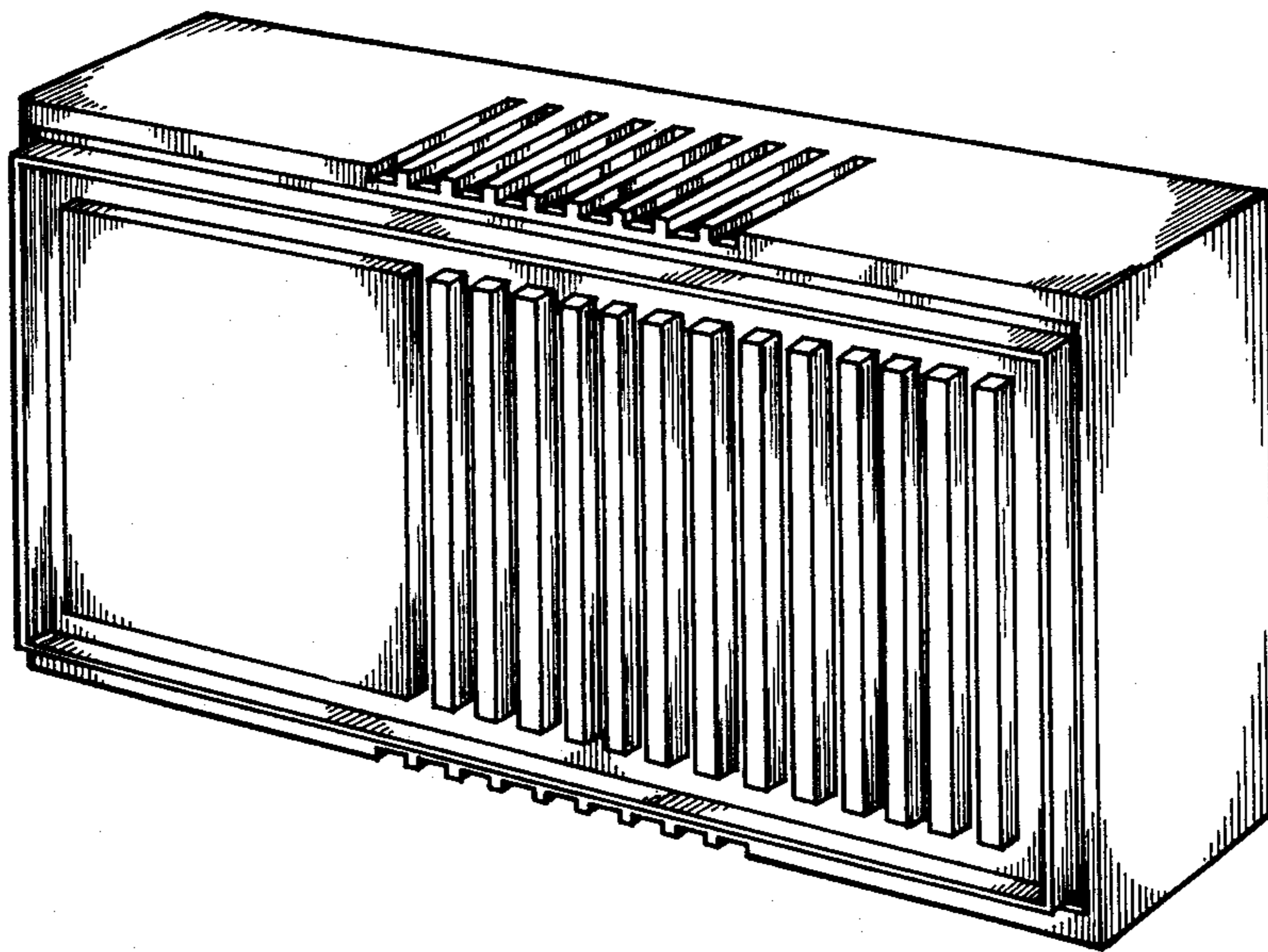
Primary Examiner—B. J. Bullock
Assistant Examiner—Suzanne N. Gitlin
Attorney, Agent, or Firm—Stephen A. Litchfield

[57] CLAIM

The ornamental design for a chime cover plate, substantially as shown and described.

DESCRIPTION

FIG. 1 is a front perspective view of a door chime cover plate showing our new design;
FIG. 2 is a side elevational view thereof;
FIG. 3 is a rear elevational view thereof;
FIG. 4 is a bottom plan view thereof.



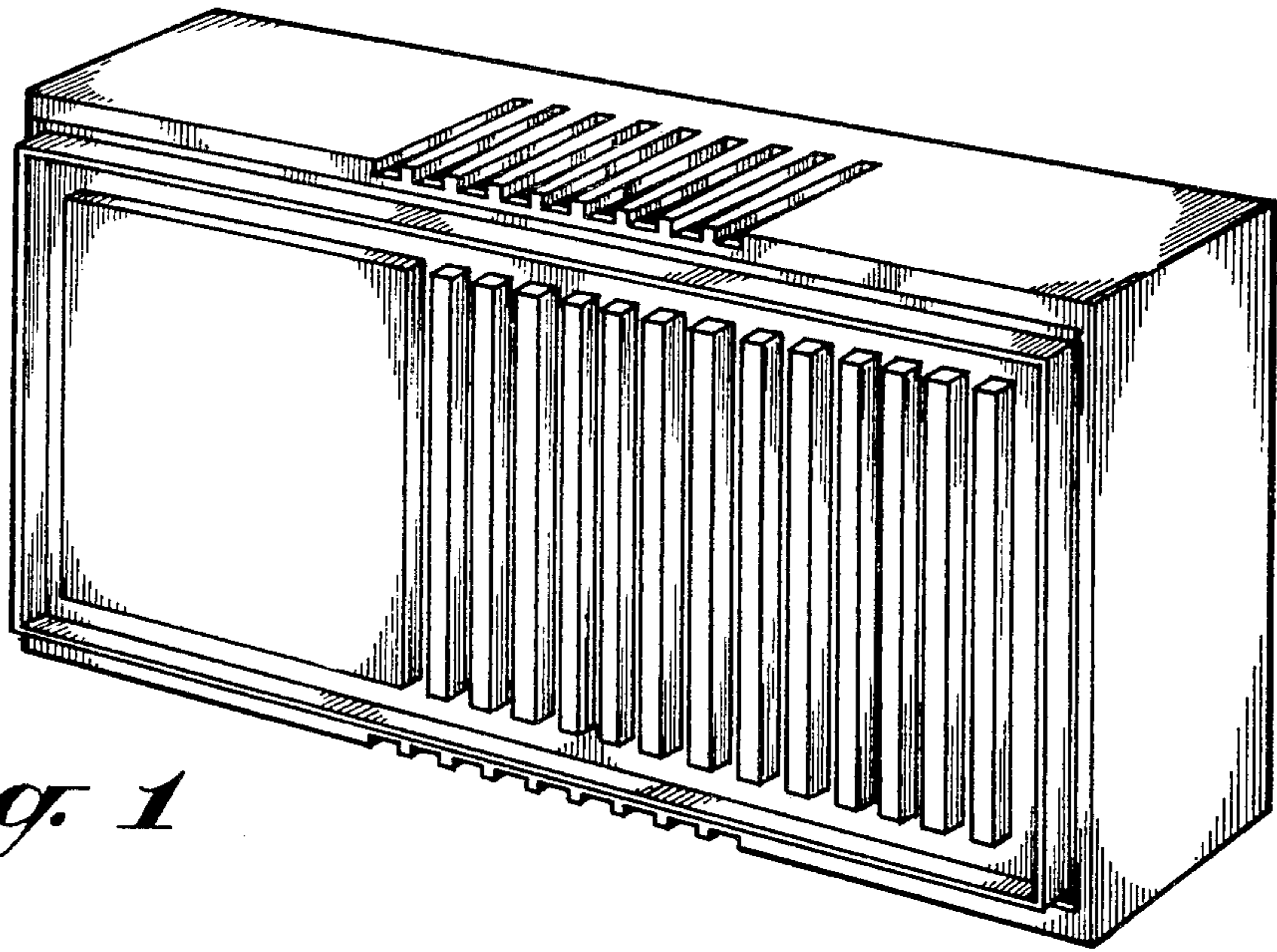


Fig. 1

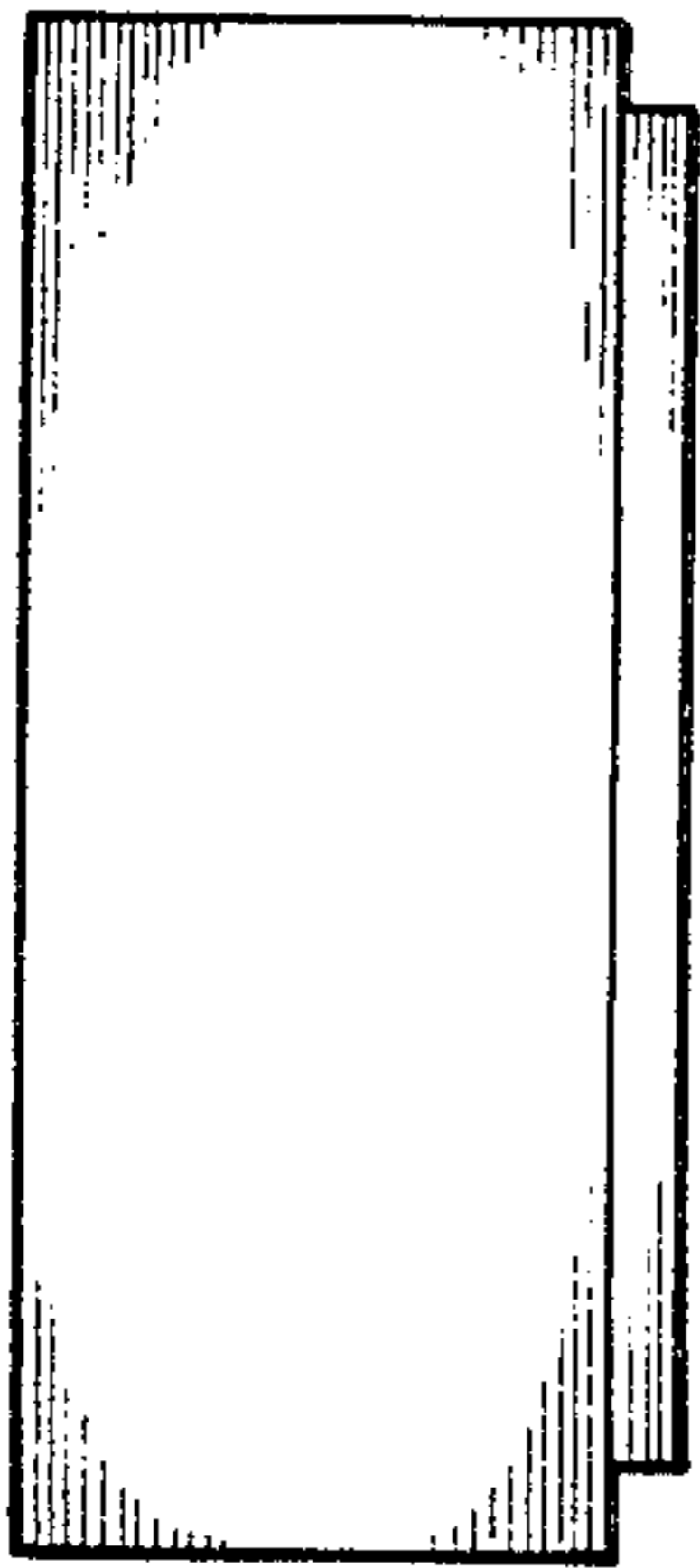


Fig. 2

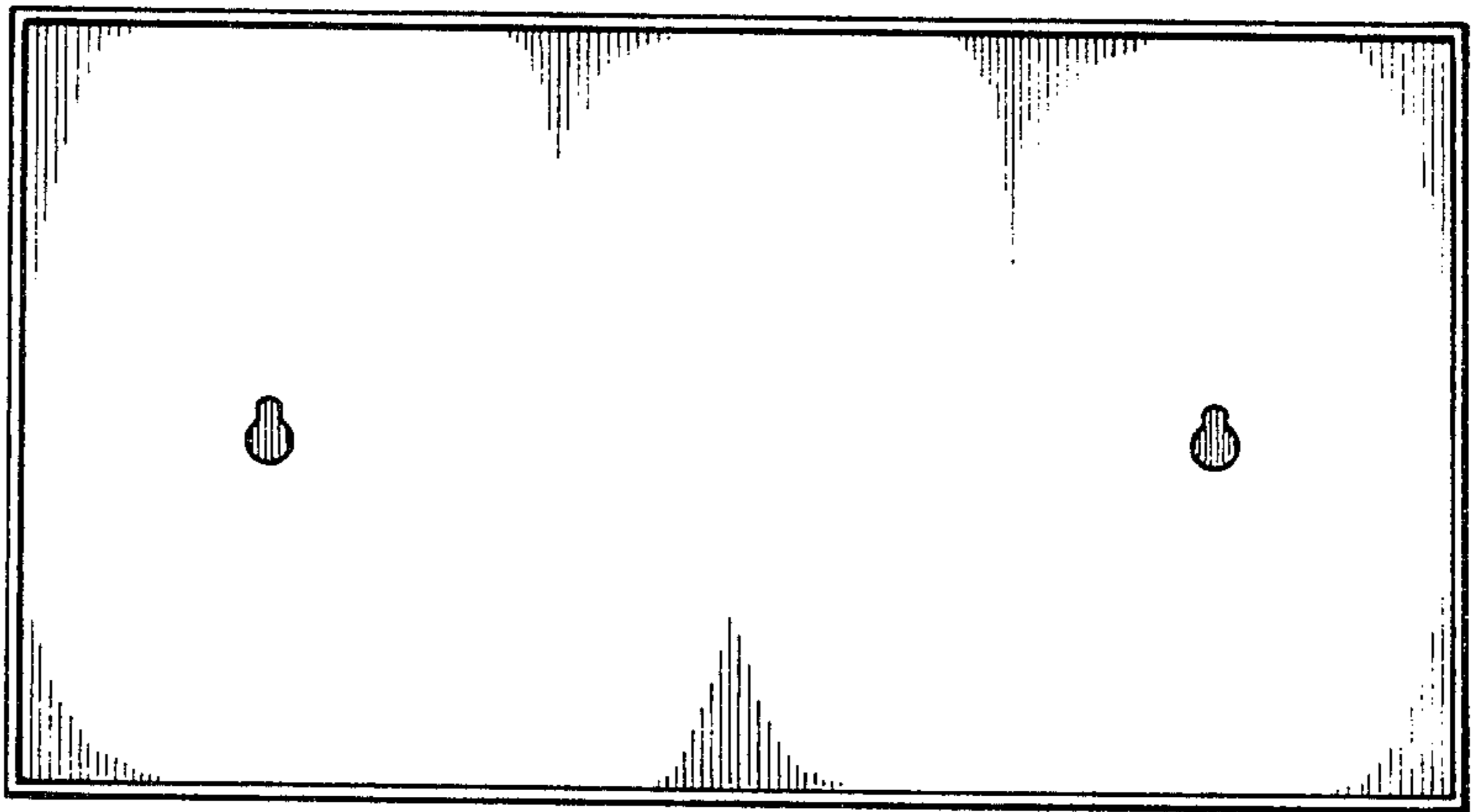


Fig. 3

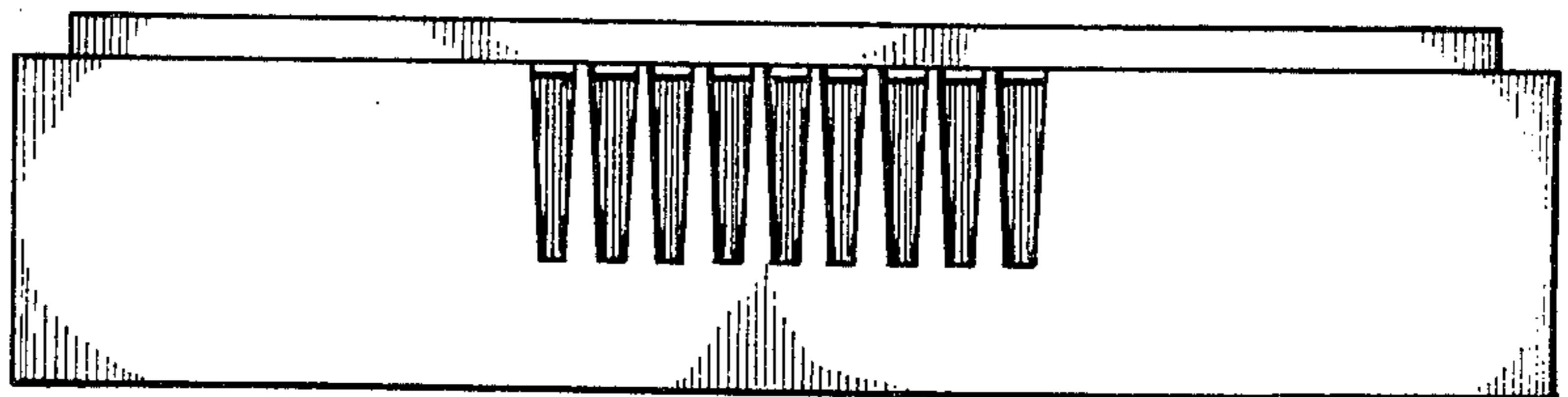


Fig. 4