

[54] THERMOPLASTIC DISPENSING DEVICE

[75] Inventor: Michael M. Dziki, Woodbury, Minn.

[73] Assignee: Minnesota Mining and Manufacturing Company, Saint Paul, Minn.

[**] Term: 14 Years

[21] Appl. No.: 459,521

[22] Filed: Jan. 20, 1983

[51] Int. Cl. D8-30;61;68;107

[52] U.S. Cl. D8/61; D8/68; D8/30

[58] Field of Search 173/163, 169, 170; 81/54, 57.11; 408/124, DIG. 1; 222/146 HE; 219/230, 421; 72/391, 453.15

[56] References Cited

U.S. PATENT DOCUMENTS

- D. 210,977 5/1968 Ruskin D8/30
- D. 211,206 5/1968 Johnson et al. D8/30
- 3,298,572 11/1967 Newton 222/146
- 3,314,574 4/1967 Longval et al. 222/146

- 3,485,417 12/1969 Cochs 222/146
- 3,740,295 6/1973 Brown 219/230 X
- 3,745,655 7/1973 Malmin 219/230 X

OTHER PUBLICATIONS

Thermogrip Electric Glue Gun, Professional Model 250, published by United Shoe Machinery Corporation.

Primary Examiner—Susan J. Lucas

Assistant Examiner—C. E. Heflin

Attorney, Agent, or Firm—Donald M. Sell; James A. Smith; William L. Huebsch

[57] CLAIM

The ornamental design for a thermoplastic dispensing device, as shown and described.

DESCRIPTION

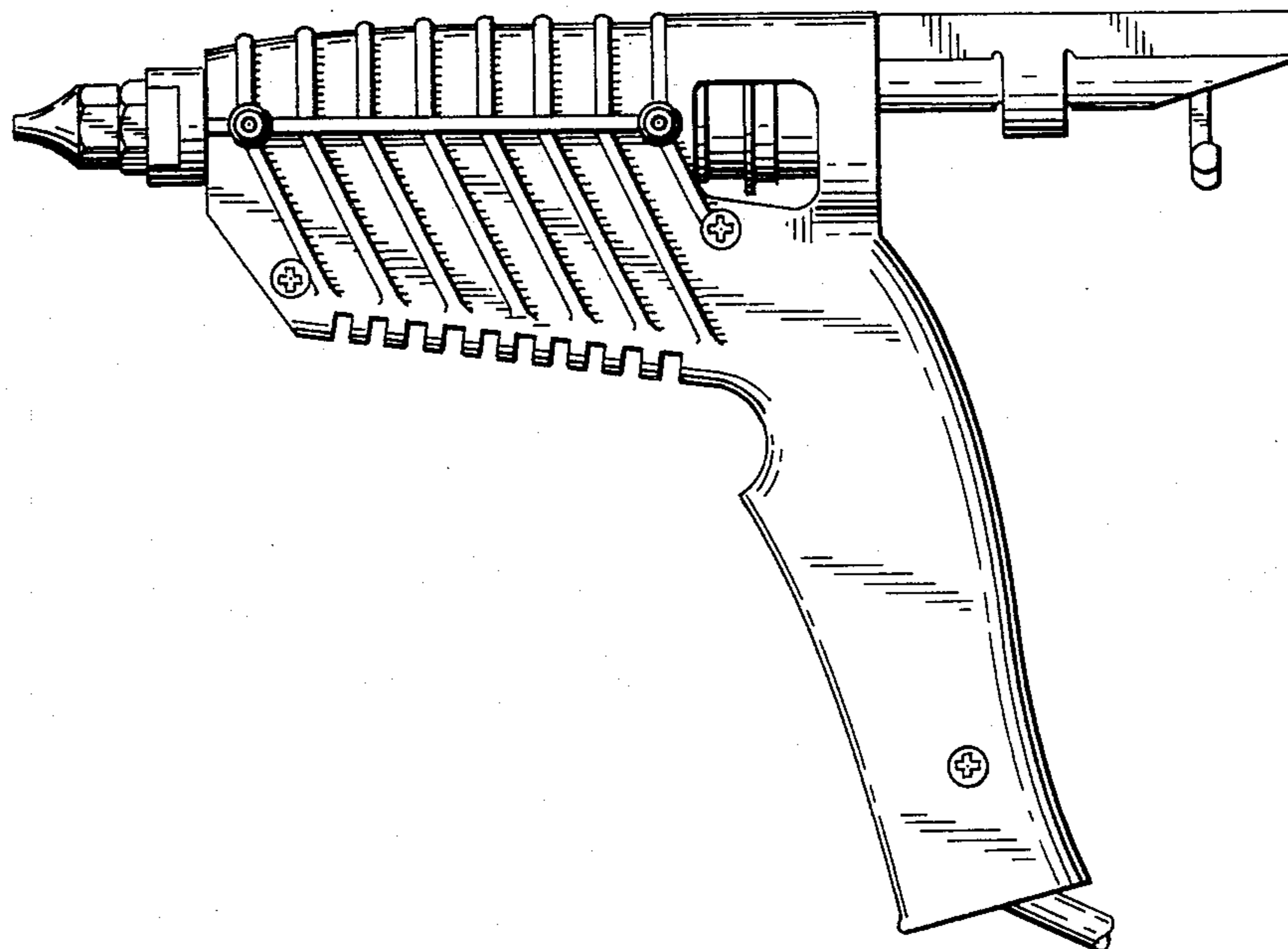
FIG. 1 is a left side view of a thermoplastic dispensing device showing my new design, the right side view being a mirror image thereof;

FIG. 2 is a top view thereof;

FIG. 3 is a front view thereof;

FIG. 4 is a rear view thereof; and

FIG. 5 is a bottom view thereof.



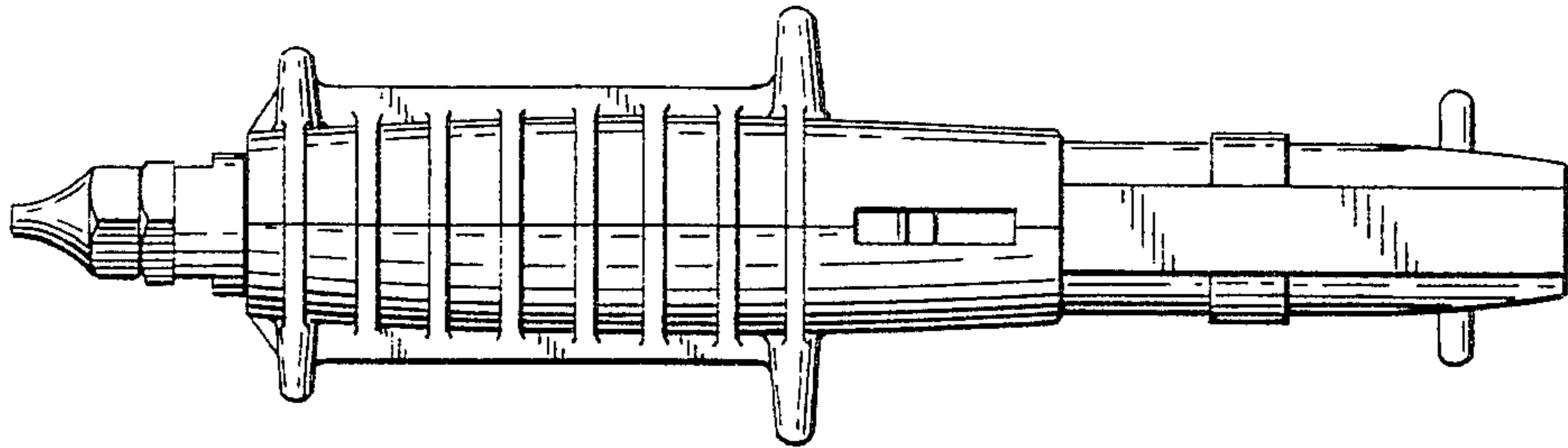


FIG. 2

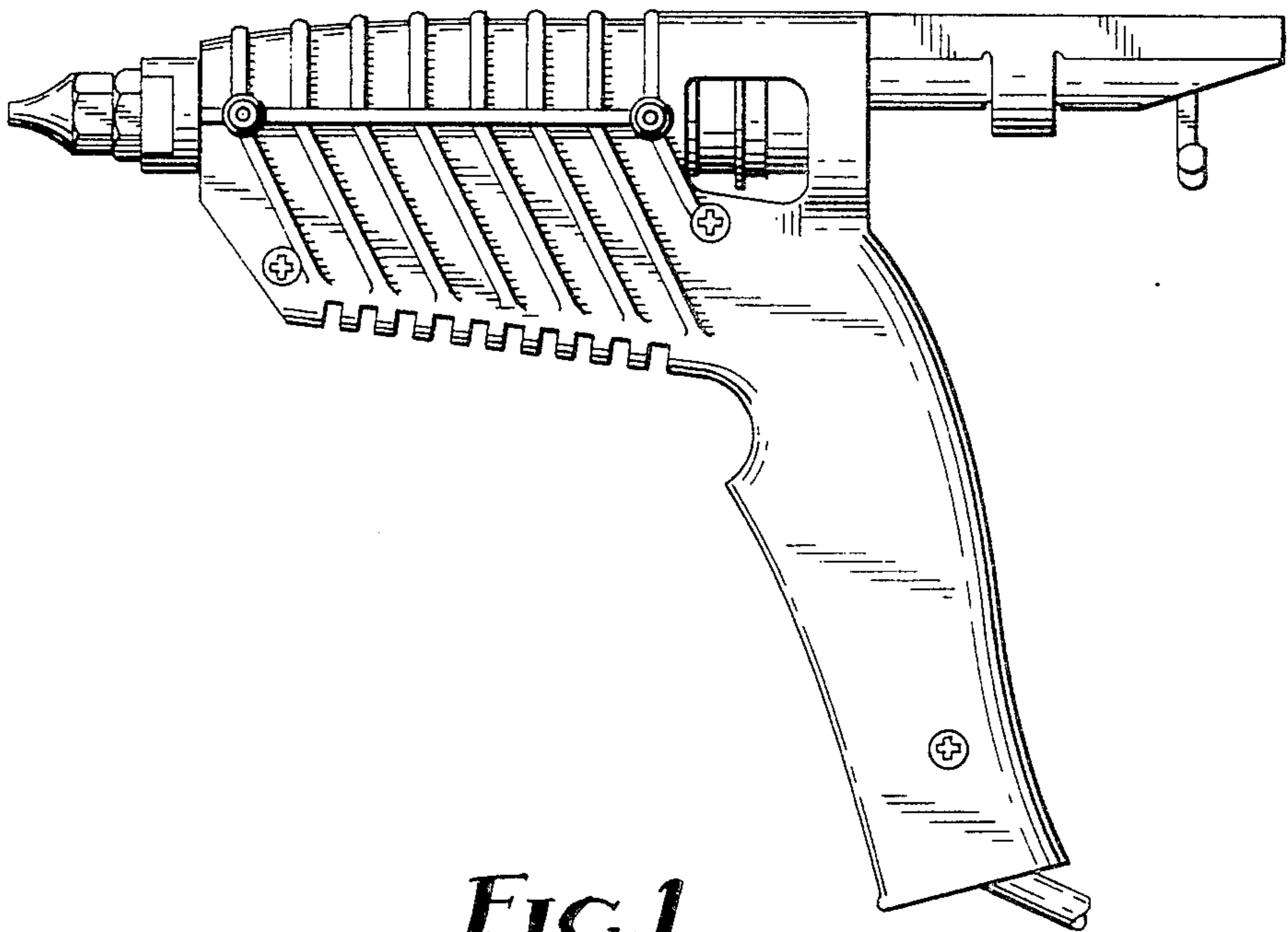


FIG. 1

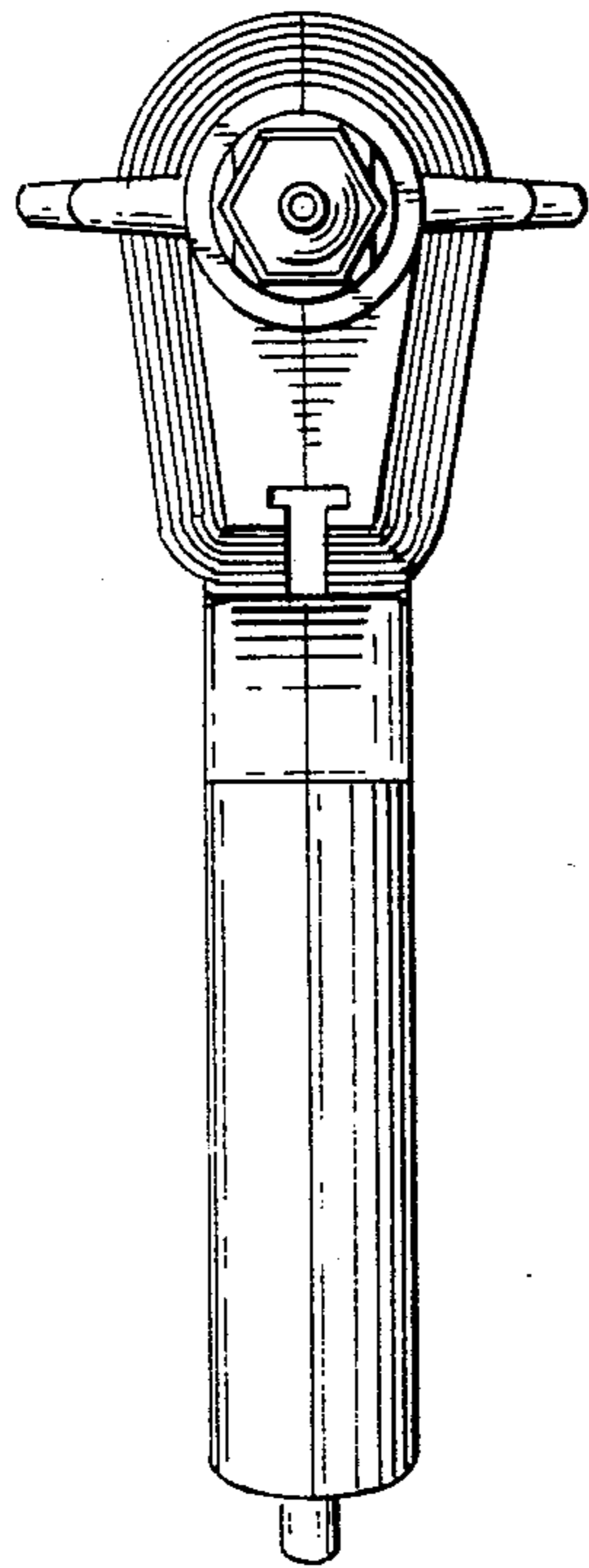


FIG. 3

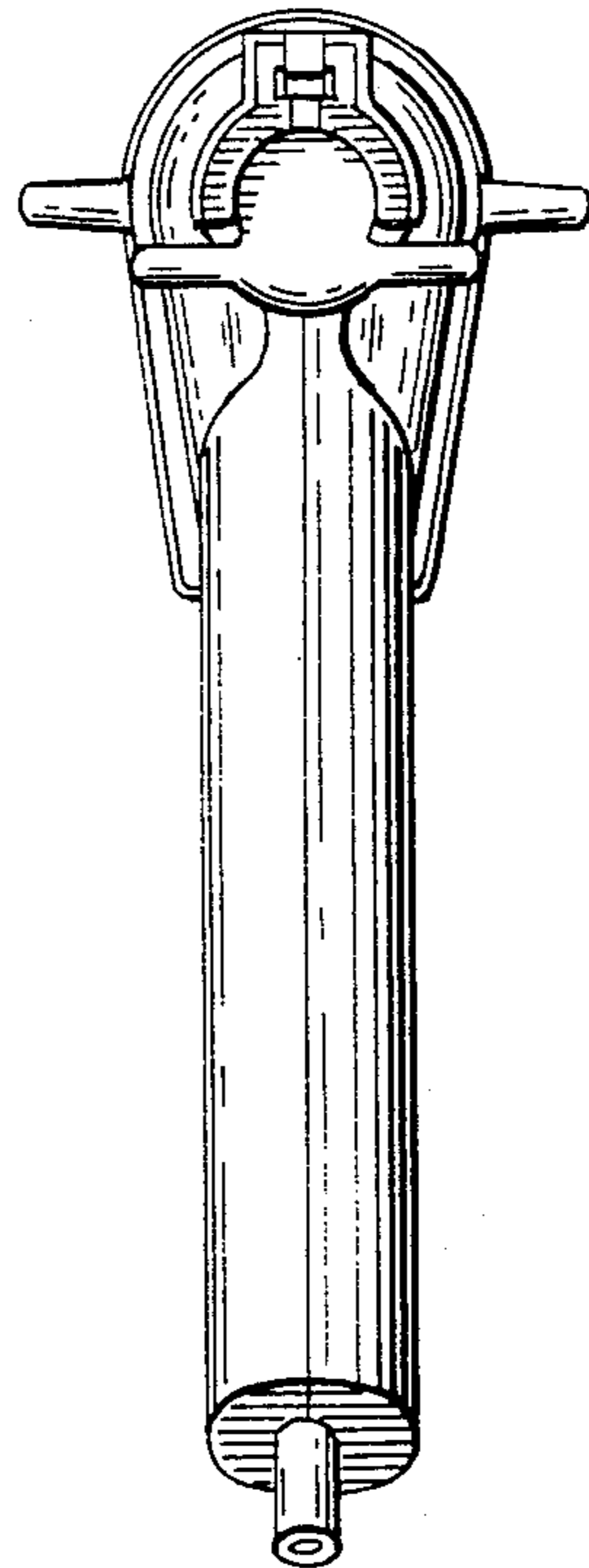


FIG. 4

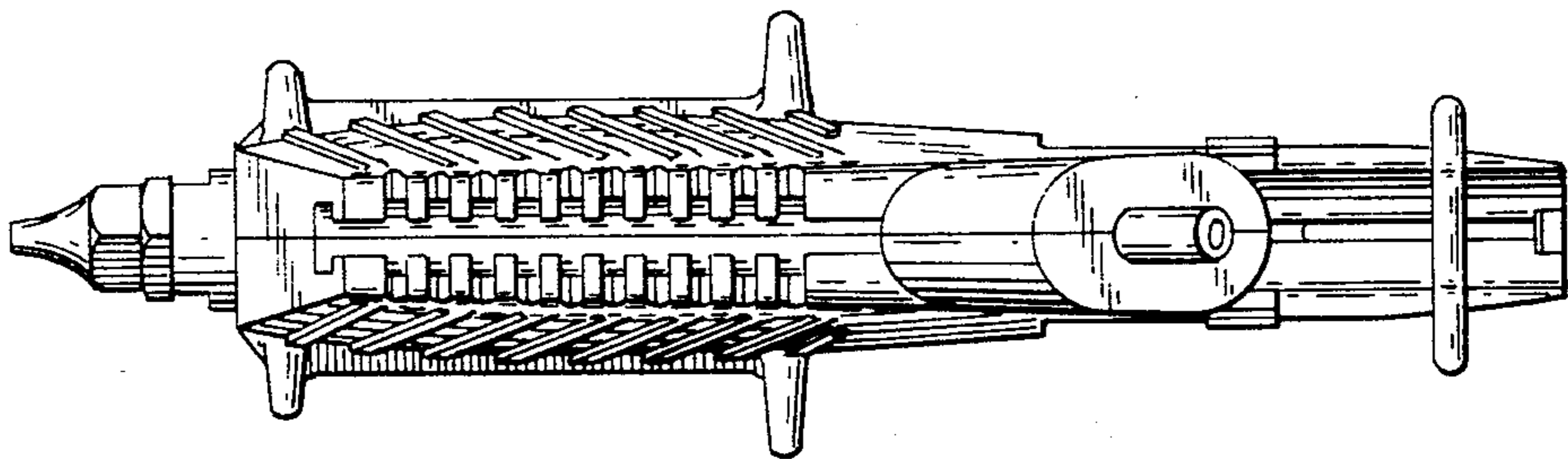


FIG. 5