

[54] SICKLE GUARD ALIGNING HAND TOOL

[76] Inventor: John M. Kapphahn, Rte. 1, Elbow Lake, Minn. 56511

[\*] Notice: The portion of the term of this patent subsequent to Mar. 13, 1998 has been disclaimed.

[\*\*] Term: 14 Years

[21] Appl. No.: 461,947

[22] Filed: Jan. 28, 1983

[52] U.S. Cl. .... D8/14; D8/32

[58] Field of Search ..... D8/1-13, D8/32, 14; 72/458, 459, 477

[56] References Cited

U.S. PATENT DOCUMENTS

D. 272,980	3/1984	Kapphahn	D8/32
347,588	8/1886	George	72/458
2,075,117	3/1937	Johnson	153/38
2,322,830	6/1943	Conner	78/53.5
2,616,317	11/1952	Hakkerup	81/15
2,667,798	2/1954	Beasley	81/15
2,689,494	9/1954	Brown	81/15
2,705,992	4/1955	Storrie	153/32
2,799,193	7/1957	Ferris	81/15
2,852,971	9/1958	Macaluso, Jr.	81/15
2,922,326	1/1960	Martin	81/15
2,940,408	6/1960	Monsees et al.	D8/32
3,546,919	12/1970	Fial	72/458
3,729,976	5/1973	Heitzman	72/389
3,881,341	5/1975	Evans	72/459

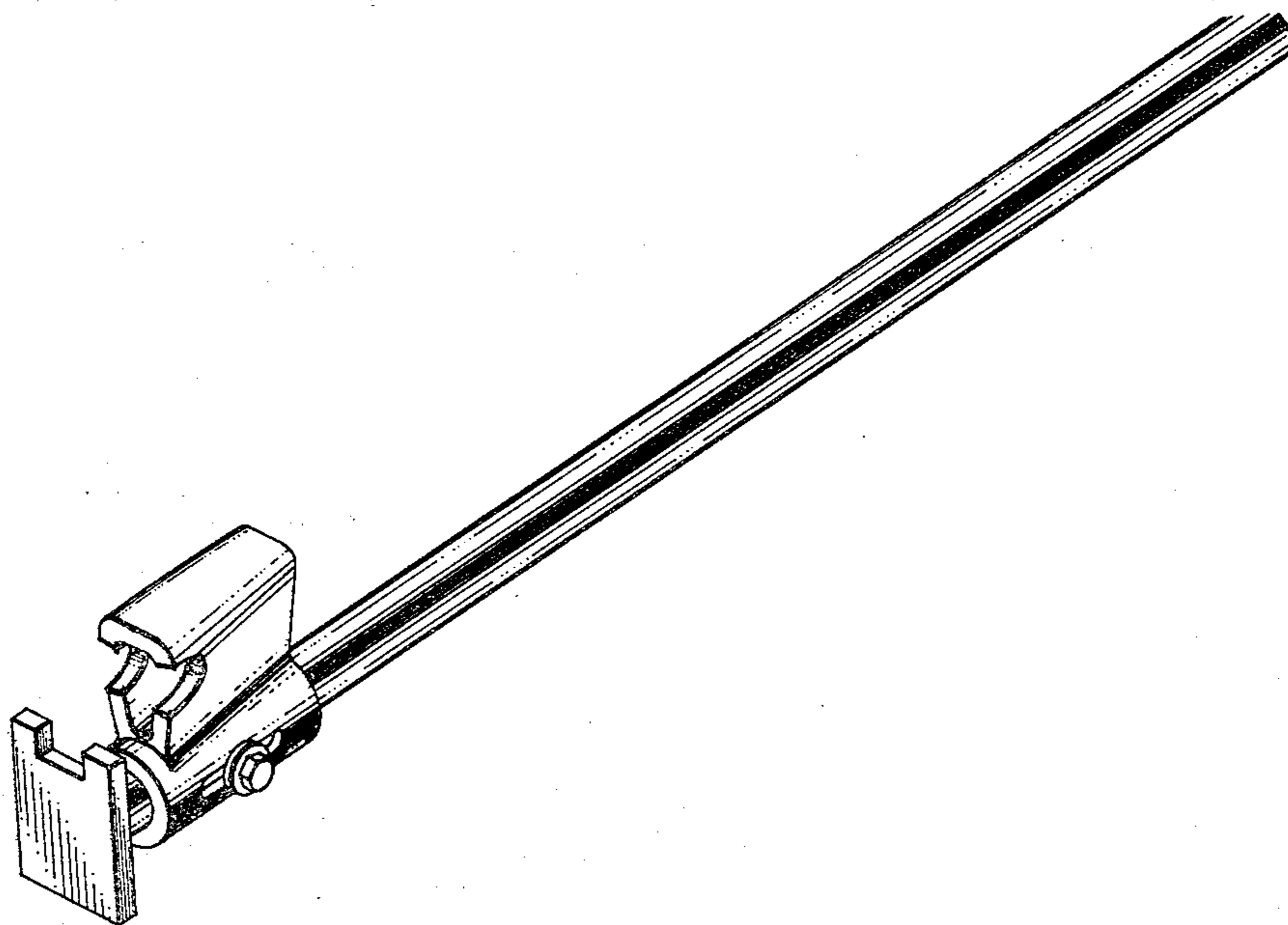
Primary Examiner—Wallace R. Burke  
Assistant Examiner—Horace B. Fay  
Attorney, Agent, or Firm—Burd, Bartz & Gutenkauf

[57] CLAIM

The ornamental design for a sickle guard aligning hand tool, as shown and described.

DESCRIPTION

FIG. 1 is a perspective view of the sickle guard aligning hand tool of my new design;  
 FIG. 2 is a side elevational view of the left side of FIG. 1;  
 FIG. 3 is a top plan view of FIG. 2;  
 FIG. 4 is a bottom view of FIG. 2;  
 FIG. 5 is an enlarged end view of the left end of FIG. 2;  
 FIG. 6 is an enlarged end view of the right end of FIG. 2;  
 FIG. 7 is an enlarged sectional view taken along the line 7—7 of FIG. 2;  
 FIG. 8 is a perspective view of a second embodiment thereof;  
 FIG. 9 is a side view of the left side of FIG. 8;  
 FIG. 10 is a top plan view of FIG. 8;  
 FIG. 11 is a bottom view of FIG. 8;  
 FIG. 12 is an enlarged end view of the left end of FIG. 8;  
 FIG. 13 is an enlarged end view of the right end of FIG. 8; and  
 FIG. 14 is an enlarged sectional view taken along the line 14—14 of FIG. 8.



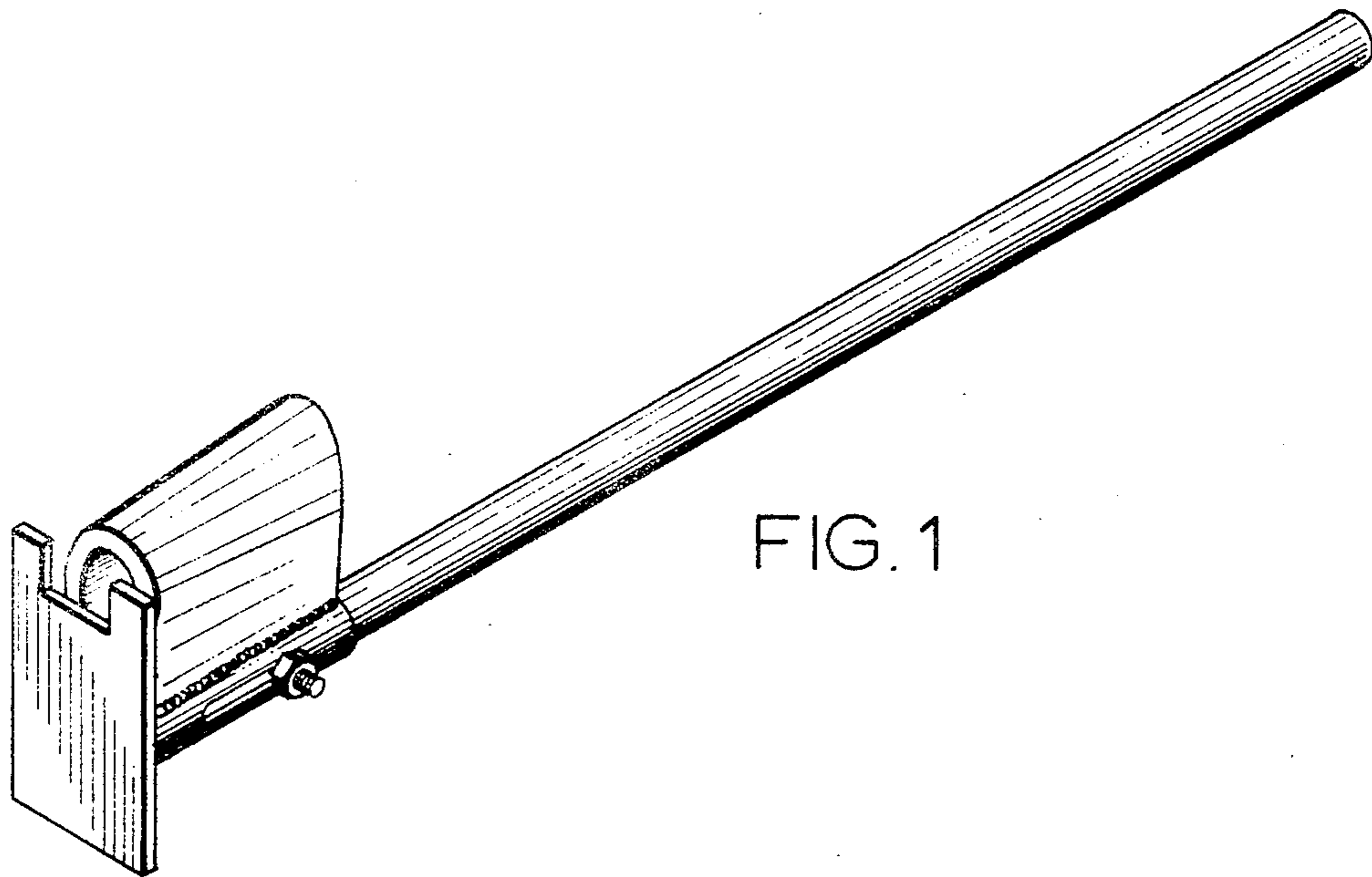


FIG. 1

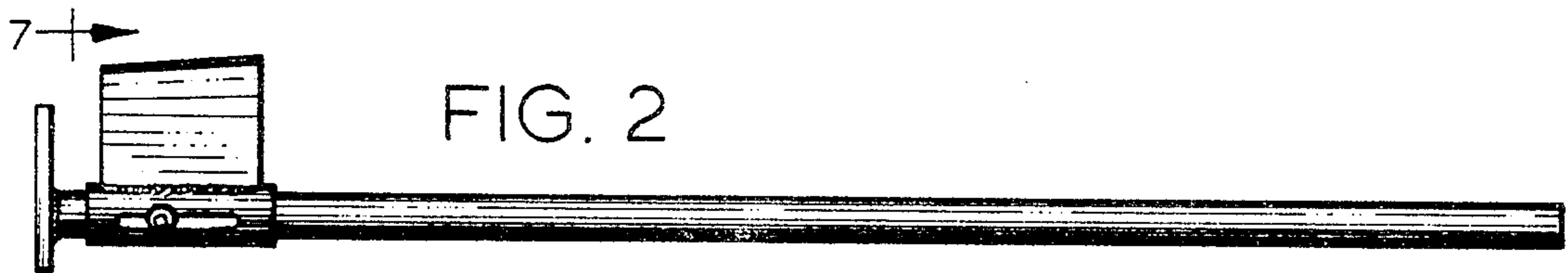


FIG. 2

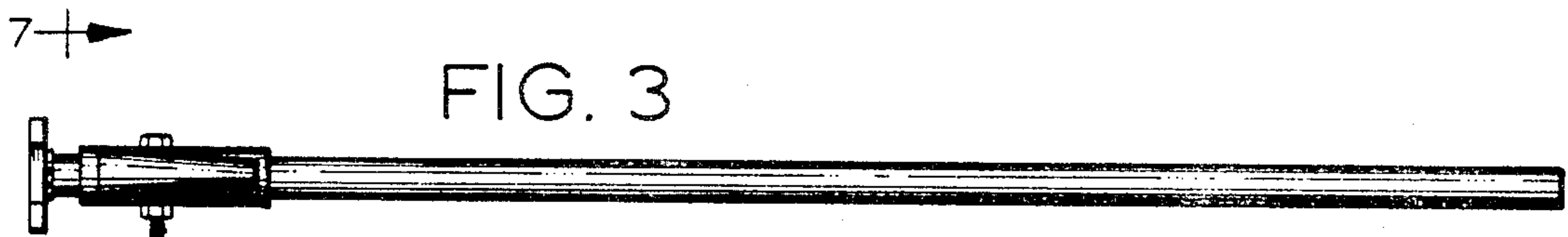


FIG. 3

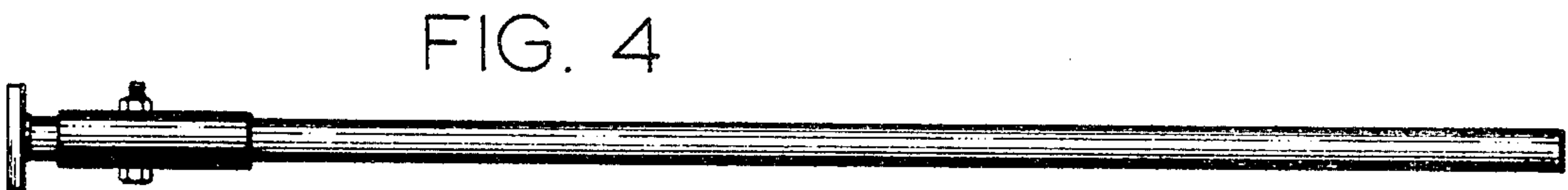


FIG. 4

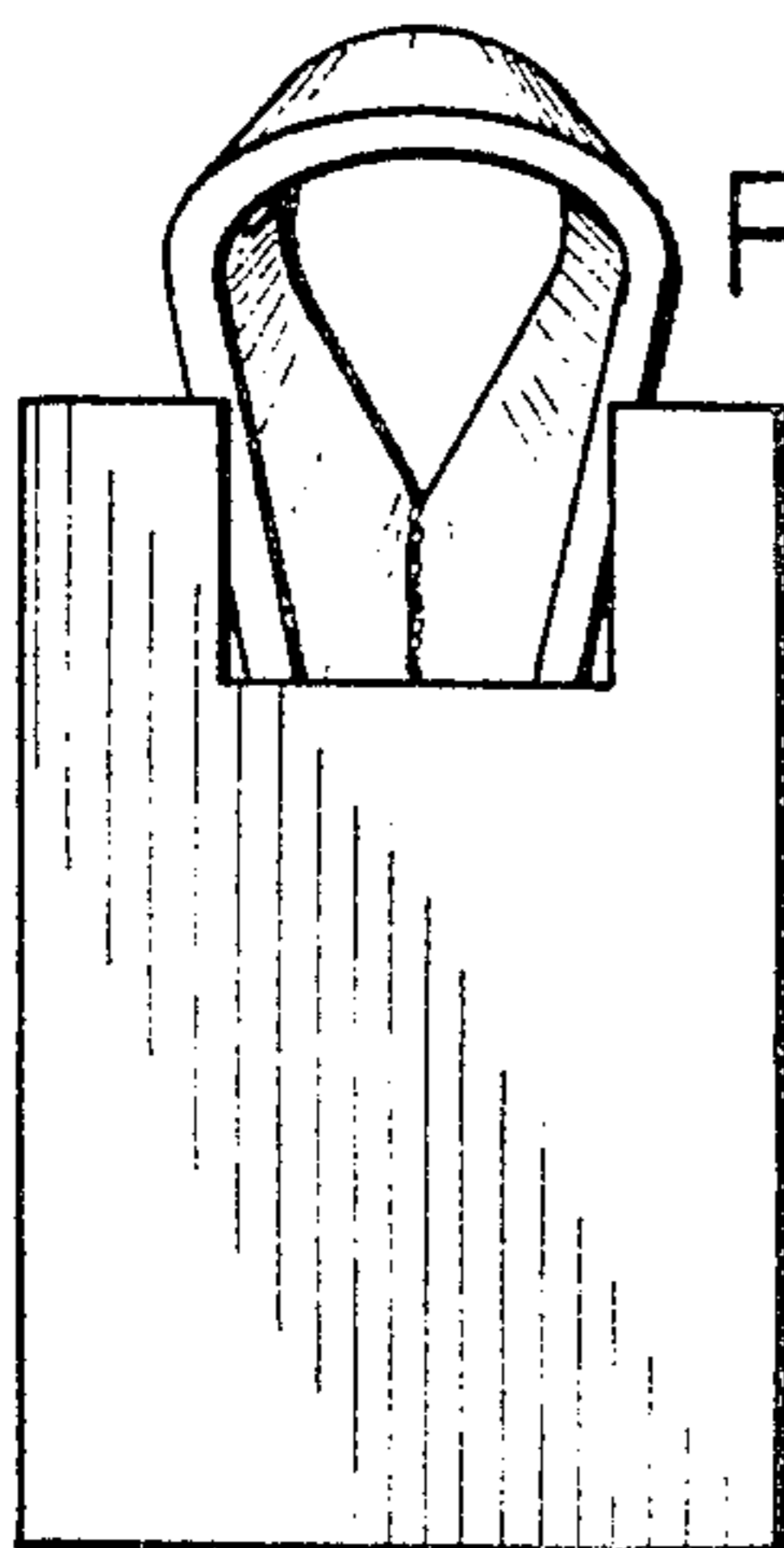


FIG. 5

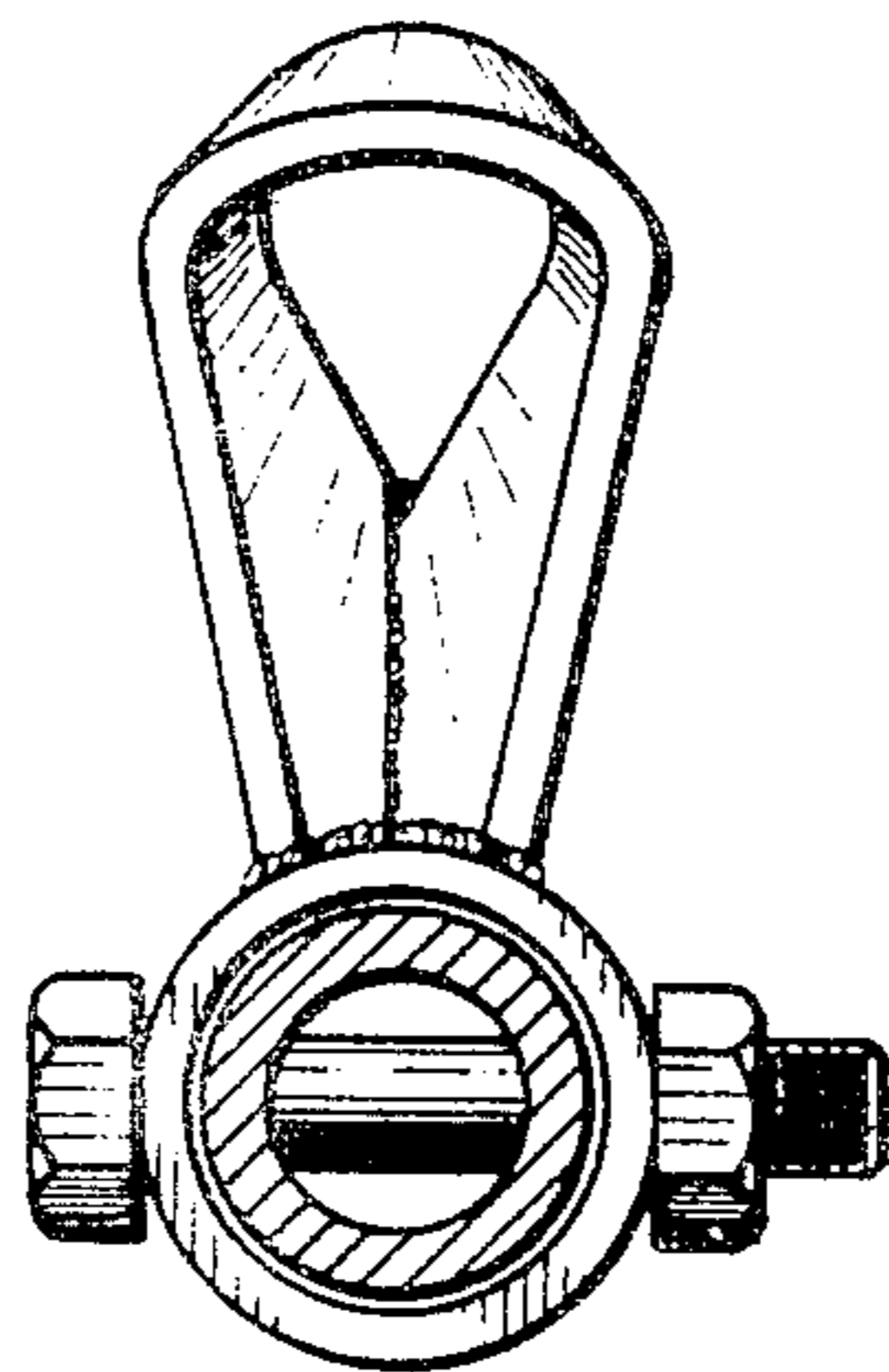


FIG. 7

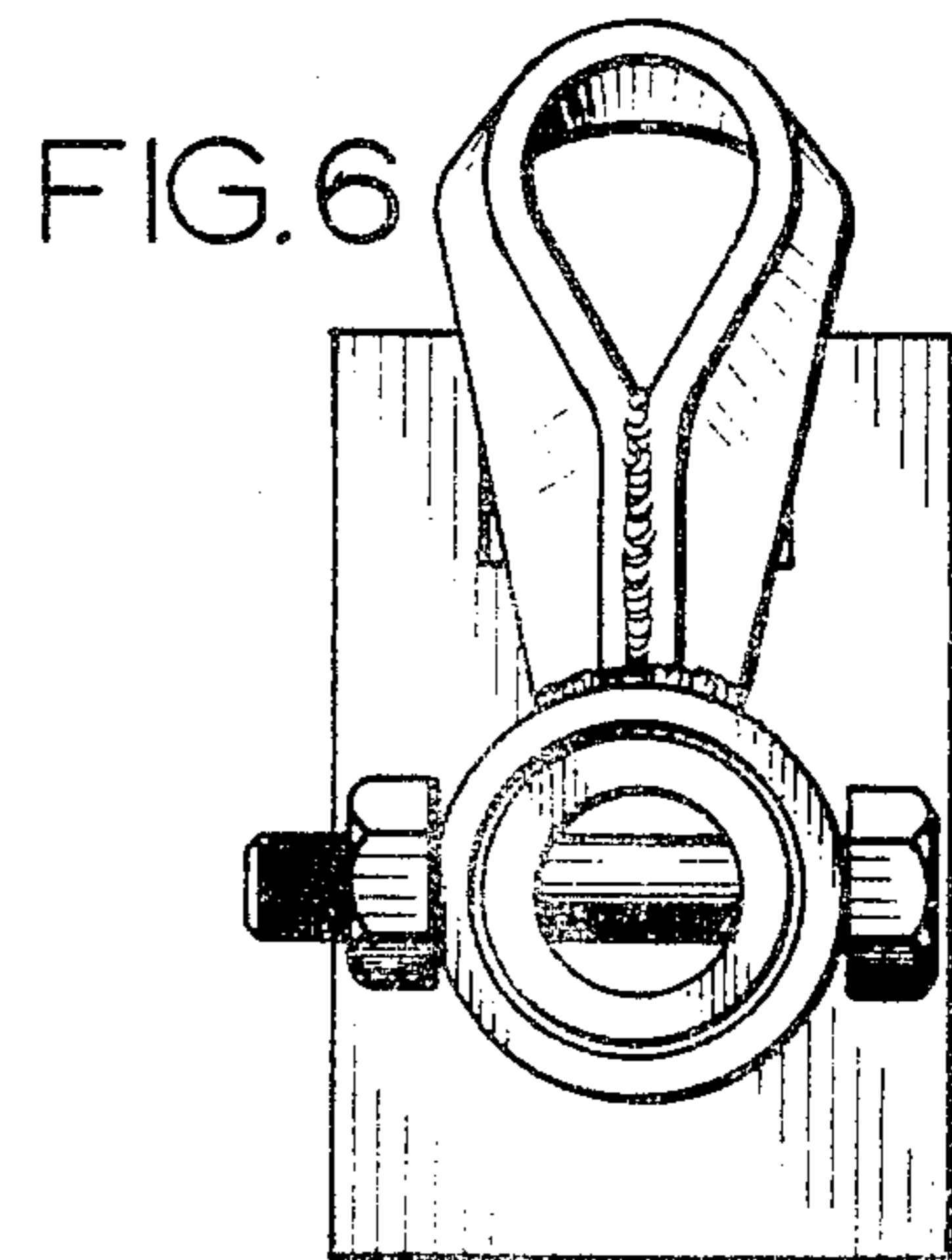


FIG. 6

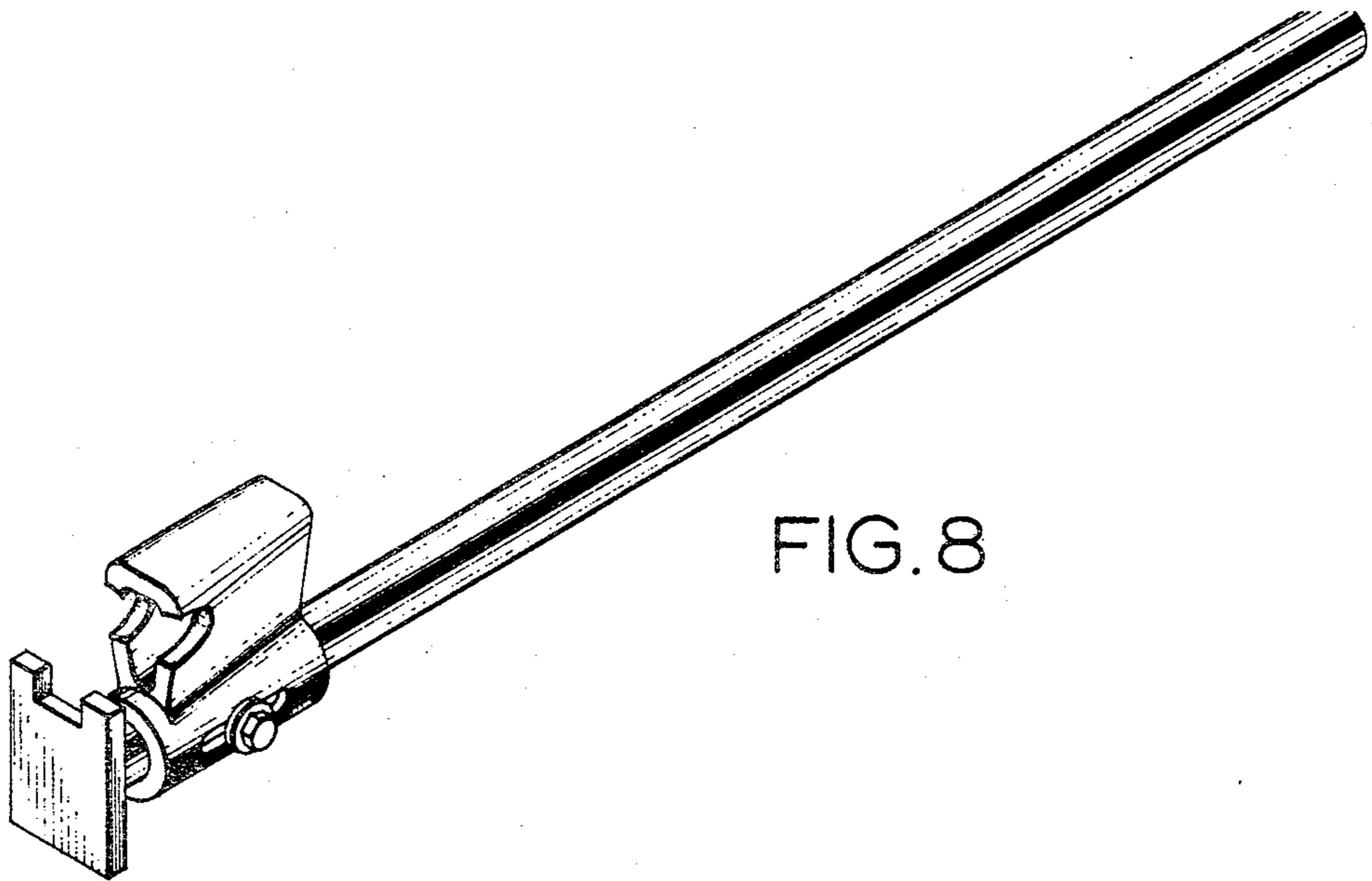


FIG. 8

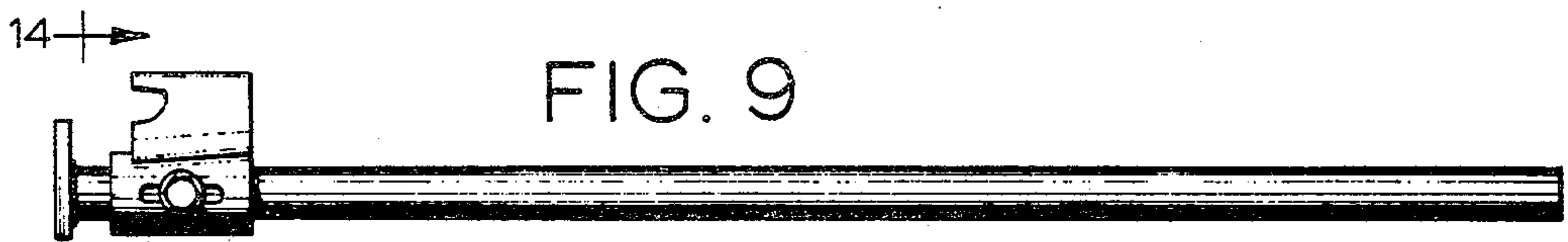


FIG. 9

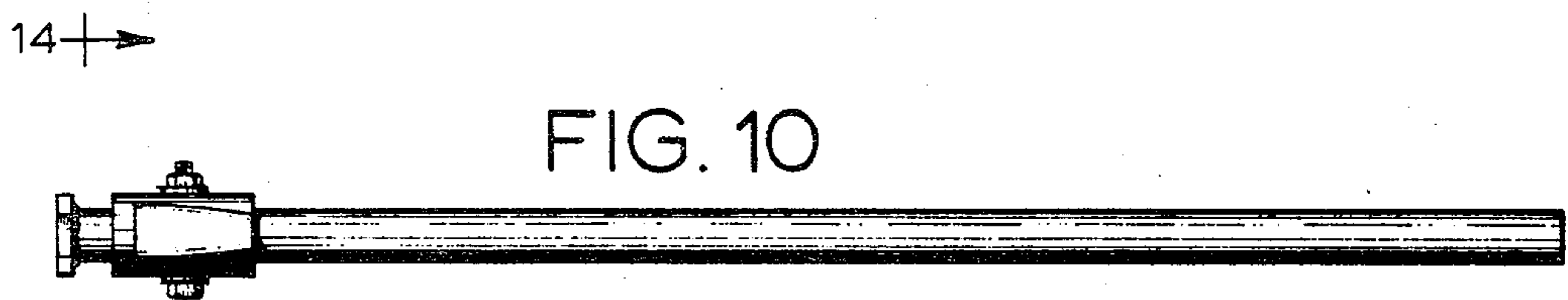


FIG. 10

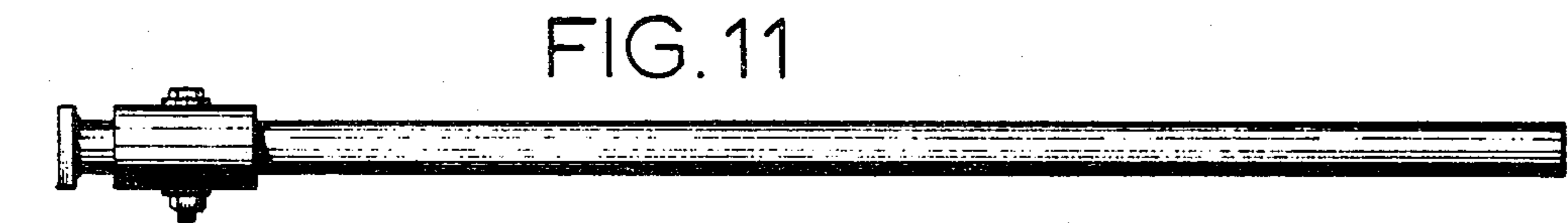


FIG. 11

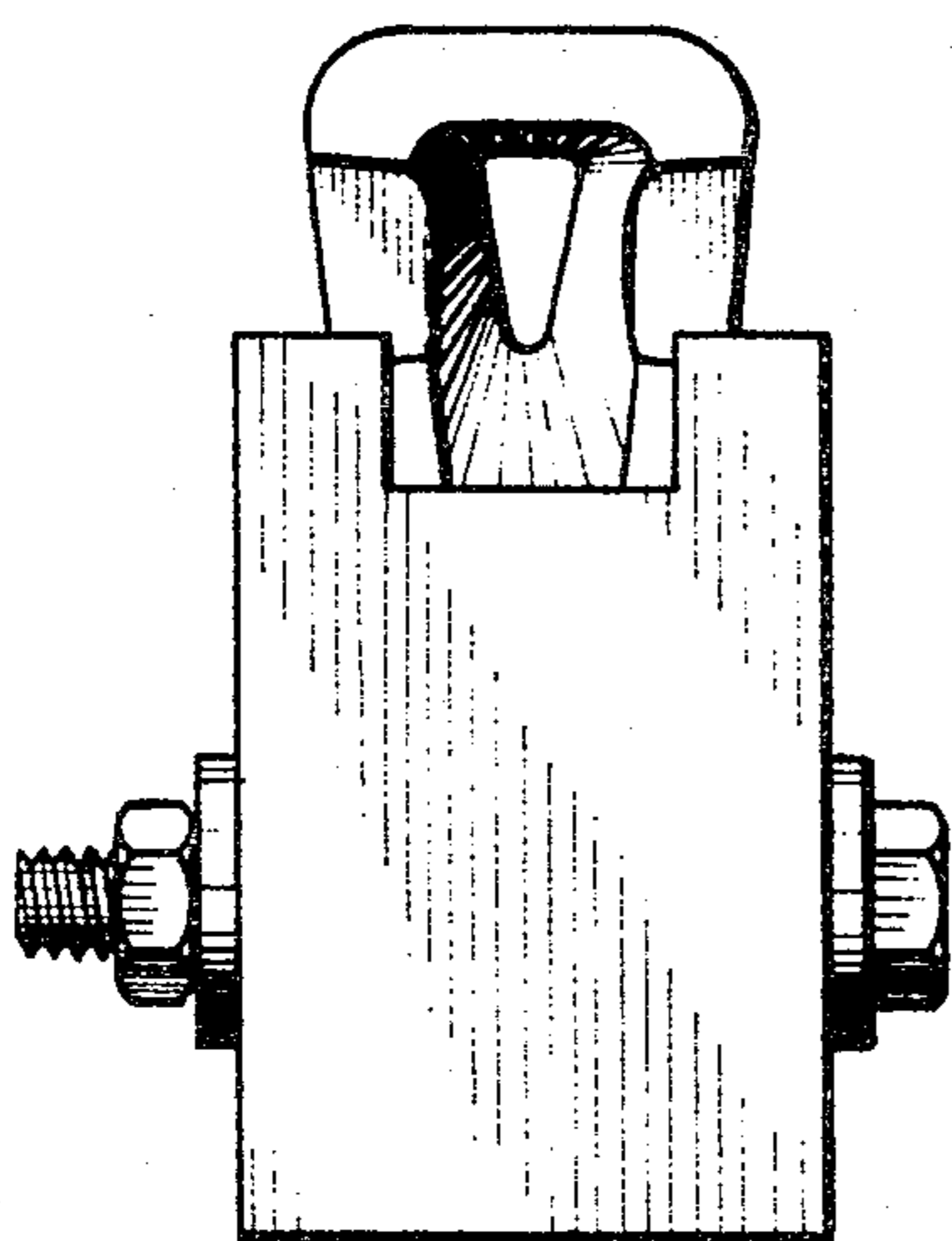


FIG. 12

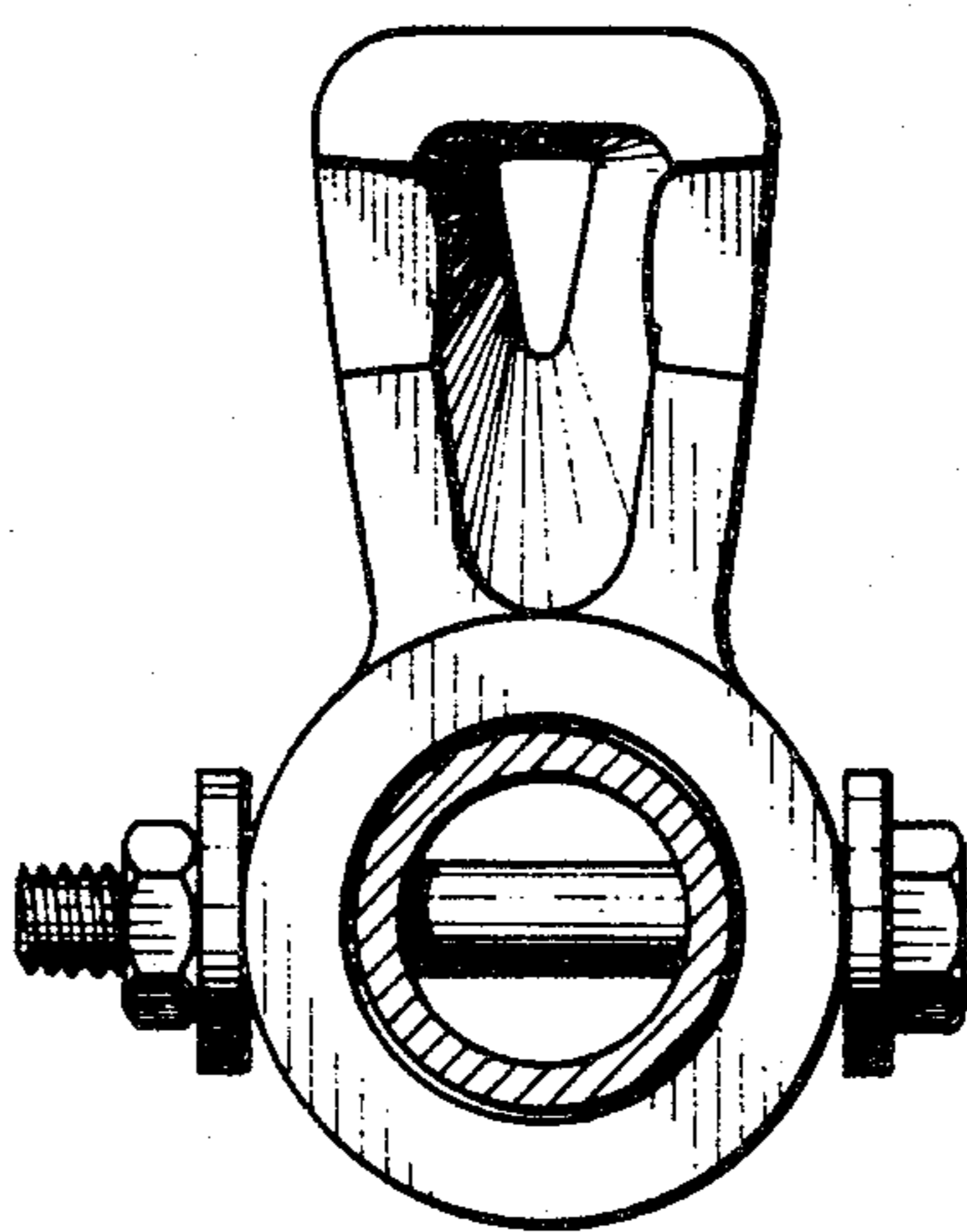


FIG. 14

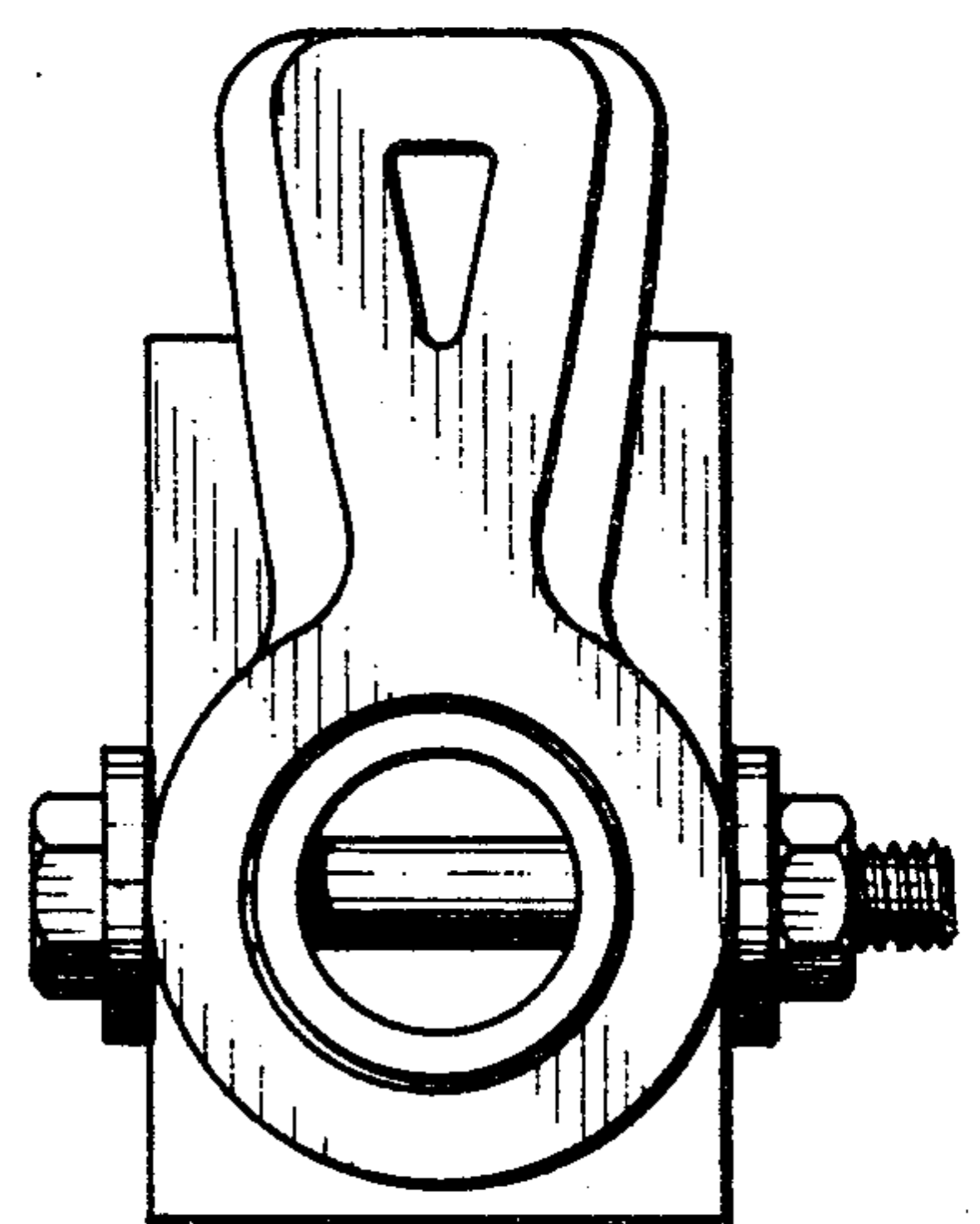


FIG. 13