

[54] FOWL ROASTER RACK

[76] Inventor: Leo C. Pierscinski, 1400 N St., Ste. 5, Sacramento, Calif. 95814

[**] Term: 14 Years

[21] Appl. No.: 526,749

[22] Filed: Aug. 26, 1983

[52] U.S. Cl. D7/409

[58] Field of Search D7/407, 402, 409, 387; 99/419-421 R, 421 H, 421 HH

[56] References Cited

U.S. PATENT DOCUMENTS

D. 253,156	10/1979	Bengloff	D7/409
2,587,133	2/1952	Finizie	99/419
4,027,583	6/1977	Spanek et al.	D7/409
4,407,189	10/1983	Bentson	99/421 R
4,421,017	12/1983	Ross	99/421 R

Primary Examiner—Wallace R. Burke
Assistant Examiner—Lynn Wilder
Attorney, Agent, or Firm—Lothrop & West

[57] CLAIM

The ornamental design for a fowl roaster rack, as shown and described.

DESCRIPTION

FIG. 1 is a front perspective view of a fowl roaster rack, showing my new design;
 FIG. 2 is a front elevational view thereof;
 FIG. 3 is a right side elevational view thereof;
 FIG. 4 is a rear elevational view thereof;
 FIG. 5 is a left side elevational view thereof;
 FIG. 6 is a bottom plan view thereof;
 FIG. 7 is a top plan view thereof;
 FIG. 8 is a front perspective view showing a modified form of FIG. 1 with the clamping bolts and nuts in inverted position;
 FIG. 9 is a front elevational view thereof;
 FIG. 10 is a right side elevational view thereof;
 FIG. 11 is a rear elevational view thereof;
 FIG. 12 is a left side elevational view thereof;
 FIG. 13 is a bottom plan view thereof; and
 FIG. 14 is a top plan view thereof.

The broken lines in FIGS. 1-5 and 8-12 represent a fowl skewered in roasting position and the broken lines in FIGS. 7 and 14 represent fragments of four rods of a roasting oven grill to which the two clamping plates are secured. The broken lines are for informational purposes only and form no part of the design.

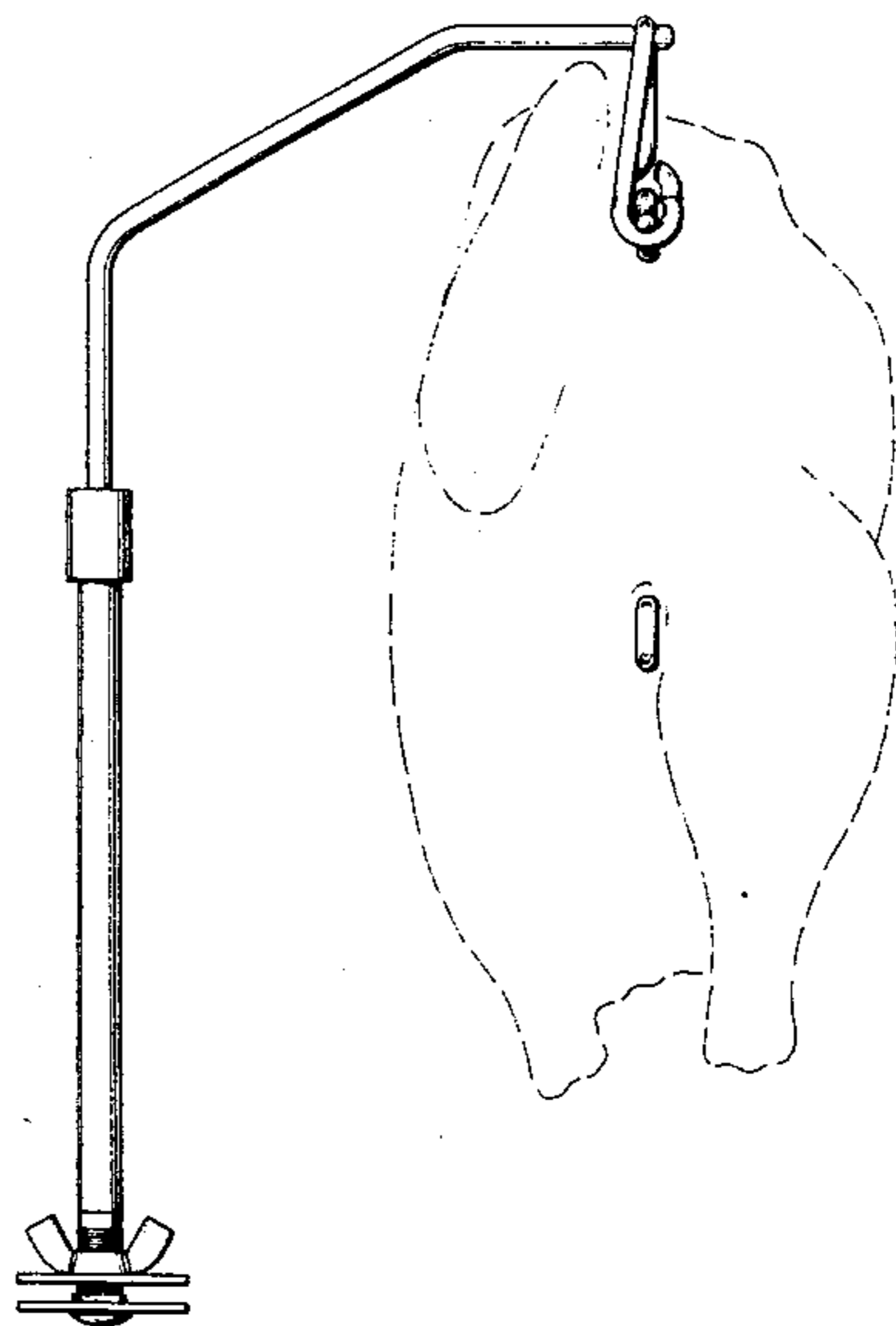
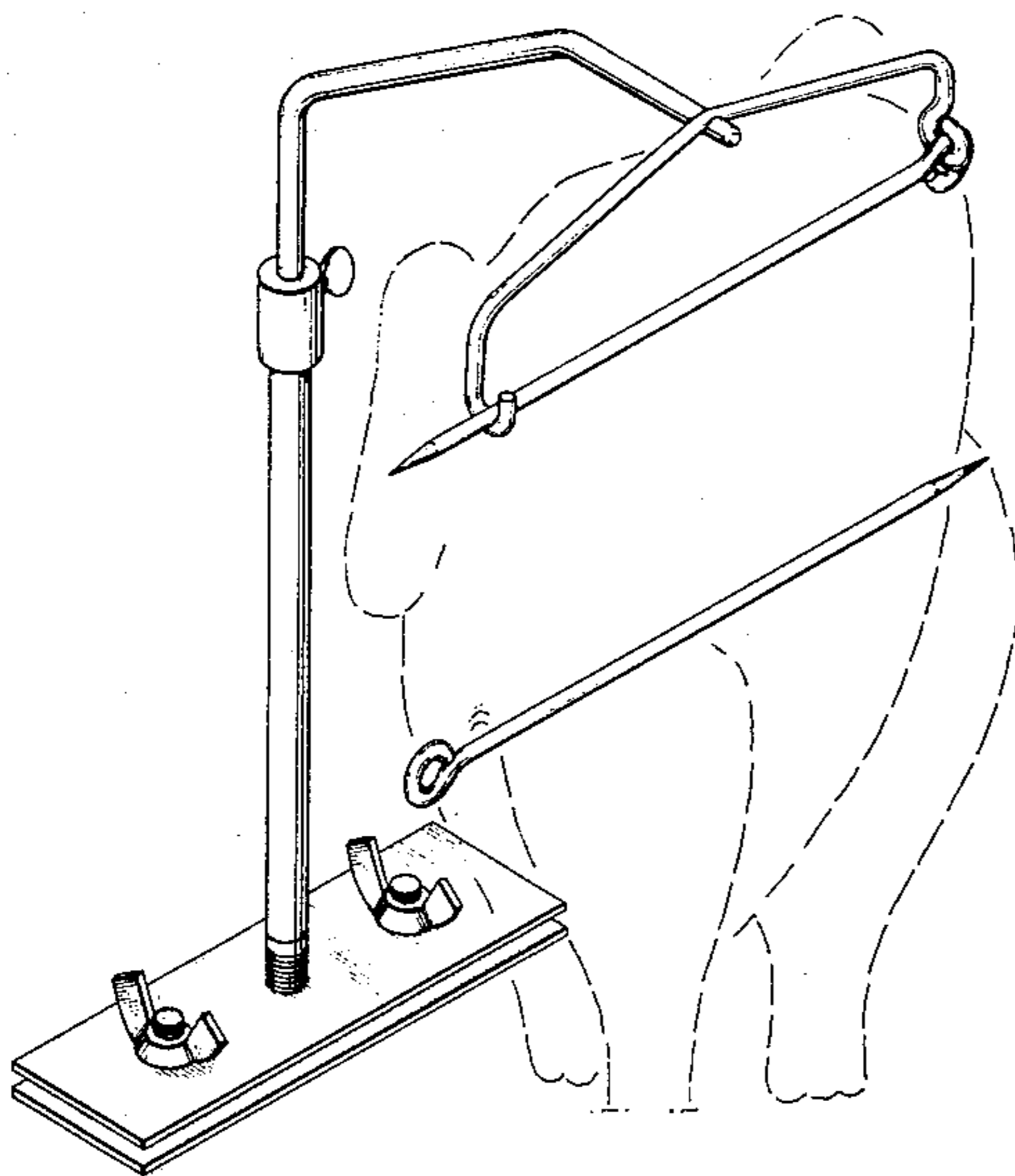


FIG-1

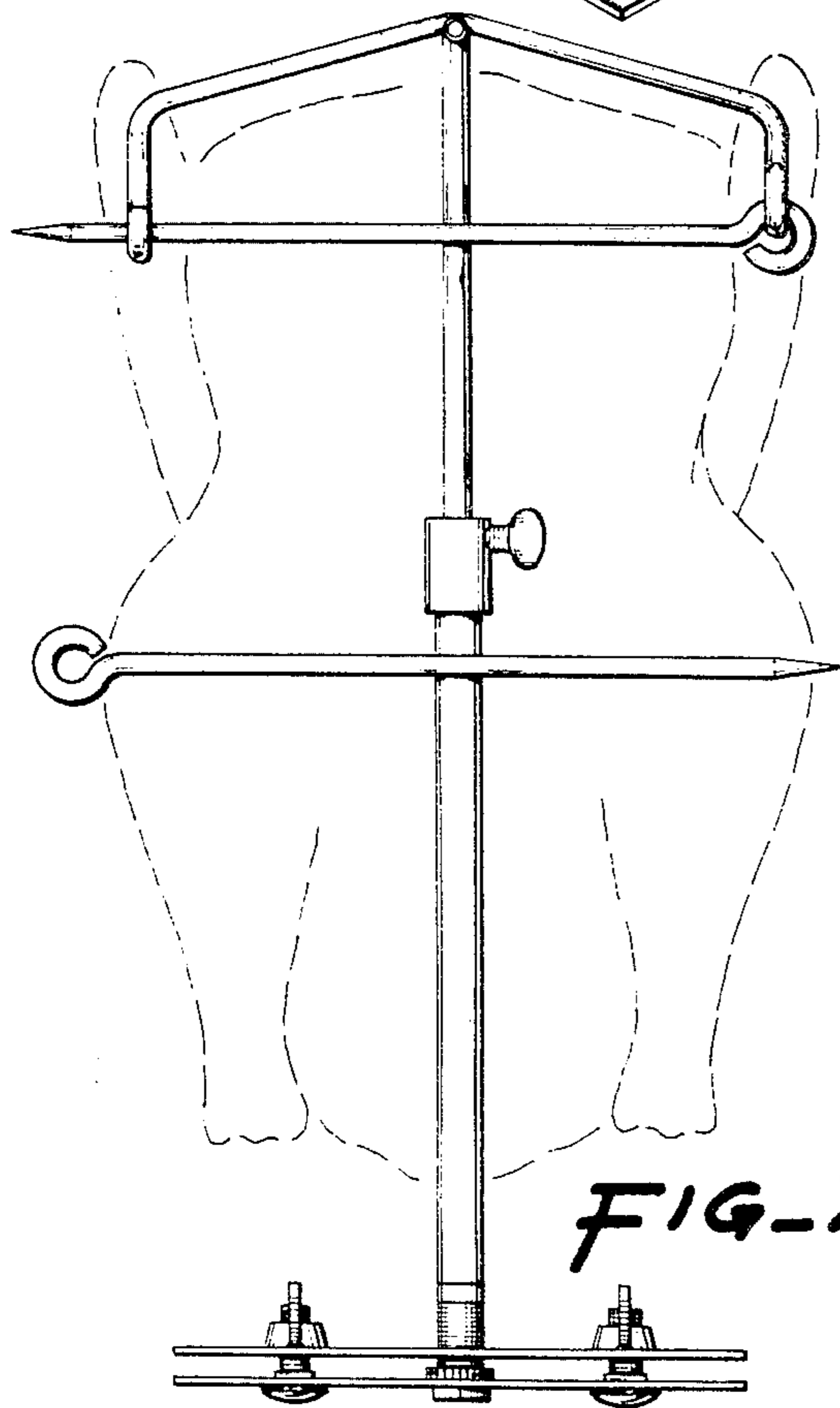
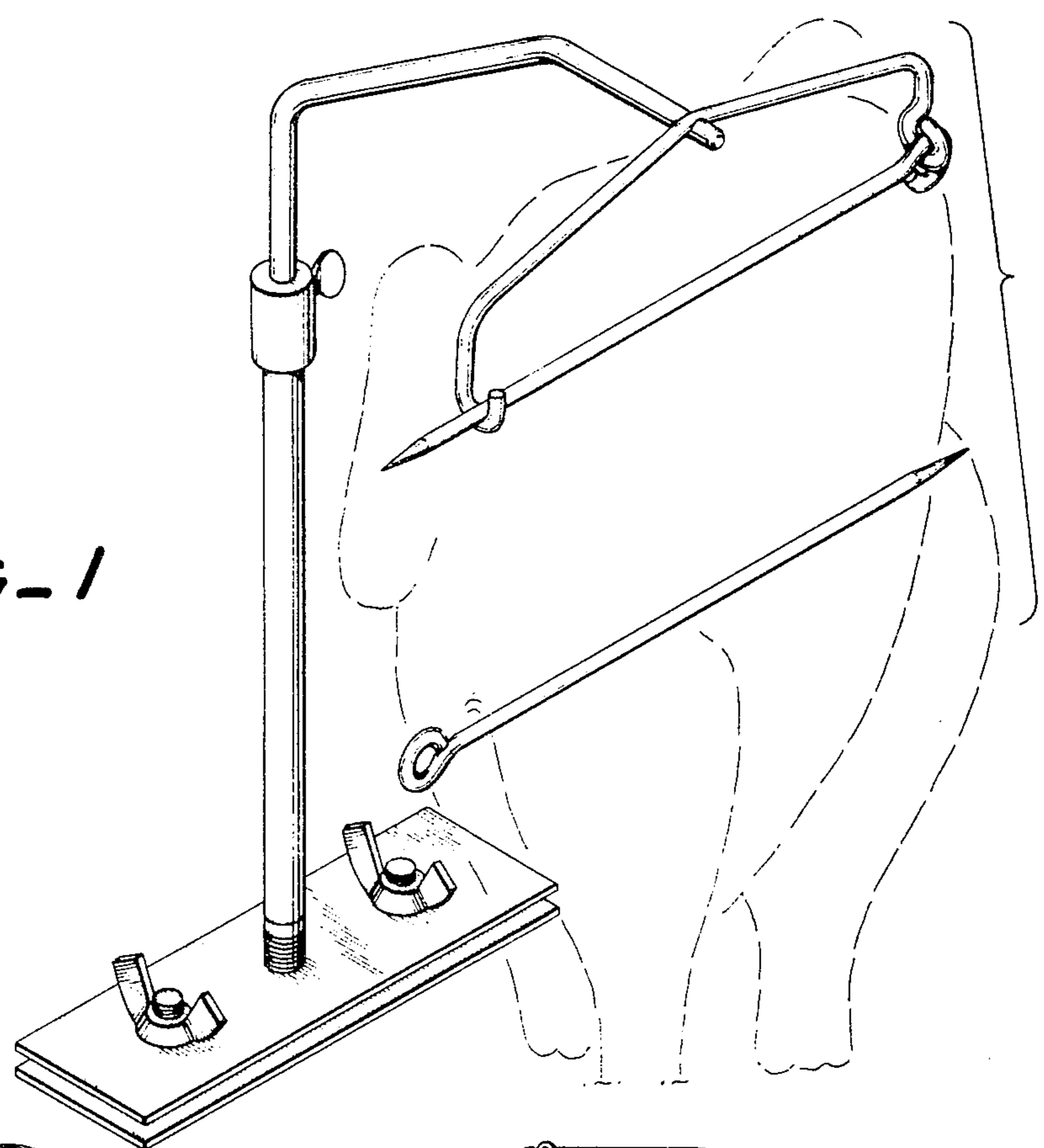


FIG-2

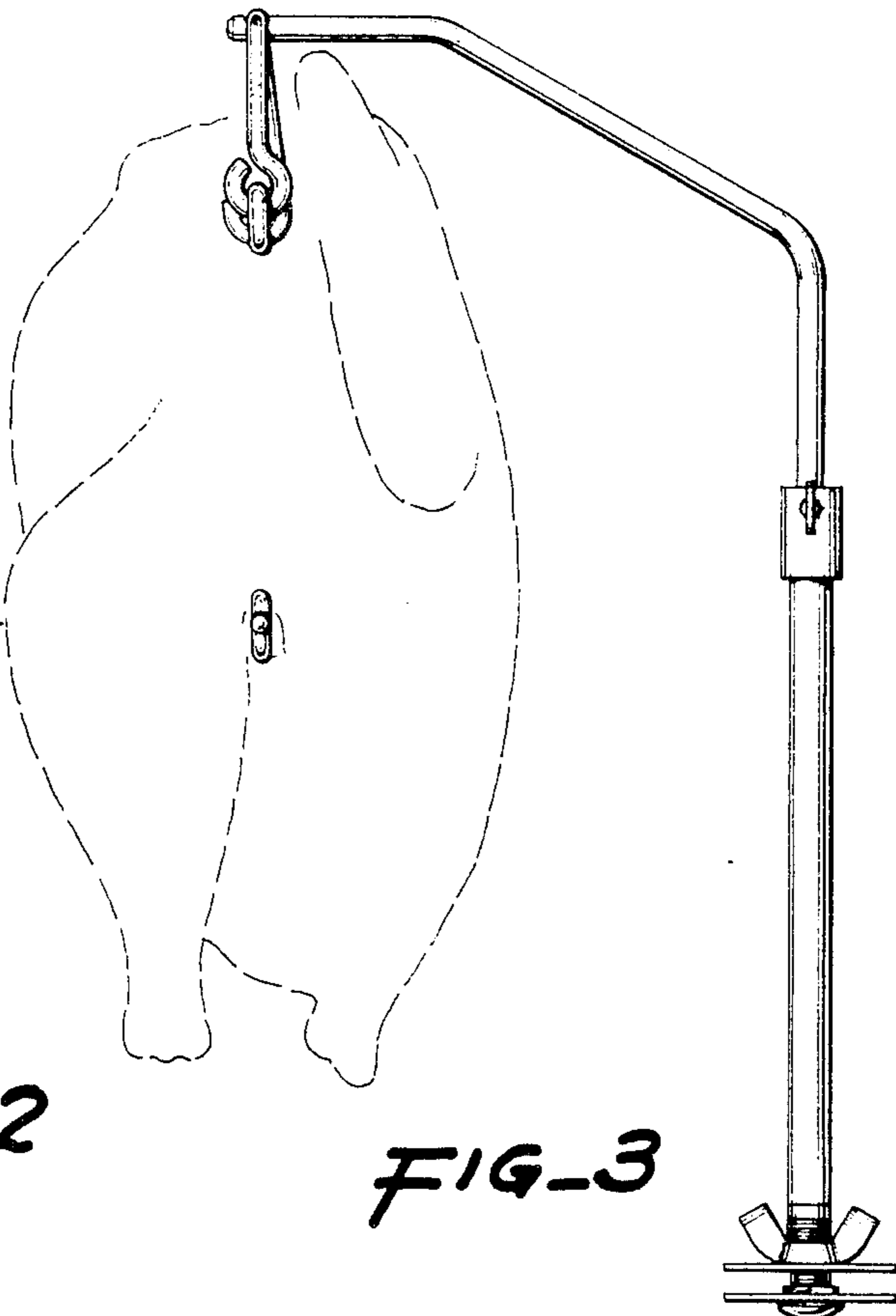


FIG-3

FIG-4

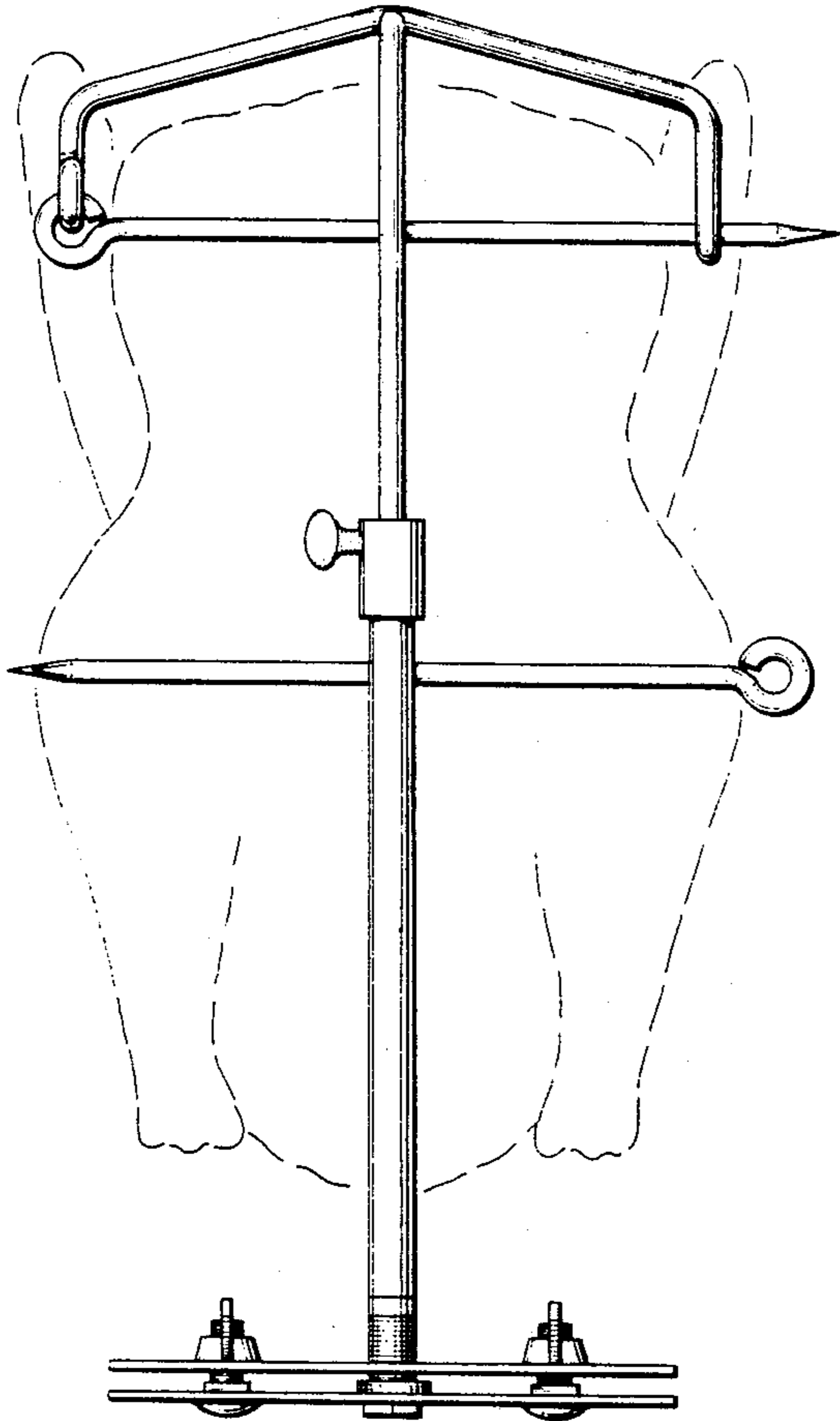


FIG-5

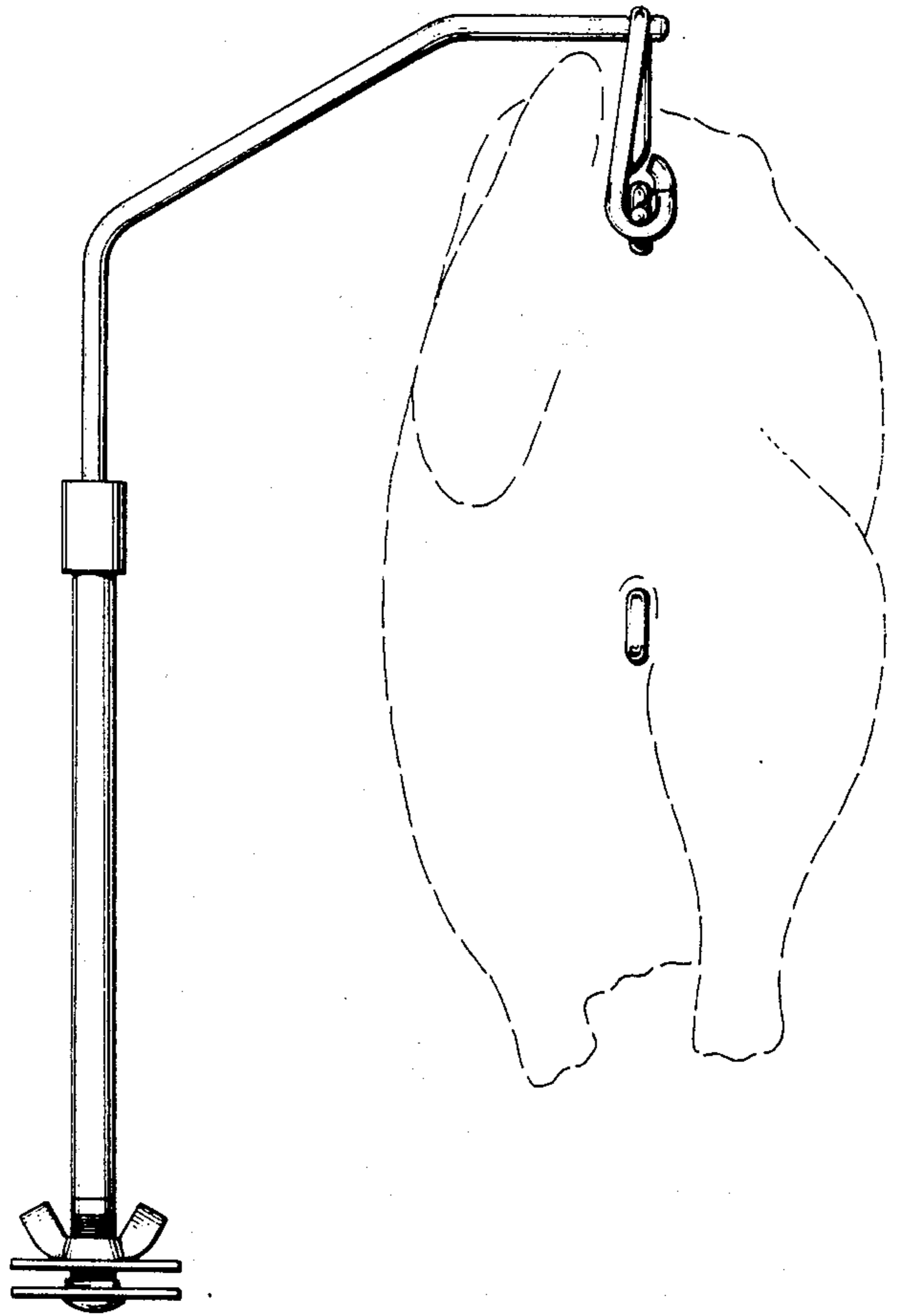


FIG-6

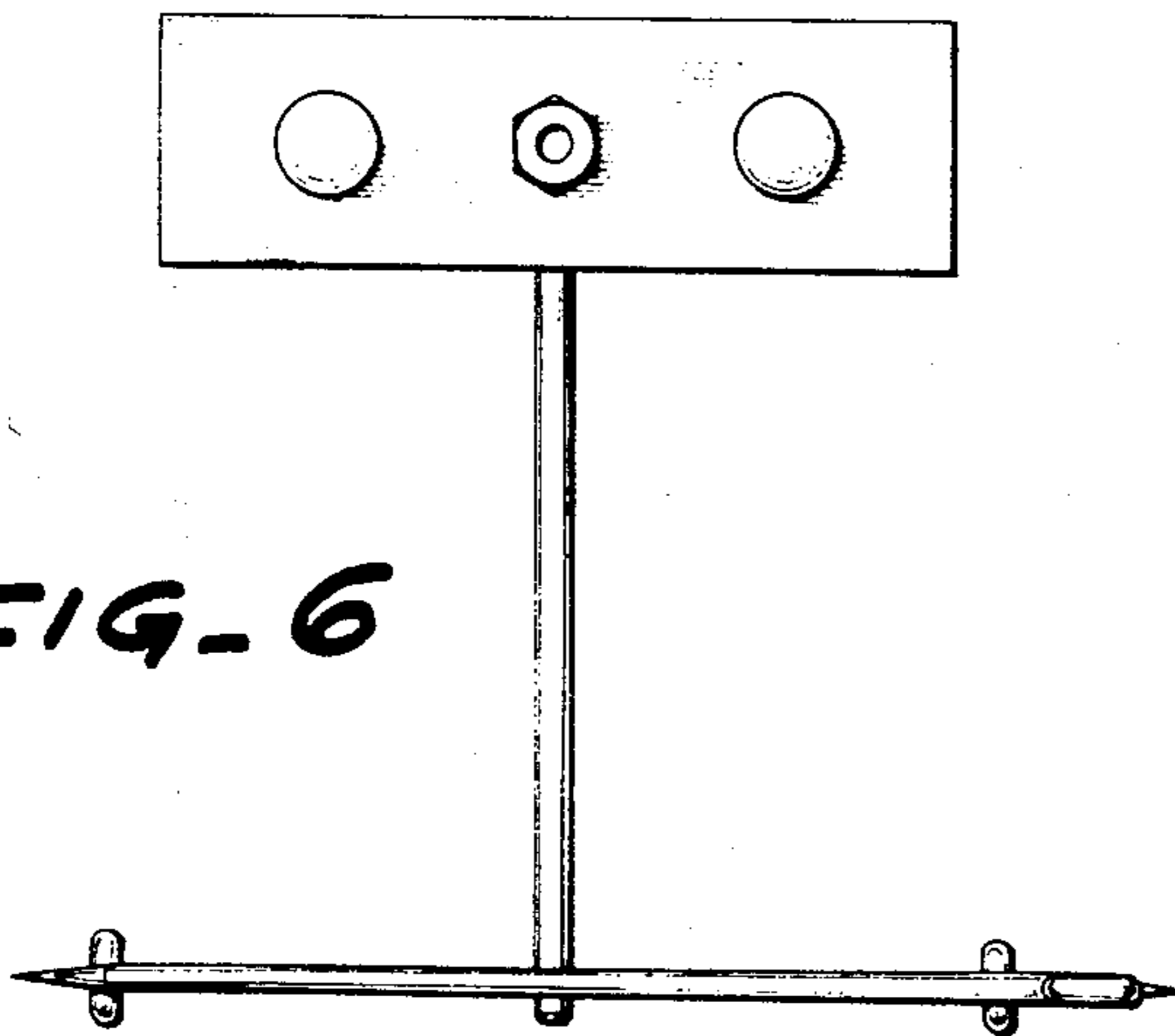


FIG-7

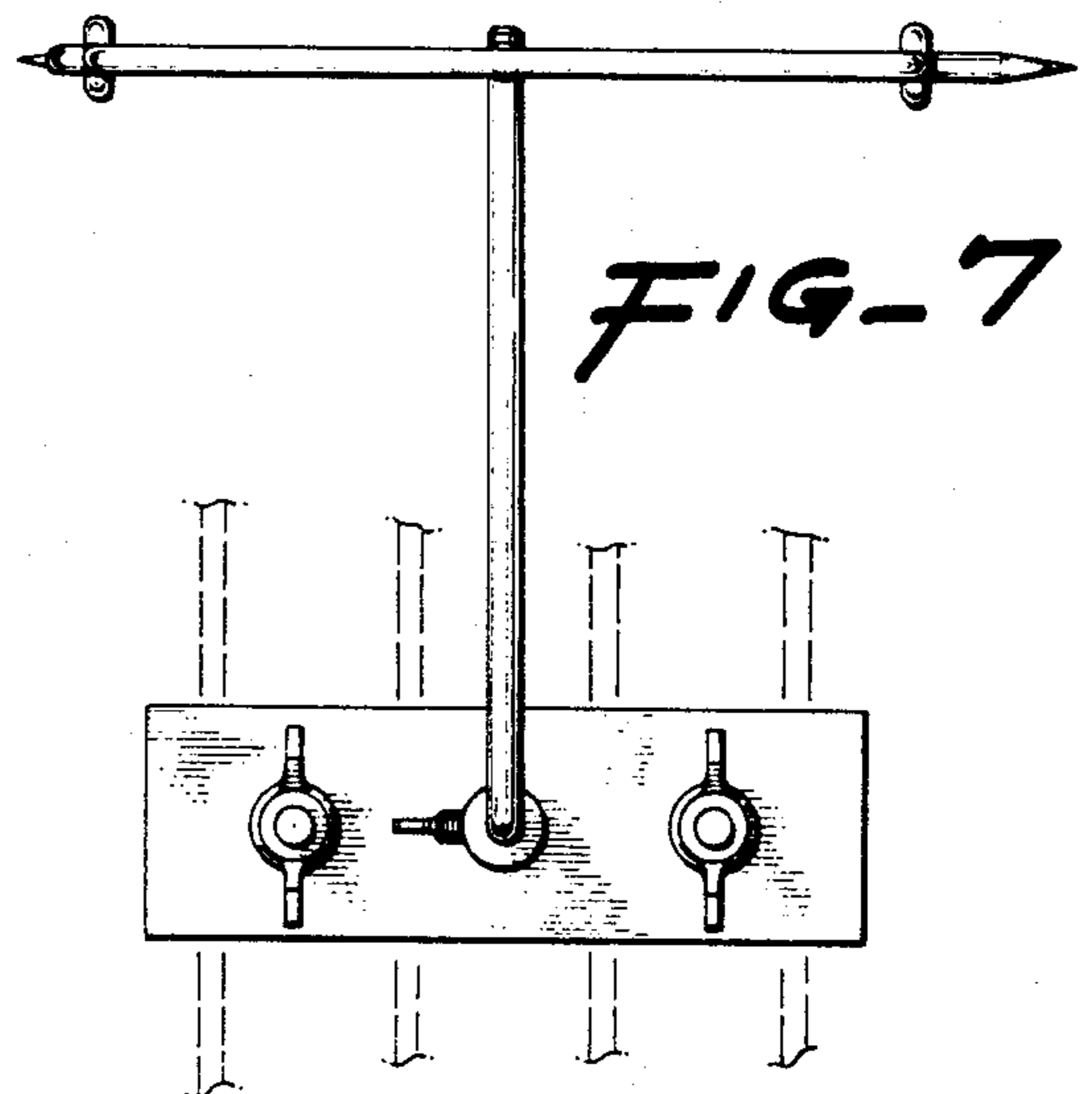


FIG-8

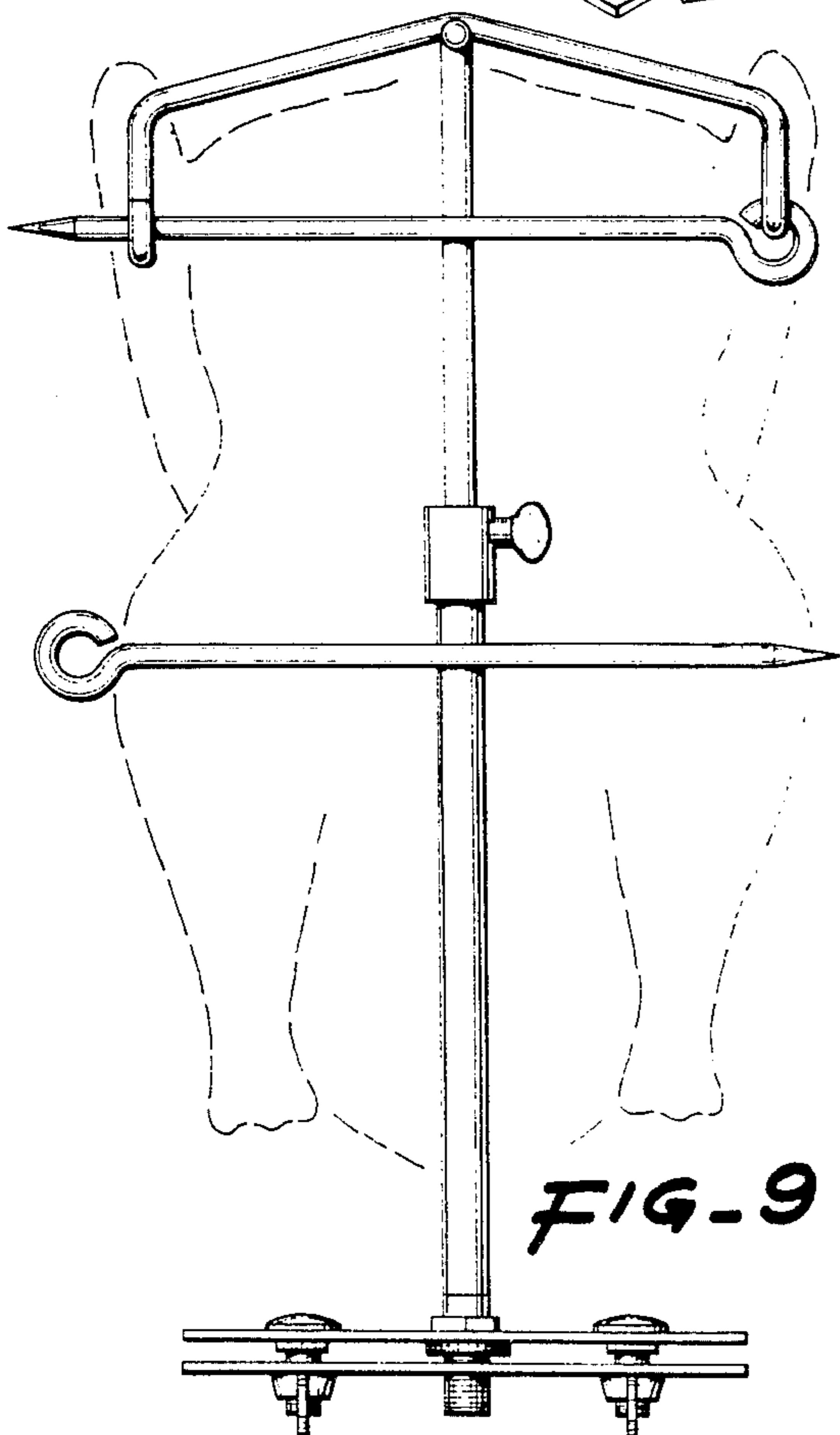
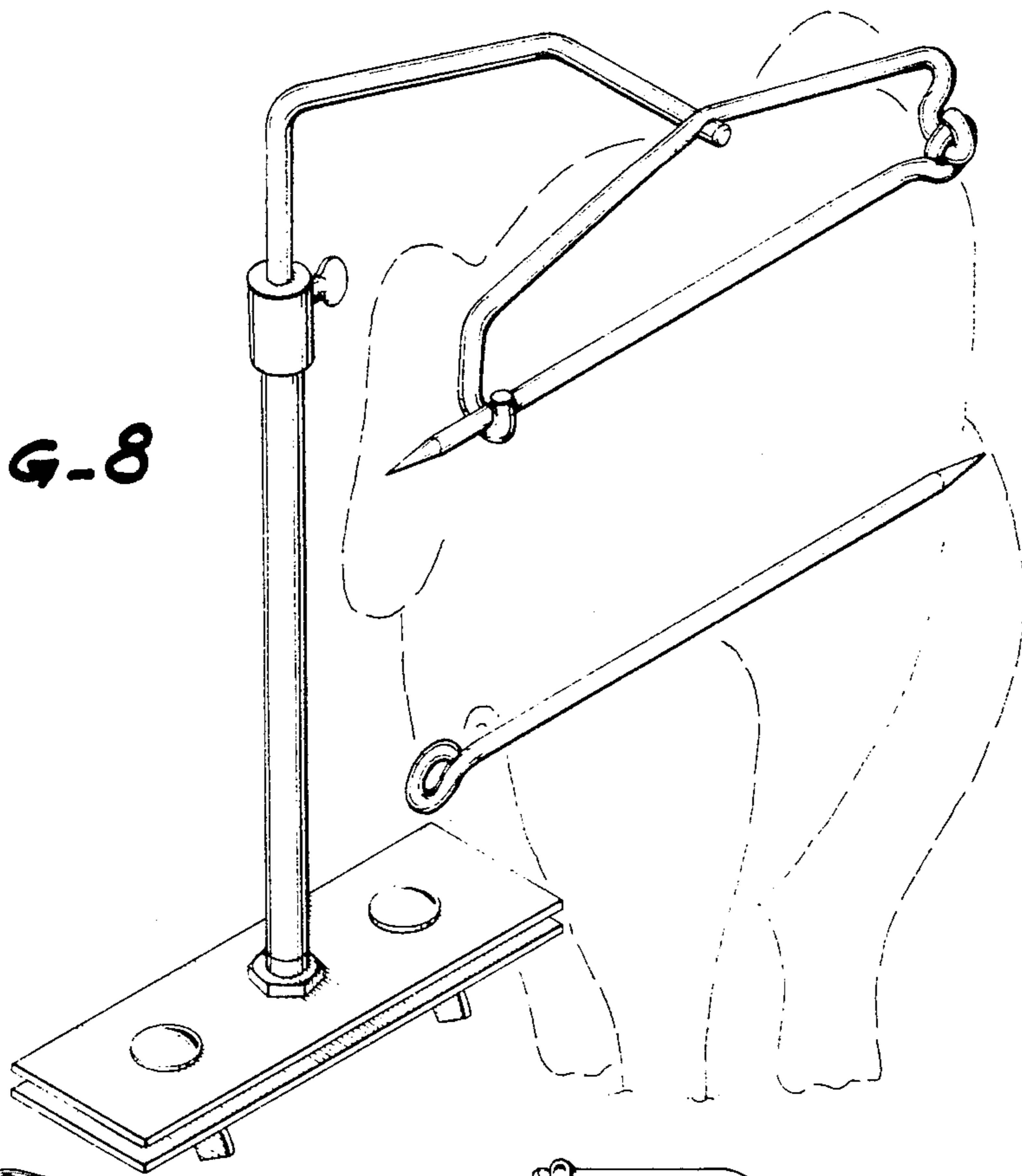


FIG-9

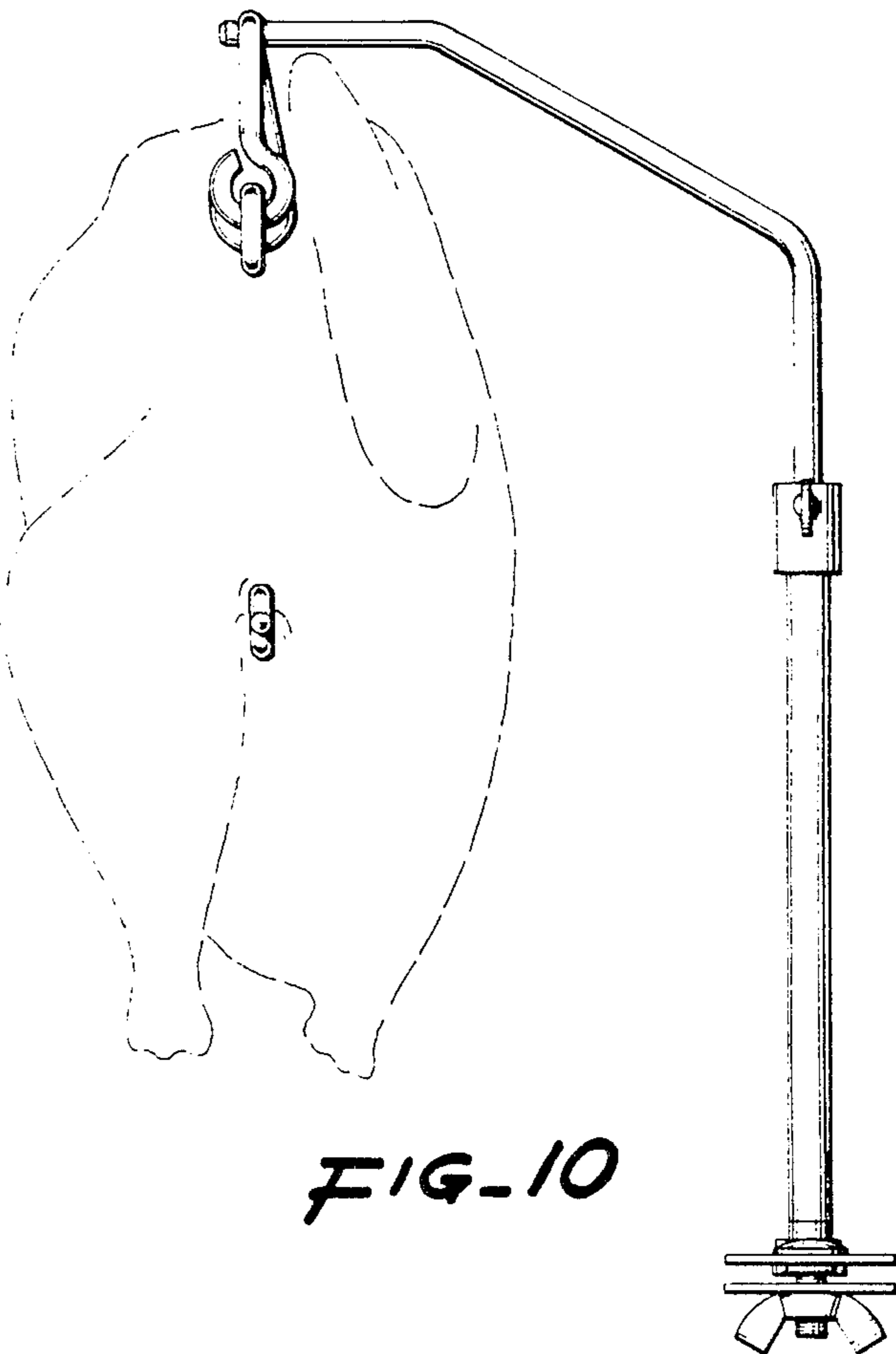


FIG-10

FIG-11

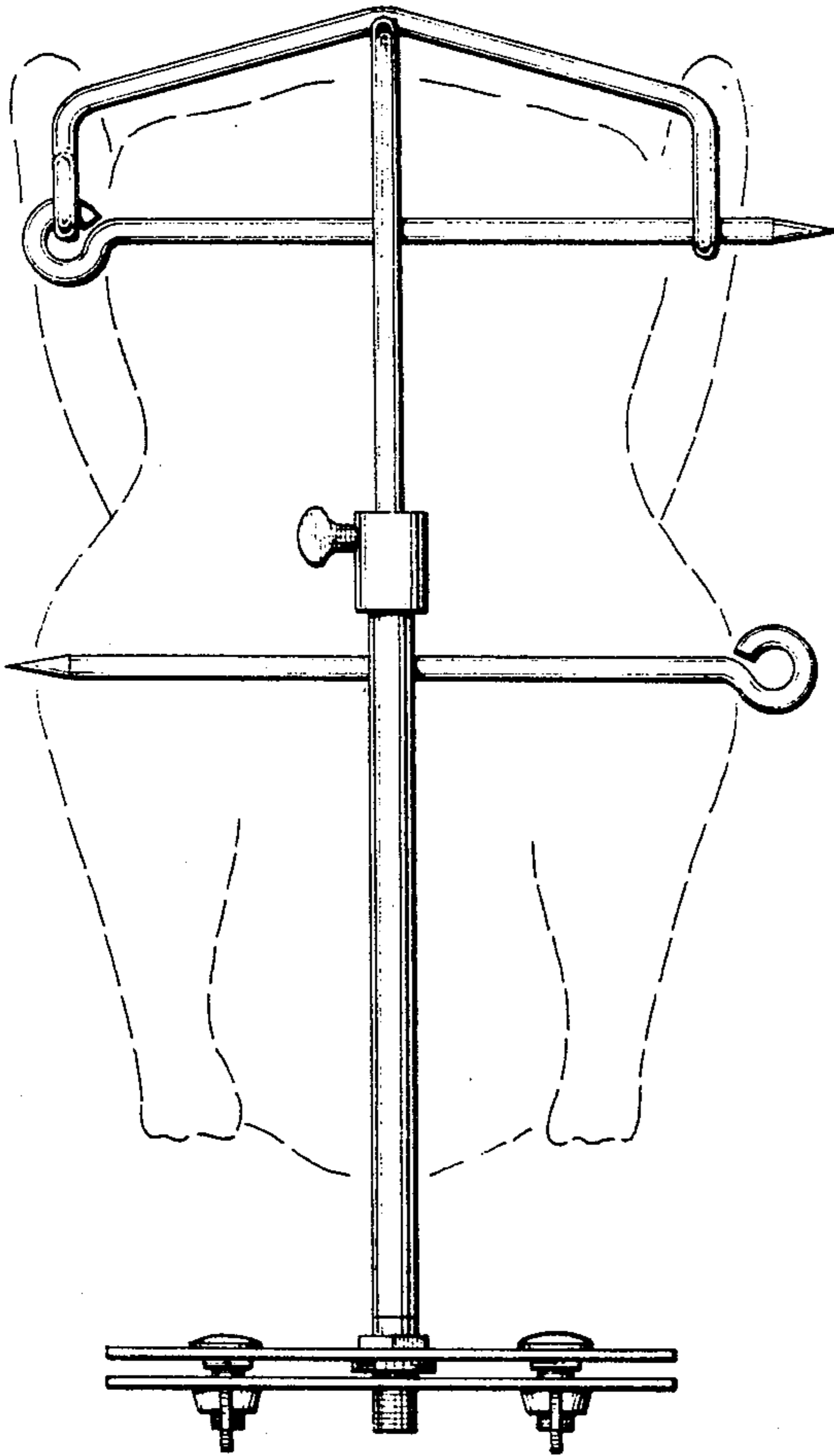


FIG-12

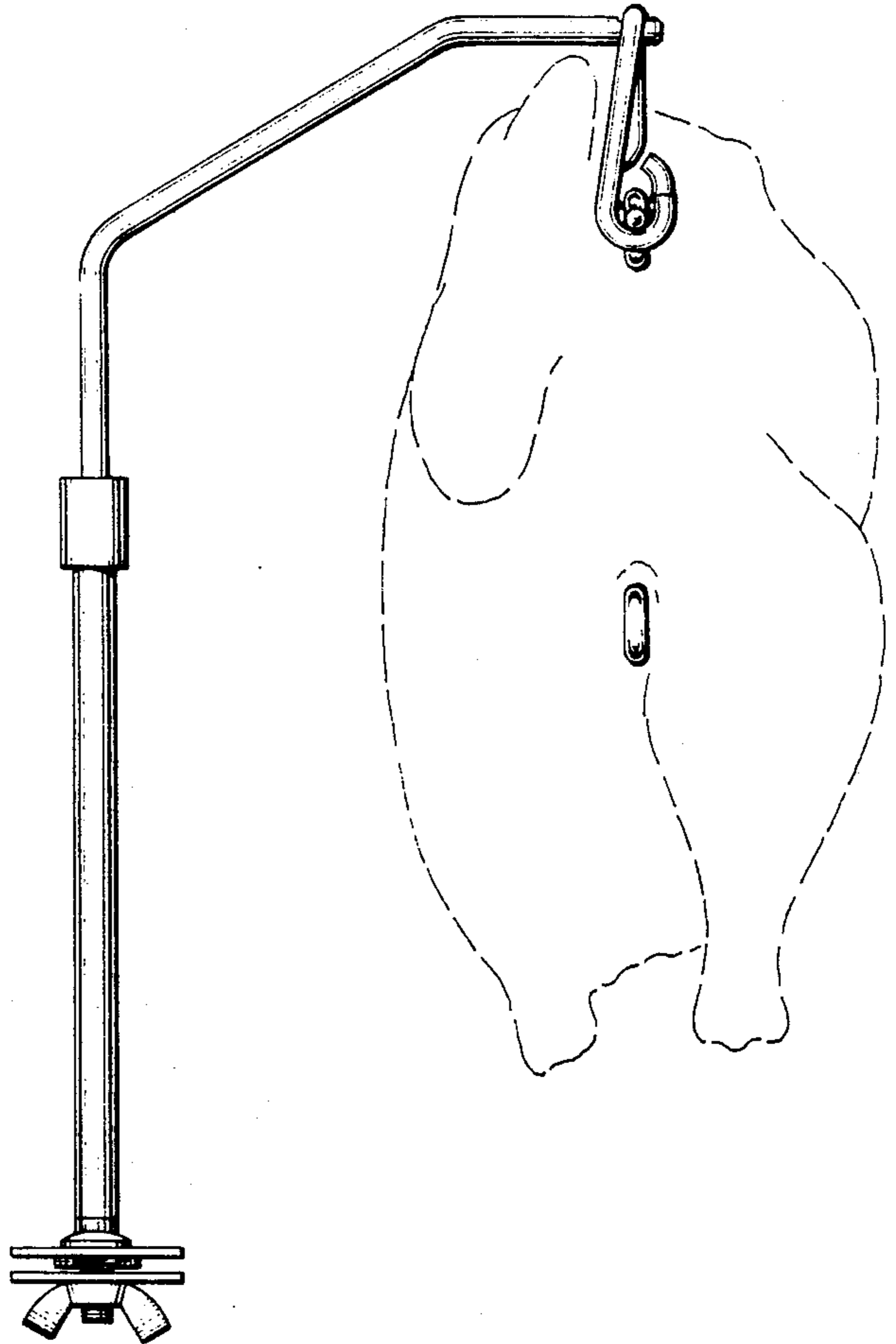


FIG-14

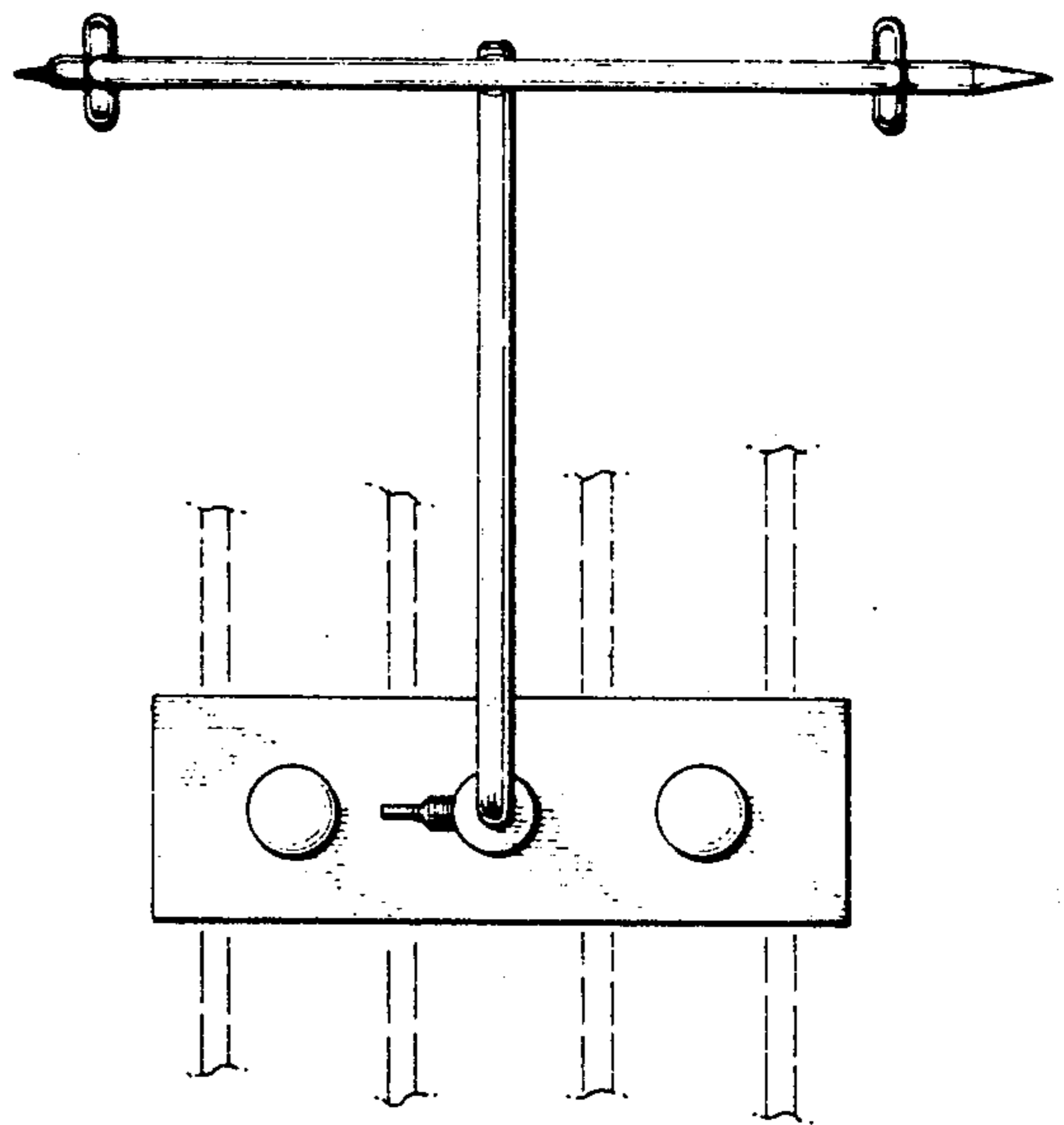


FIG-13

