

[54] COMBINED INSULATED FOOD SERVICE TRAY AND COVER

[75] Inventor: Edgar Otto, Scotch Plains, N.J.

[73] Assignee: Therma-Tray Corporation, South Plainfield, N.J.

[**] Term: 14 Years

[21] Appl. No.: 473,075

[22] Filed: Mar. 7, 1983

[52] U.S. Cl. D7/16; D7/38; D9/347

[58] Field of Search D7/3, 21, 38, 16; D9/341, 345, 347; D3/30.1, 74

[56] References Cited

U.S. PATENT DOCUMENTS

D. 249,774	10/1978	Seager	D7/38
D. 249,930	10/1978	Seager	D7/38 X
D. 250,315	11/1978	Otto	D7/38
D. 268,317	3/1983	Wyatt, Jr.	D7/38
D. 271,932	12/1983	Mosley	D9/347 X
3,799,386	3/1974	Madalin et al.	D7/38 X

FOREIGN PATENT DOCUMENTS

2078095 1/1982 United Kingdom D7/38 X

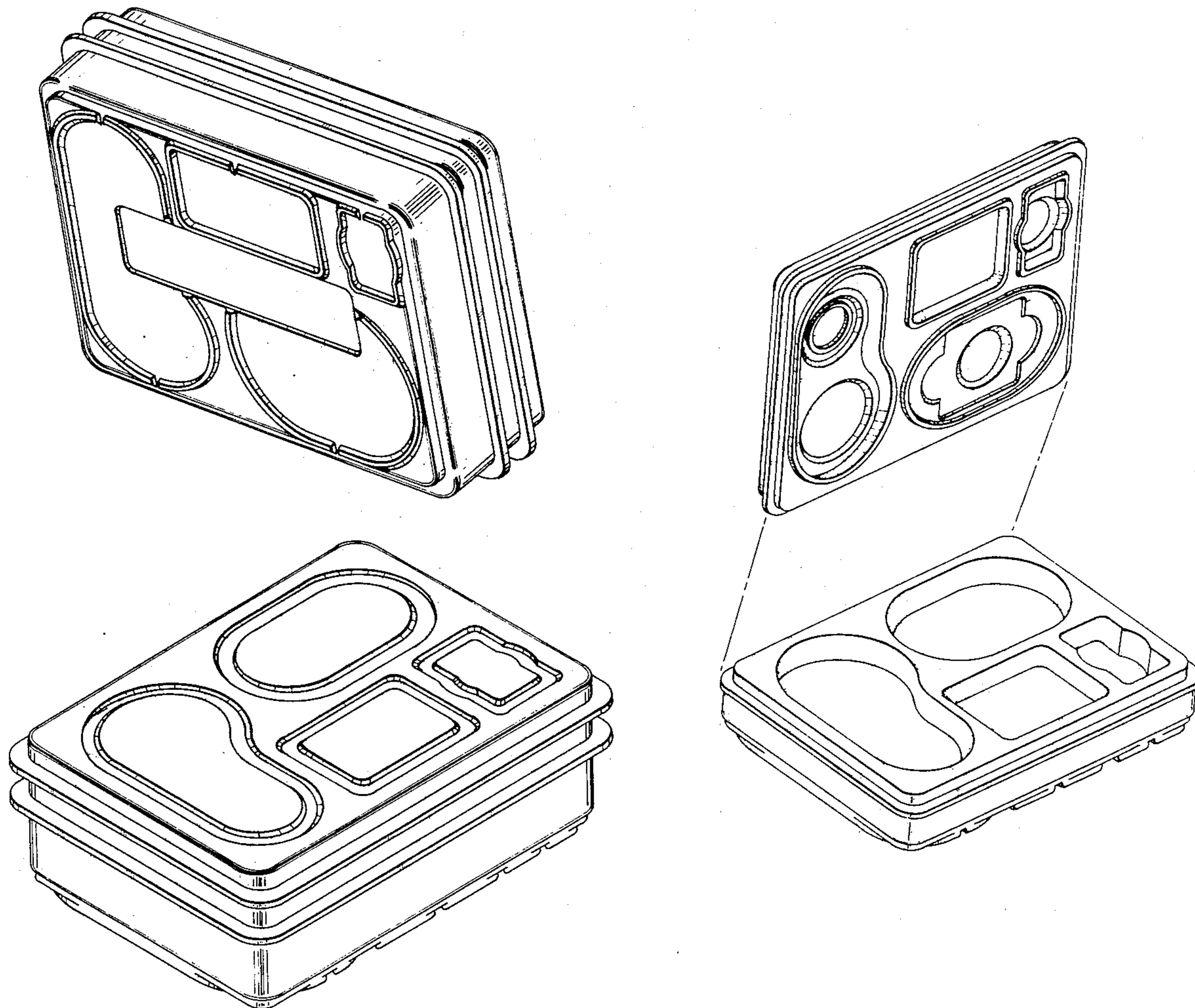
Primary Examiner—Winifred E. Herrmann
Attorney, Agent, or Firm—Curtis, Morris & Safford

[57] CLAIM

The ornamental design for a combined insulated food service tray and cover, as shown.

DESCRIPTION

FIG. 1 is a top, left side, and front perspective view of a combined insulated food service tray and cover showing my new design;
 FIG. 2 is a bottom, right side, and perspective view thereof;
 FIG. 3 is an exploded perspective view showing the interior of the cover and tray thereof;
 FIG. 4 is a top plan view thereof on an enlarged scale;
 FIG. 5 is a bottom plan view thereof on an enlarged scale;
 FIG. 6 is a front elevational view thereof on an enlarged scale;
 FIG. 7 is a rear elevational view thereof on an enlarged scale;
 FIG. 8 is a left side elevational view of FIG. 4; and
 FIG. 9 is a right side elevational view of FIG. 4.



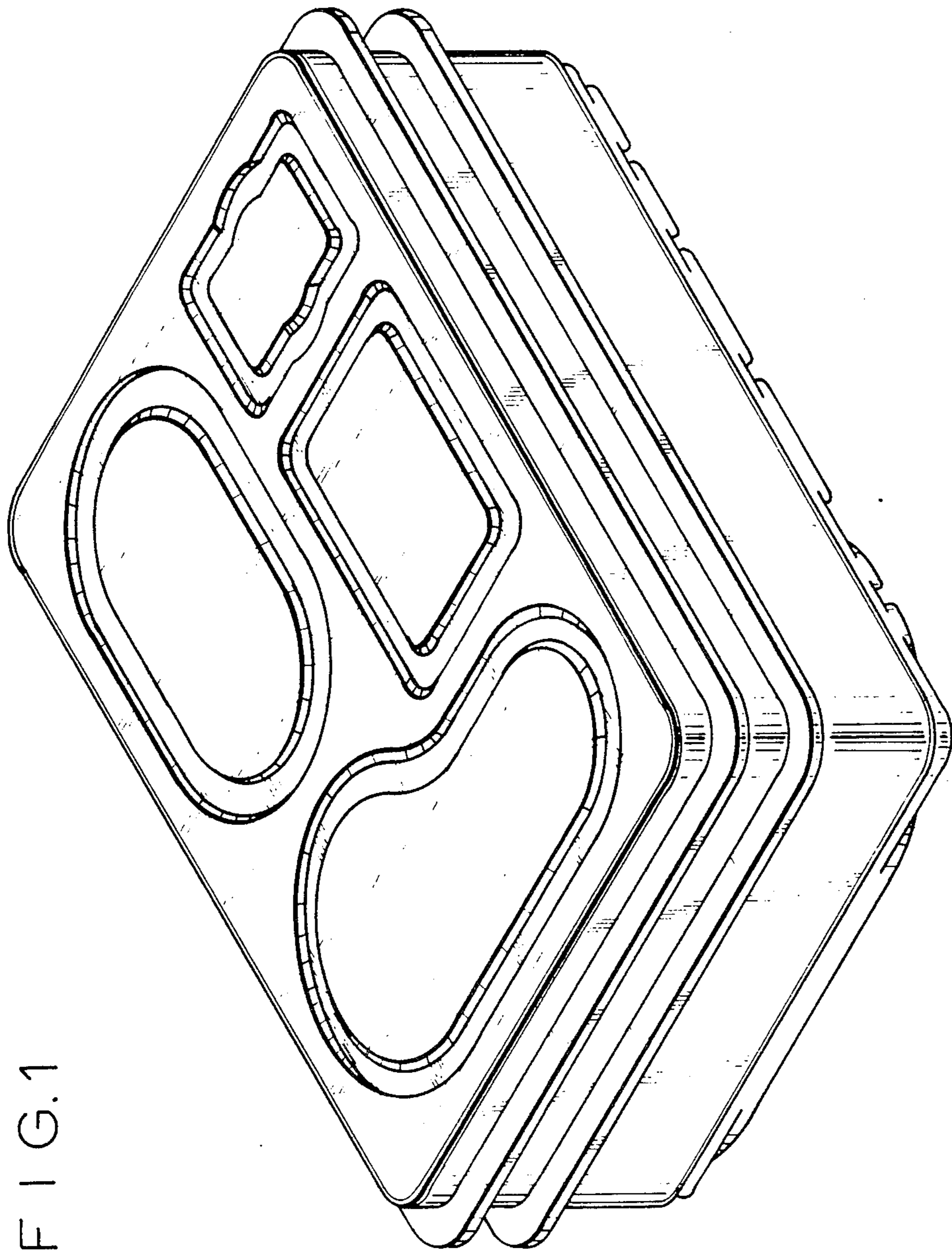


FIG. 1

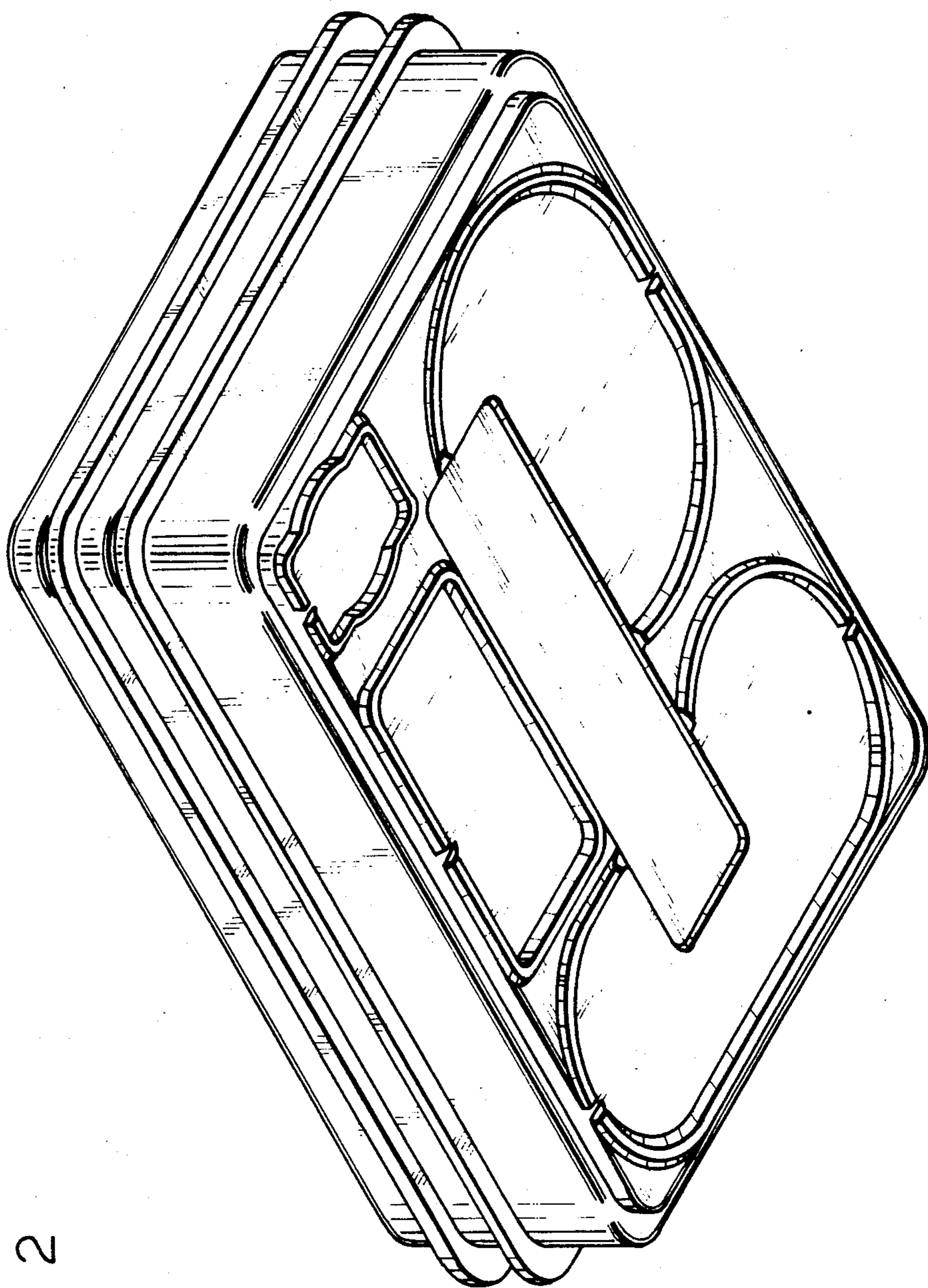
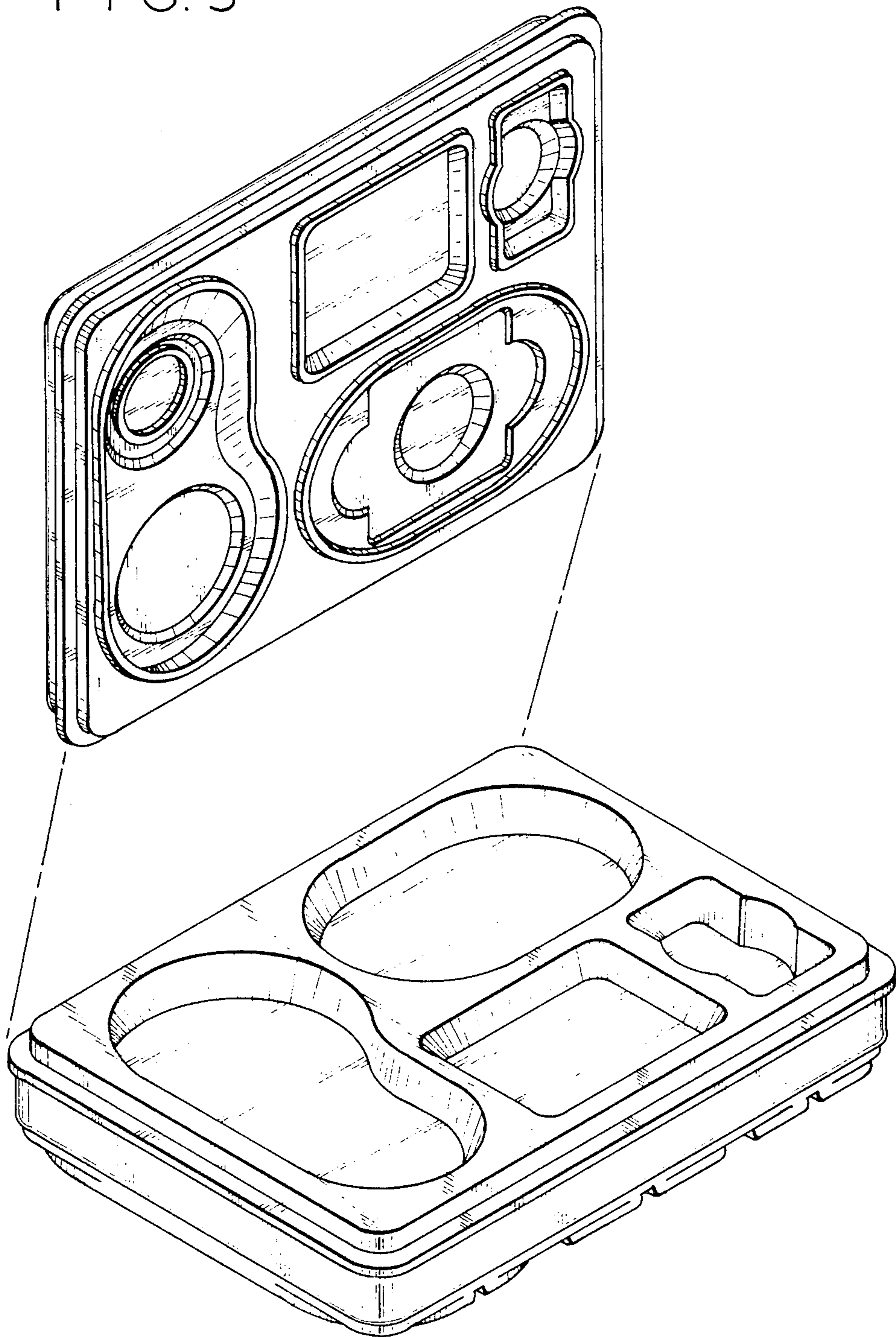


FIG. 2

FIG. 3



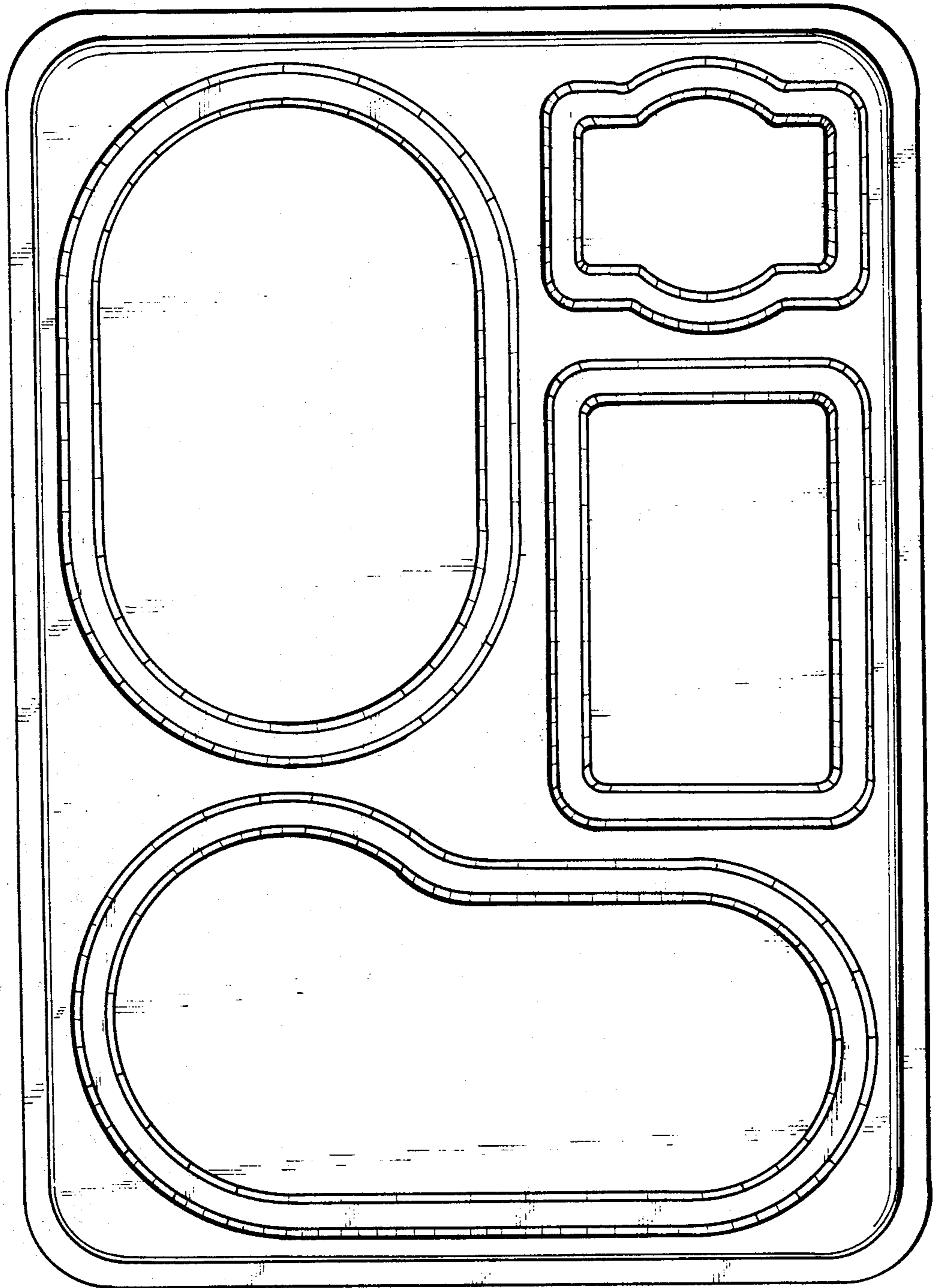


FIG.4

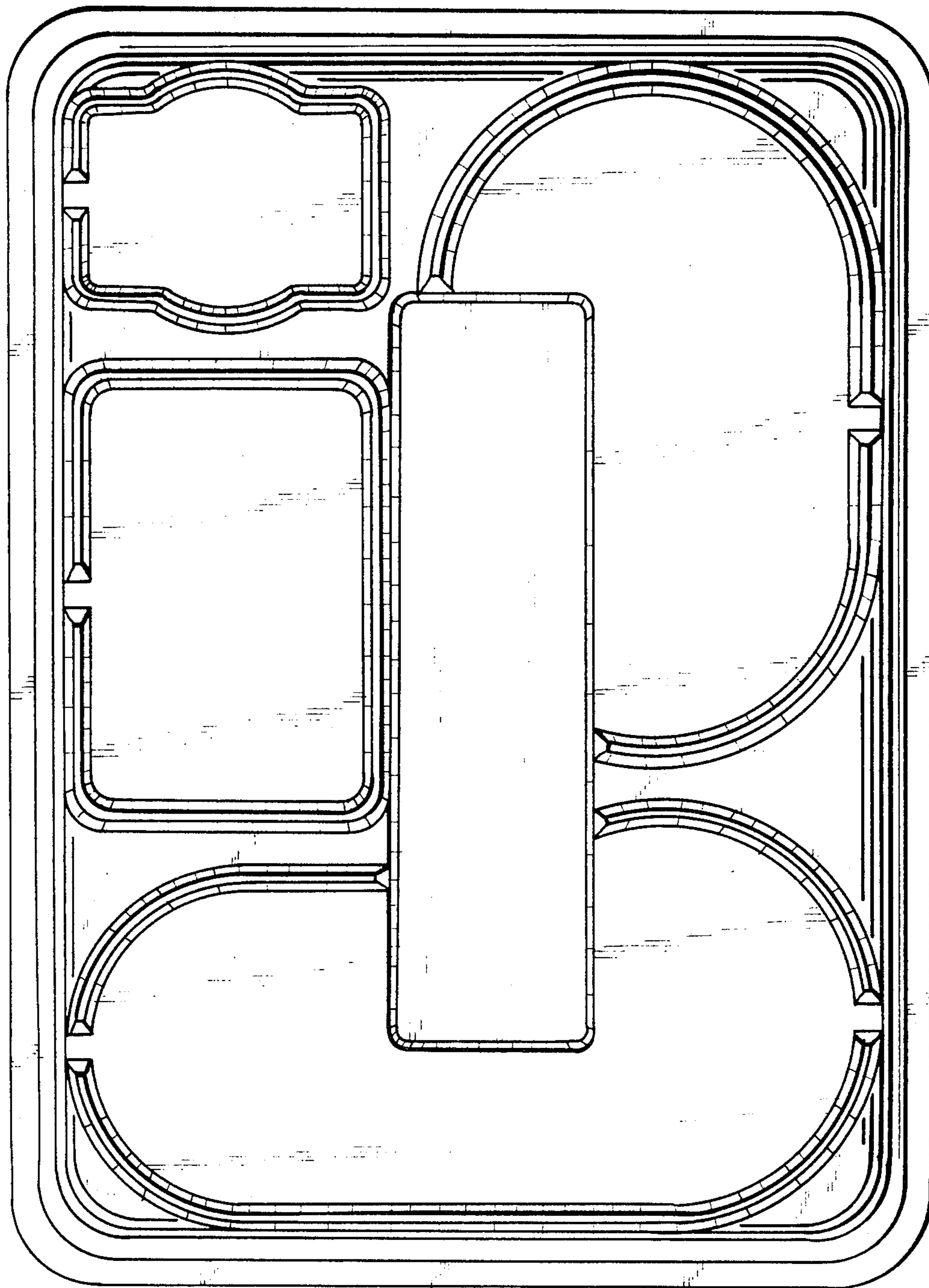


FIG. 5

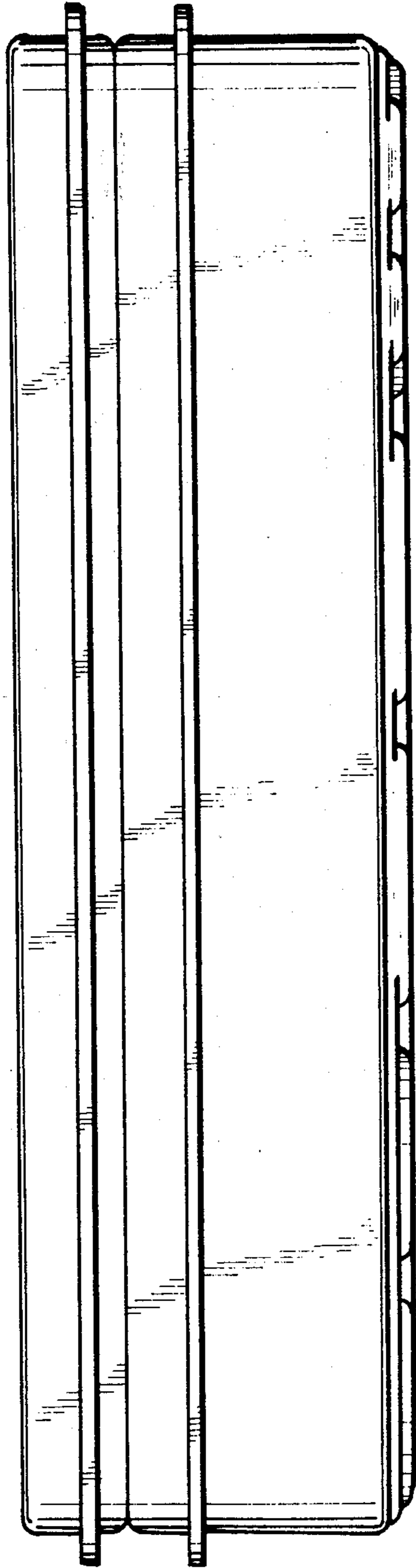


FIG. 6

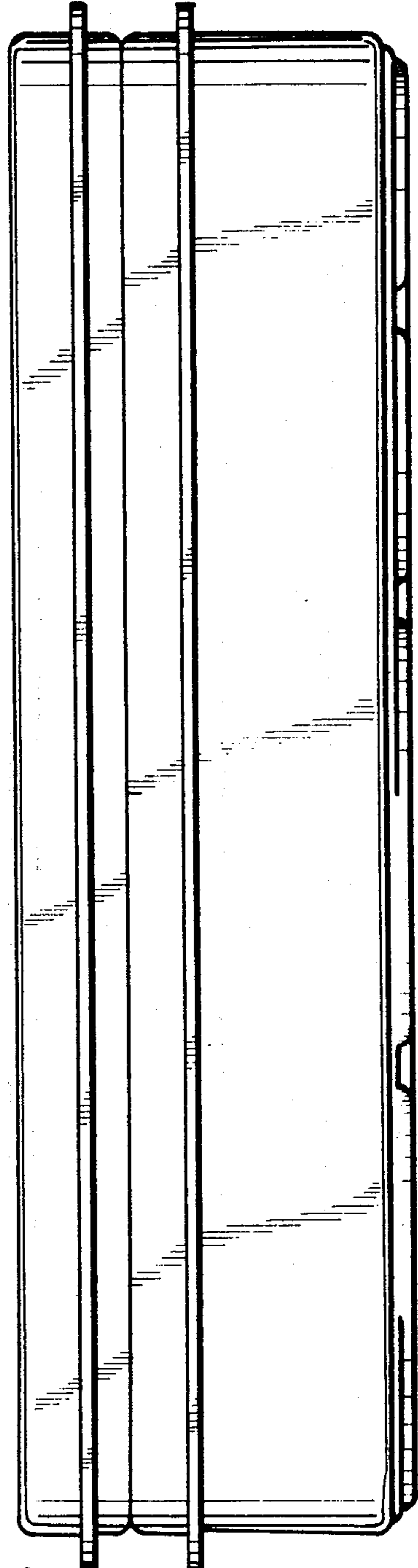


FIG. 7

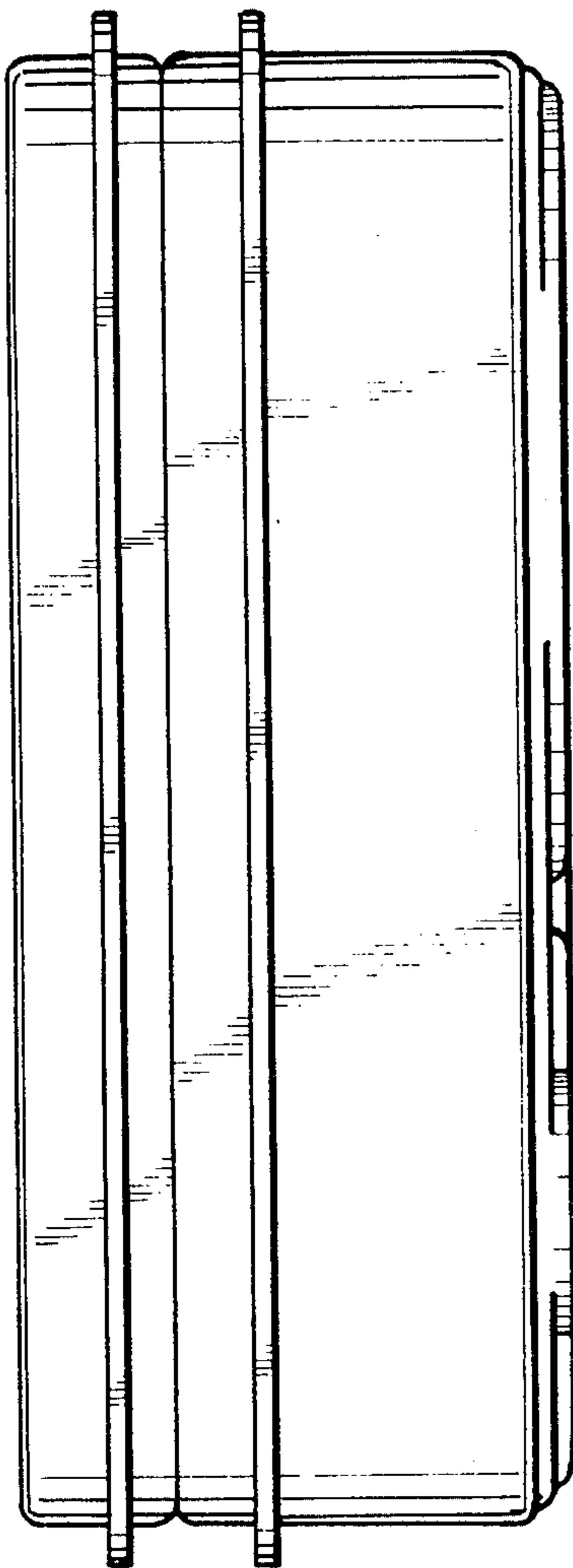


FIG. 8

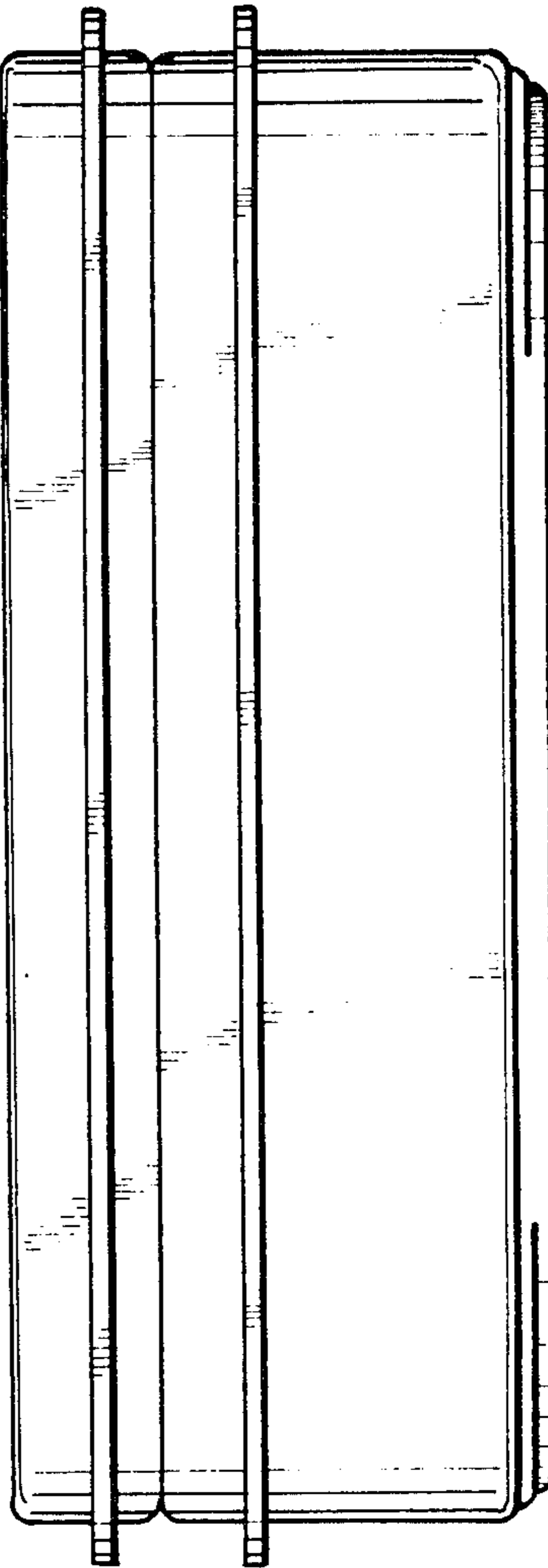


FIG. 9