

[54] **ACCESSORY STAND FOR USE IN SHINING BOOTS AND SHOES**

[76] **Inventor: John A. Kempf, Rte. 3, Fayette, Mo. 65248**

[**] **Term: 14 Years**

[21] **Appl. No.: 482,032**

[22] **Filed: Apr. 4, 1983**

[52] **U.S. Cl. D6/329; D6/343; D6/396; D6/411**

[58] **Field of Search D6/329, 396, 496, 491; 297/445-451; 248/188.1, 188.2, 418**

[56] **References Cited**

U.S. PATENT DOCUMENTS

D. 141,722	6/1945	Mankki	D6/411
D. 154,206	6/1949	Kraus	D6/411
D. 166,658	5/1952	Cohen	D6/343 X
D. 186,517	11/1959	Walsh et al.	D6/411

Primary Examiner—Bruce W. Dunkins
Attorney, Agent, or Firm—Kalish & Gilster

[57] **CLAIM**

The ornamental design for an accessory stand for use in shining boots and shoes, substantially as shown and described.

DESCRIPTION

FIG. 1 is a left side elevation view of an accessory stand for use in shining boots and shoes constructed in accordance with and embodying my new design.

FIG. 2 is a front elevational view thereof.

FIG. 3 is a right side elevation view of the new accessory, particularly showing the arrangement of parts including a foot member at the end of a leg for clampingly engaging a boot or shoe by pressure applied to a treadle while shining the boot or shoe.

FIG. 4 is a rear elevation view thereof.

FIG. 5 is a top plan view thereof.

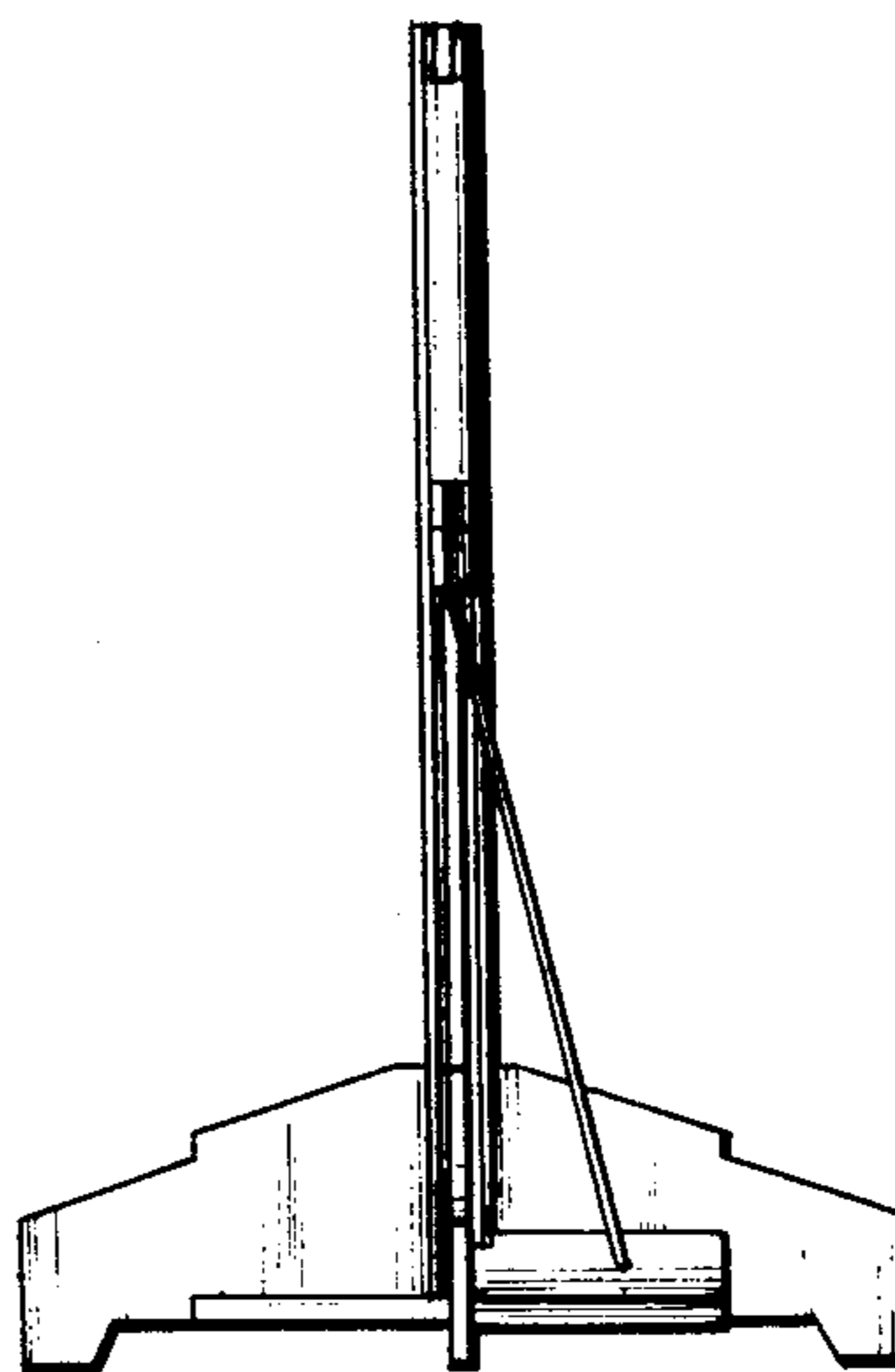
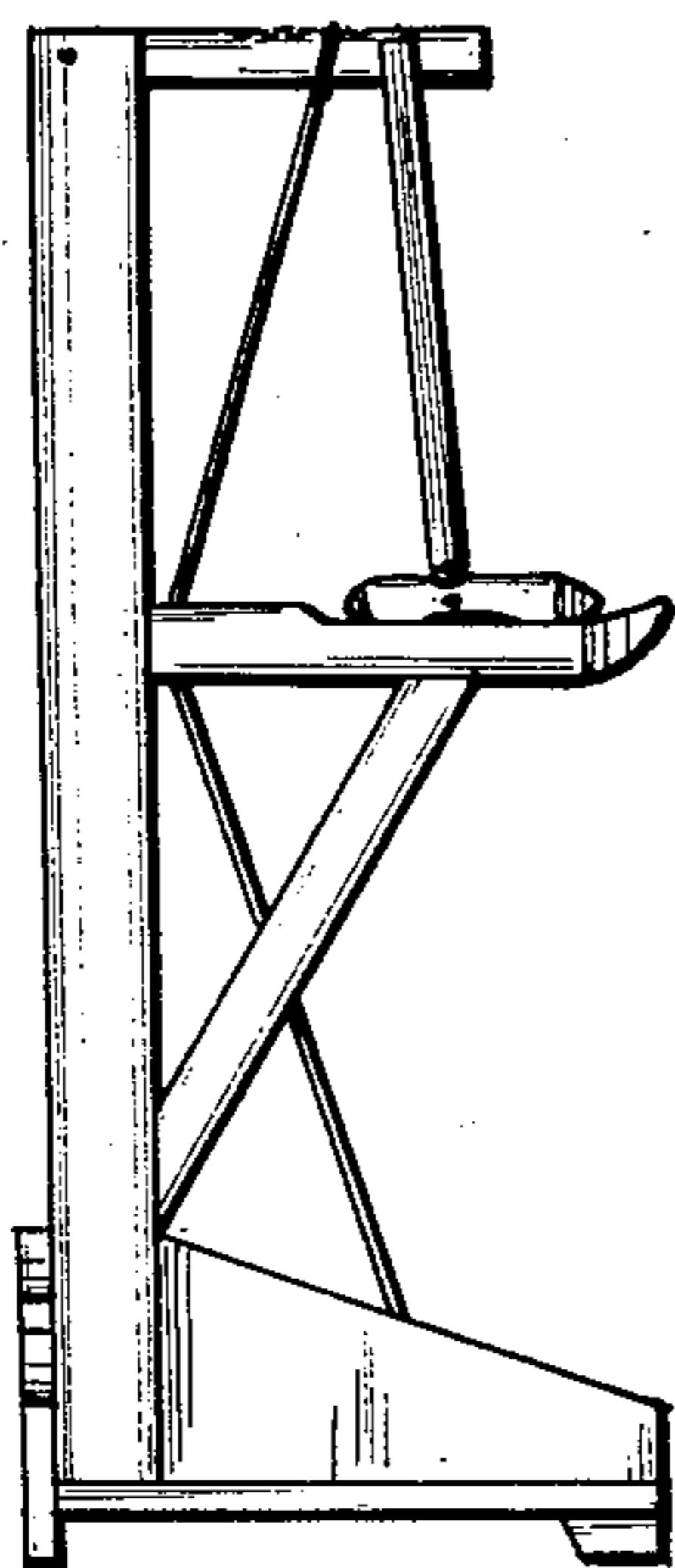


FIG. 1

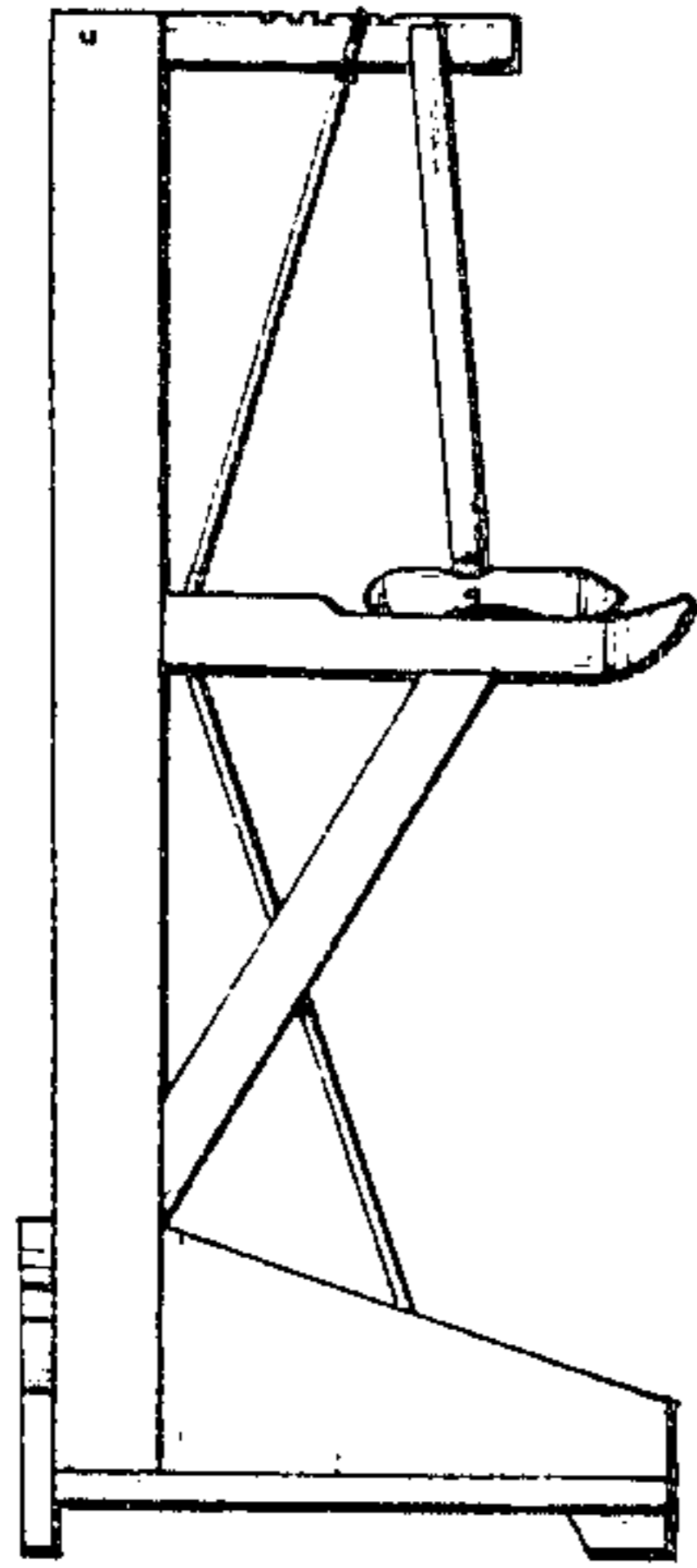


FIG. 2

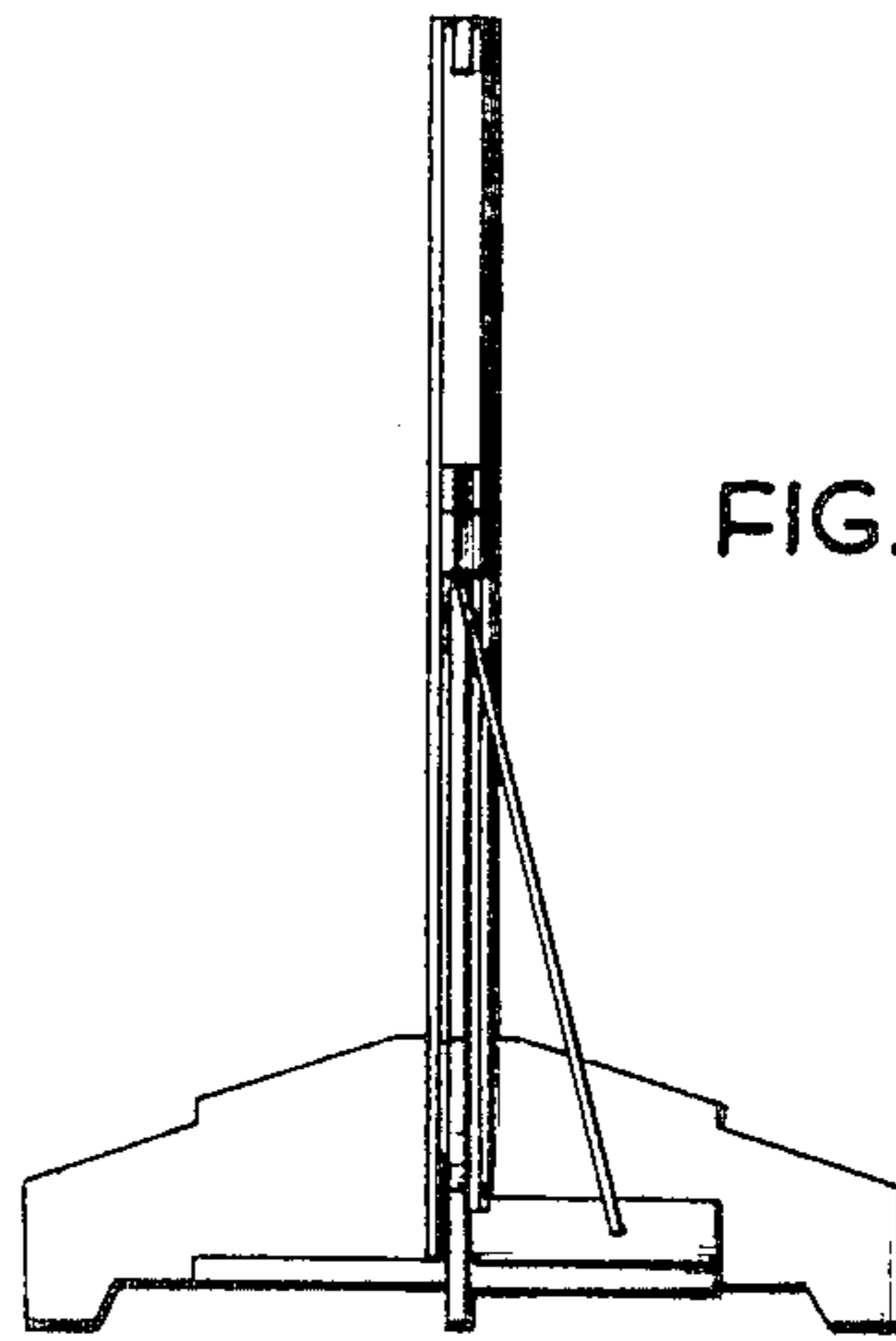


FIG. 3

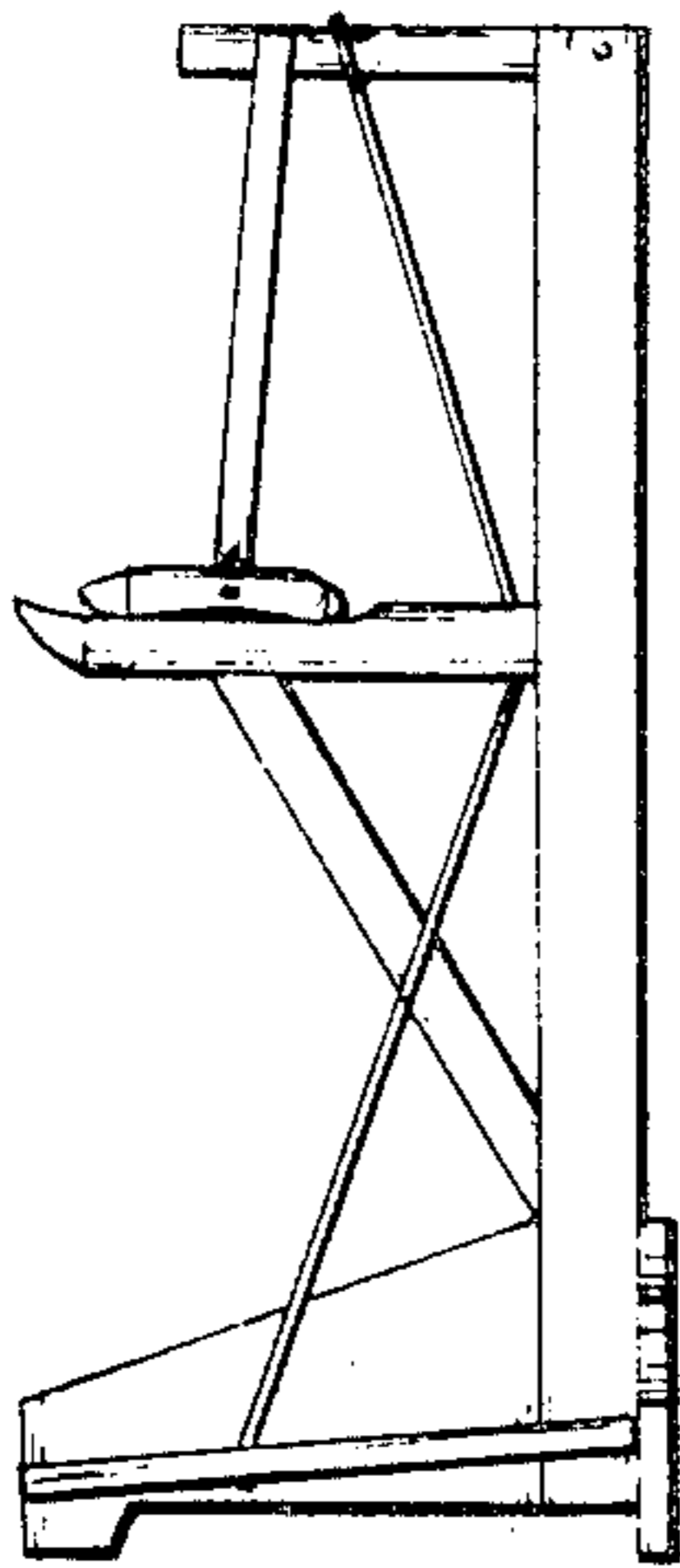


FIG. 4

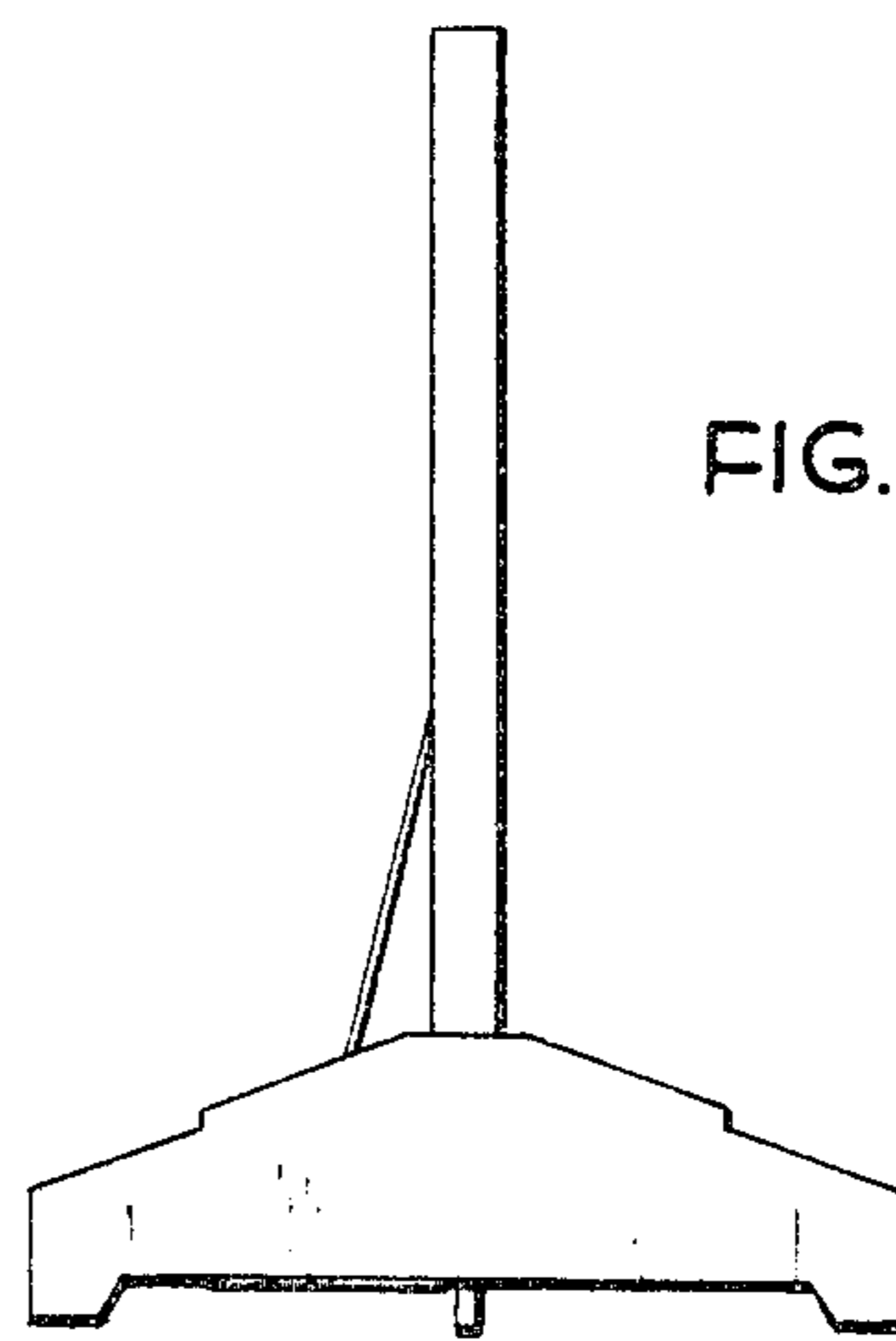


FIG. 5

