

[54] DISKETTE STORAGE CONTAINER

4,356,918 11/1982 Kahle et al. .... 206/444

[75] Inventors: Jerry M. Long, Scotts Valley; James A. Womack, Los Gatos, both of Calif.

Primary Examiner—George P. Word  
Attorney, Agent, or Firm—Claude A. S. Hamrick

[73] Assignee: Innovative Concepts, Inc., San Jose, Calif.

[57] CLAIM

The ornamental design for a diskette storage container, substantially as shown and described.

[\*\*] Term: 14 Years

DESCRIPTION

[21] Appl. No.: 444,982

[22] Filed: Jan. 24, 1983

[52] U.S. Cl. .... D3/35; D3/78; D19/76

[58] Field of Search ..... 206/45.19, 45.23, 387, 206/425, 444, 44.13, 45.13, 45.15, 45.18, 387; D3/30.1, 33, 35, 78; D19/75, 76, 86, 90

FIG. 1 is a perspective view of a diskette storage container showing my new design in its closed configuration;

FIG. 2 is a perspective view thereof showing the container in its opened configuration;

FIG. 3 is a perspective view showing the base member thereof, the side portions not shown being plain or a mirror image of the side portions shown;

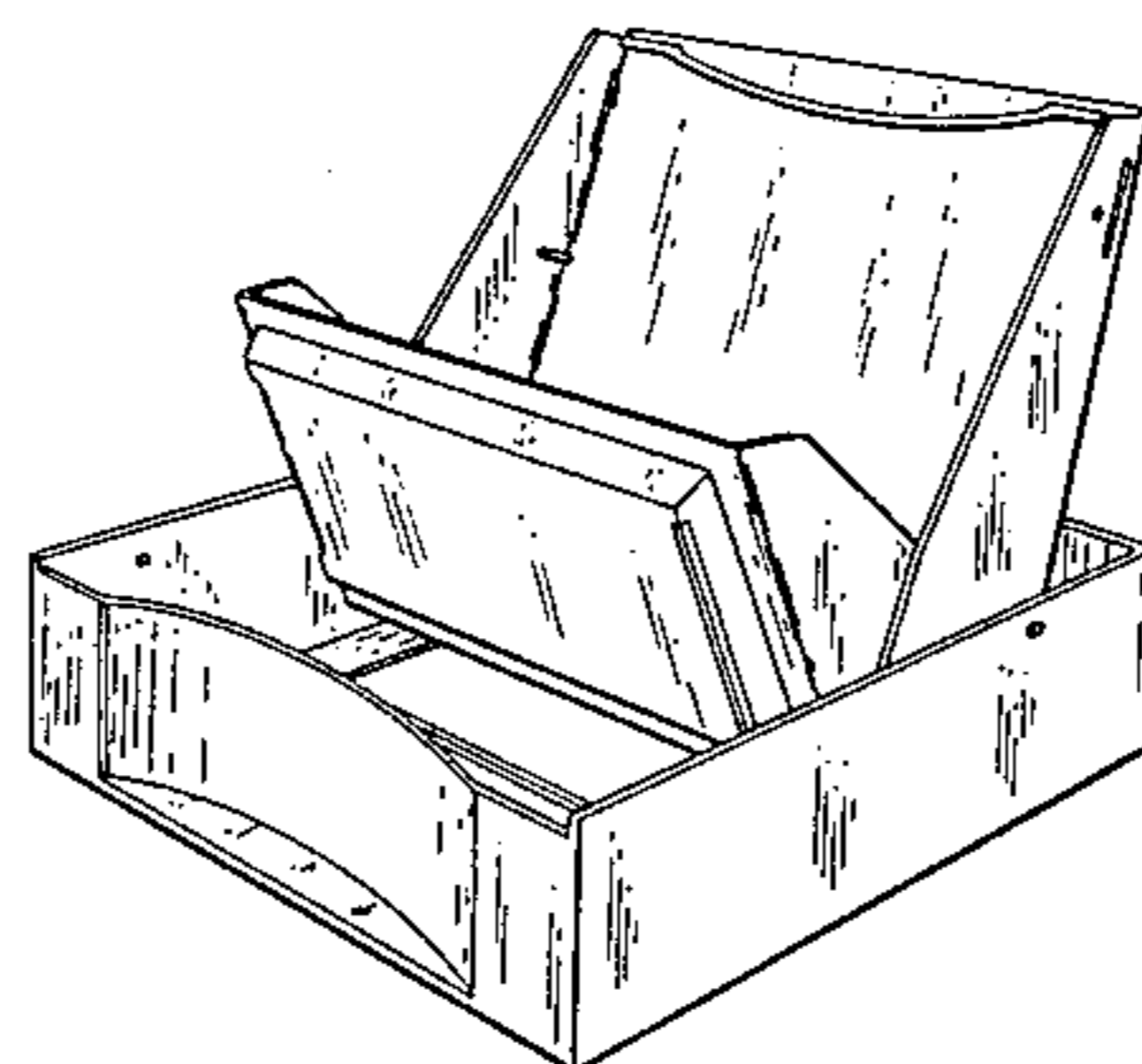
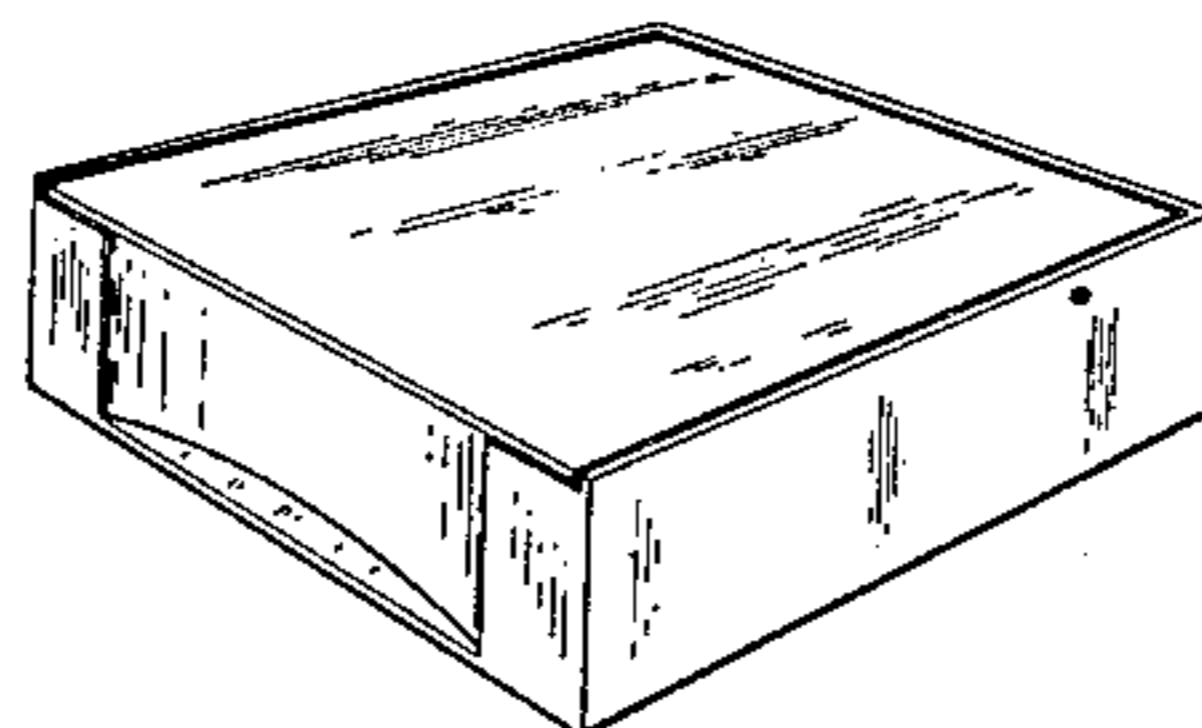
FIG. 4 is a perspective view showing the closure member in a raised disposition; and

FIG. 5 is a partially broken perspective view showing the fold-out diskette support member thereof, the opposite side portions not shown being plain or a mirror image of the side portions shown.

[56] References Cited

U.S. PATENT DOCUMENTS

2,675,911	4/1954	Thurston	.....	206/45.13
2,775,342	12/1956	Smith	.....	206/45.13
3,086,645	4/1963	Yount	.....	206/45.13
3,253,871	5/1966	Karper	.....	D19/76



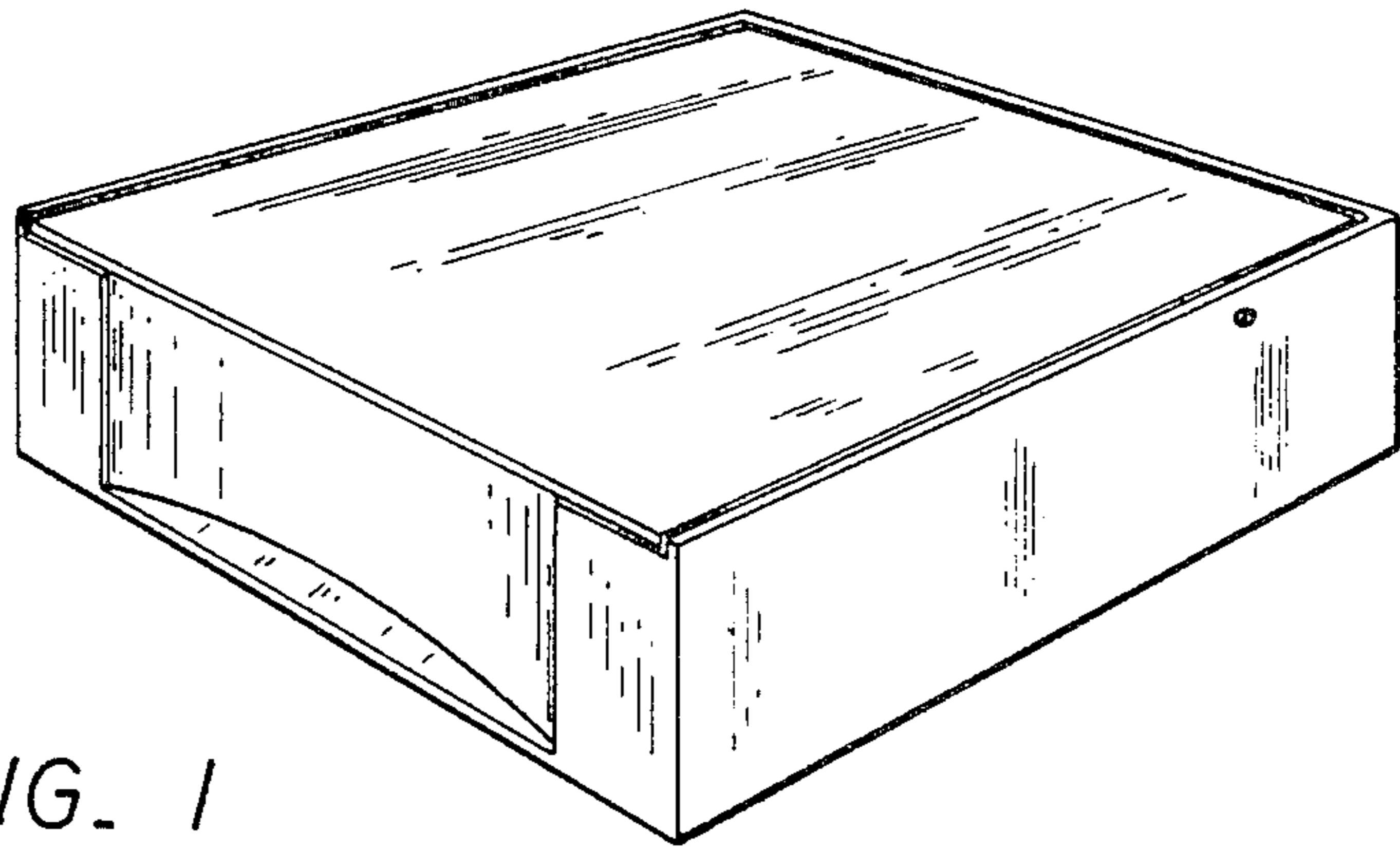


FIG. 1

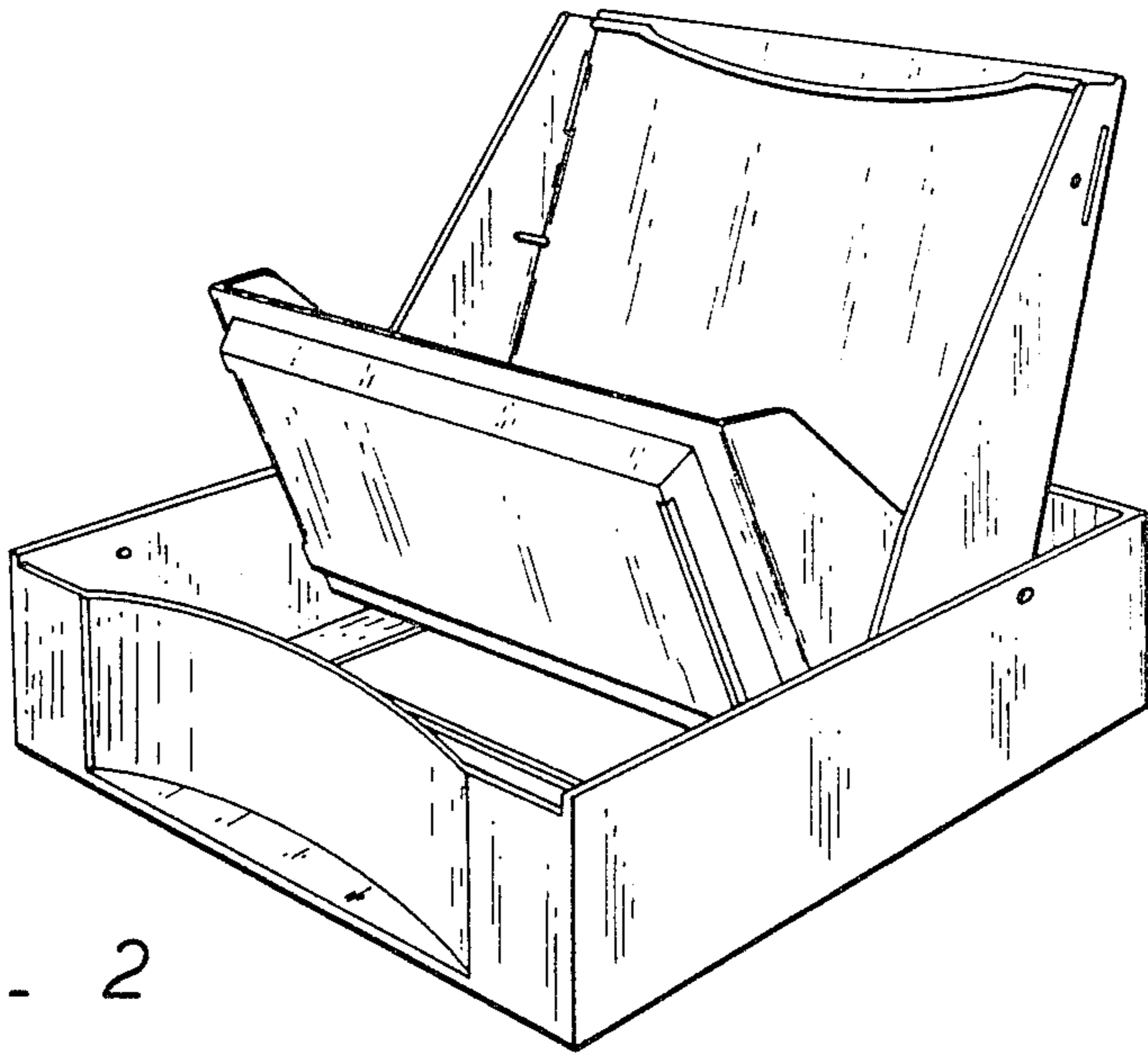


FIG. 2

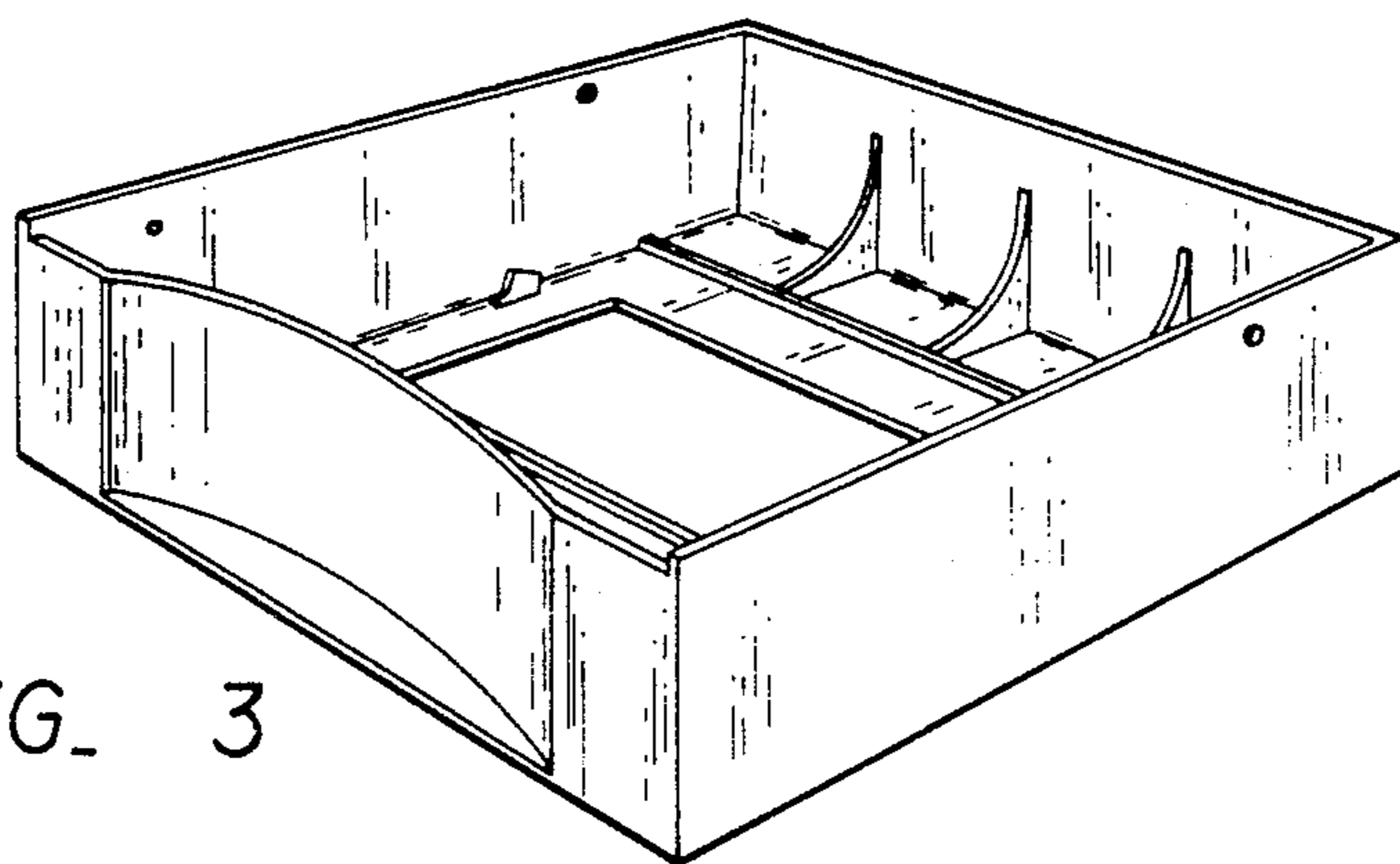


FIG. 3

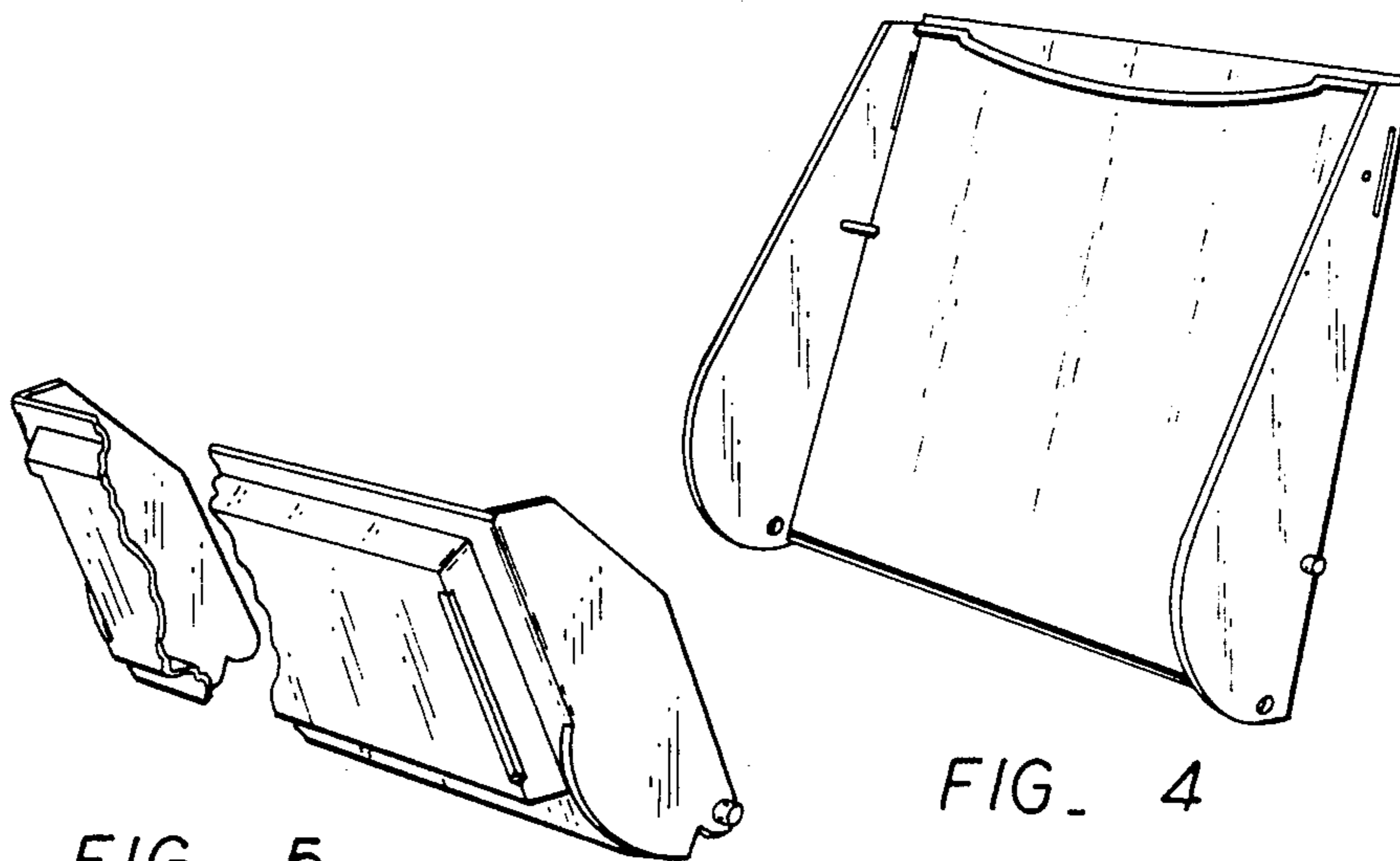


FIG. 4

FIG. 5