

[54] **FOLDABLE GROCERY CART**

[76] **Inventor: Jerry L. Strayer, Rte. #8, Box 241,  
Rangeline Rd. South, Road 300  
West, Muncie, Ind. 47302**

[\*\*] **Term: 14 Years**

[21] **Appl. No.: 384,795**

[22] **Filed: Jun. 16, 1982**

[52] **U.S. Cl. .... D34/24**

[58] **Field of Search ..... D34/28, 12, 24;  
280/47.26, 33.99, DIG. 4, 646, 652; 211/181**

[56] **References Cited**

**U.S. PATENT DOCUMENTS**

155,640 10/1949 Stoll ..... D34/24  
3,191,959 6/1965 Heimbruch ..... D34/18

**FOREIGN PATENT DOCUMENTS**

965687 2/1950 France ..... 280/652  
937523 9/1963 United Kingdom ..... 280/652

*Primary Examiner*—James M. Gandy  
*Assistant Examiner*—Kay H. Chin  
*Attorney, Agent, or Firm*—James D. Haynes

[57] **CLAIM**

The ornamental design for a foldable grocery cart, as shown.

**DESCRIPTION**

FIG. 1 is a perspective view of a foldable grocery cart.  
FIG. 2 is a perspective view thereof.  
FIG. 3 is a perspective view thereof partly unfolded.  
FIG. 4 is a side view thereof in its folded condition.  
FIG. 5 is an enlarged fragmentary perspective view of the wheel as it adjoins the side of the cart.

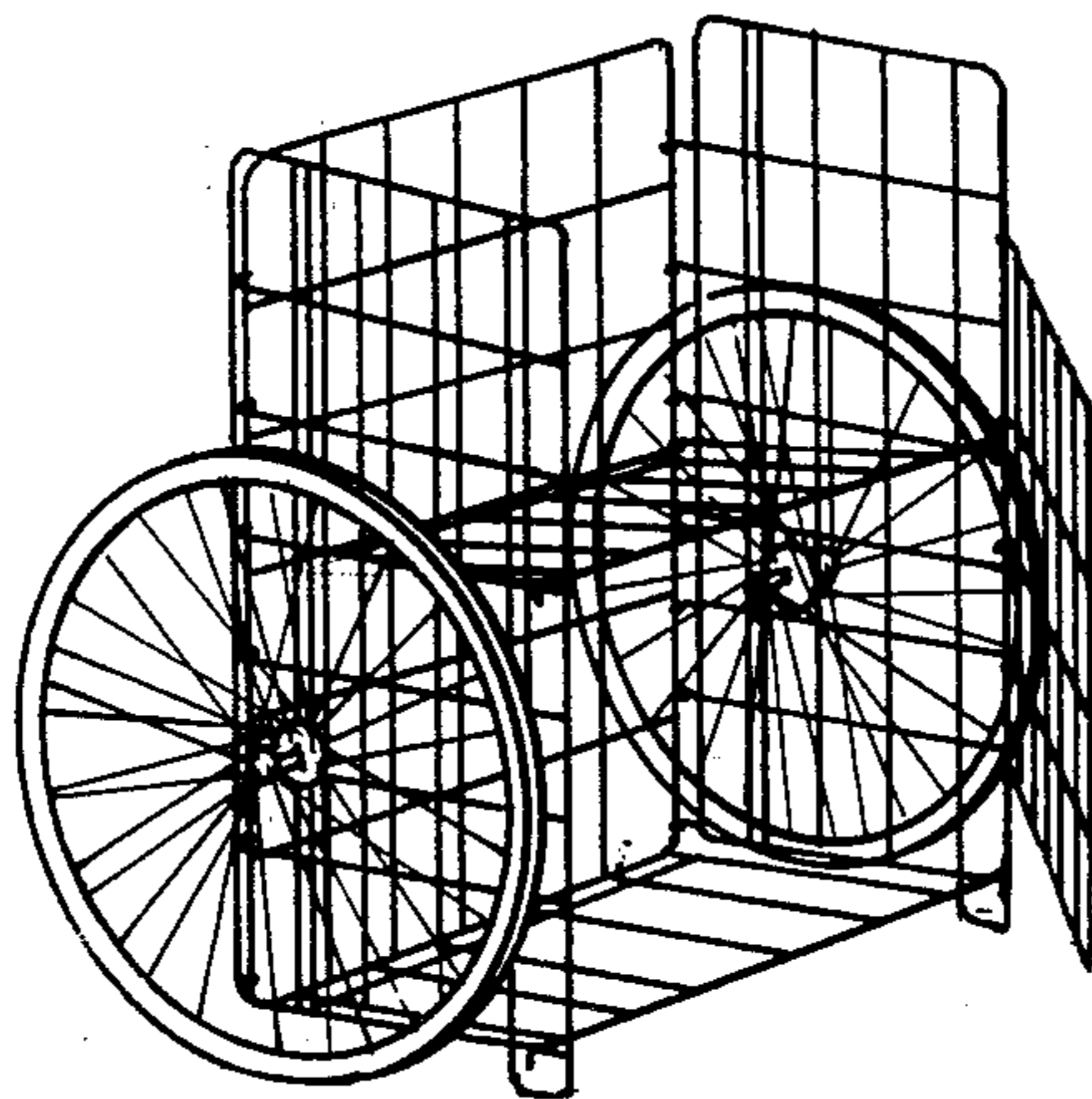


FIG. 1

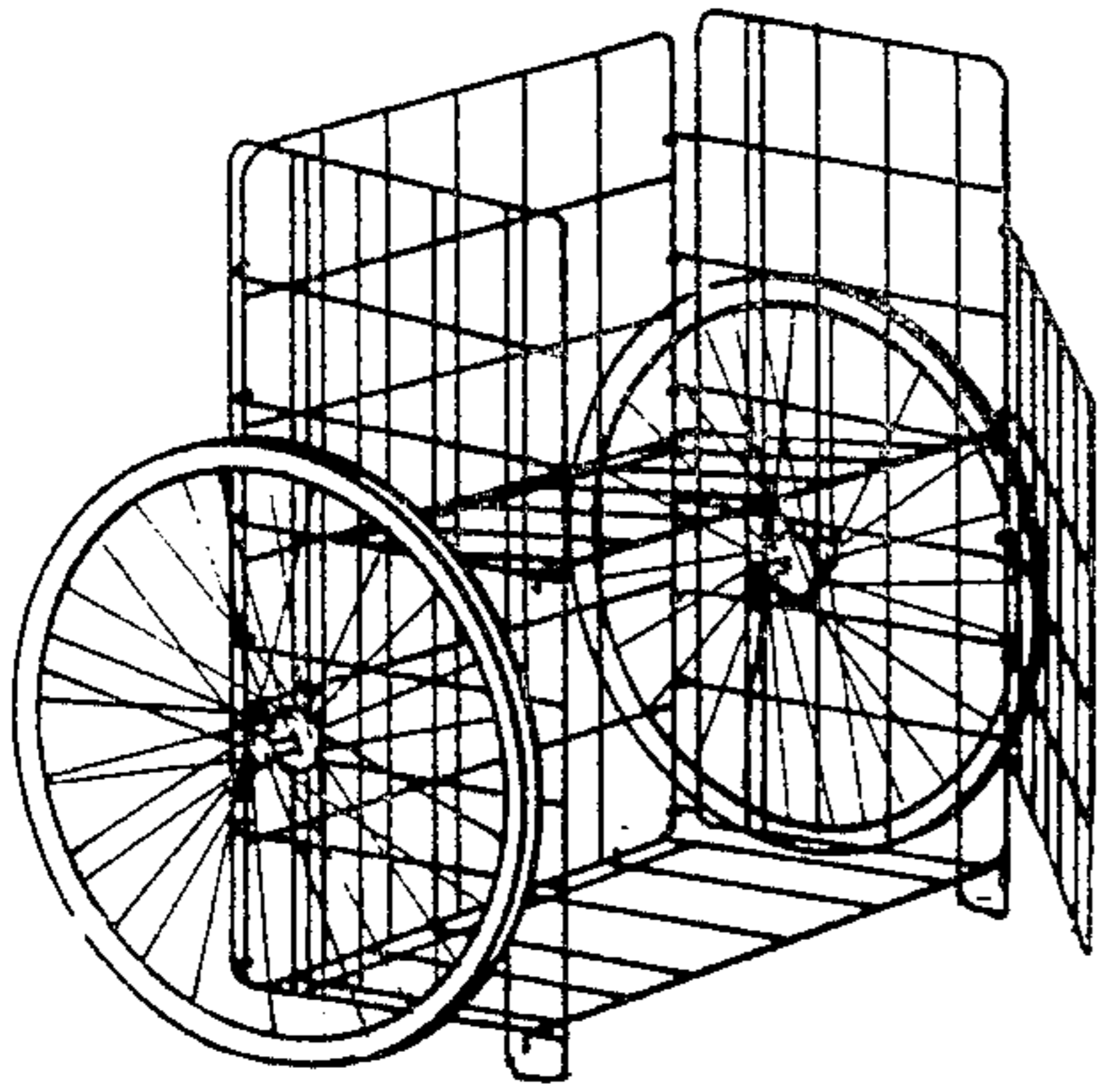


FIG. 2

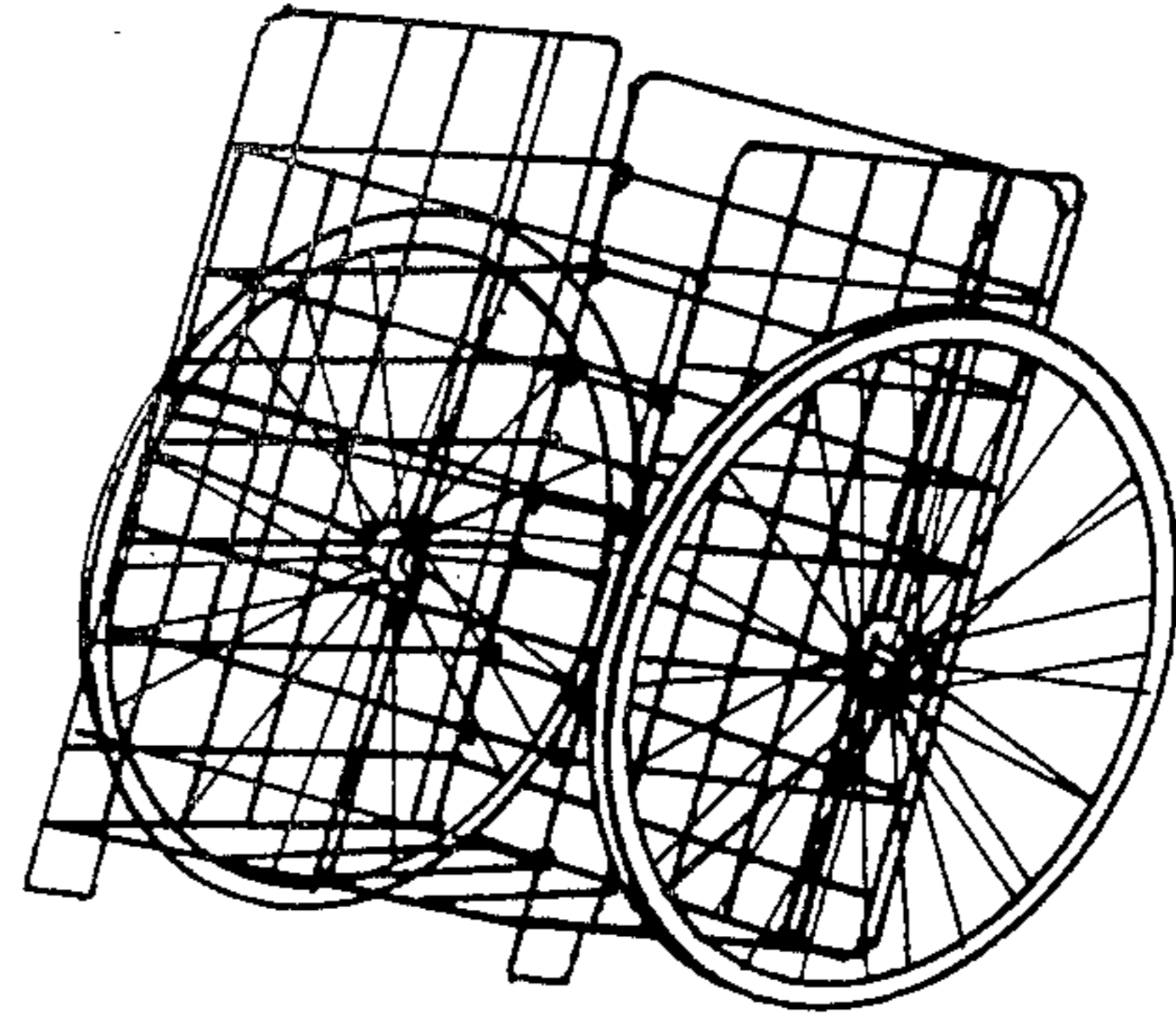


FIG. 3

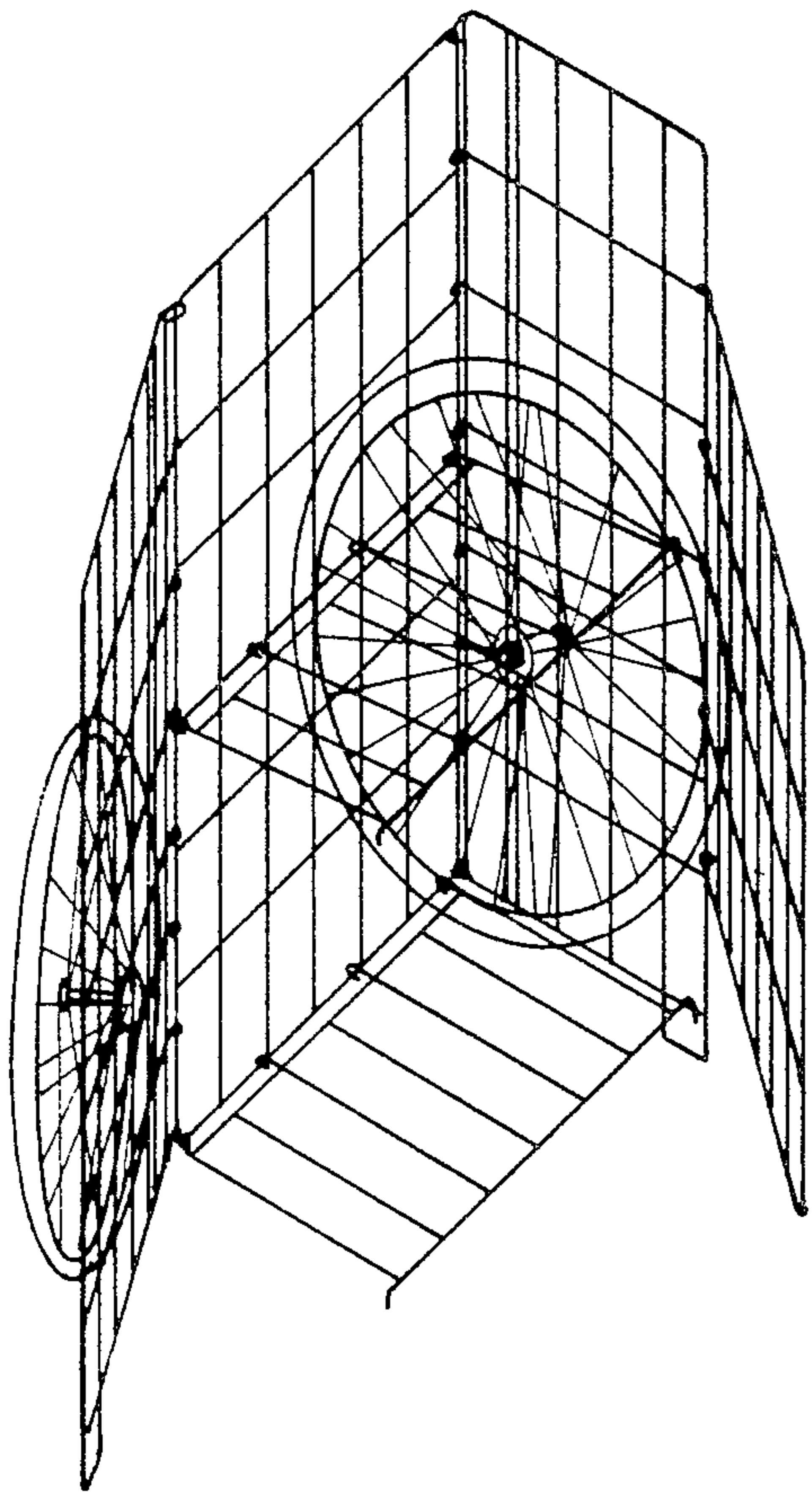


FIG. 4

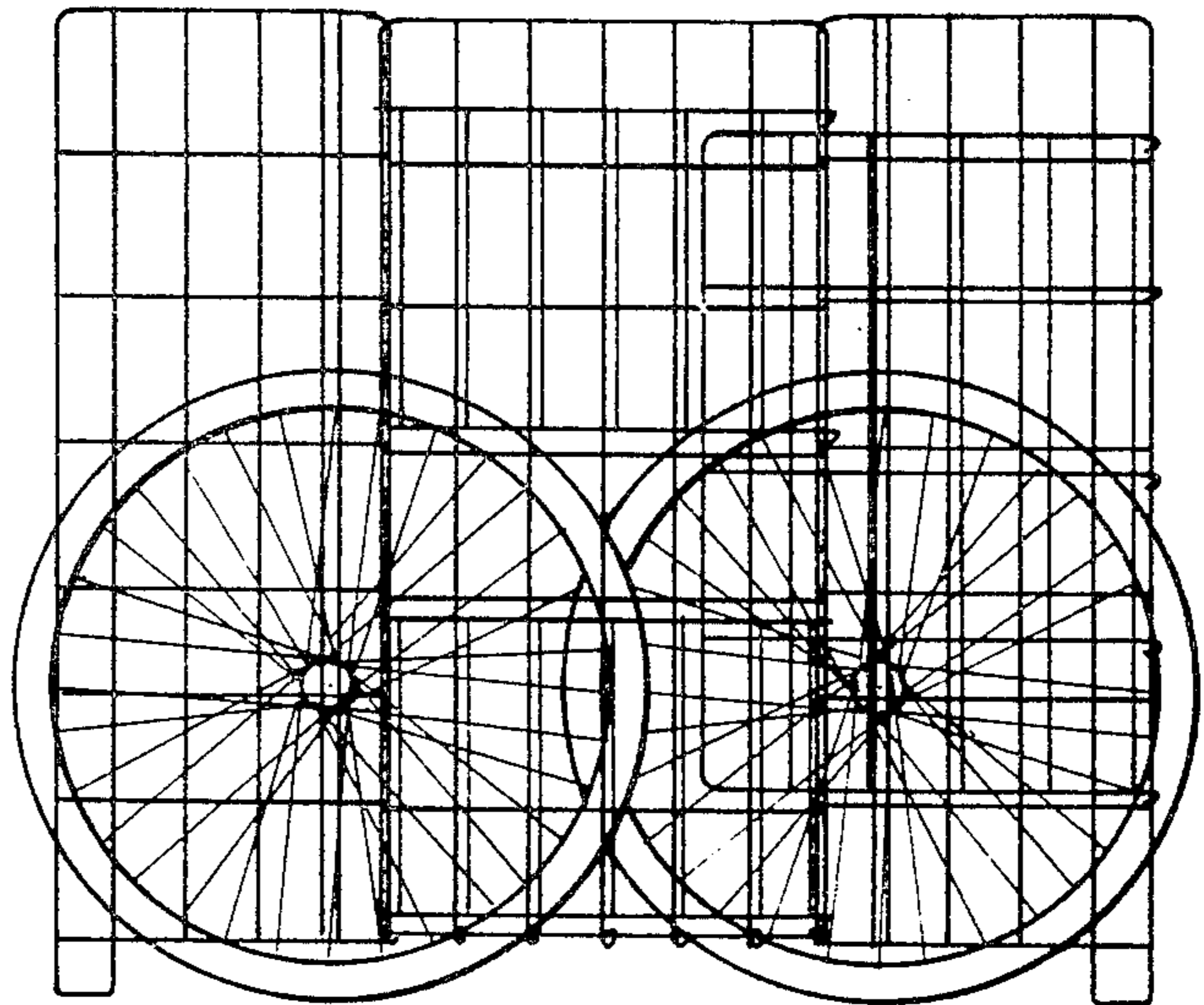


FIG. 5

