

United States Patent [19]

Pudwill

[11] Patent Number: **Des. 280,034**

[45] Date of Patent: **** Aug. 6, 1985**

[54] **PORTABLE VACUUM CLEANER**

[75] Inventor: **Horst Pudwill, Kowloon, Kong**

[73] Assignee: **Continental Engineering Products Co., Ltd., Kowloon, Hong Kong**

[**] Term: **14 Years**

[21] Appl. No.: **503,364**

[22] Filed: **Jun. 10, 1983**

[30] **Foreign Application Priority Data**

Dec. 27, 1982 [DE] Fed. Rep. of Germany 1449/82

[52] U.S. Cl. **D32/24**

[58] Field of Search D32/21, 22, 23, 24;
15/320-327 R, 327 D, 327 E, 344

[56] **References Cited**

U.S. PATENT DOCUMENTS

D. 98,824 3/1936 Geddes D32/24

D. 129,993 10/1941 Forsberg D2/24

D. 173,441 11/1954 Lambert D32/24

D. 201,668 7/1965 Van der Put D32/24

D. 215,489 9/1969 Gantz D32/24

Primary Examiner—Wallace R. Burke

Assistant Examiner—Lynn Wilder

Attorney, Agent, or Firm—Cushman, Darby & Cushman

[57] **CLAIM**

The ornamental design for a portable vacuum cleaner, as shown.

DESCRIPTION

FIG. 1 is a perspective view of a portable vacuum cleaner showing my new design;

FIG. 2 is a front elevational view thereof;

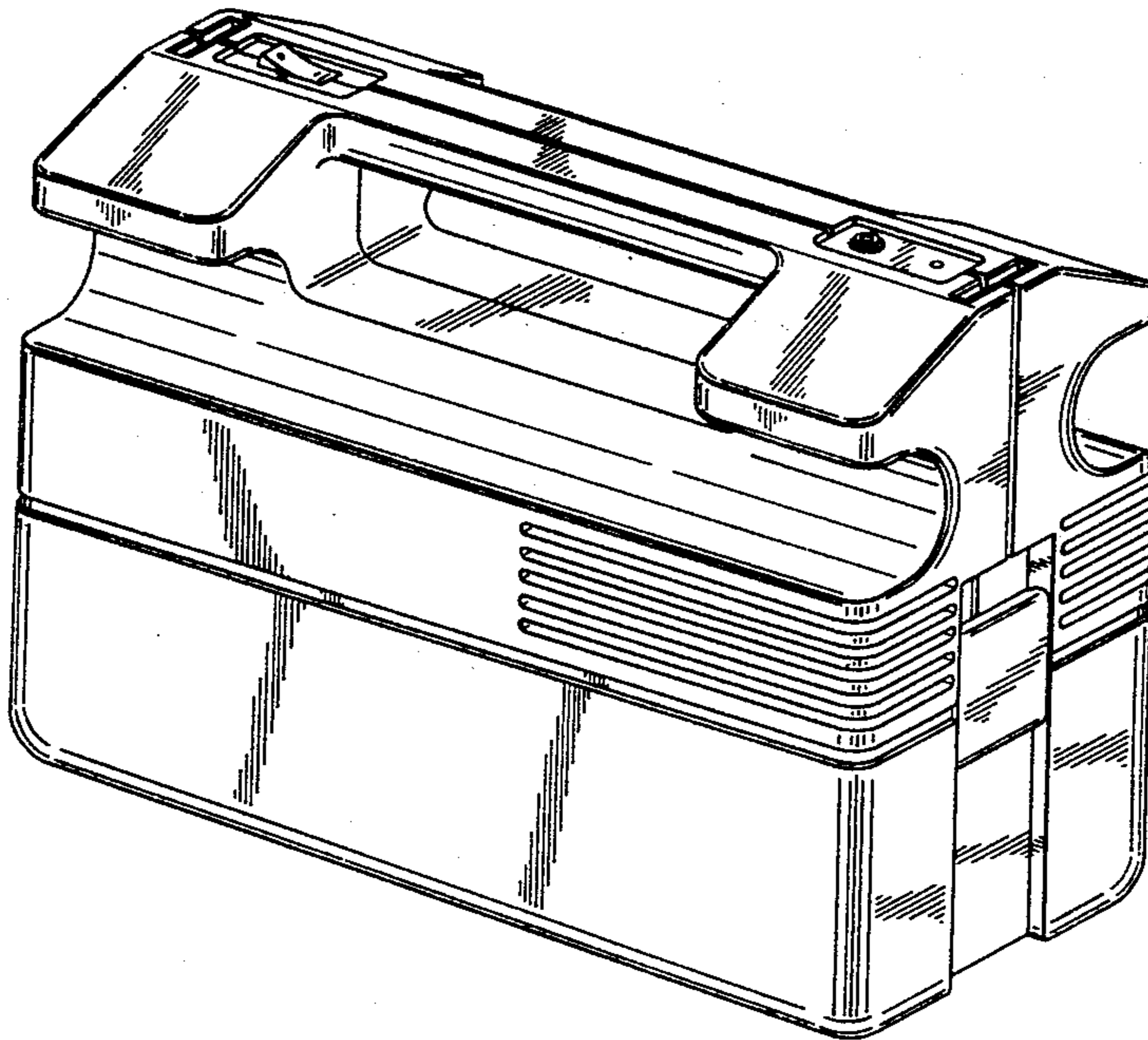
FIG. 3 is a left end elevational view thereof;

FIG. 4 is a right end elevational view thereof;

FIG. 5 is a bottom plan view thereof;

FIG. 6 is a top plan view thereof; and

FIG. 7 is a rear elevational view thereof.



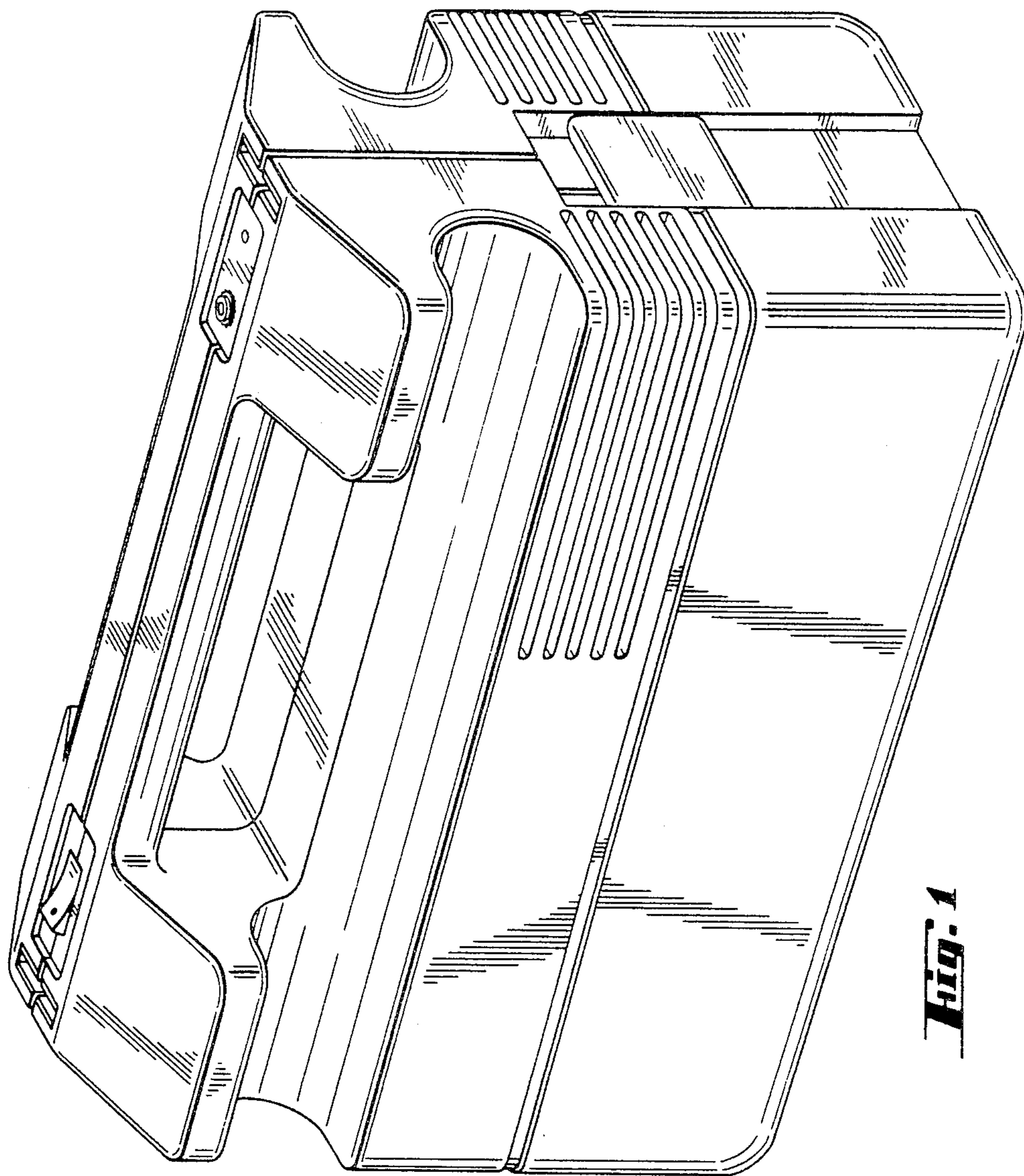


Fig. 1

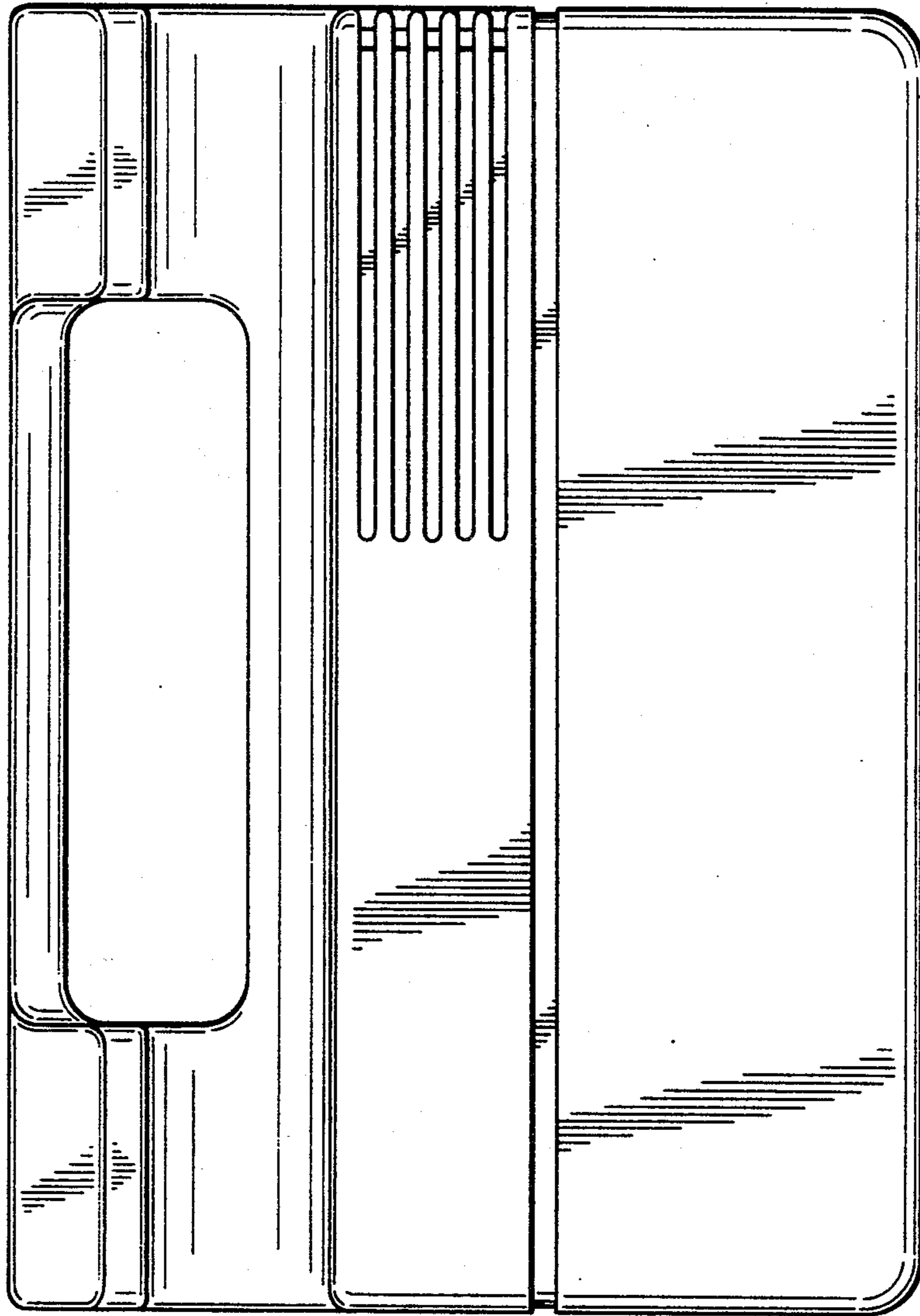


FIG. 2

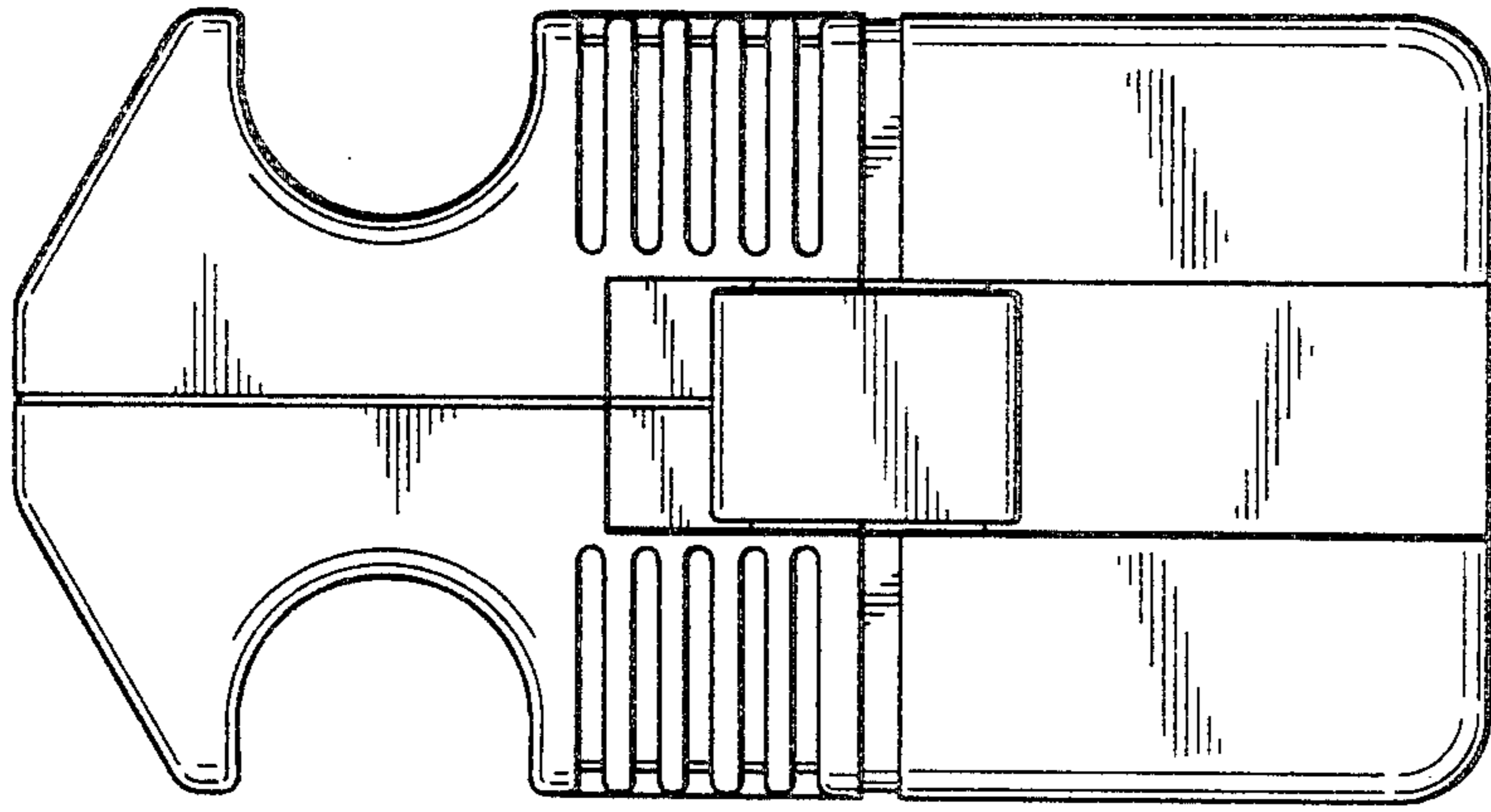


Fig. 4

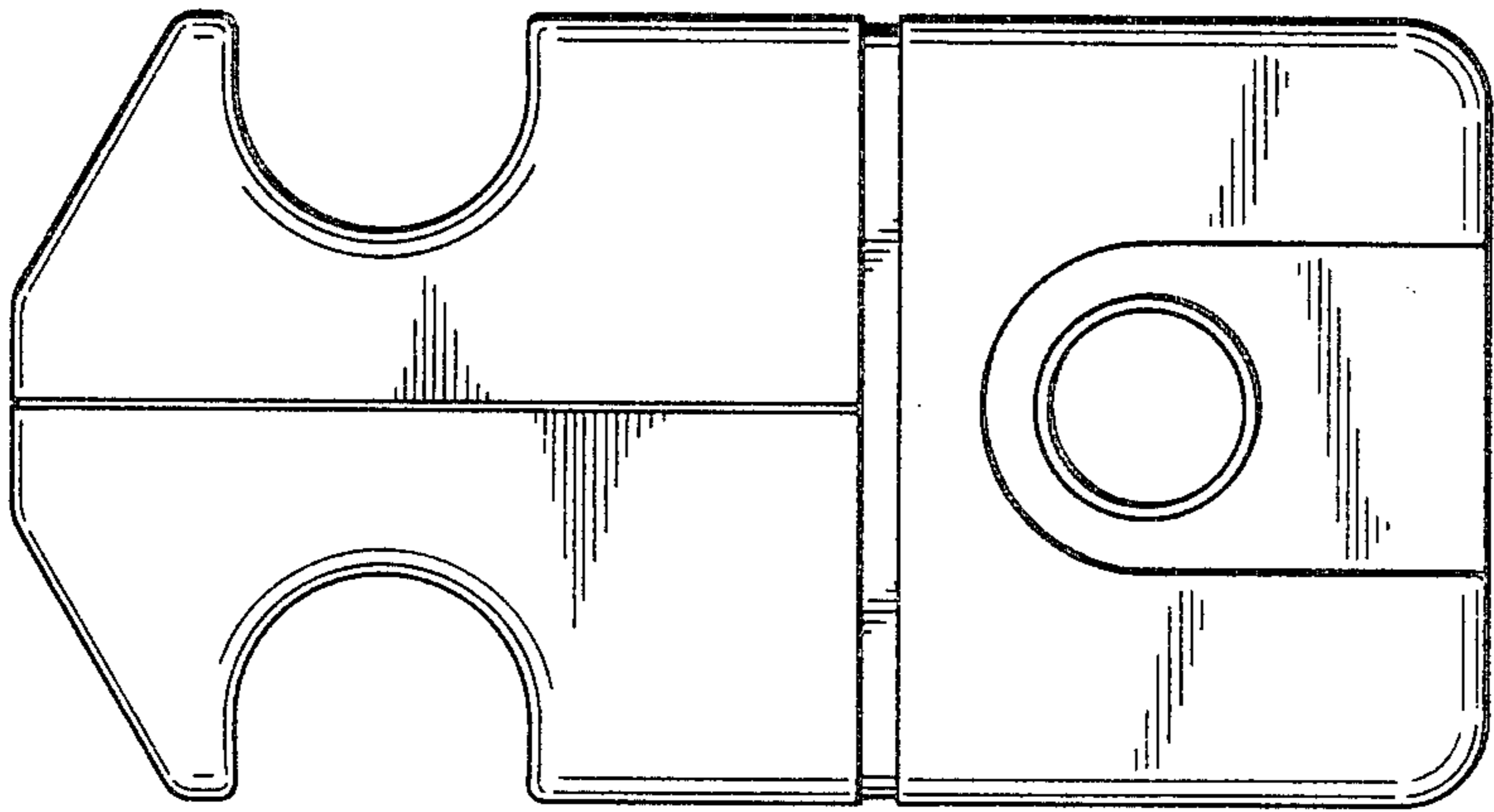


Fig. 3

Fig. 5

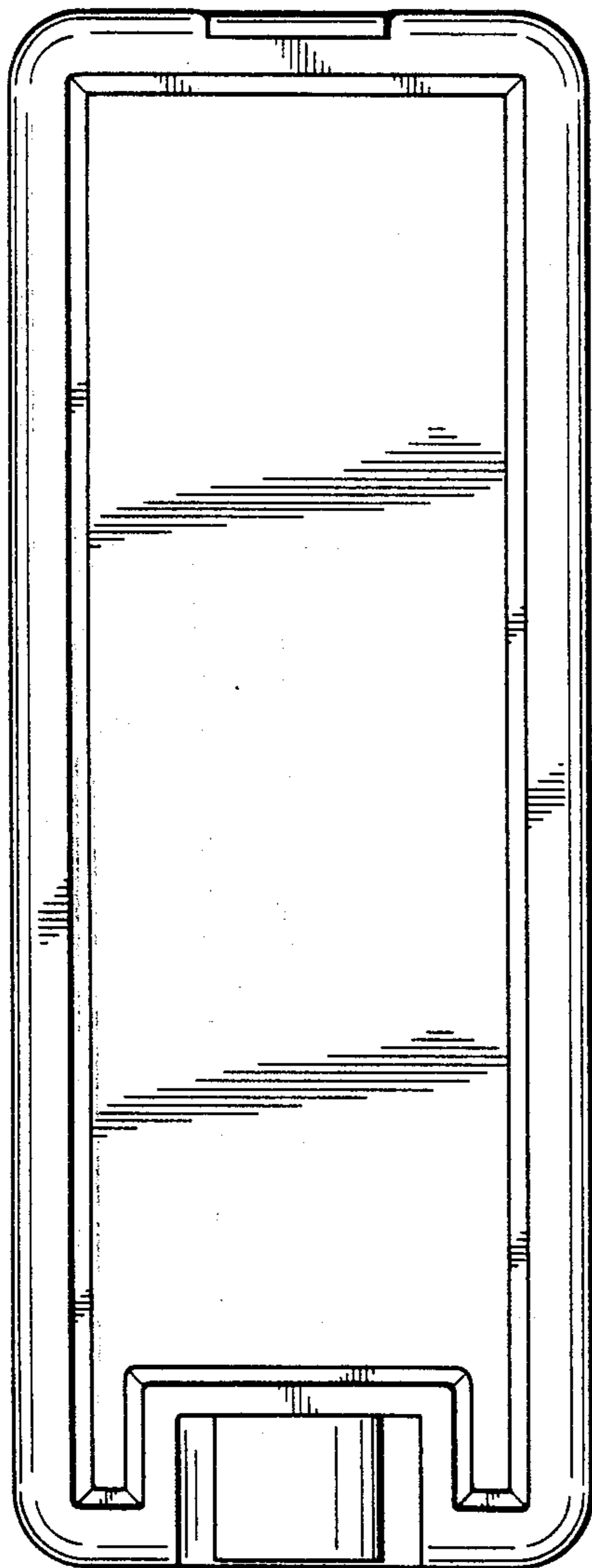
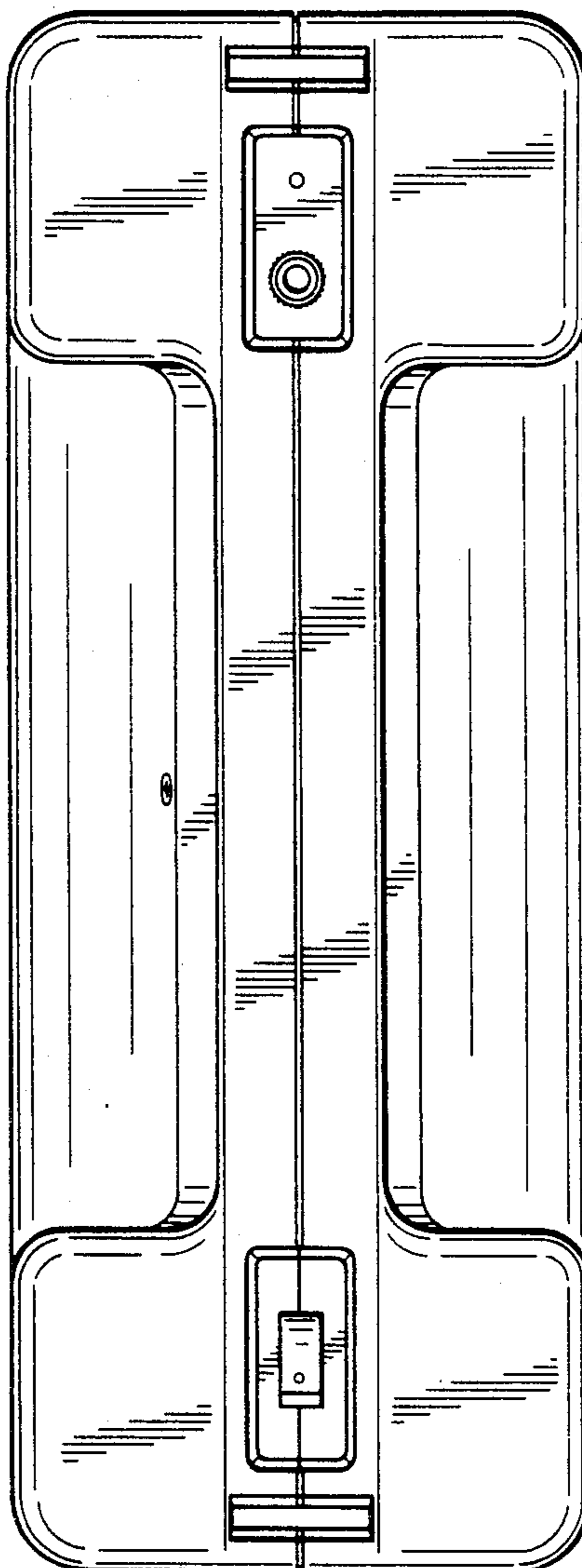


Fig. 6



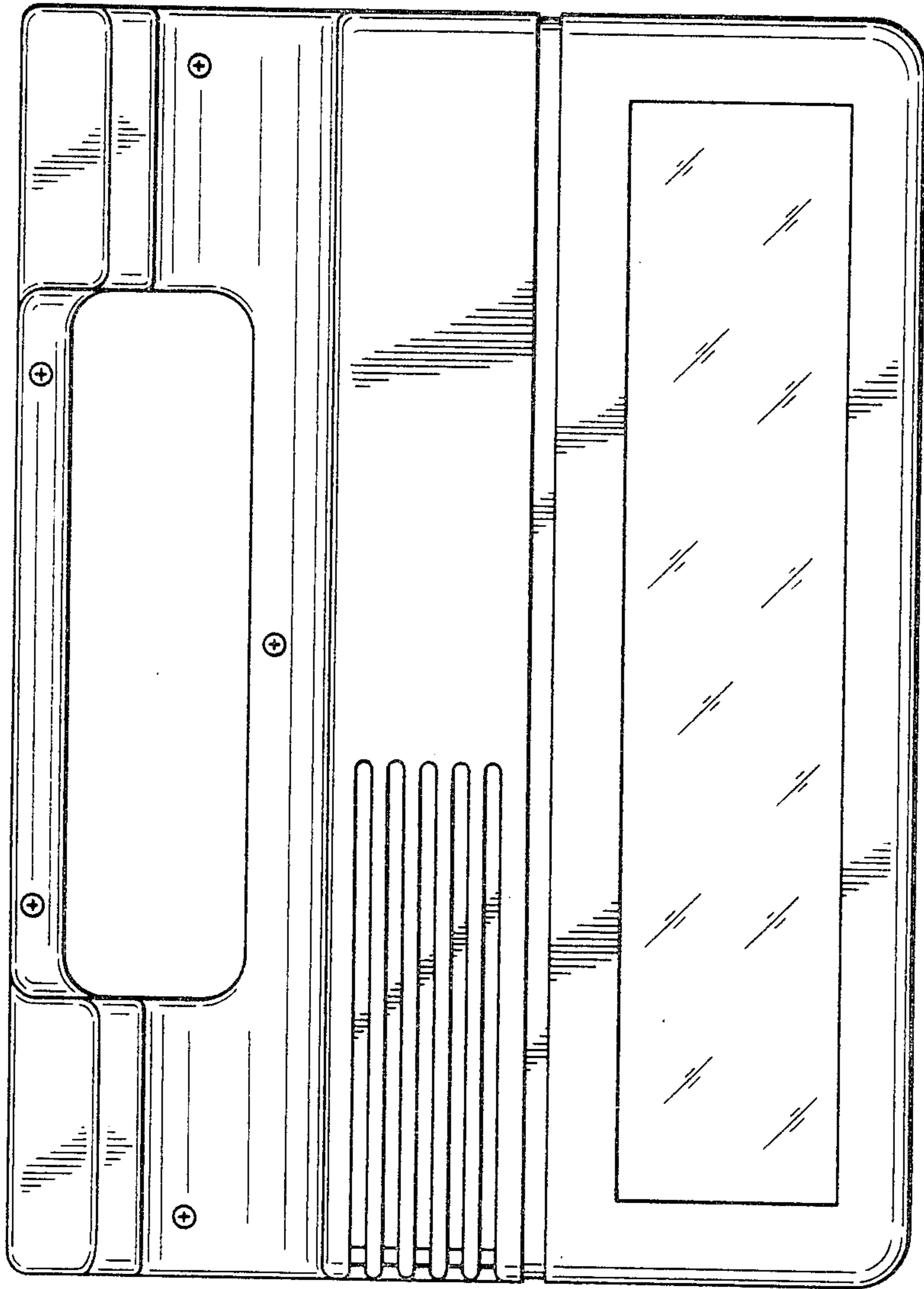


Fig. 7