

United States Patent [19]

Miyamoto et al.

[11] Patent Number: **Des. 280,033**

[45] Date of Patent: **** Aug. 6, 1985**

[54] VACUUM CLEANER

[75] Inventors: **Isshin Miyamoto; Yasuo Nagamatsu; Toshiya Moriyama; Masaharu Sakamoto**, all of Fukuoka, Japan

[73] Assignee: **Matsushita Electric Industrial Co., Ltd.**, Osaka, Japan

[**] Term: **14 Years**

[21] Appl. No.: **530,828**

[22] Filed: **Sep. 9, 1983**

[30] Foreign Application Priority Data

Mar. 10, 1983 [JP] Japan 58-9911

[52] U.S. Cl. **D32/22**

[58] Field of Search D32/21, 22, 23, 24;
15/320-327 R, 327 D, 327 E

[56] References Cited

U.S. PATENT DOCUMENTS

D. 192,555 4/1962 Jepson et al. D32/22
2,607,067 8/1952 Minerley 15/320
2,635,276 4/1953 Norris 15/320

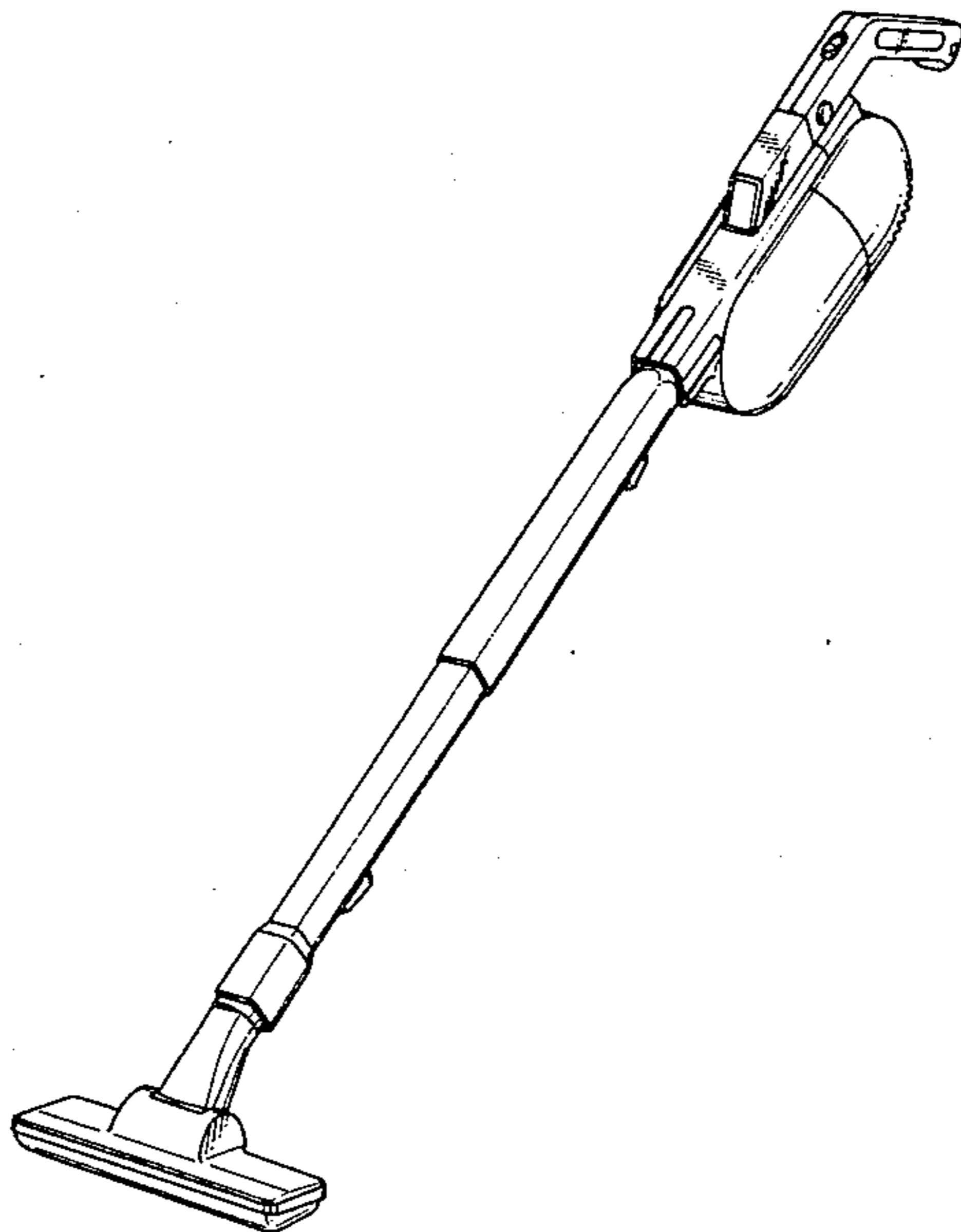
Primary Examiner—Wallace R. Burke
Assistant Examiner—Lynn Wilder
Attorney, Agent, or Firm—Sughrue, Mion, Zinn,
Macpeak & Seas

[57] CLAIM

The ornamental design for a vacuum cleaner, as shown and described.

DESCRIPTION

FIG. 1 is a front, top and right side perspective view of a vacuum cleaner showing our new design, thereof; and FIG. 2 is a bottom and left perspective view thereof.



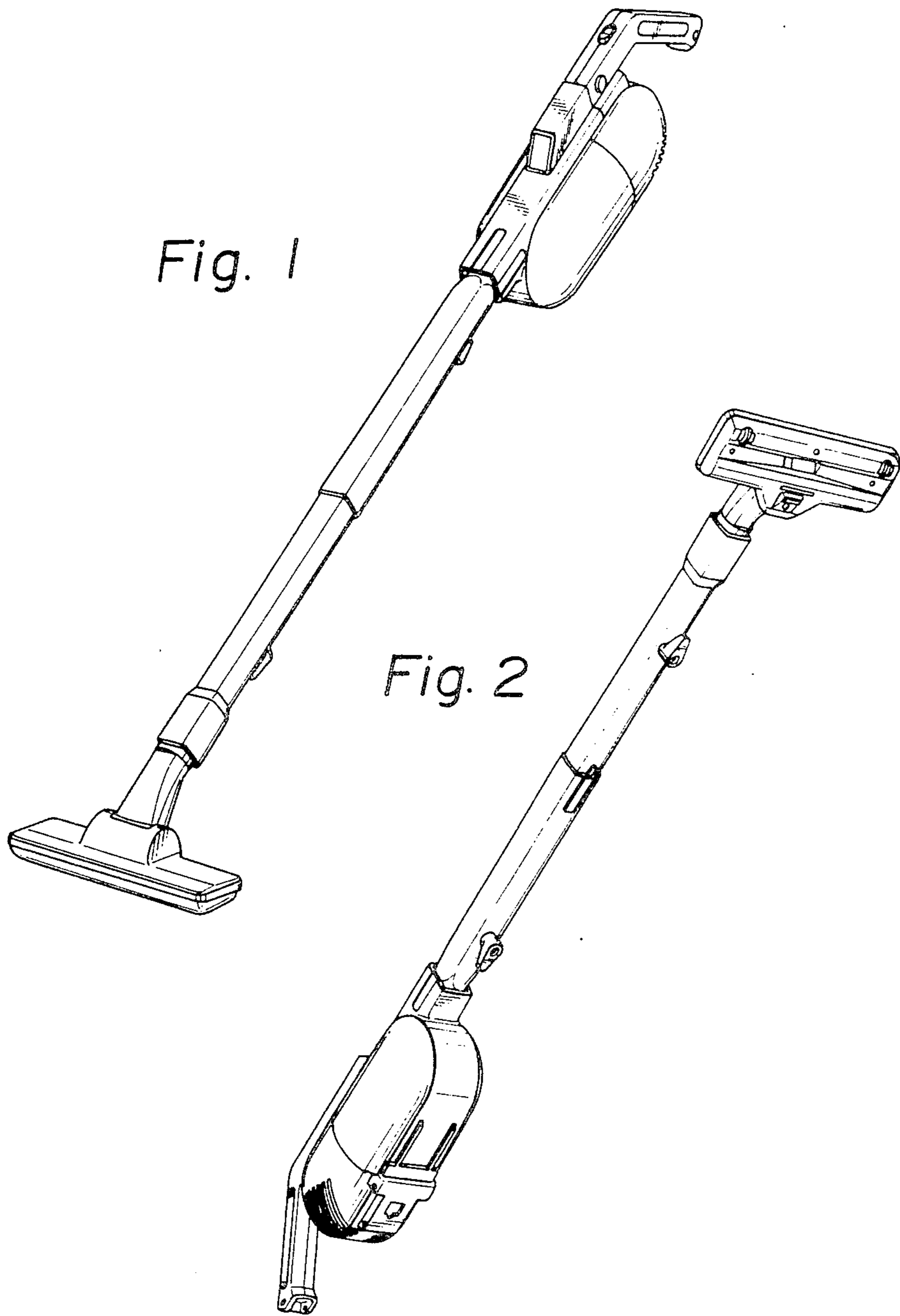


Fig. 1

Fig. 2