

[54] BALANCED LIGHT FOR DRAFTING TABLES

[75] Inventor: Charles Matthews, San Clemente, Calif.
[73] Assignee: Plan Hold Corporation, Irvine, Calif.

[**] Term: 14 Years

[21] Appl. No.: 447,479

[22] Filed: Dec. 7, 1982

[52] U.S. Cl. D26/60; D26/65

[58] Field of Search D26/60-66;
362/432, 414, 418, 419, 427, 429, 285, 287, 288,
267, 274, 396

[56] References Cited

U.S. PATENT DOCUMENTS

- D. 245,874 9/1977 Lap D26/65 X
- D. 253,310 10/1979 Harris D26/60
- 2,299,251 10/1942 Perbal .
- 3,041,060 6/1962 Jacobsen D26/60 X

- 3,489,384 1/1970 Perbal .
- 4,280,172 7/1981 Krogsrud D26/65 X

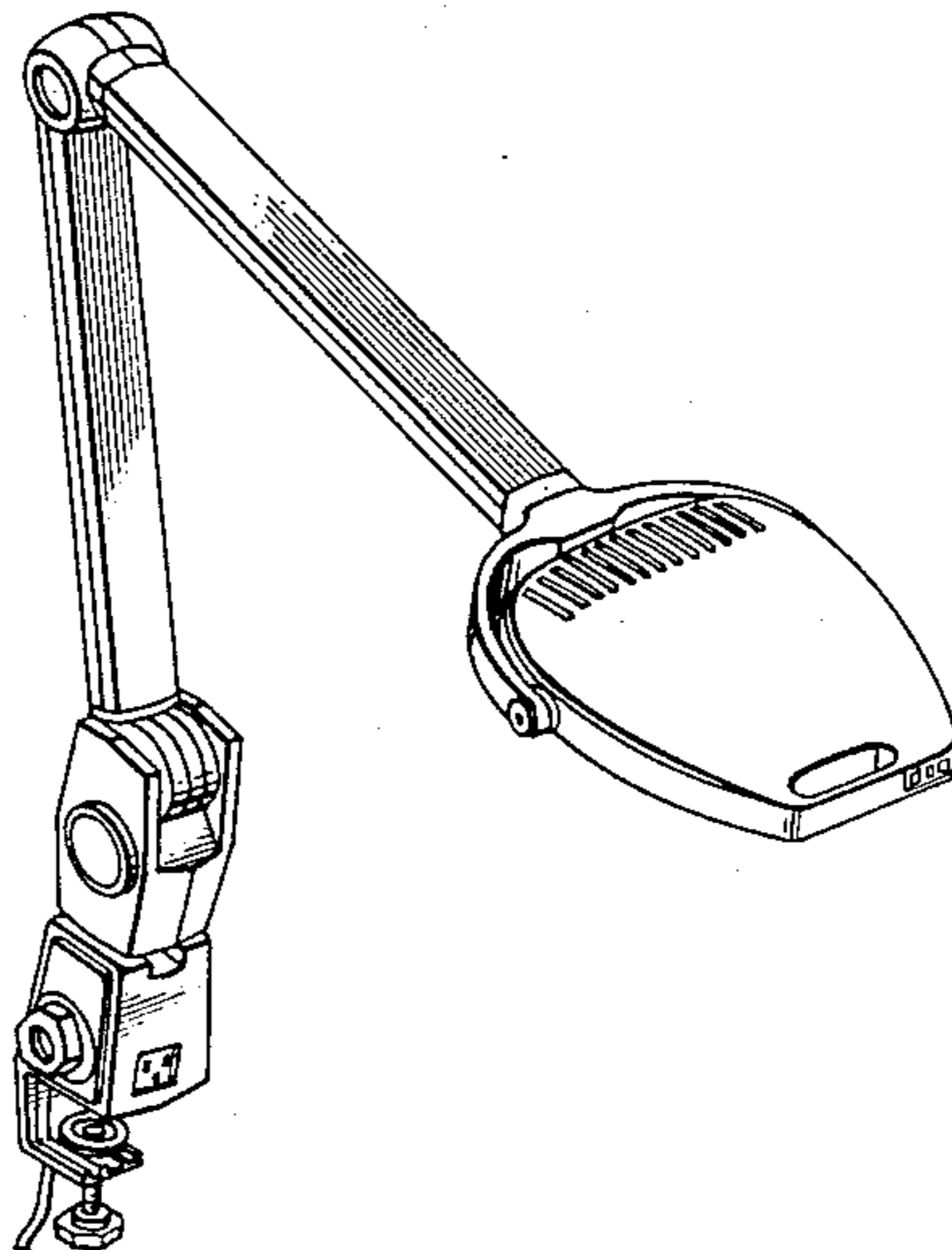
Primary Examiner—Susan J. Lucas
Attorney, Agent, or Firm—Poms, Smith, Lande and Rose

[57] CLAIM

The ornamental design for balanced light for drafting tables, as shown and described.

DESCRIPTION

FIG. 1 is a front perspective view of a balanced light for drafting tables or the like showing my new design;
 FIG. 2 is a rear perspective view thereof;
 FIG. 3 is a fragmentary top plan view of the balanced light for drafting tables or the like on an enlarged scale, the support being fragmentarily shown for convenience of illustration;
 FIG. 4 is a fragmentary side elevational view thereof;
 FIG. 5 is a fragmentary bottom plan view thereof; and
 FIGS. 6 and 7 are rear, front and elevational views of the lamp head on an enlarged scale, the yoke and support being omitted for convenience of illustration.



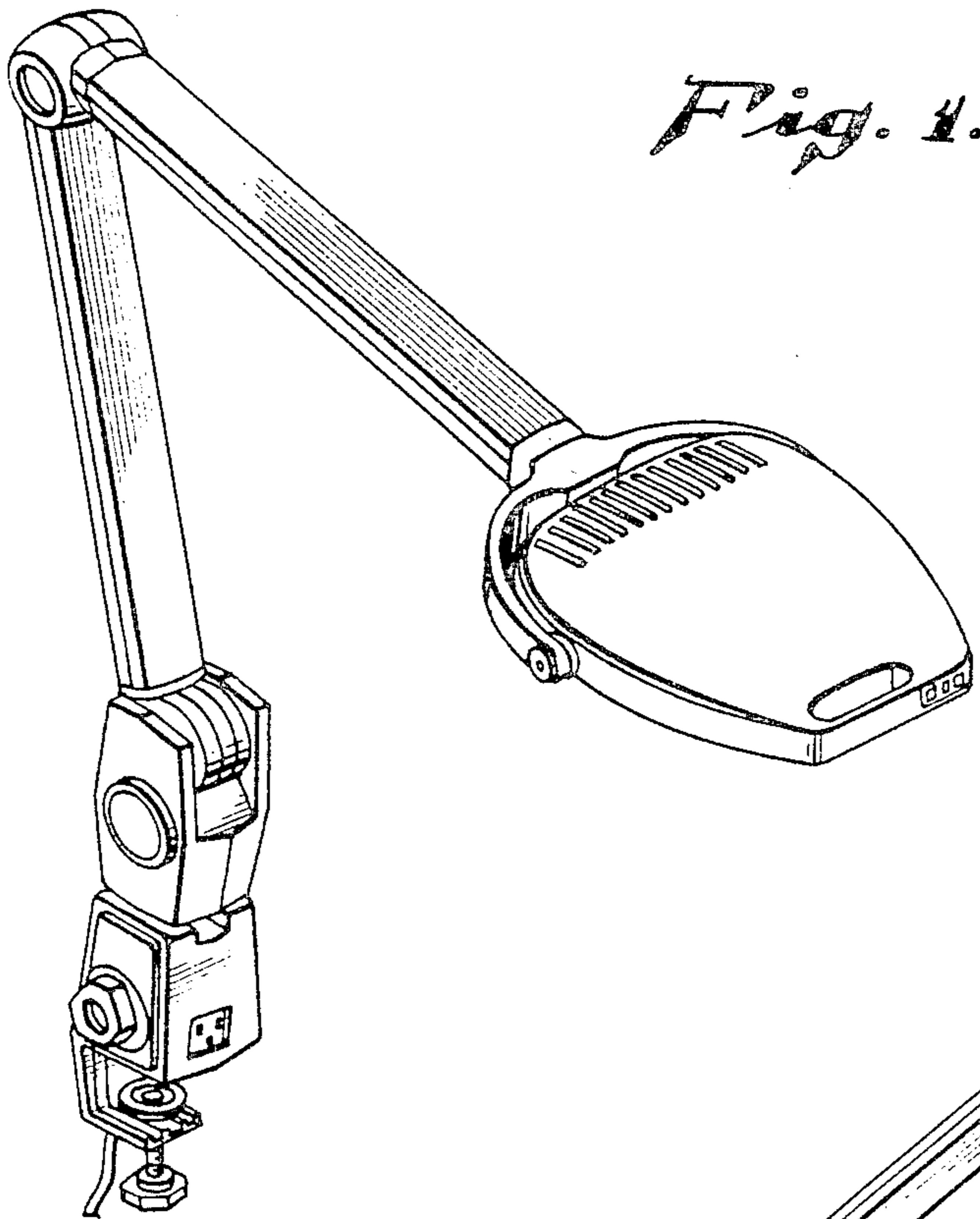


Fig. 1.

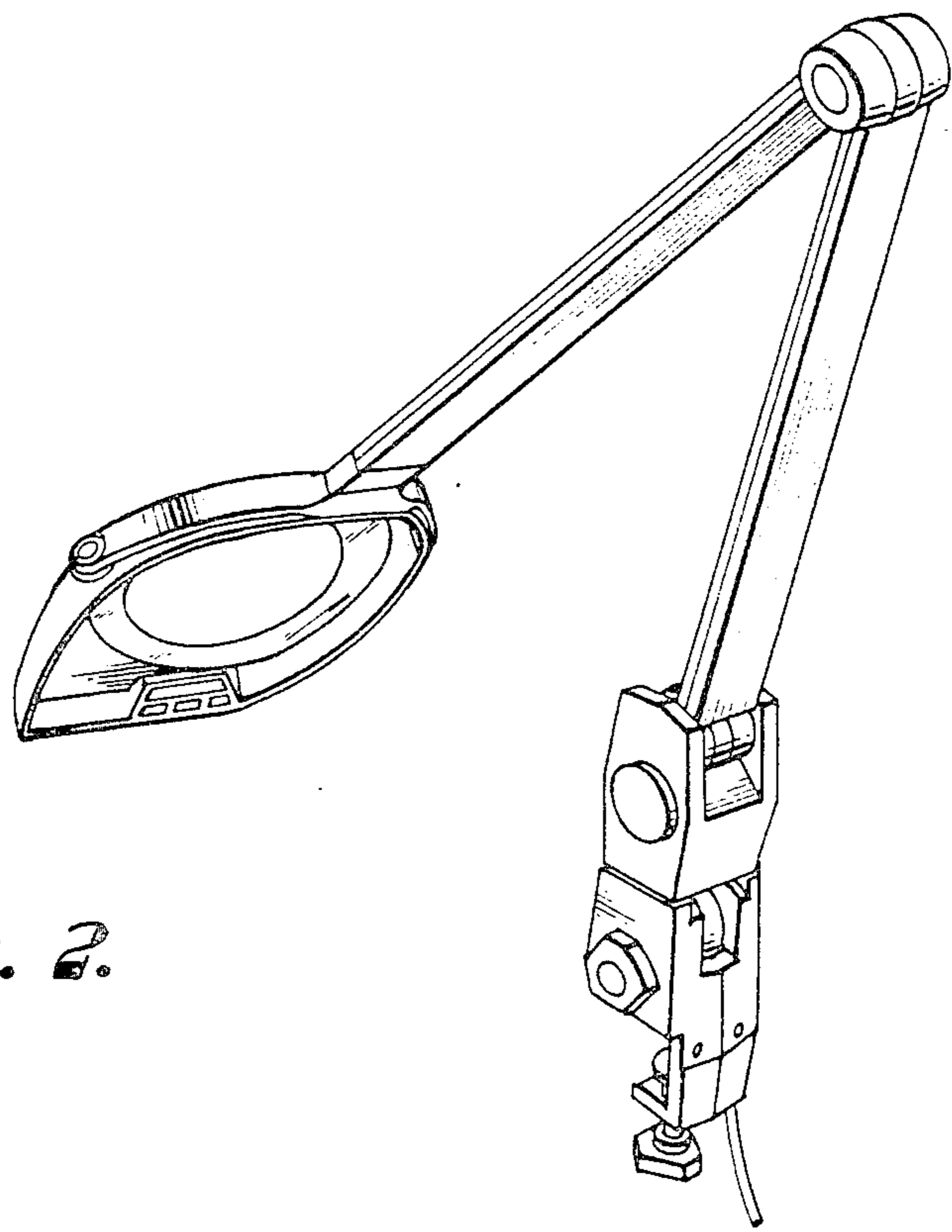


Fig. 2.

Fig. 3.

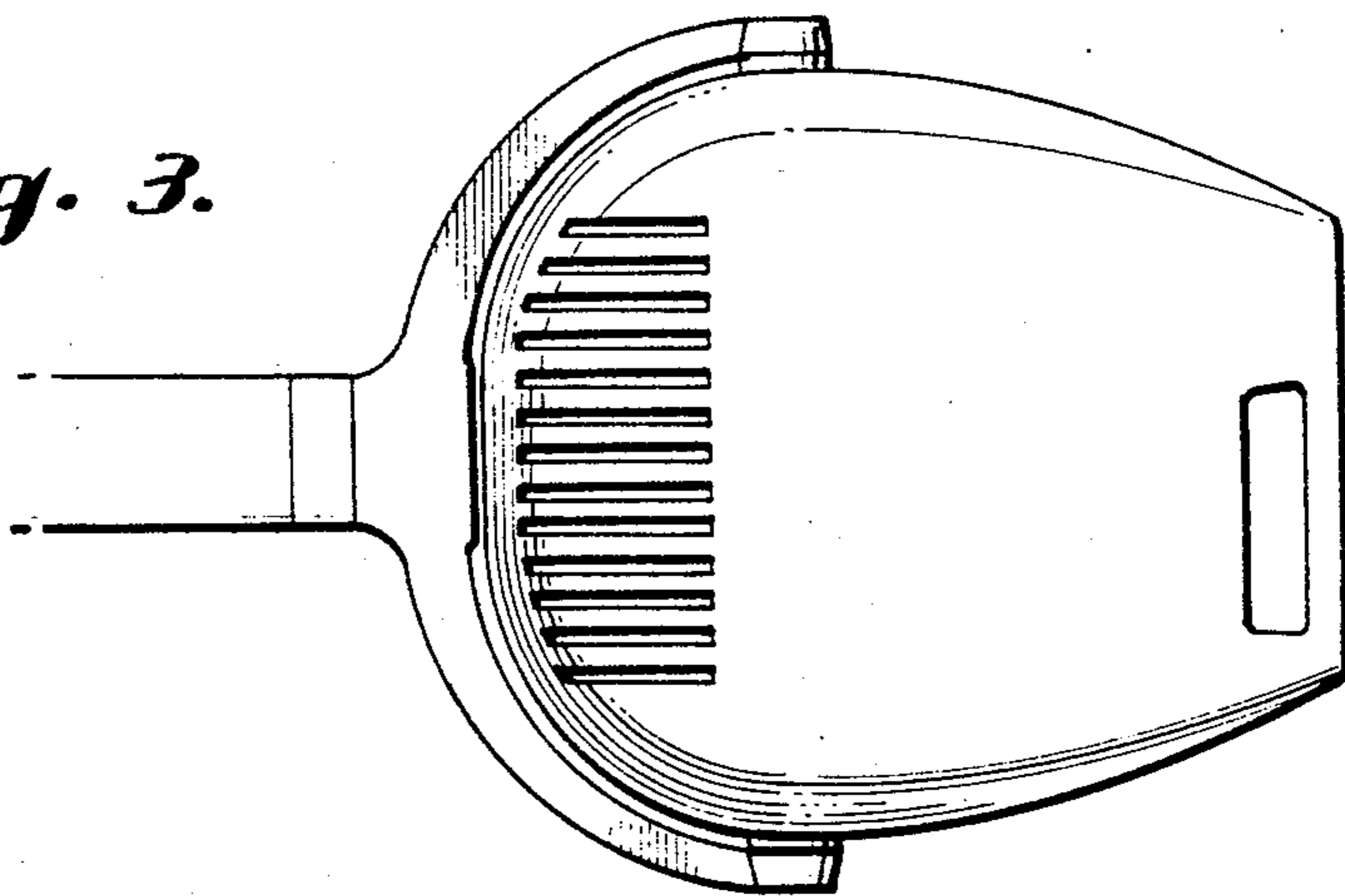


Fig. 4.

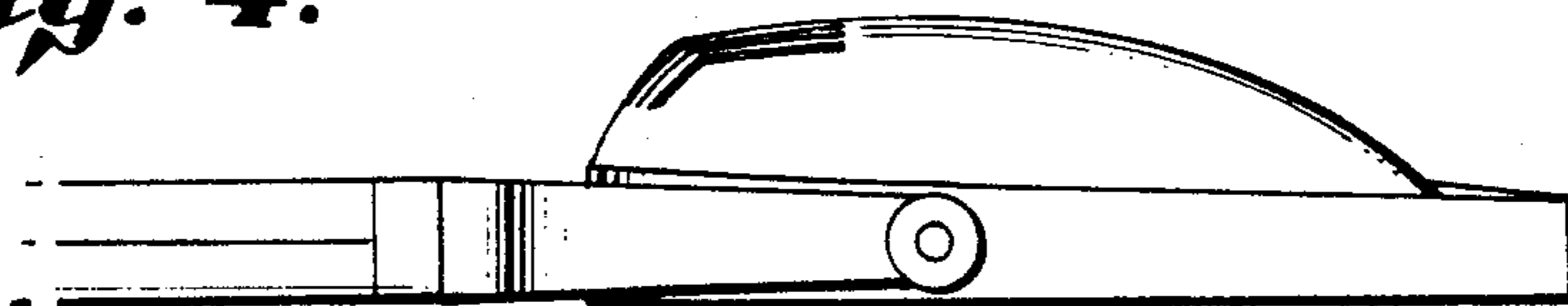


Fig. 5.

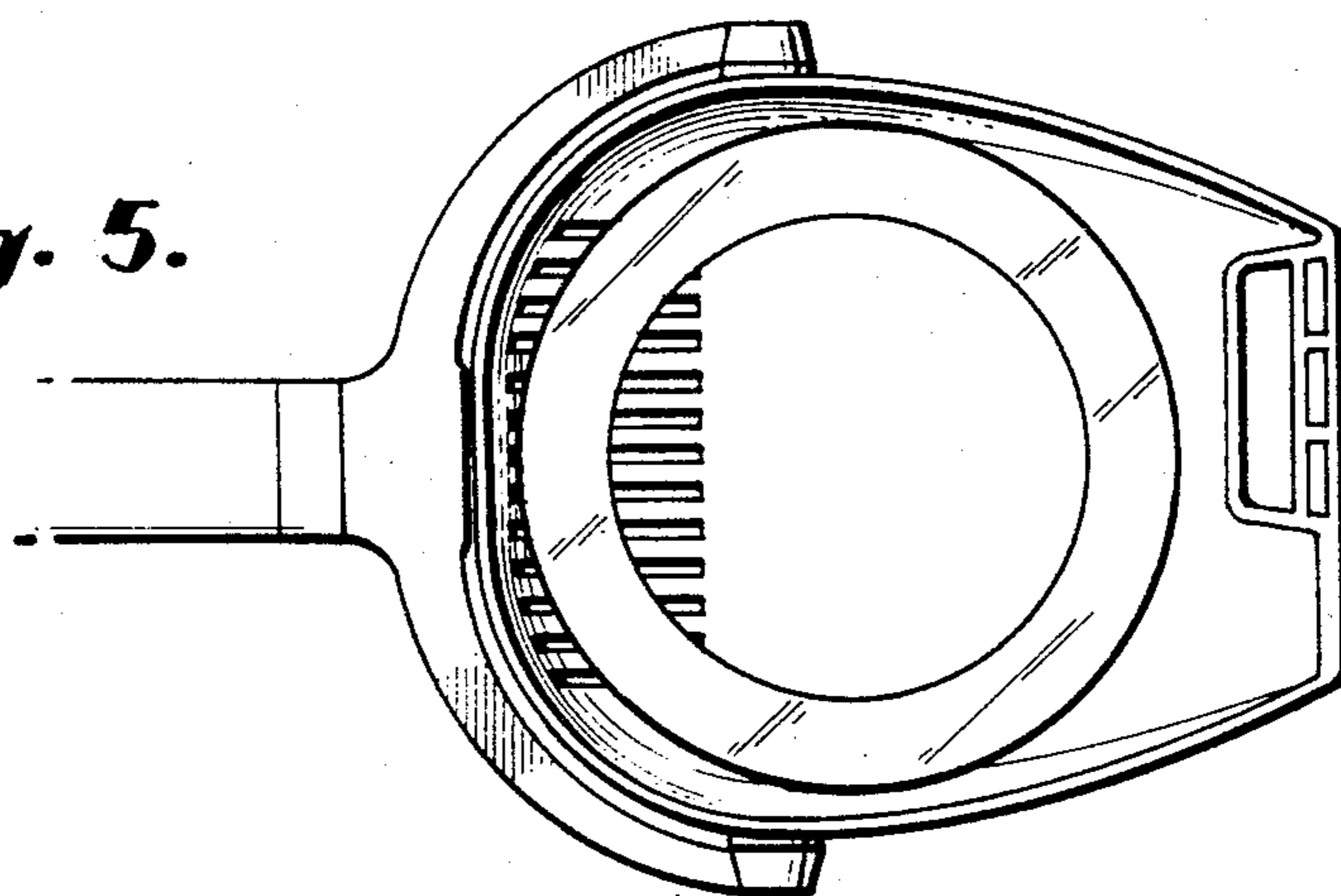


Fig. 6.

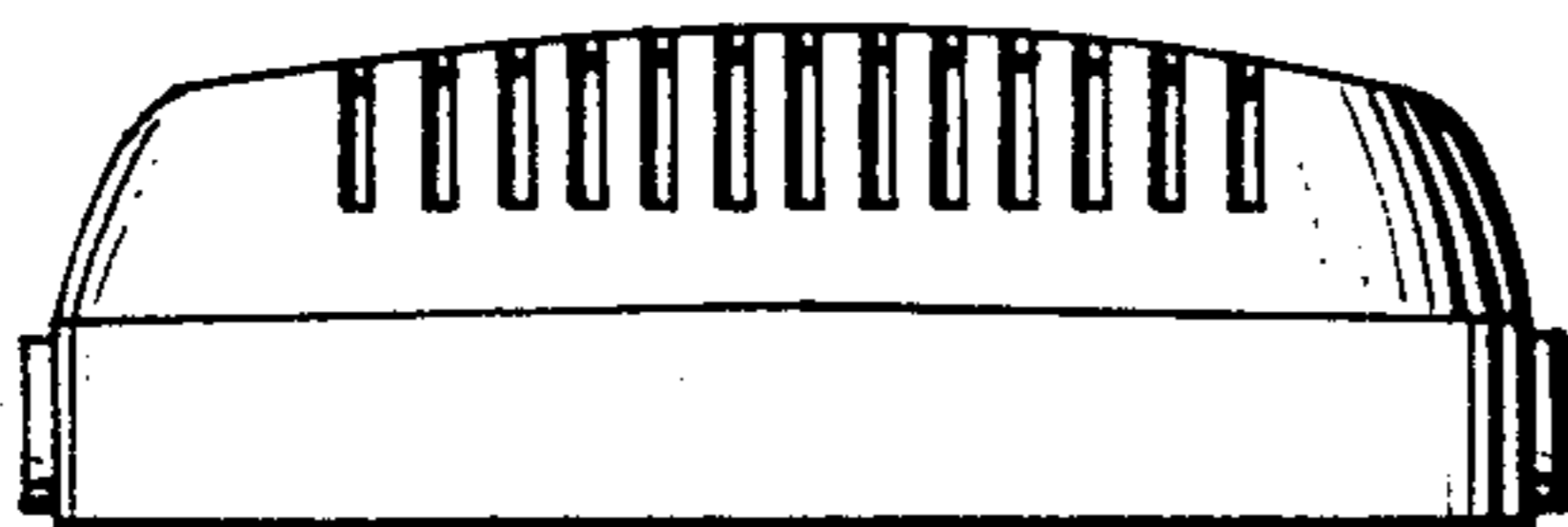


Fig. 7.

