

[54] FLASHLIGHT

[75] Inventor: Tor H. Petterson, Rancho Palos Verdes, Calif.

[73] Assignee: Rayovac Corporation, Madison, Wis.

[\*\*] Term: 14 Years

[21] Appl. No.: 507,515

[22] Filed: Jun. 24, 1983

[52] U.S. Cl. .... D26/49

[58] Field of Search ..... D26/37-50; 362/157, 158, 183-208

[56] References Cited

U.S. PATENT DOCUMENTS

- D. 188,956 10/1960 Graubner ..... D26/49
- D. 231,560 4/1974 Keller ..... D26/49
- 3,017,502 1/1962 Dent ..... D26/49 X
- 4,203,150 5/1980 Shamlan ..... 362/183

FOREIGN PATENT DOCUMENTS

- 1245899 9/1971 United Kingdom ..... 362/184

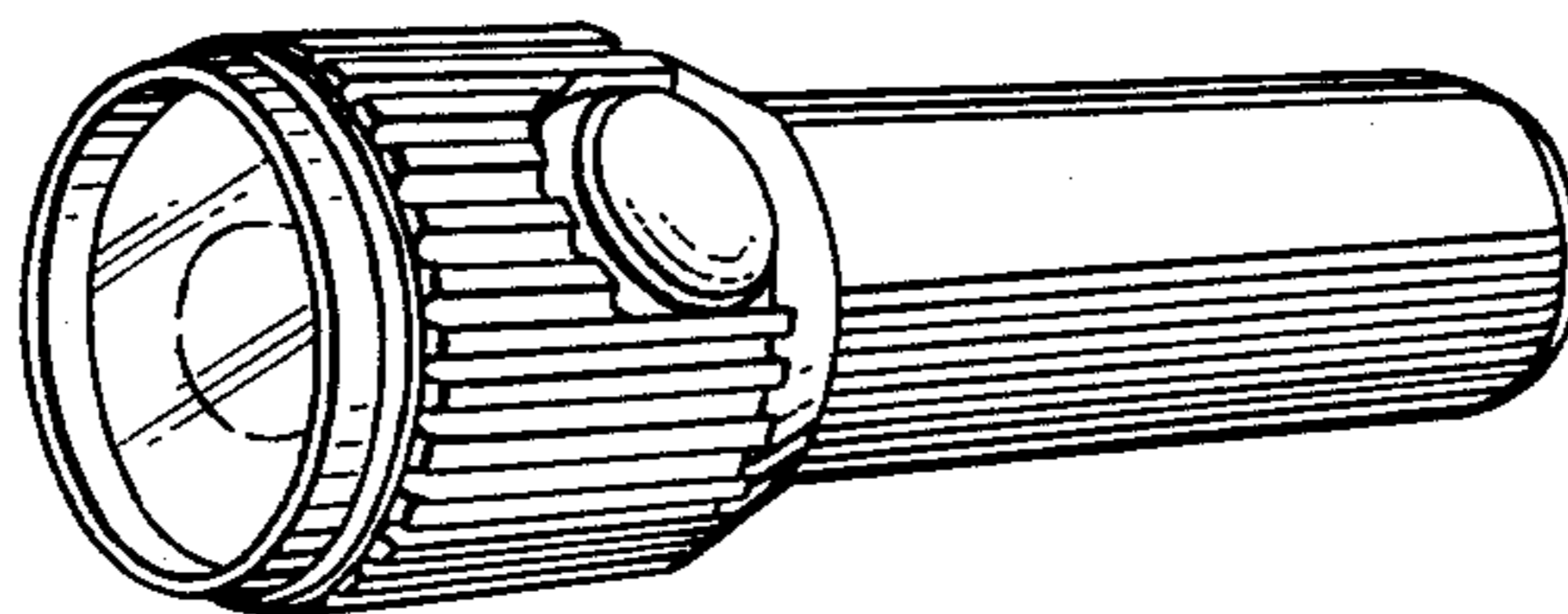
Primary Examiner—Susan J. Lucas  
Attorney, Agent, or Firm—Pretty, Schroeder,  
Brueggemann & Clark

[57] CLAIM

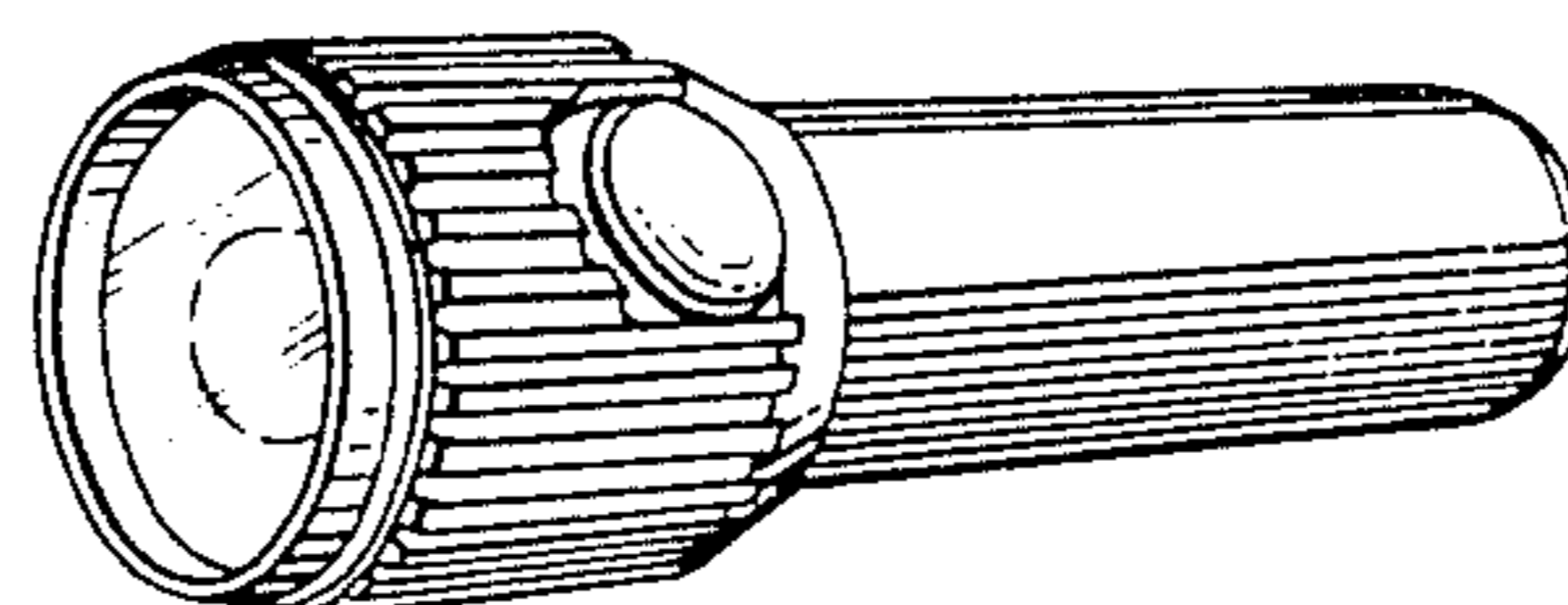
The ornamental design for a flashlight, substantially as shown.

DESCRIPTION

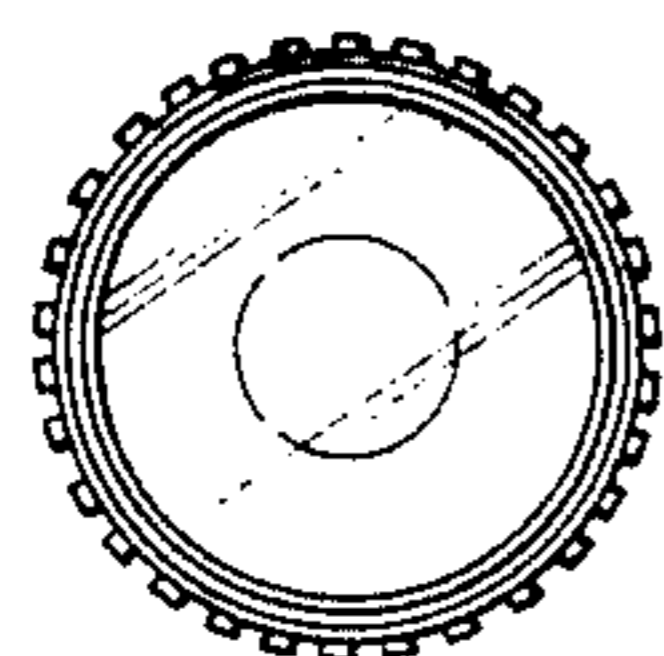
FIG. 1 is a perspective view of a flashlight embodying my new design;  
 FIG. 2 is a view of the flashlight taken in the direction facing its on/off switch;  
 FIG. 3 is a view of the flashlight taken in the direction facing its lens;  
 FIG. 4 is a view of the flashlight taken in the direction opposite that of FIG. 3;  
 FIG. 5 is a view of the flashlight taken in the direction opposite that of FIG. 2;  
 FIG. 6 is a view of the flashlight taken from the top side of FIG. 2; and  
 FIG. 7 is a view of the flashlight taken from the bottom side of FIG. 2.



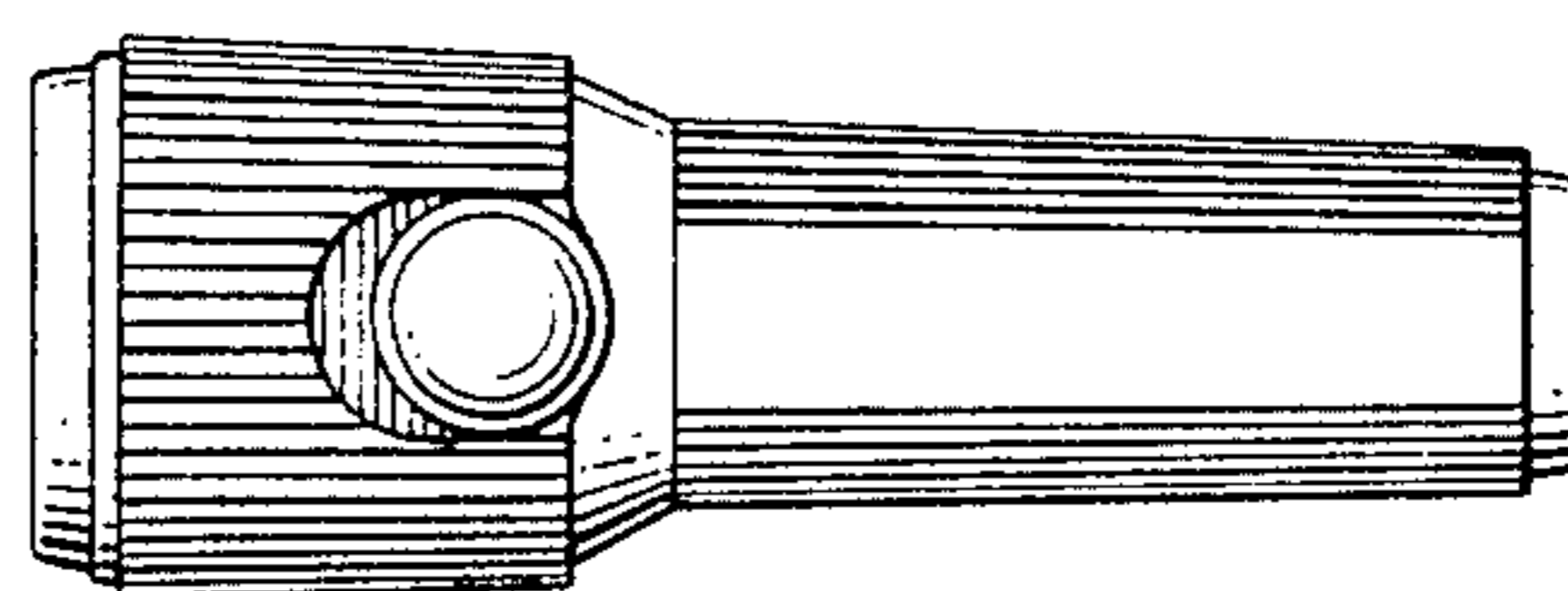
*FIG. 1*



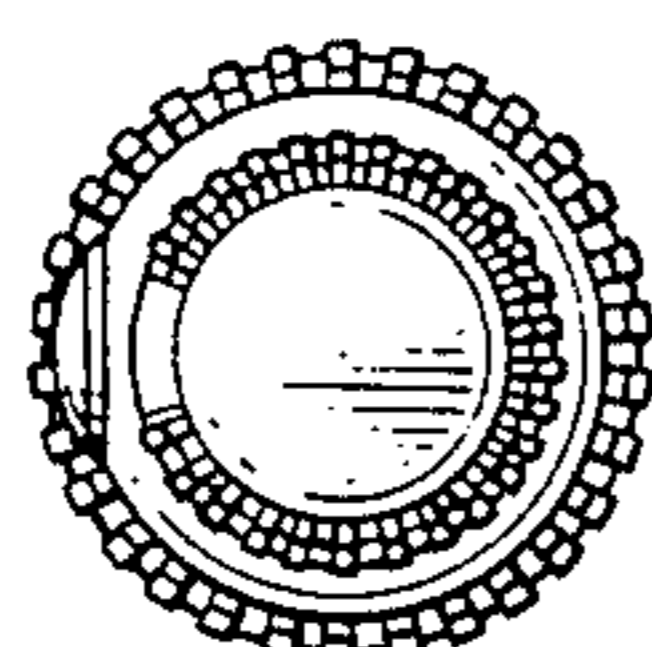
*FIG. 3*



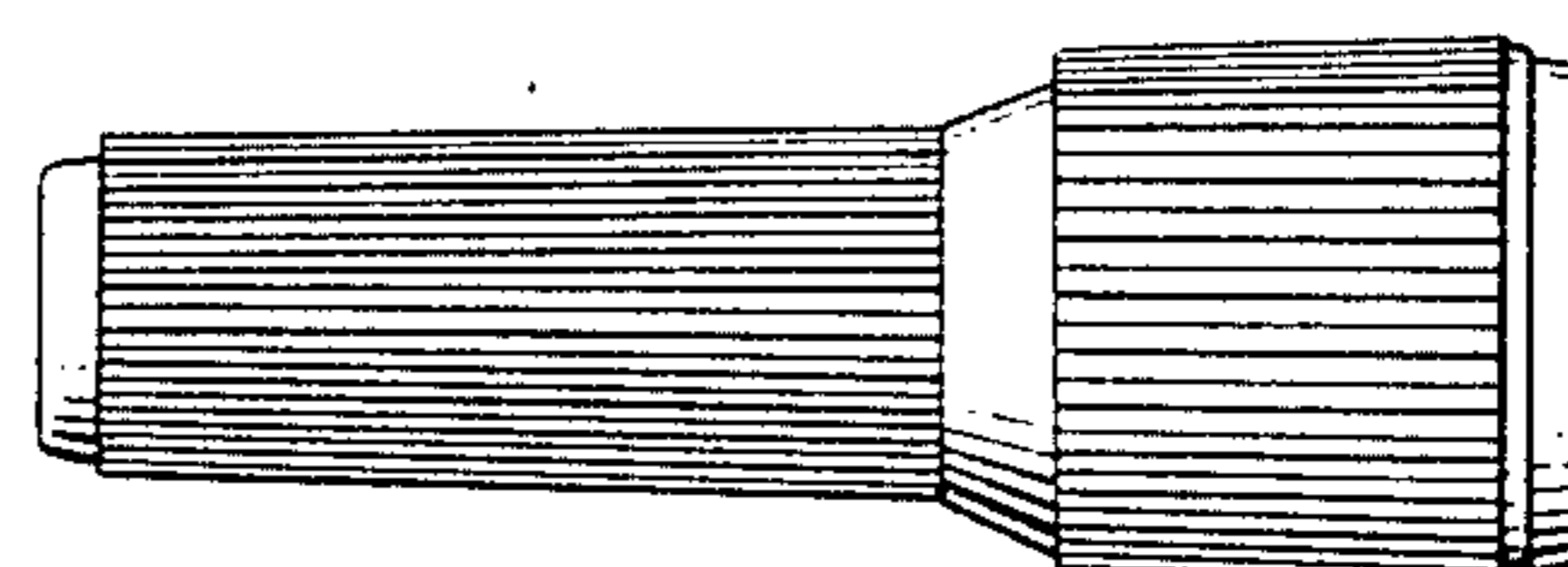
*FIG. 2*



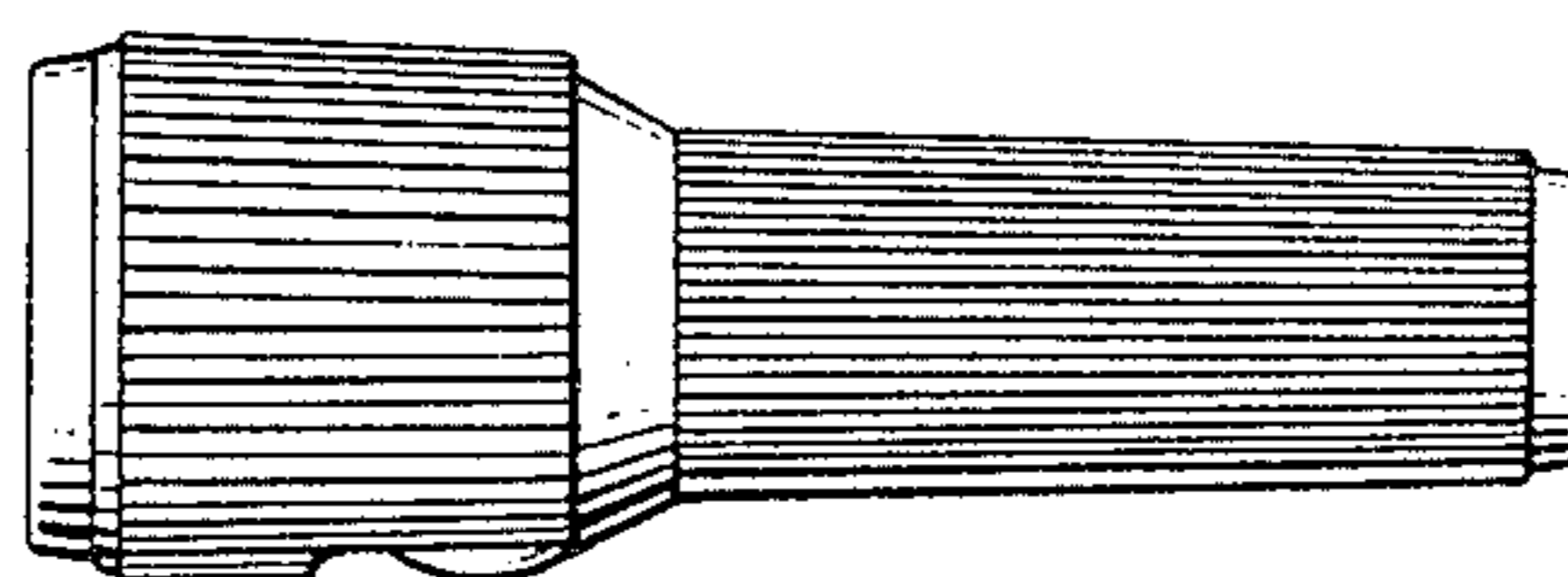
*FIG. 4*



*FIG. 5*



*FIG. 6*



*FIG. 7*

