

[54] **STRETCHER FOR CRIBBING**

[76] Inventors: Angelo Risi; Antonio Risi, both of P.O. Box 370, Gormley, Ontario, Canada, L0H 1G0

[\*\*] Term: 14 Years

[21] Appl. No.: 398,291

[22] Filed: Sep. 8, 1982

[30] **Foreign Application Priority Data**

Jun. 24, 1982 [CA] Canada ..... 24-06-82-1

[52] U.S. Cl. .... D25/80; D25/74

[58] Field of Search ..... 405/16, 35, 33, 34, 405/30, 31, 273, 275, 272, 262, 284, 286, 285; D25/73, 74, 75, 76, 77, 78, 80, 85, 86, 91, 92, 93, 97

[56] **References Cited**

**U.S. PATENT DOCUMENTS**

847,476	3/1907	Hodges	.....	D25/80 X
1,248,070	11/1917	Buente	.....	405/273
1,907,053	5/1933	Flath	.....	405/273
3,631,682	1/1972	Hilfiker et al.	.....	405/273
4,067,166	1/1978	Sheahan	.....	405/284 X

Primary Examiner—A. Hugo Word  
Attorney, Agent, or Firm—Weldon F. Green

[57] **CLAIM**

The ornamental design for a stretcher for cribbing, as shown and described.

**DESCRIPTION**

FIG. 1 is a perspective view of the first embodiment

showing our new design taken from a point forwardly and upwardly and to the left of the front elevation thereof illustrated in FIG. 4.

FIG. 2 is a perspective view taken from a point rearwardly and downwardly and to the right of the front elevation of the first embodiment illustrated in FIG. 4.

FIG. 3 is an end elevational view taken from the right of the first embodiment illustrated in FIG. 4.

FIG. 4 is a front elevational view of the first embodiment showing our new design.

FIG. 5 is a perspective view of the second embodiment showing our new design taken from a point forwardly and upwardly and to the left of the front elevation thereof illustrated in FIG. 8.

FIG. 6 is a perspective view taken from a point rearwardly and downwardly and to the right of the front elevation of the second embodiment illustrated in FIG. 8.

FIG. 7 is an end elevational view taken from the right of the second embodiment illustrated in FIG. 8.

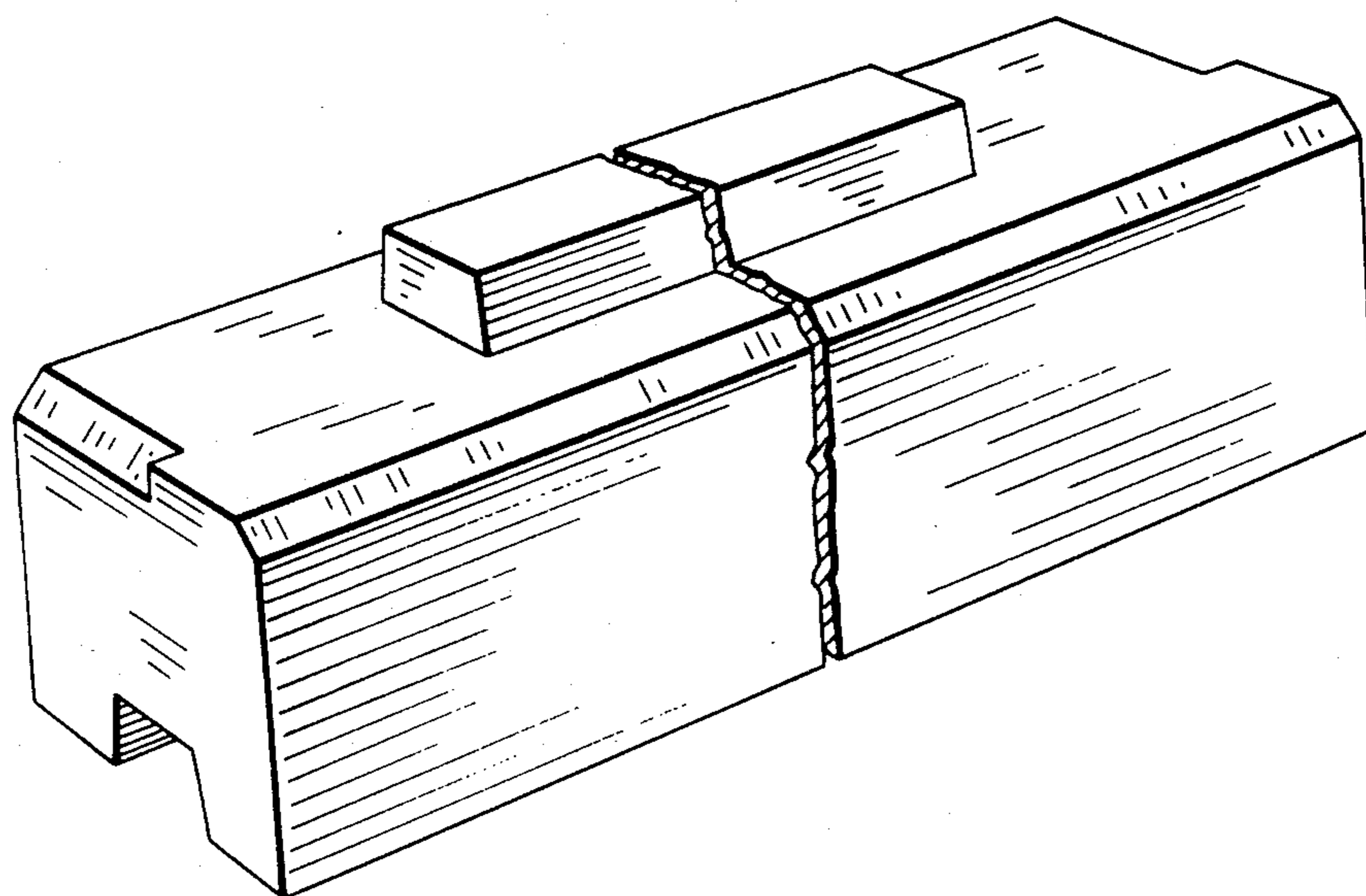
FIG. 8 is a front elevational view of the second embodiment showing our new design.

FIG. 9 is a perspective view of the third embodiment showing our new design taken from a point forwardly and upwardly and to the left of the front elevation thereof, as illustrated in FIG. 12.

FIG. 10 is a perspective view taken from a point rearwardly and downwardly and to the right of the front elevation of the third embodiment illustrated in FIG. 12.

FIG. 11 is an end elevational view taken from the right of the third embodiment illustrated in FIG. 12.

FIG. 12 is a front elevational view of the third embodiment showing our new design.



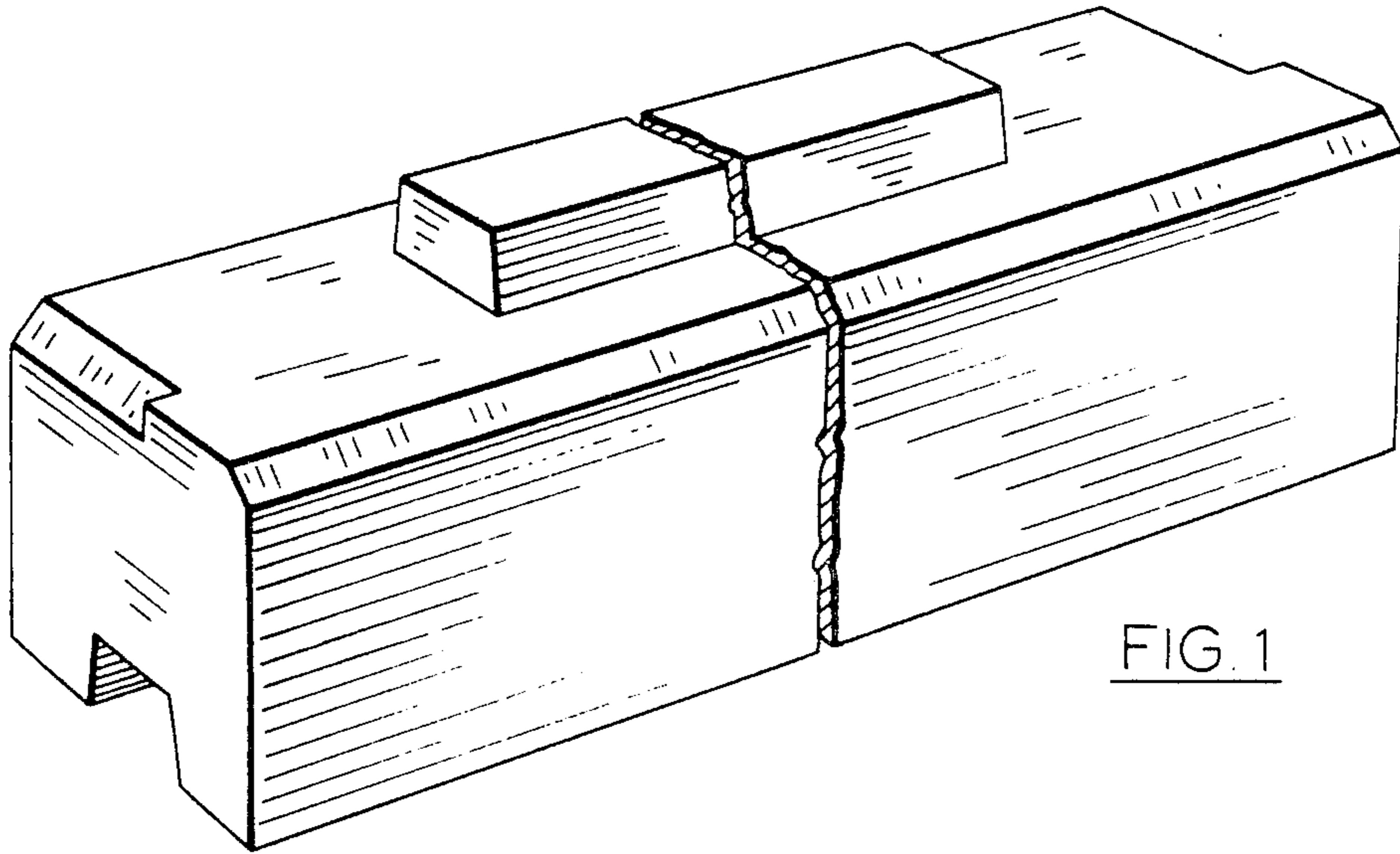


FIG. 1

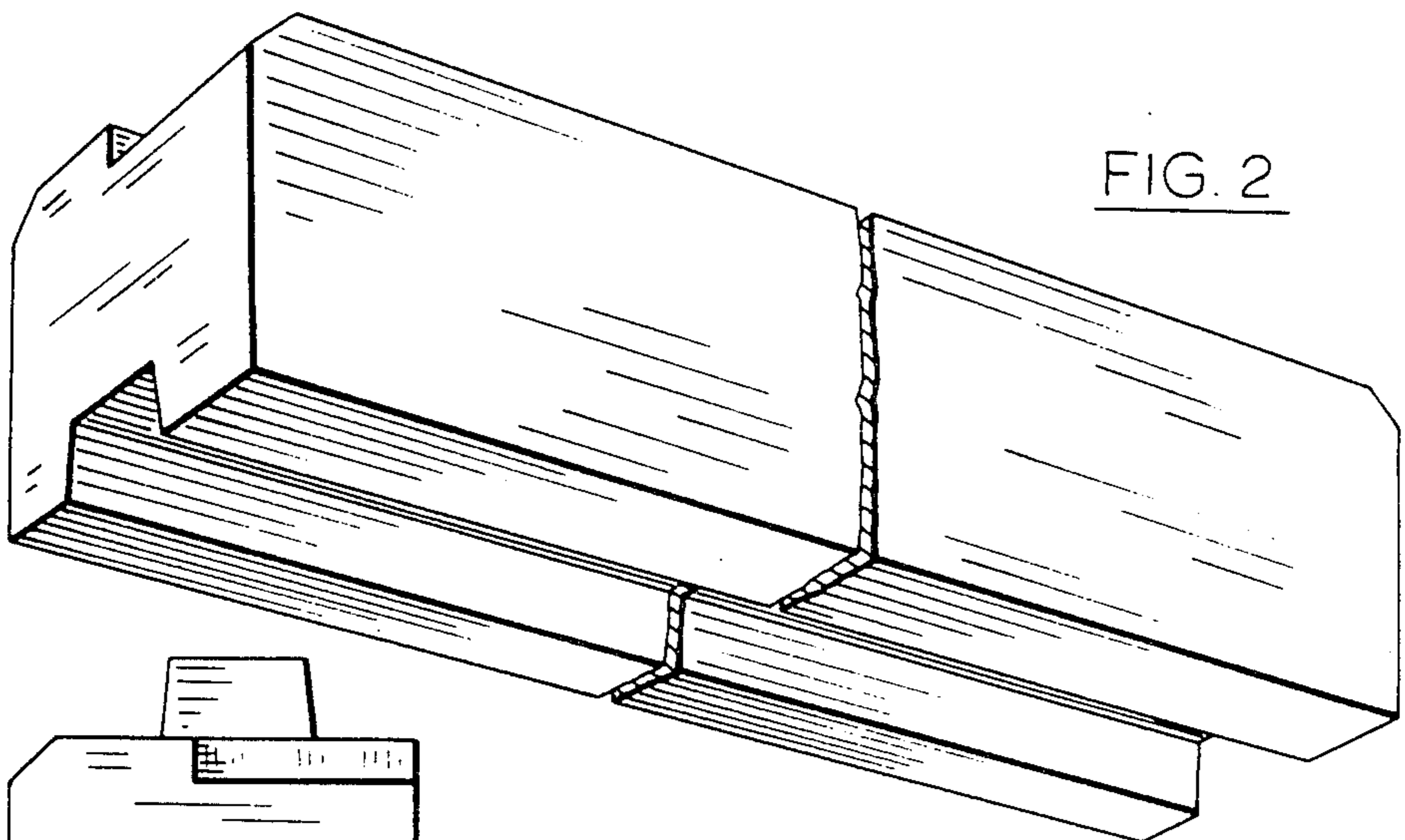


FIG. 2

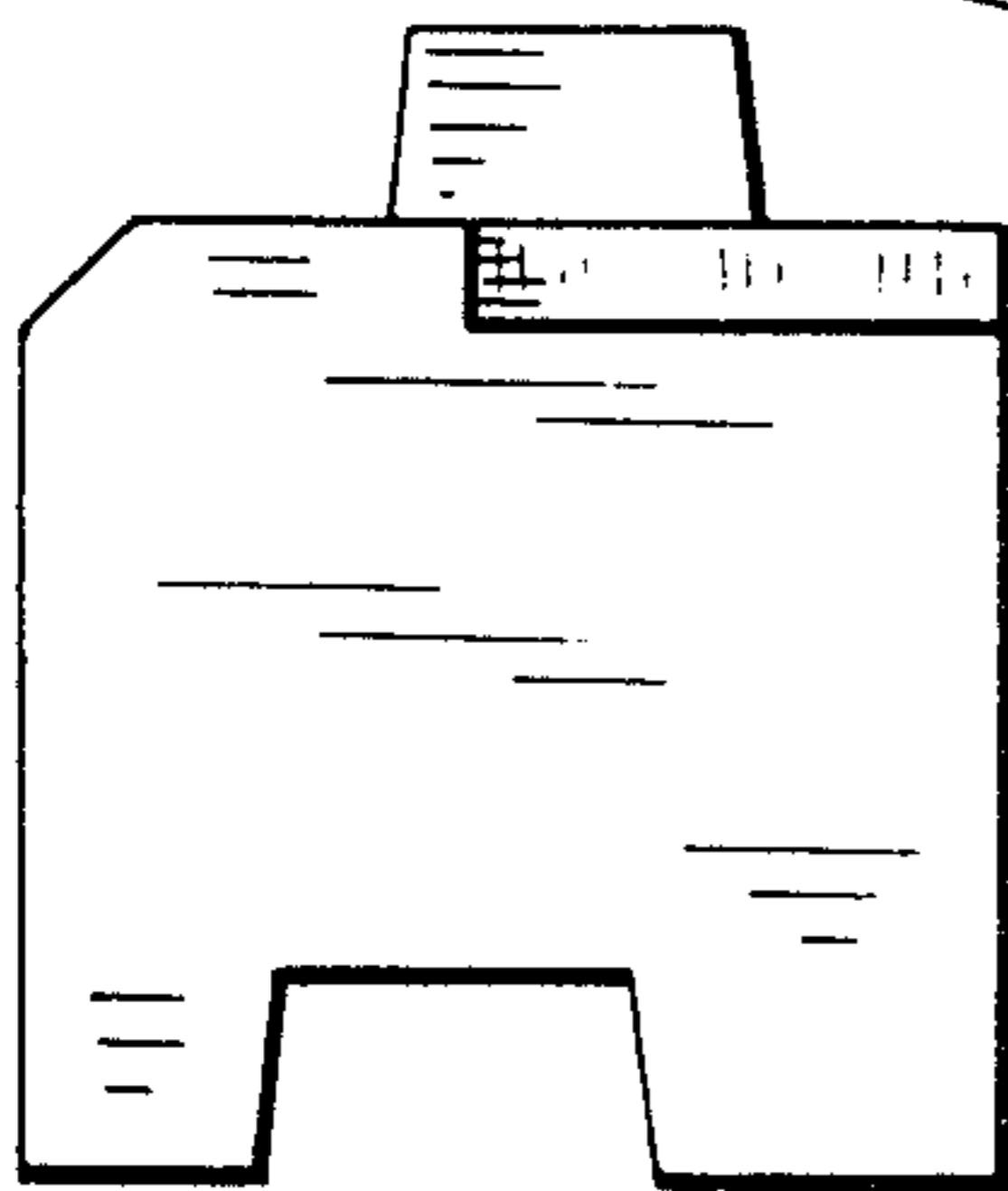


FIG. 3

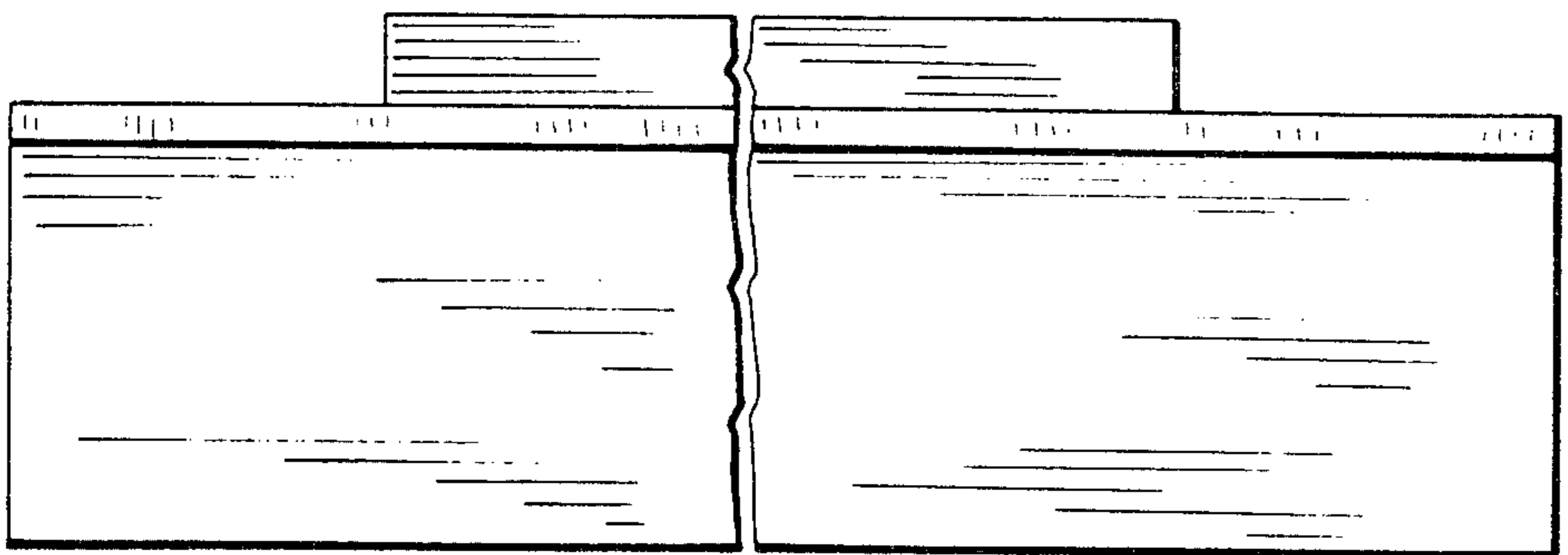


FIG. 4

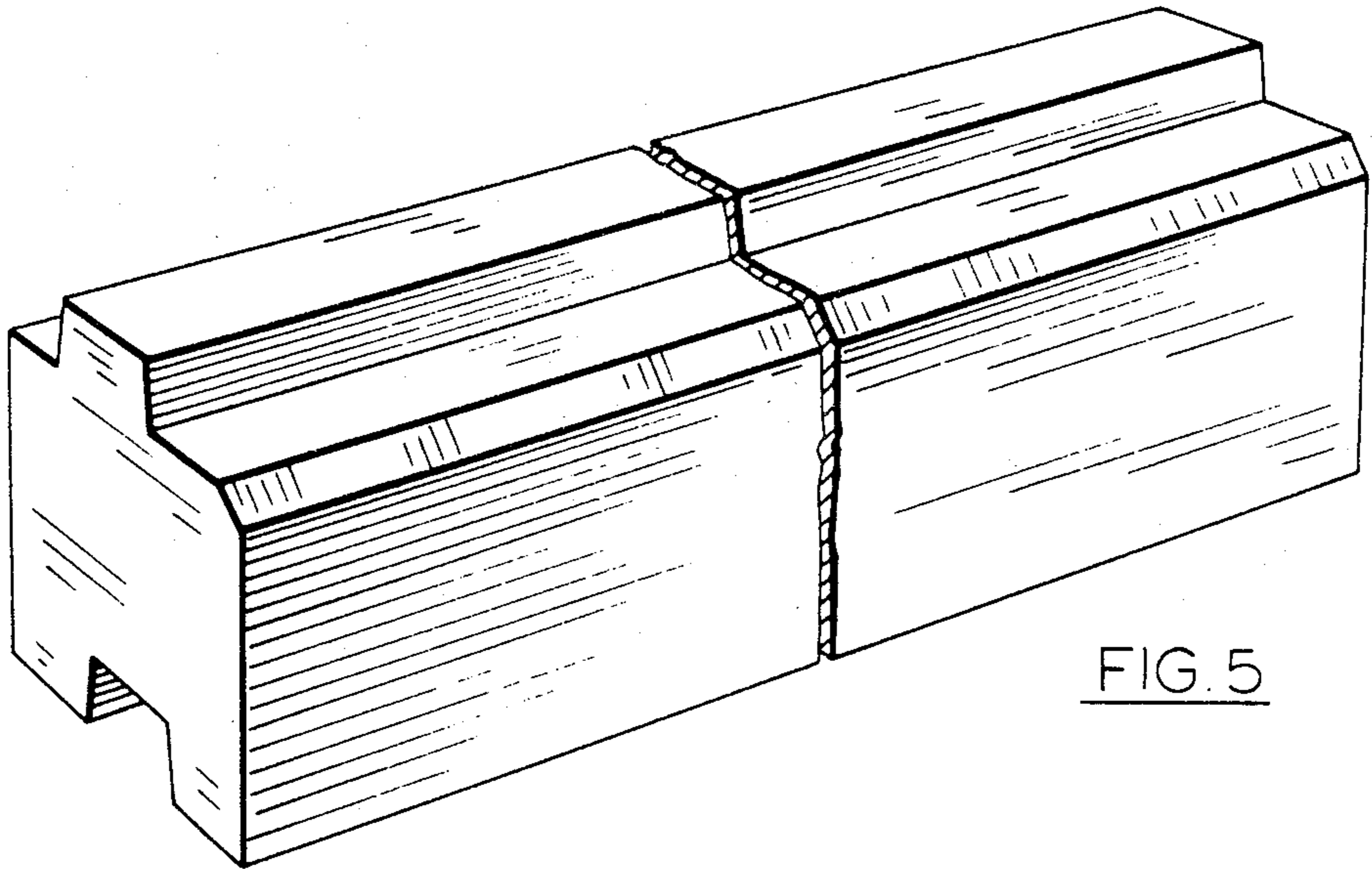


FIG. 5

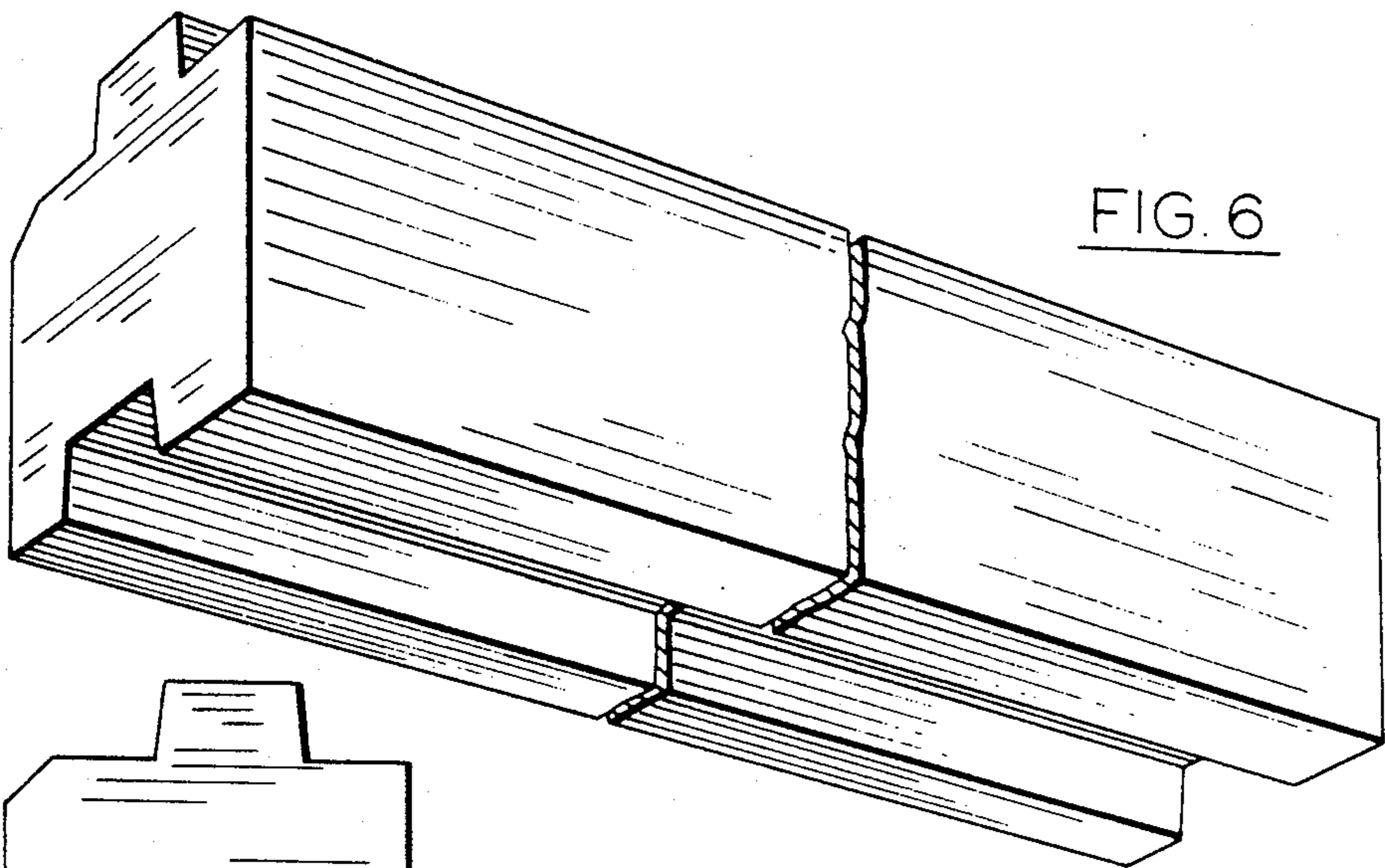


FIG. 6

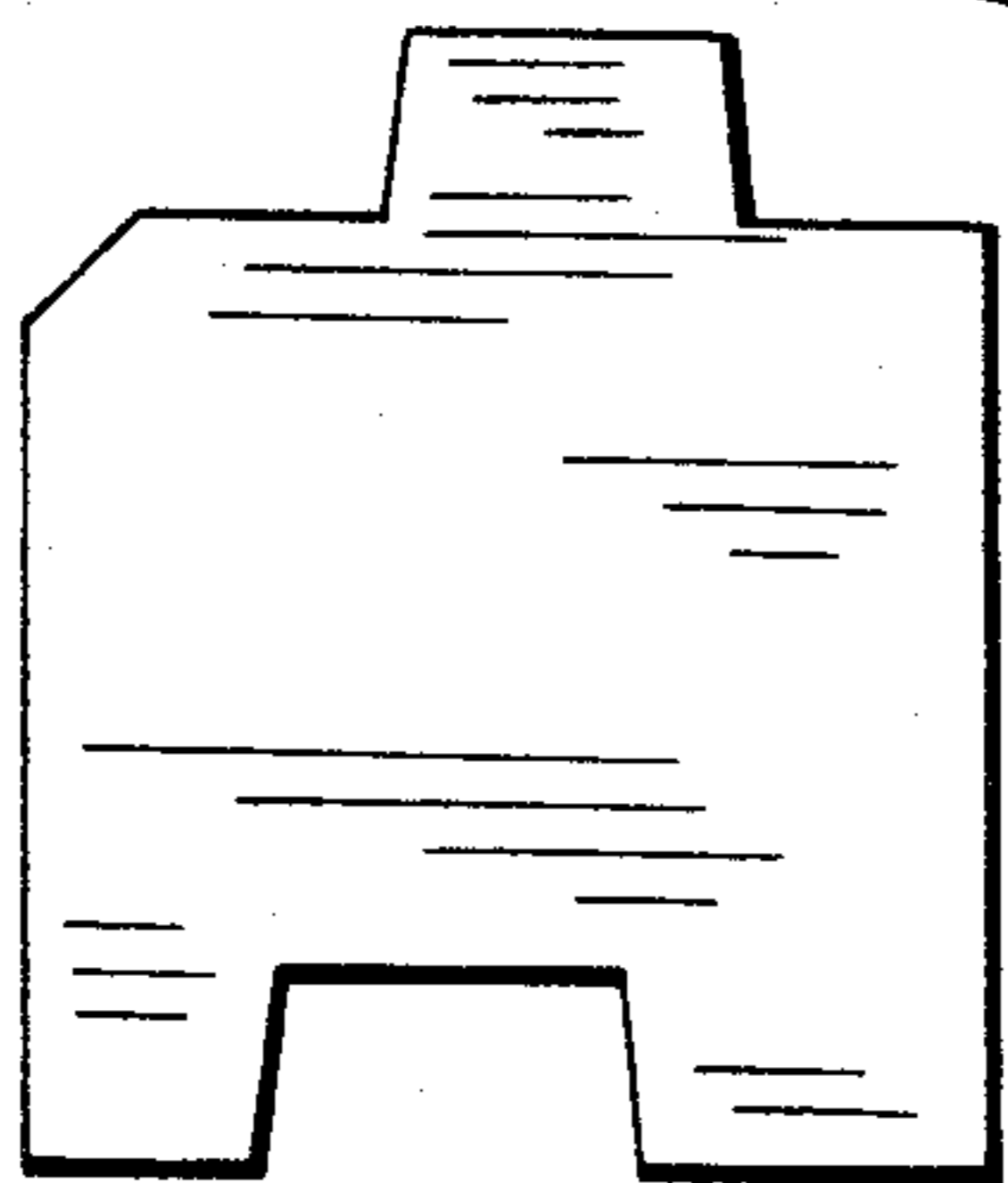


FIG. 7

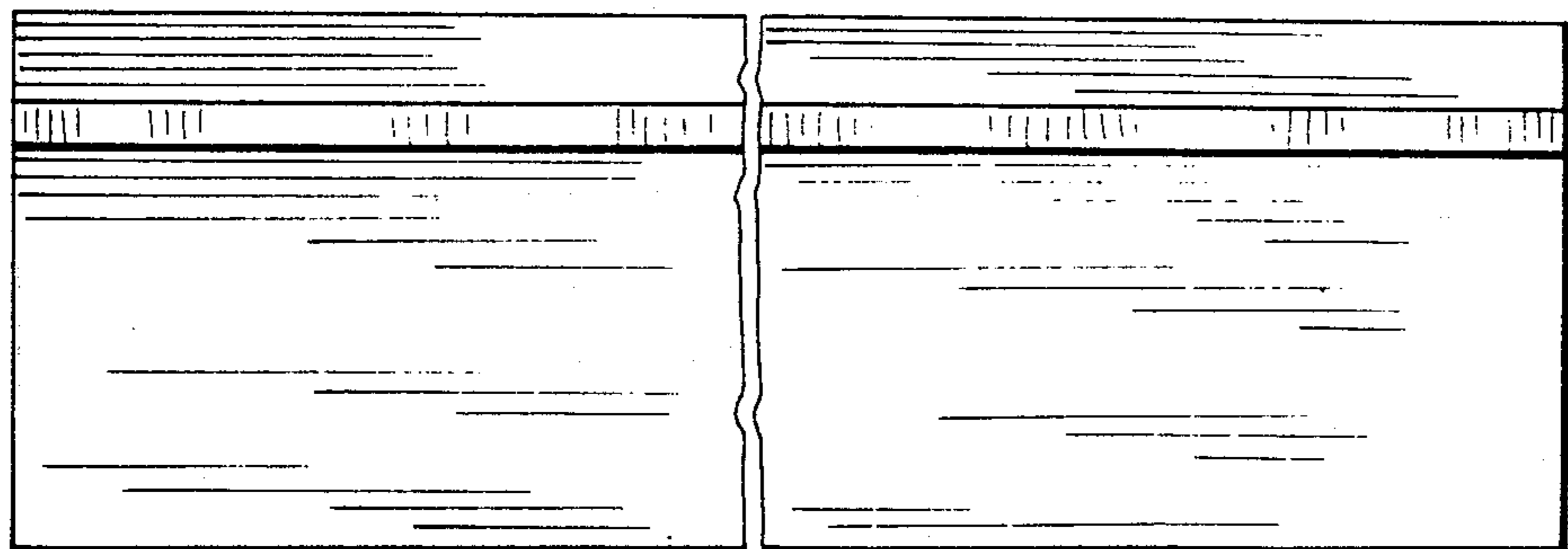


FIG. 8

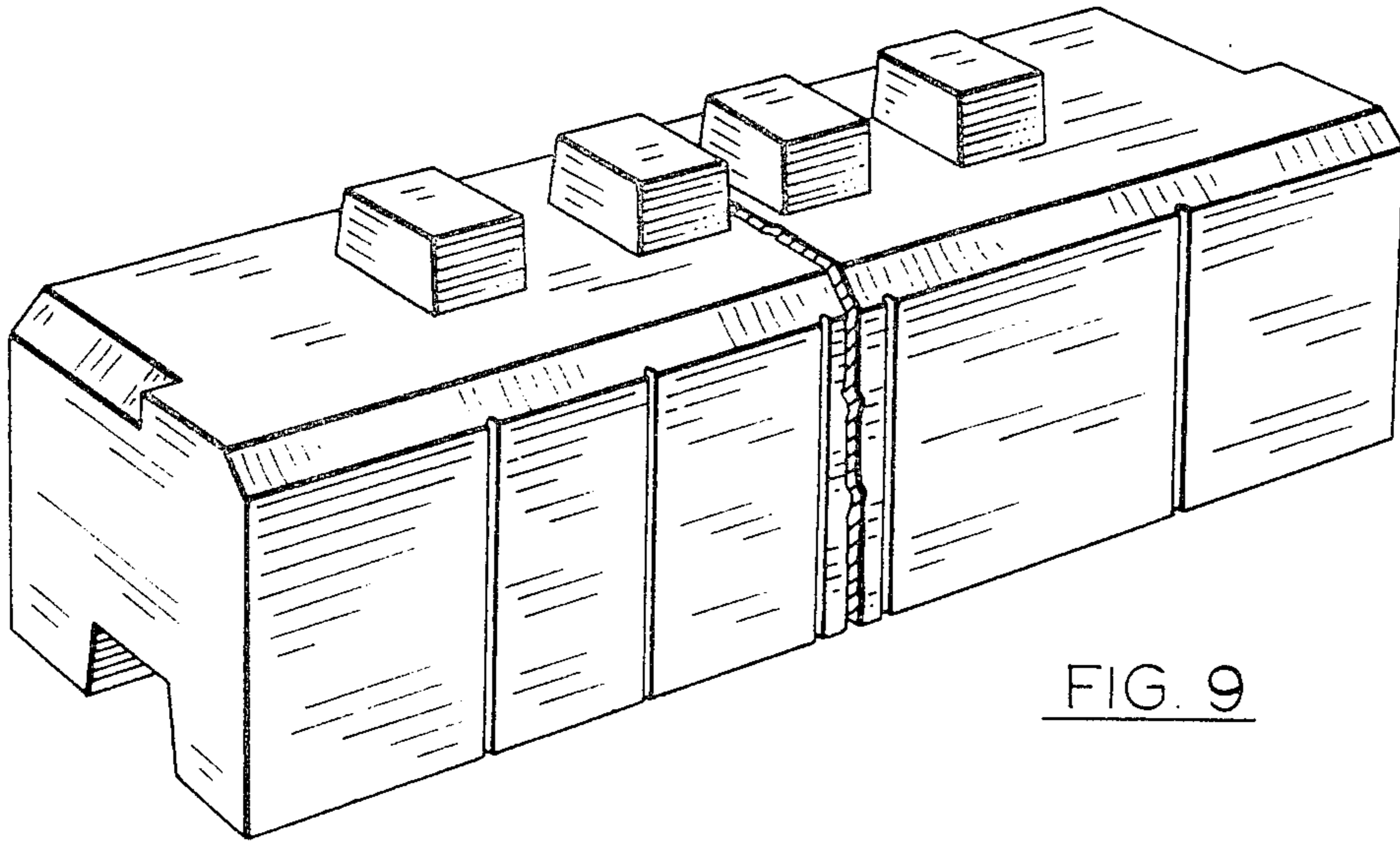


FIG. 9

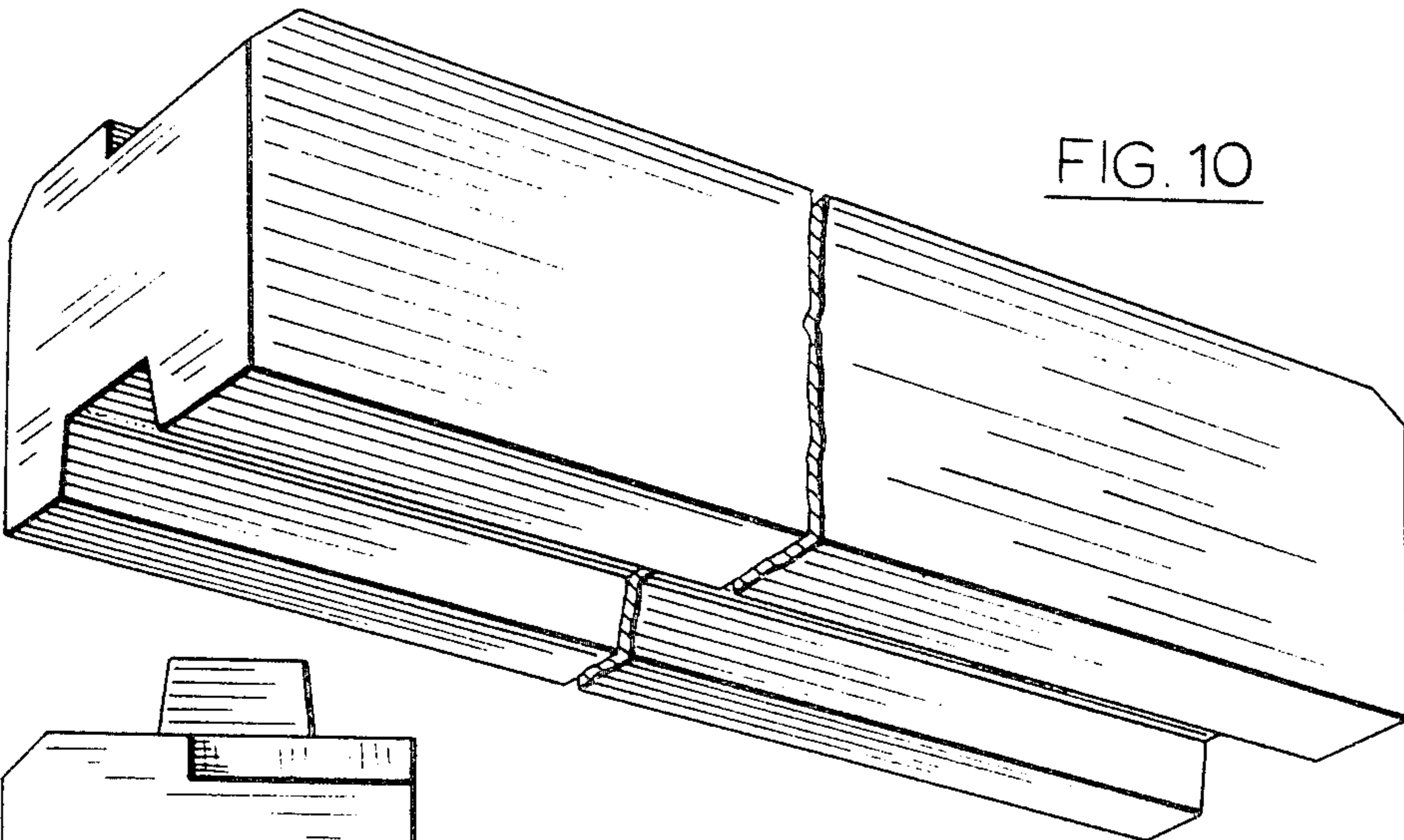


FIG. 10

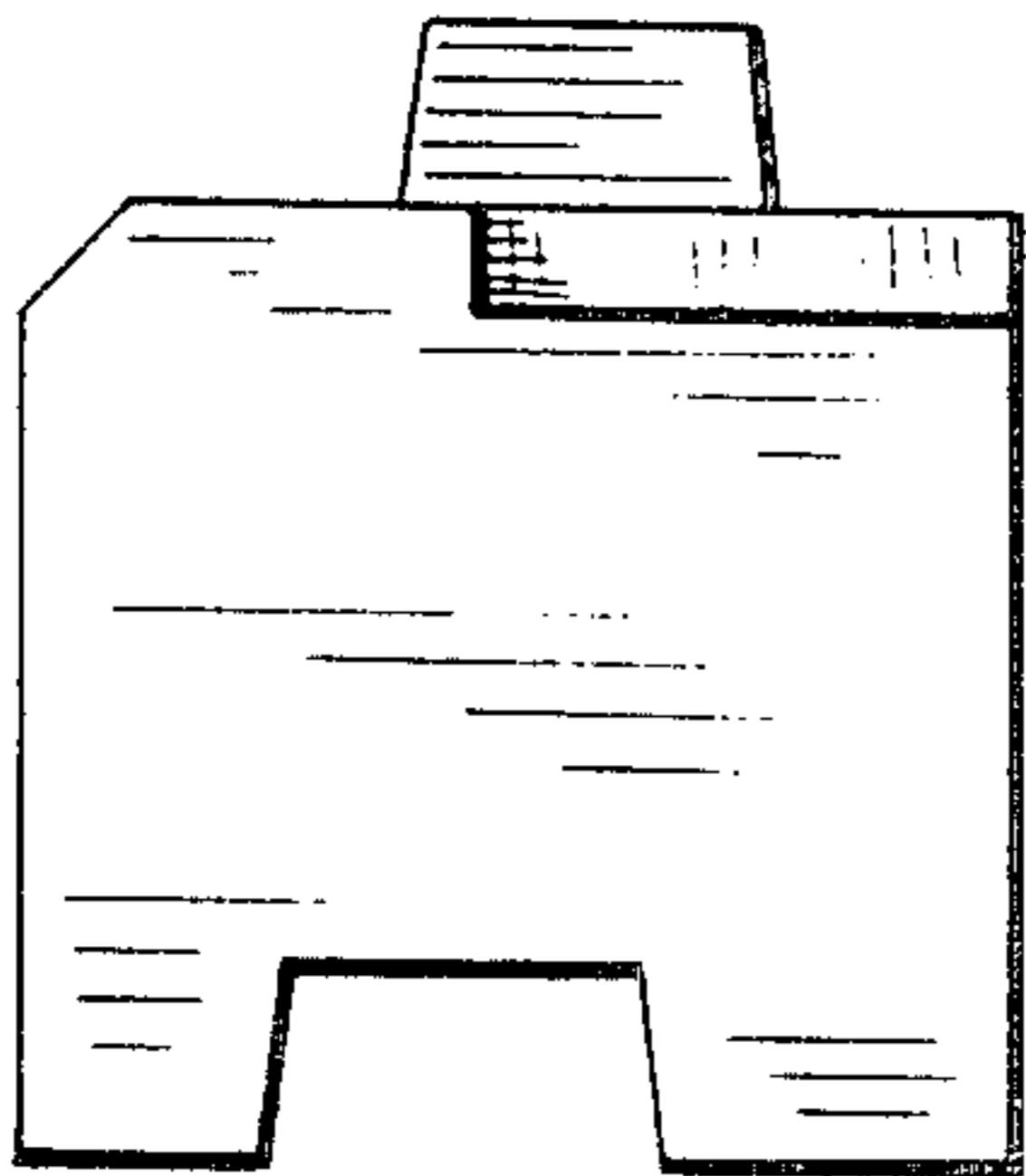


FIG. 11

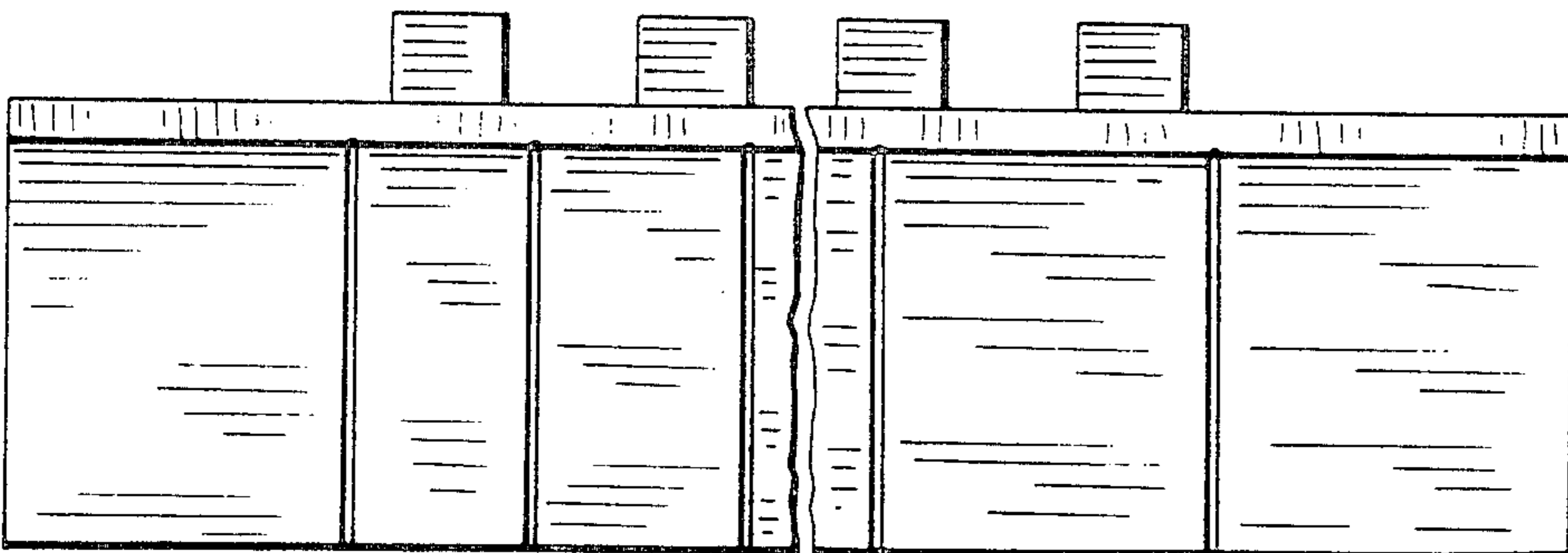


FIG. 12