

[54] WOUND DRAINAGE RESERVOIR

[75] Inventors: Matthew W. Bootman, Goleta; Peter Schillke, Santa Barbara; Stephen W. Laguette, Santa Barbara, all of Calif.

[73] Assignee: American Hospital Supply Corporation, Evanston, Ill.

[**] Term: 14 Years

[21] Appl. No.: 410,181

[22] Filed: Aug. 19, 1982
(Under 37 CFR 1.47)

[52] U.S. Cl. D24/56; D24/58

[58] Field of Search D24/51, 52, 55, 60, D24/61, 56; 604/298, 317, 329, 257, 260, 186, 207, 251, 403, 246, 322, 326; 137/588; 222/189, 207, 209, 105, 530, 465; 215/1 R, 31, 306, 365, 309; 220/375; D9/333, 446, 447, 353, 454, 435

[56]

References Cited

U.S. PATENT DOCUMENTS

D. 244,260	5/1977	Walker	D9/446
2,770,234	11/1956	Nesset et al.	604/246
2,958,439	11/1960	Yochem	220/375
3,266,491	8/1966	Koslow	D24/56
3,556,334	1/1971	Howard	215/31
4,175,558	11/1979	Hess, III et al.	604/246

Primary Examiner—A. Hugo Word

Attorney, Agent, or Firm—Roger A. Williams

[57]

CLAIM

The ornamental design for a wound drainage reservoir, as shown.

DESCRIPTION

FIG. 1 is a side elevational view of the wound drainage reservoir showing our new design; FIG. 2 is a bottom plan view thereof; FIG. 3 is a side elevational view thereof; FIG. 4 is a top plan view thereof; FIG. 5 is a left end side elevational view of FIG. 1; and FIG. 6 is a right end elevational view of FIG. 1.

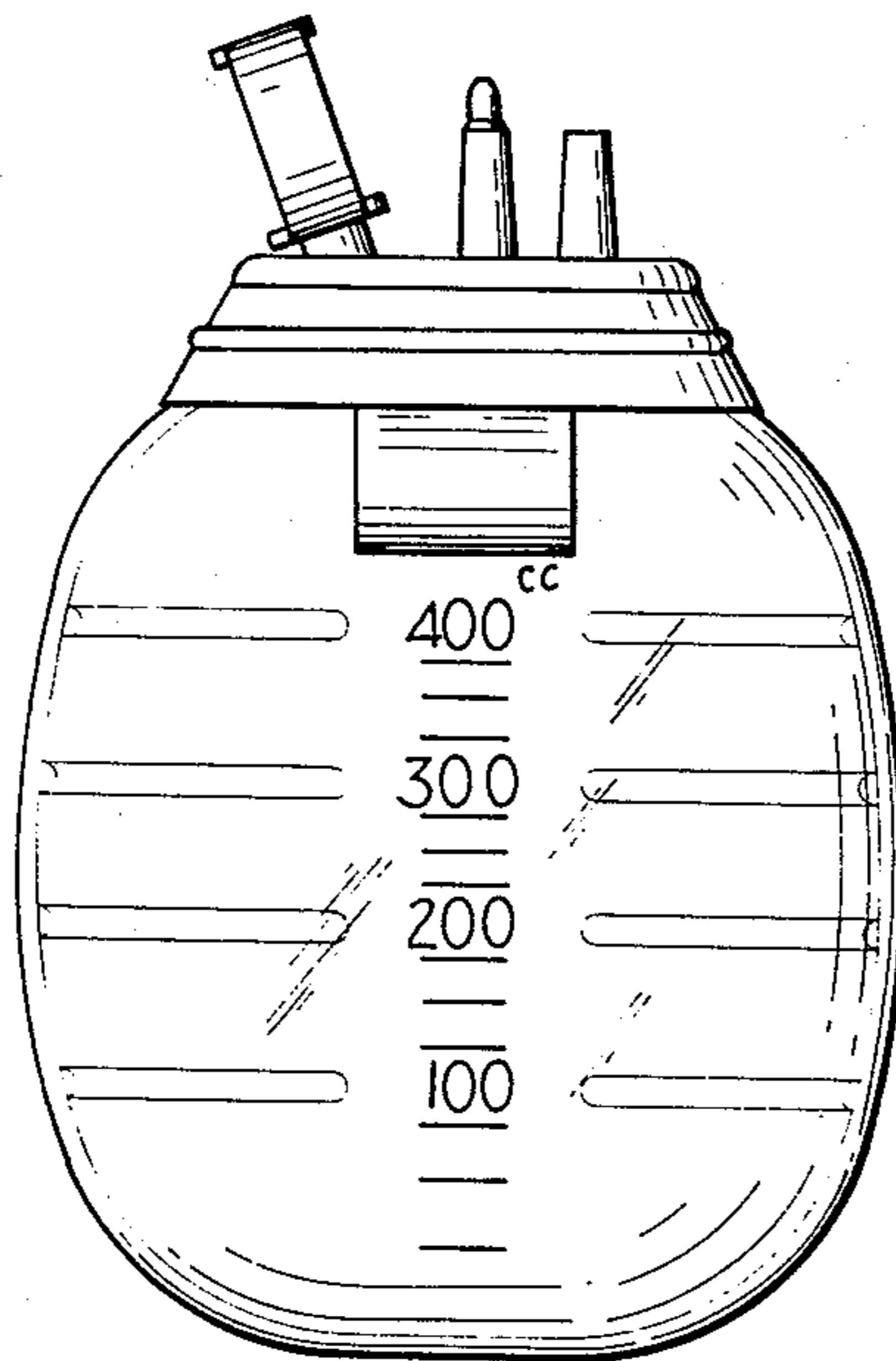


FIG. 1

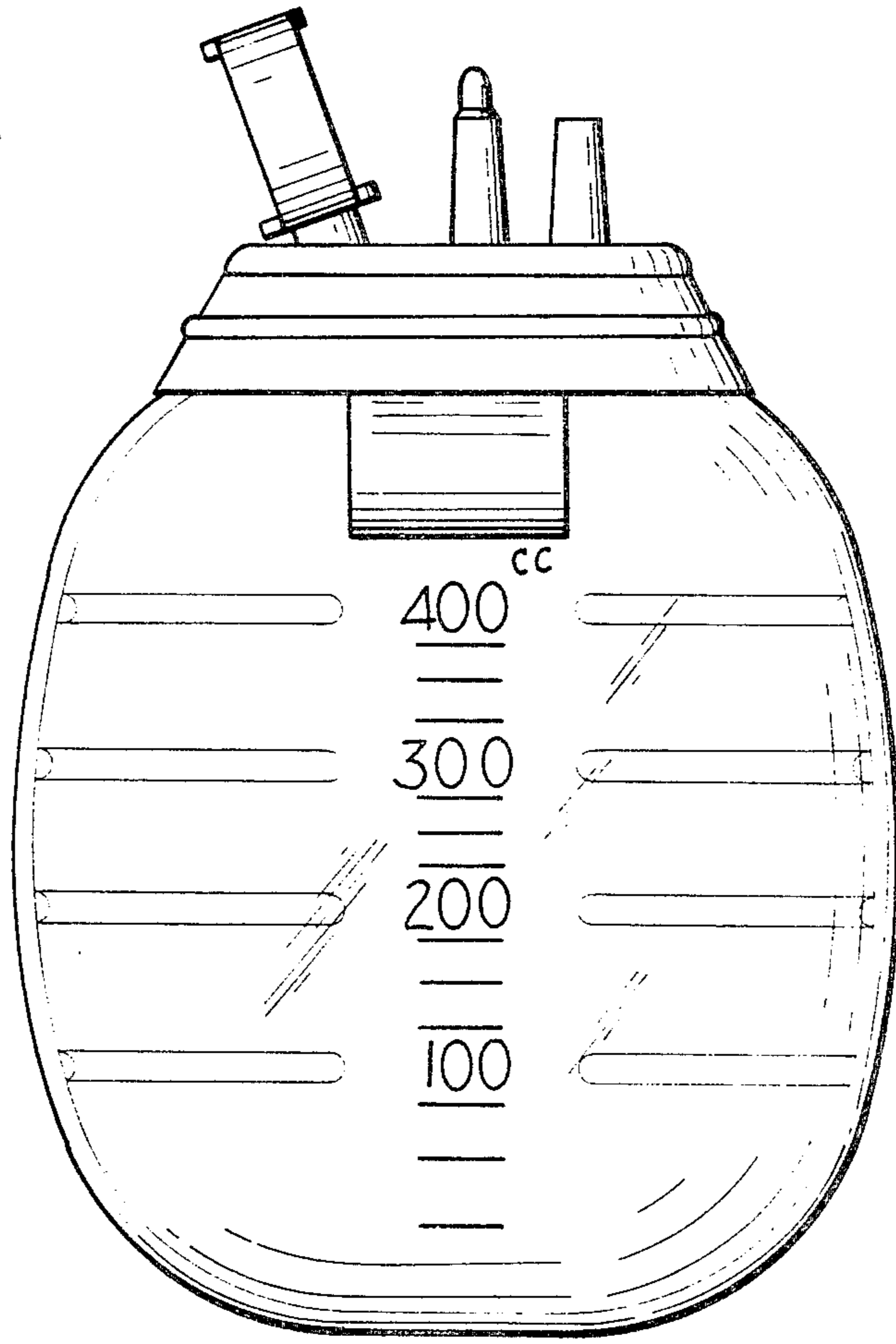


FIG. 2

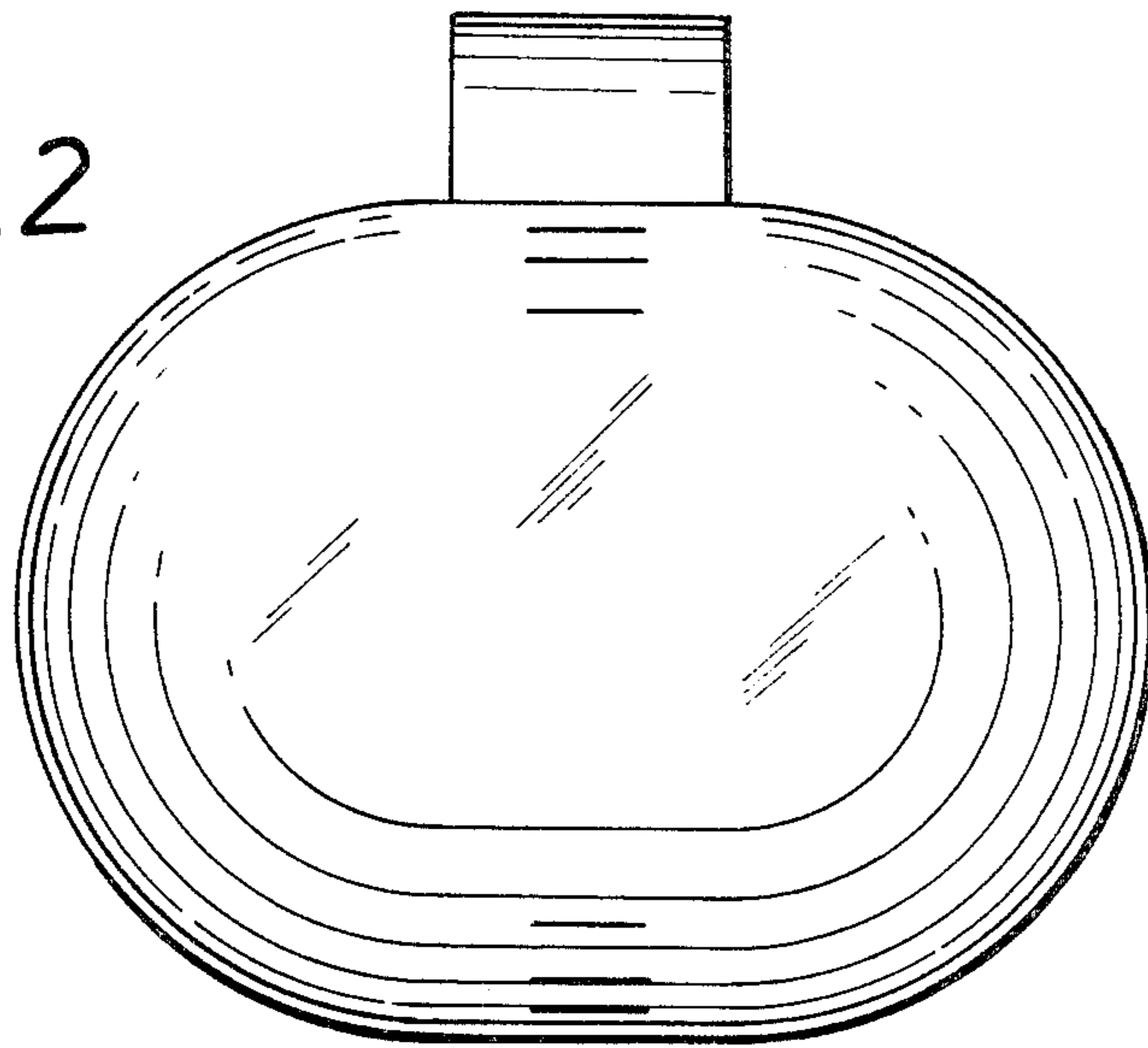


FIG. 3

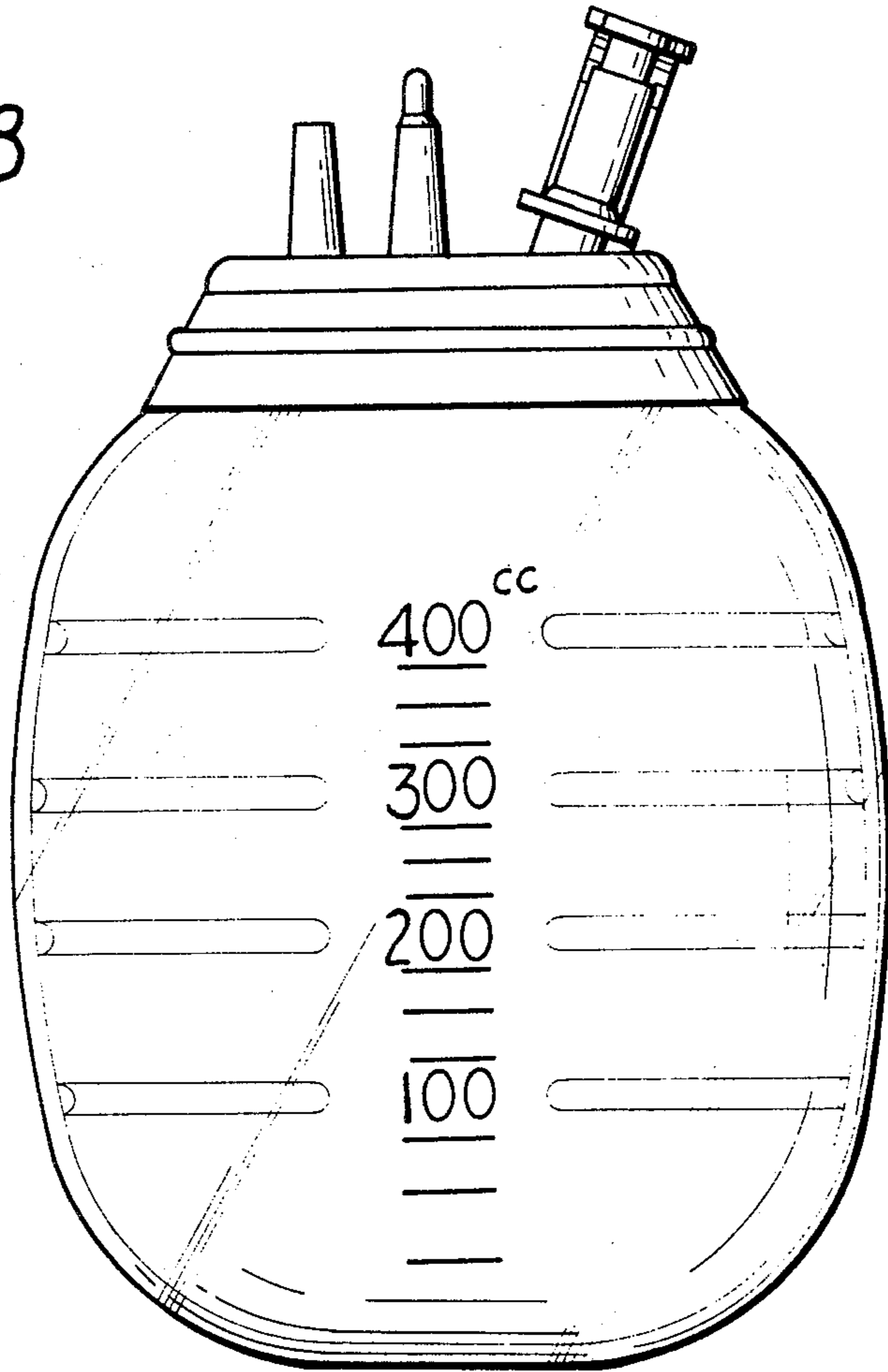


FIG. 4

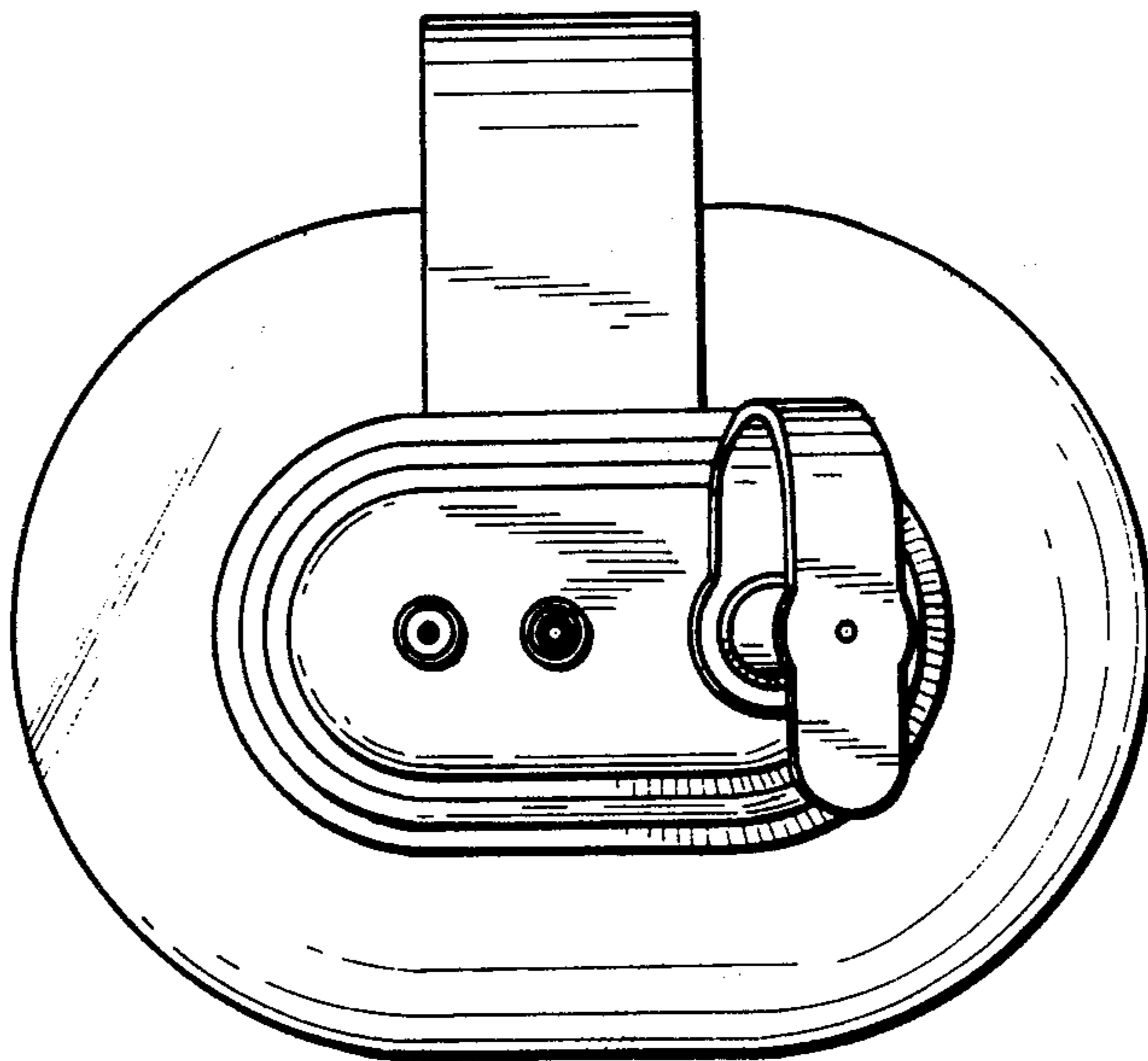


FIG. 5

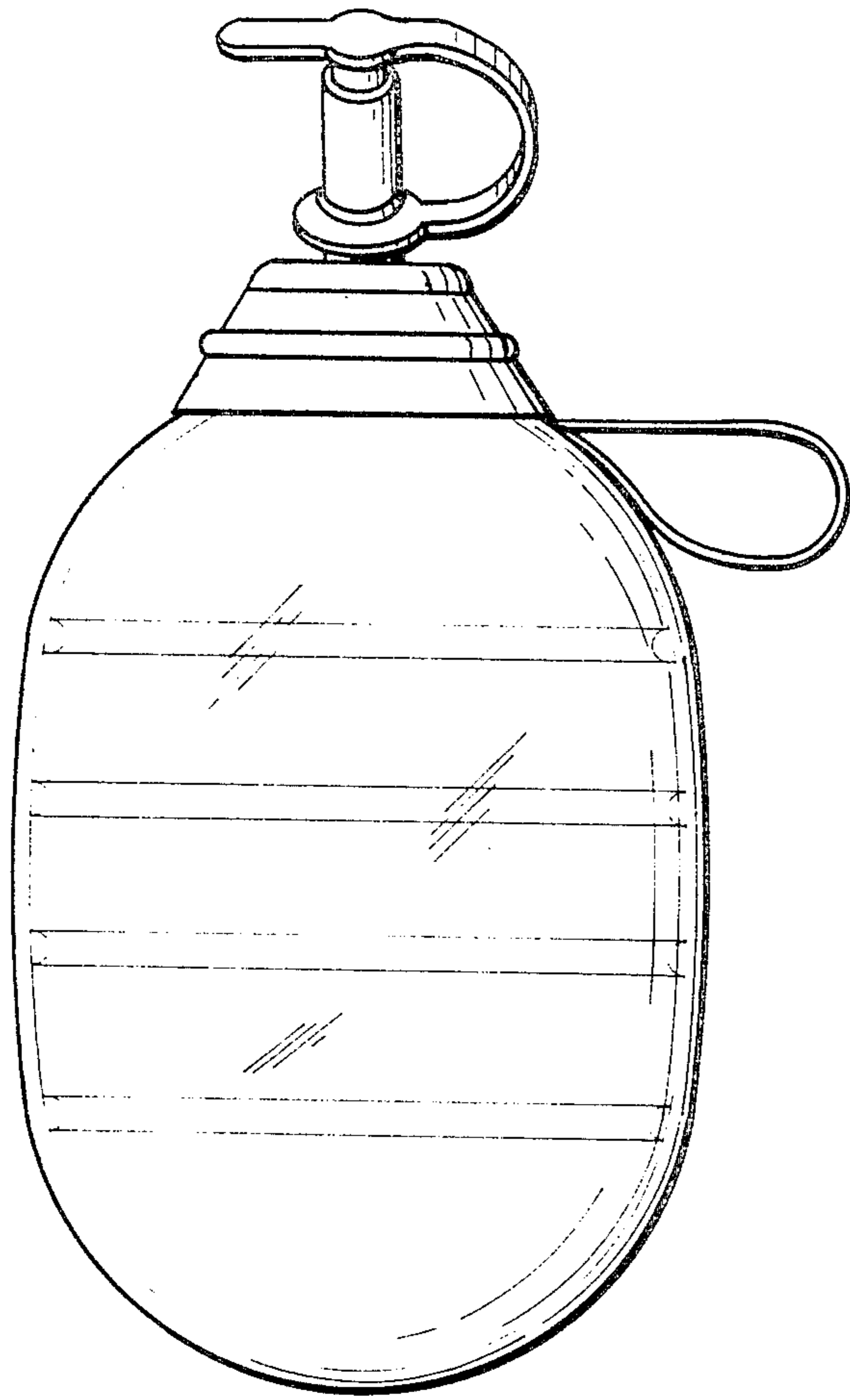


FIG. 6

