

[54] HEARING AID TRANSDUCER OR THE LIKE

4,407,389 10/1983 Johnson 179/107 E X

[75] Inventors: Philip S. Egan, Fairfax; Keld T. Helmuth, Novato; Richard G. Pimentel, San Rafael, all of Calif.; Tom B. Soerensen, Praestoe, Denmark

FOREIGN PATENT DOCUMENTS

135205 11/1978 Japan 179/107 R
2081052 2/1982 United Kingdom 179/107 E

[73] Assignee: Phonic Ear, Inc., Mill Valley, Calif.

Primary Examiner—Jane E. Corrigan
Attorney, Agent, or Firm—Flehr, Hohbach, Test, Albritton & Herbert

[**] Term: 14 Years

[57] CLAIM

[21] Appl. No.: 474,245

The ornamental design for a hearing aid transducer or the like, as shown and described.

[22] Filed: Mar. 10, 1983

DESCRIPTION

[52] U.S. Cl. D24/35; D14/12

[58] Field of Search D24/35; D14/12;
179/107 E, 107 R; 381/69

FIG. 1 is a front and bottom perspective view of a hearing aid transducer or the like showing my new design;

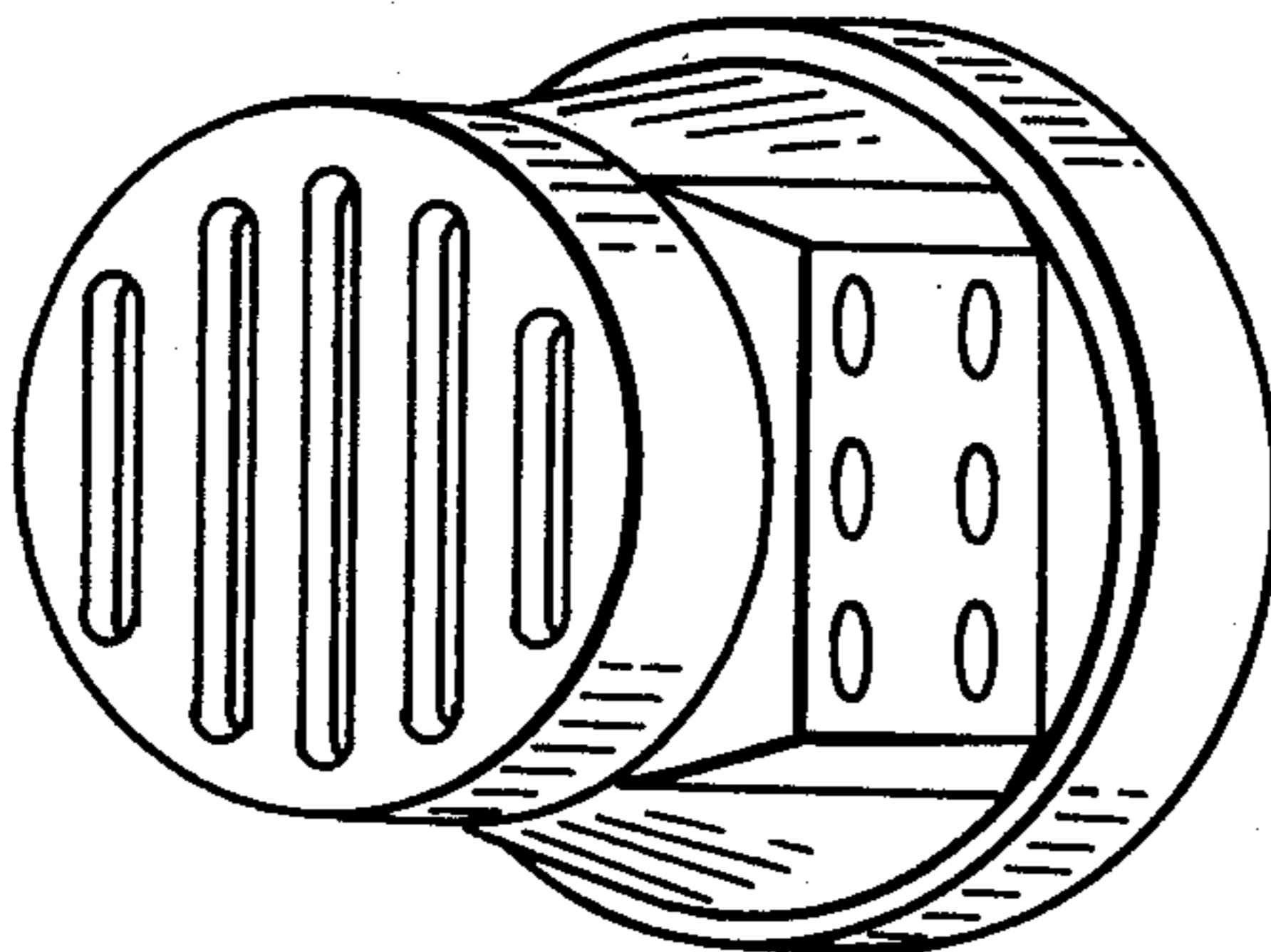
FIG. 2 is a left side elevational view with an electrical ear plug connection and an ear insert shown in broken lines for illustrative purposes only and forming no part of the claimed design; and

FIG. 3 is a top plan view.

[56] References Cited

U.S. PATENT DOCUMENTS

2,188,591 1/1940 Carlson 179/107 E
2,377,739 6/1945 Wyckoff 179/107 E X



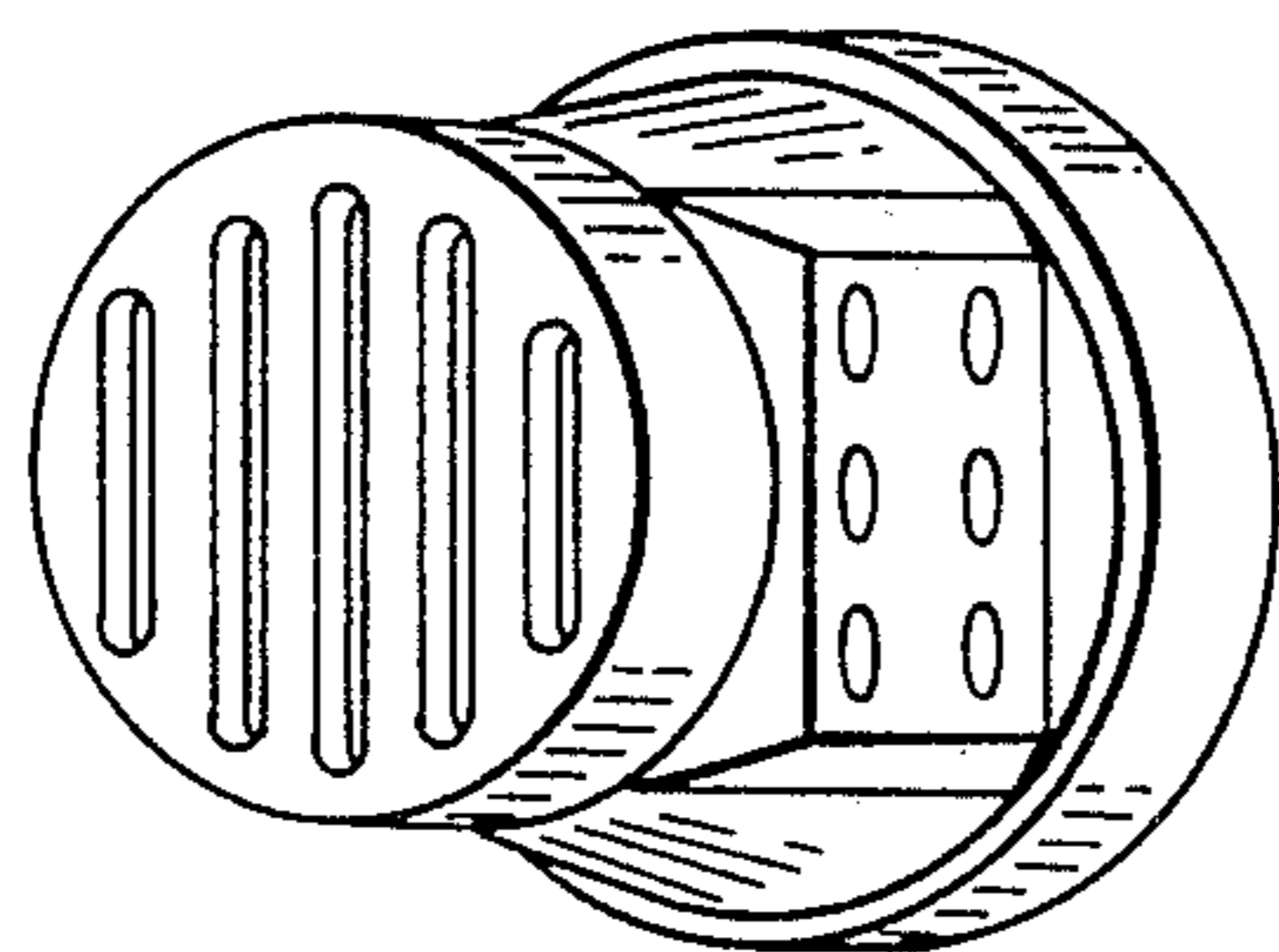


FIG.—1

FIG.—2

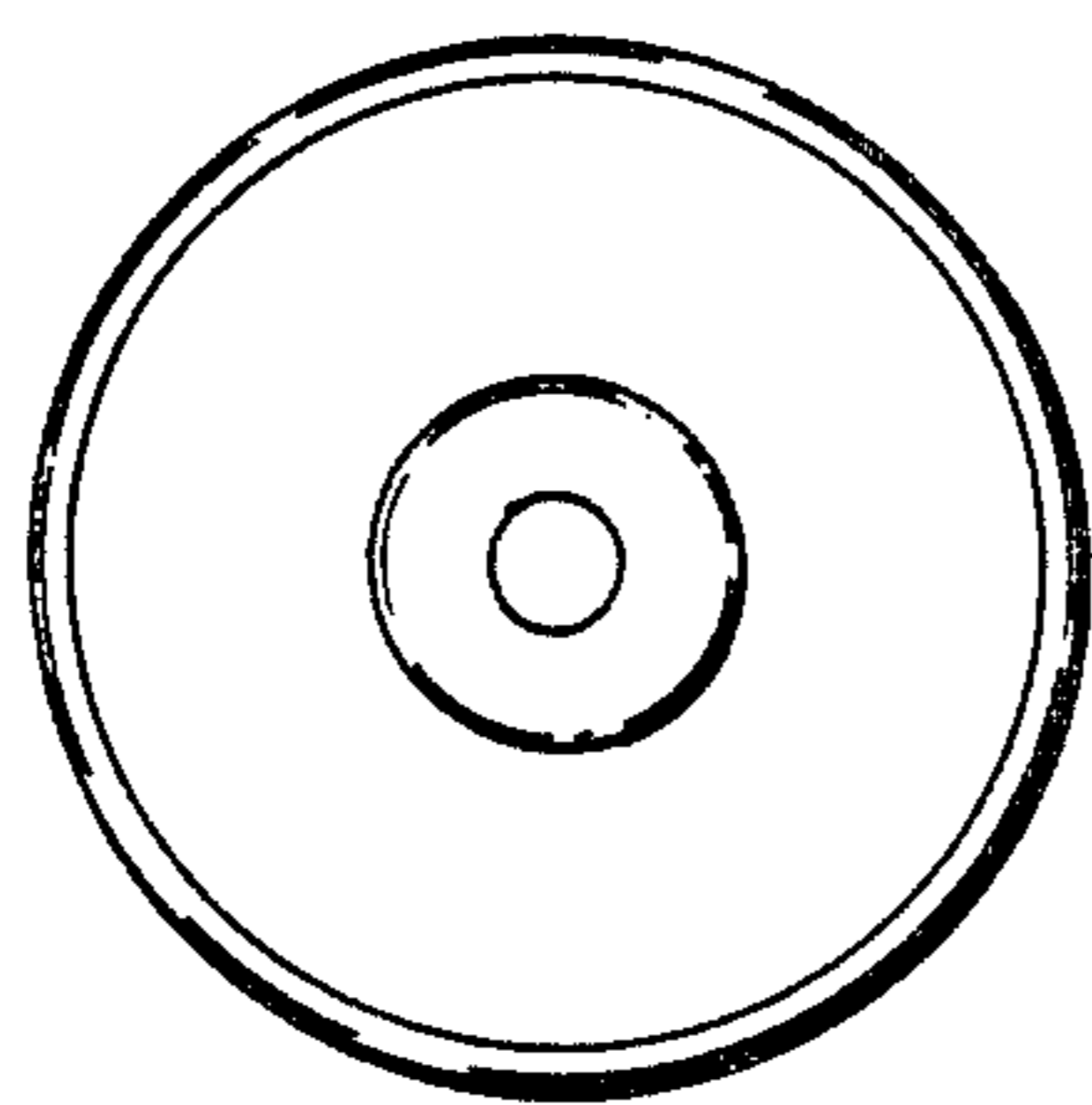
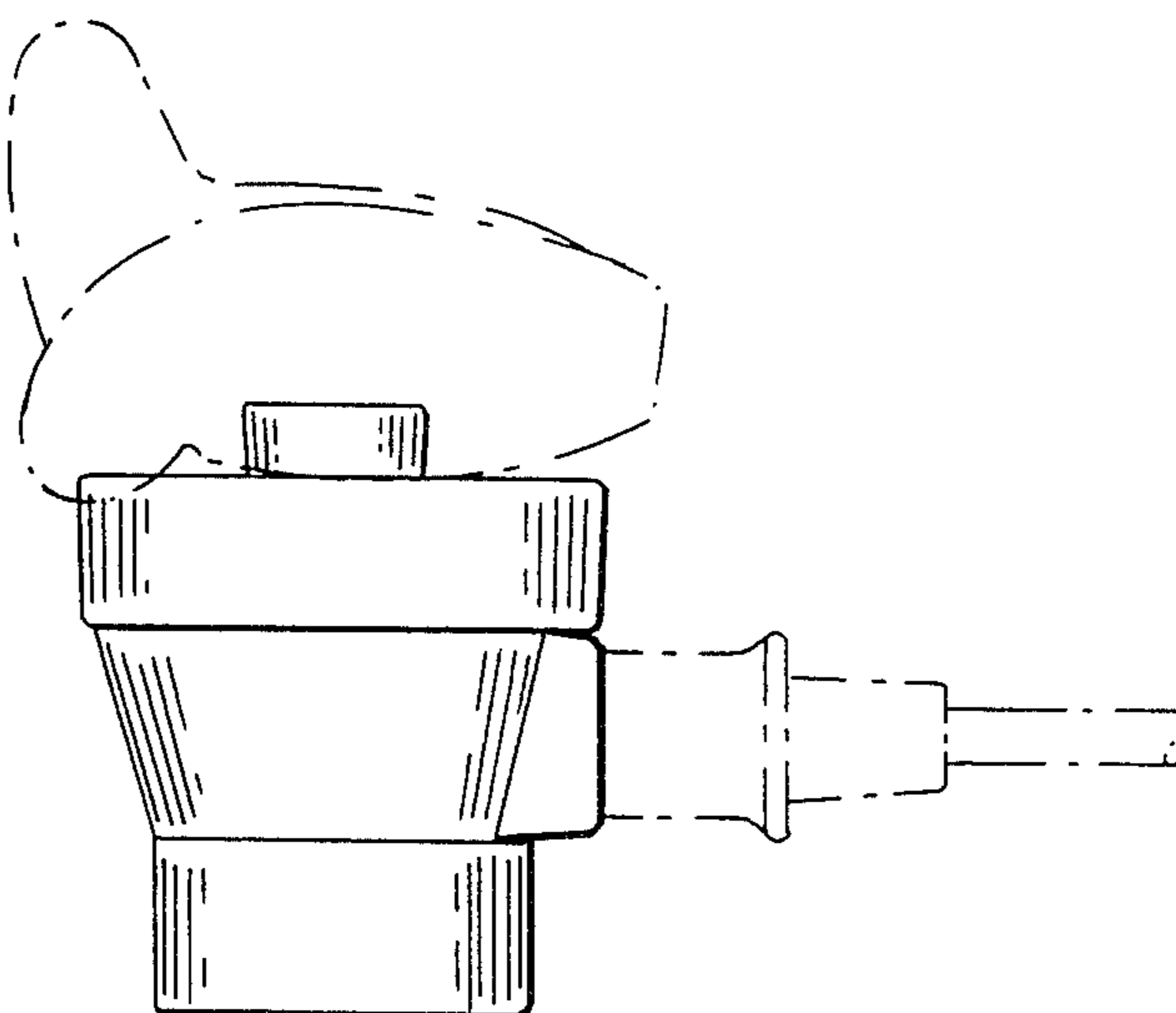


FIG.—3