

[54] BLOOD PRESSURE METER

[56] References Cited

[75] Inventor: Murray I. C. Camens, Groningen, Netherlands

U.S. PATENT DOCUMENTS

- D. 267,341 12/1982 Kern et al. D24/17 X
- D. 268,522 4/1983 Tamm D24/8 X
- D. 269,905 7/1983 Tamm D24/8 X

[73] Assignee: U.S. Philips Corporation, New York, N.Y.

Primary Examiner—Catherine E. Kemper
Attorney, Agent, or Firm—Rolf E. Schneider

[**] Term: 14 Years

[57] CLAIM

The ornamental design for a blood pressure meter, as shown.

[21] Appl. No.: 420,207

DESCRIPTION

[22] Filed: Sep. 20, 1982

FIG. 1 is a top, front, and right side perspective view of a blood pressure meter showing my new design;
 FIG. 2 is a top plan view thereof;
 FIG. 3 is a bottom plan view thereof;
 FIG. 4 is a rear elevational view thereof;
 FIG. 5 is a front elevational view thereof;
 FIG. 6 is a right side elevational view thereof; and
 FIG. 7 is a left side elevational view thereof.

[30] Foreign Application Priority Data

- Mar. 24, 1982 [JP] Japan 12.173
- [52] U.S. Cl. D24/17
- [58] Field of Search D24/21, 17, 8; 73/748, 73/749, 731, 389; 128/677, 678, 686

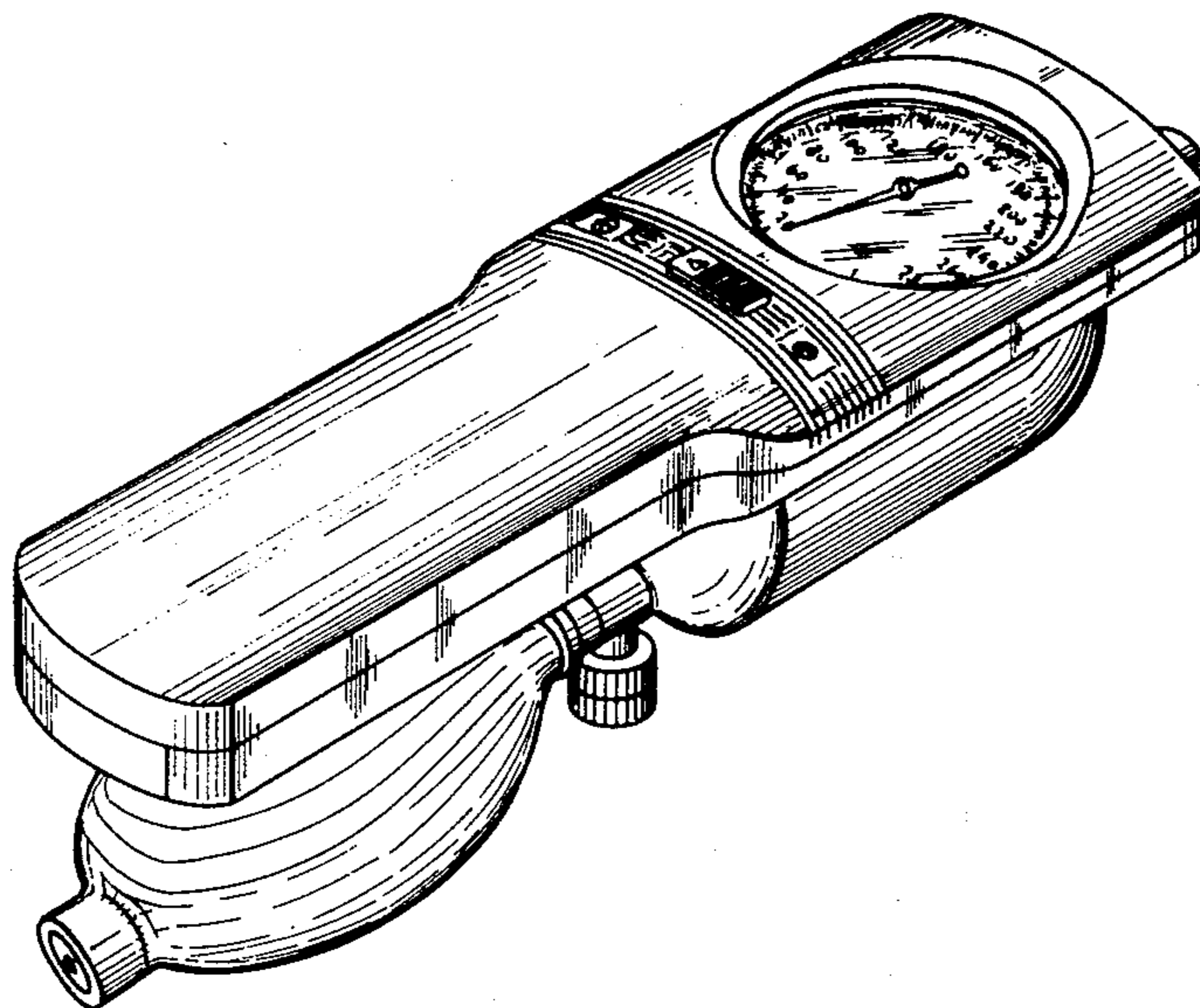


FIG. 1.

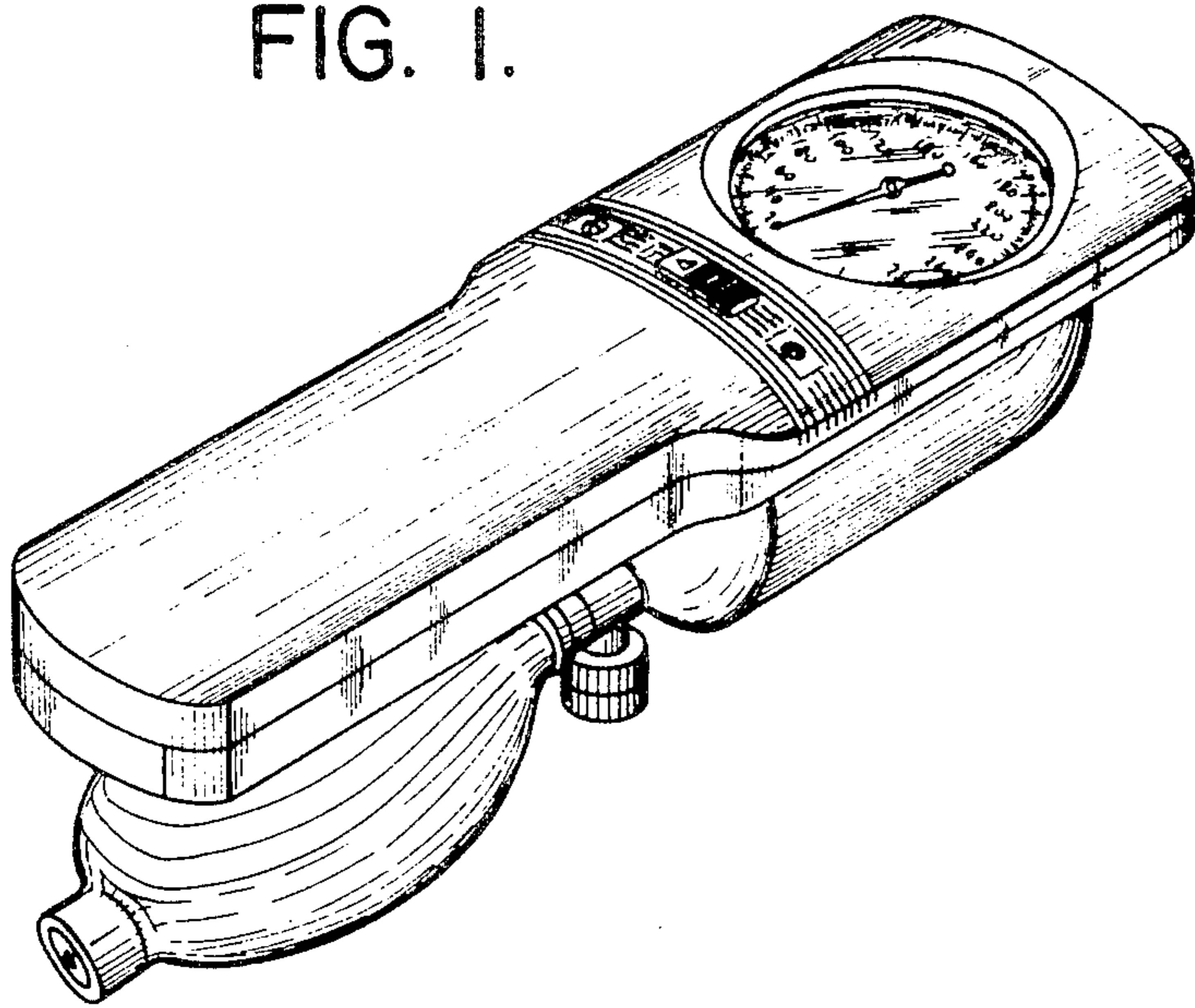


FIG. 2.

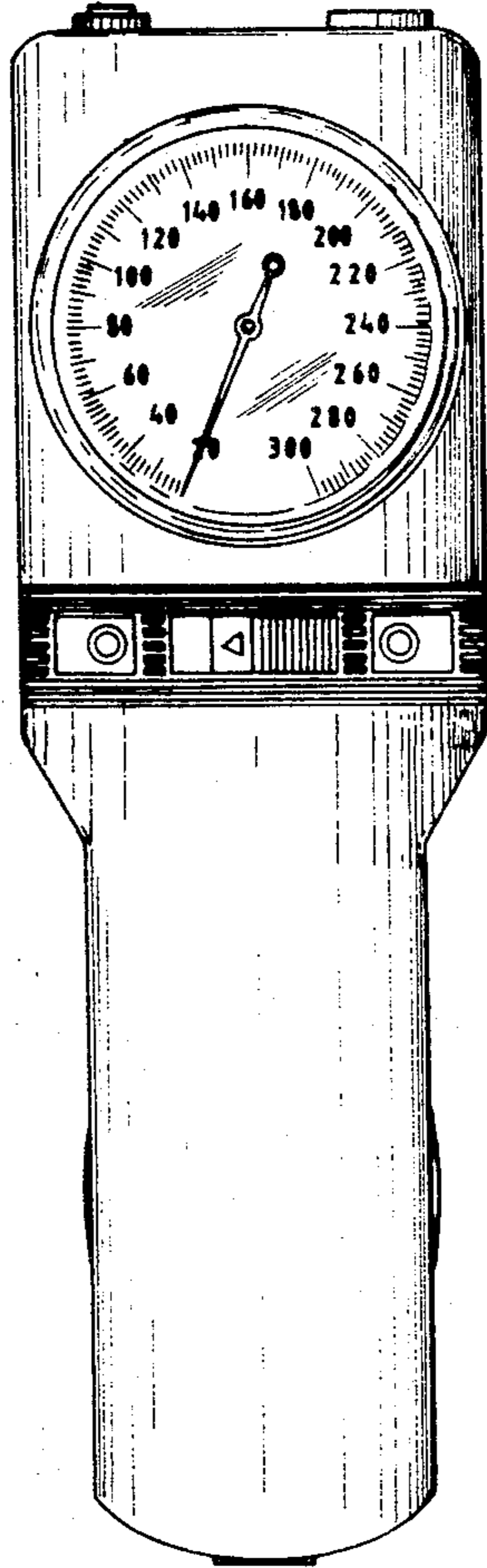


FIG. 3.

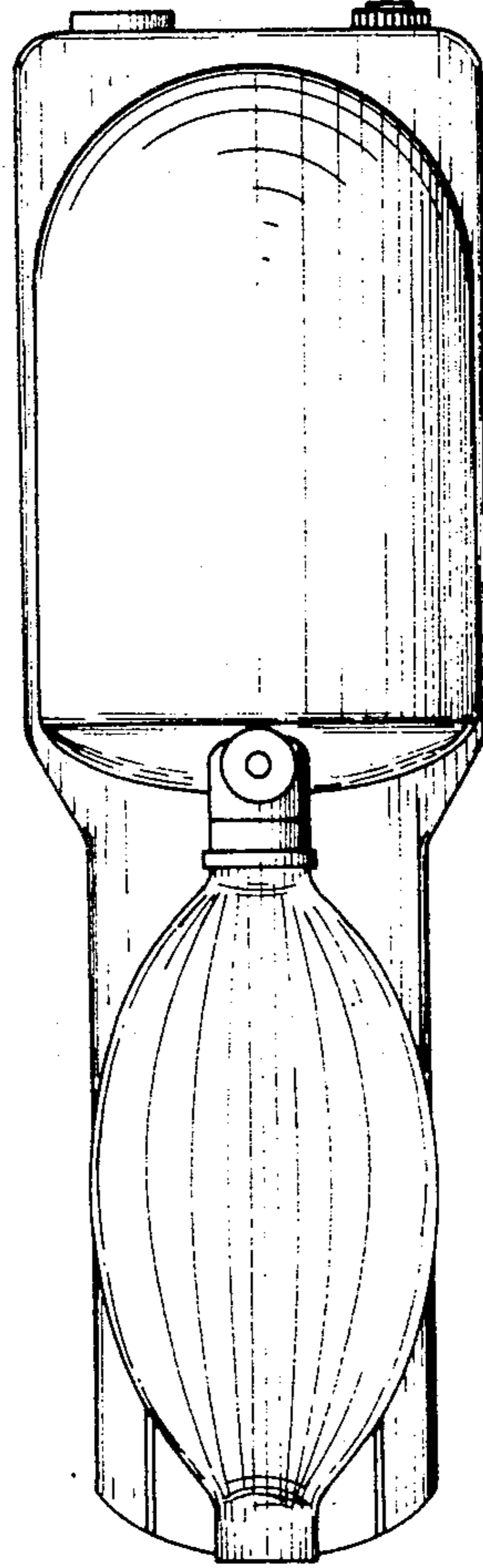


FIG. 4.

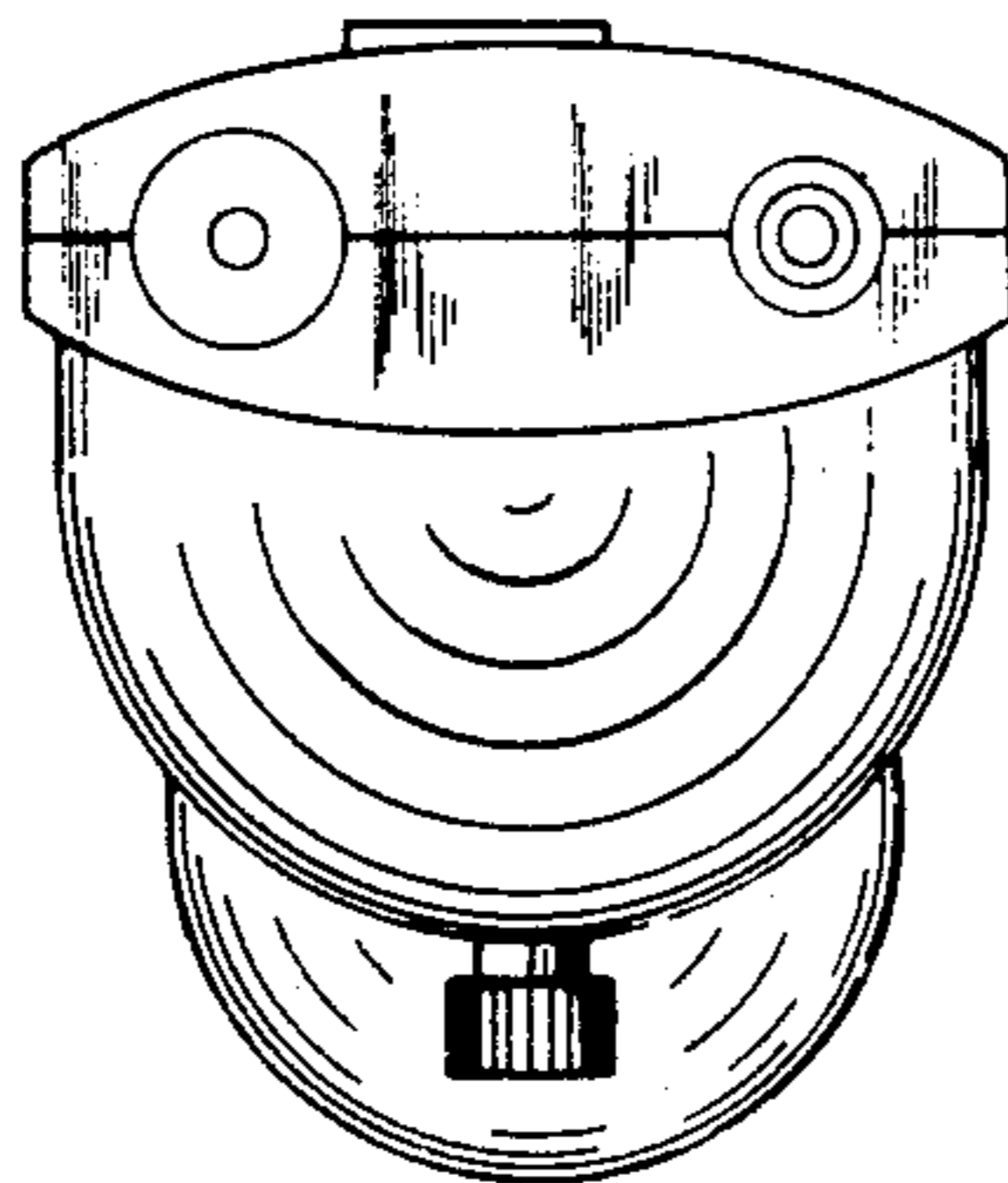


FIG. 5.

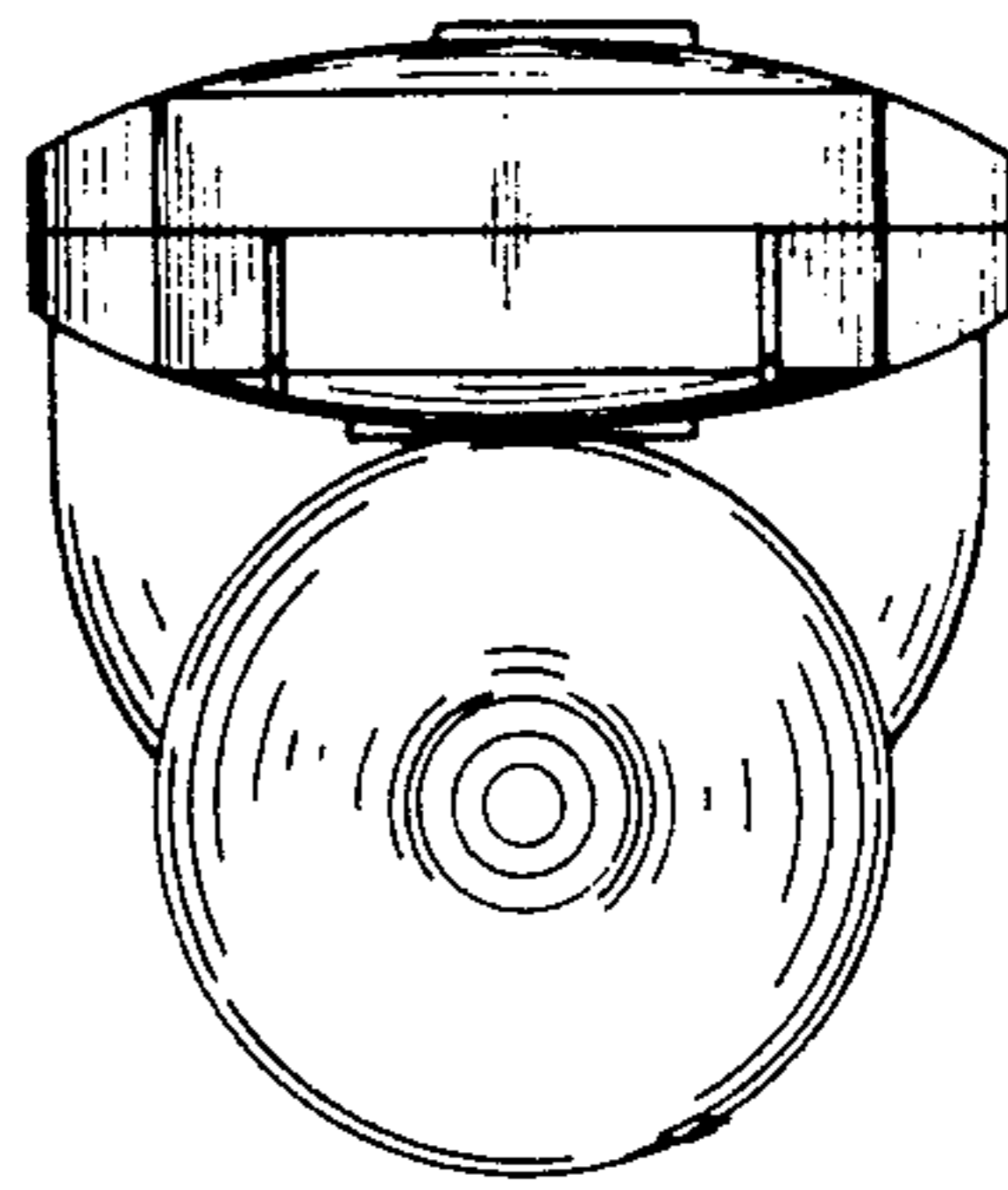


FIG. 6.

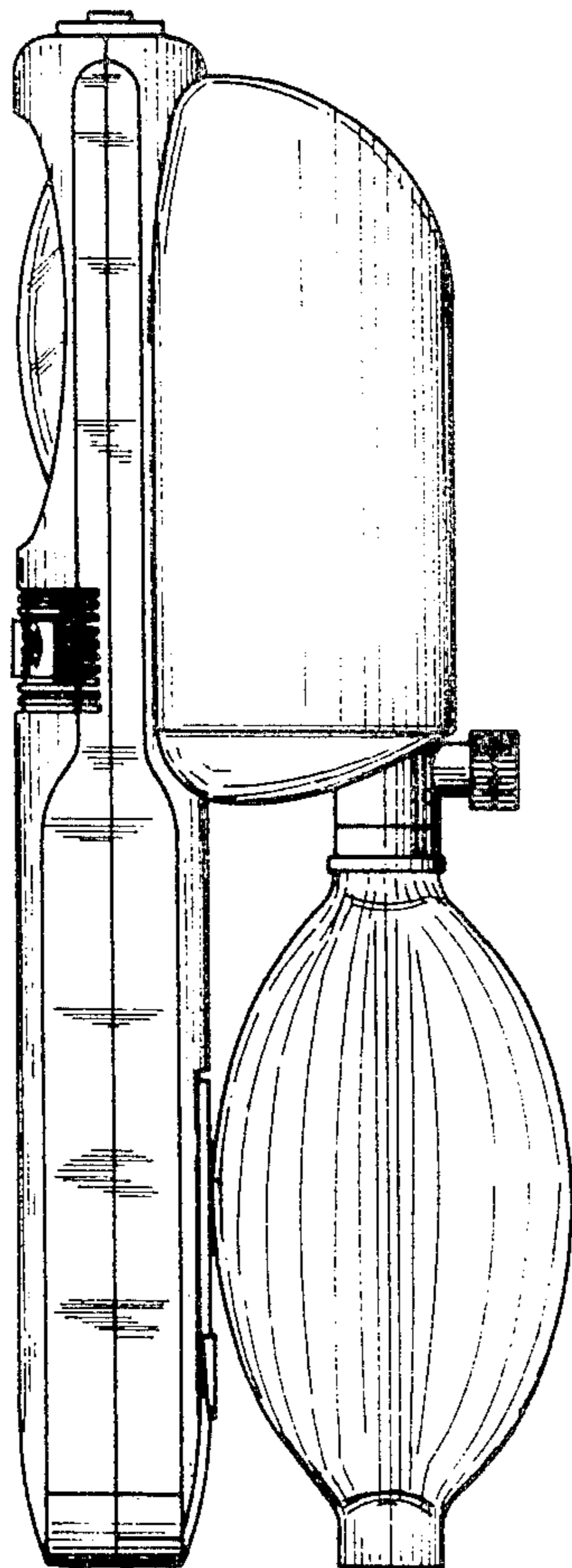


FIG. 7.

