

[54] **DENTAL WORK CASE**

[76] **Inventor: Armen G. Sarajian, 1624 Ridgeway Dr., Glendale, Calif. 91202**

[**] **Term: 14 Years**

[21] **Appl. No.: 365,627**

[22] **Filed: Apr. 5, 1982**

[52] **U.S. Cl. D24/10; D3/78**

[58] **Field of Search D24/10, 16; D3/30, 33, D3/35, 39, 76, 78, 74; 206/570, 368, 369; D9/424, 426, 432, 430**

[56] **References Cited**

U.S. PATENT DOCUMENTS

- D. 195,159 5/1962 Sutton D3/76
- D. 230,779 4/1972 Kryter D3/35
- D. 257,080 6/1978 Schmidt D3/35

- D. 257,790 6/1978 Kesling D24/10
- 2,733,830 3/1953 Ruskin D9/424

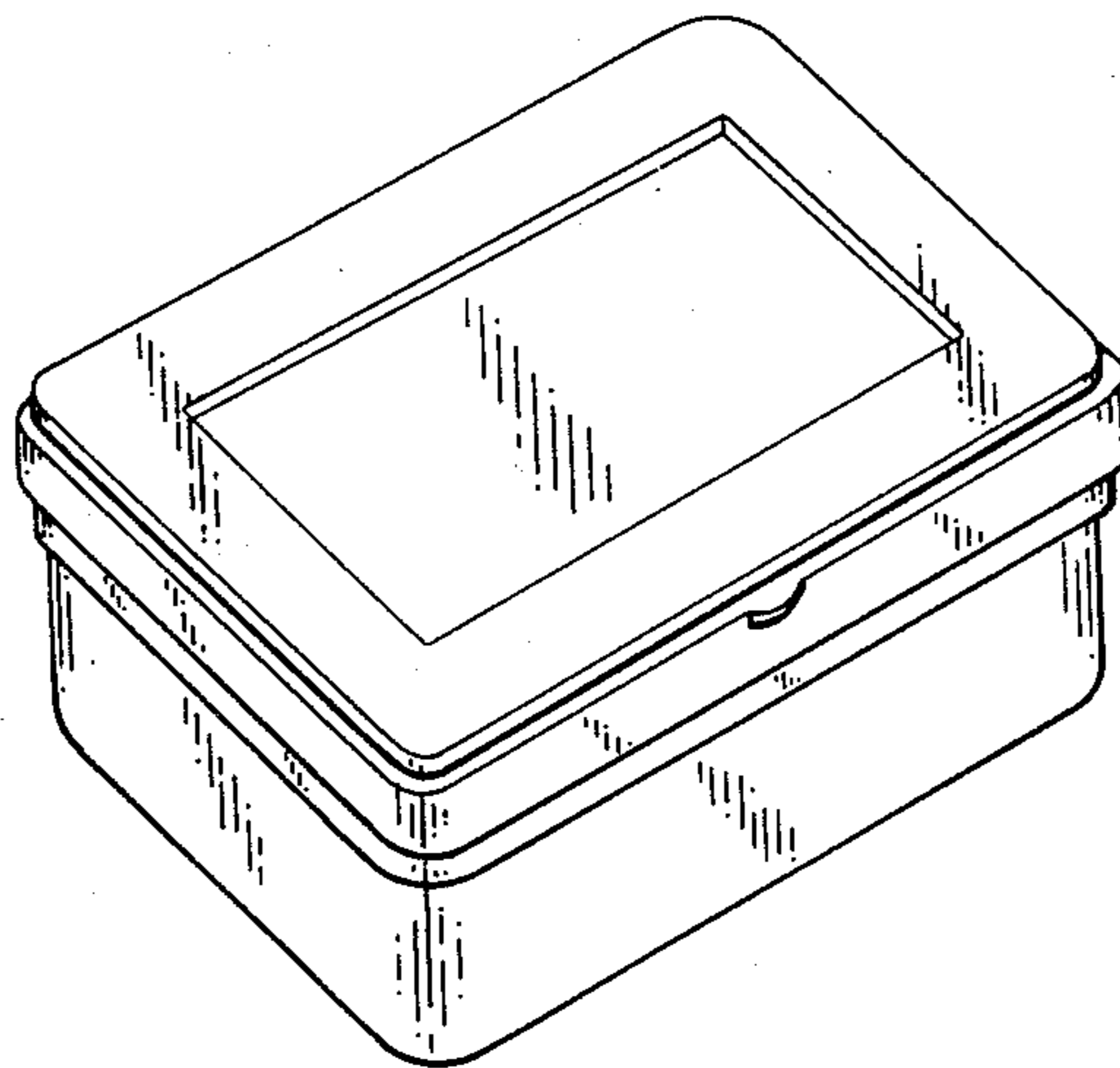
Primary Examiner—A. Hugo Word
Assistant Examiner—R. C. Anderson
Attorney, Agent, or Firm—John E. Wagner

[57] **CLAIM**

The ornamental design for a dental work case, as shown and described.

DESCRIPTION

FIG. 1 is a perspective view of a dental work case embodying this invention;
FIG. 2 is a front elevational view thereof;
FIG. 3 is a side elevational view thereof;
FIG. 4 is a rear elevational view thereof;
FIG. 5 is a top plan view thereof; and
FIG. 6 is a bottom plan view.



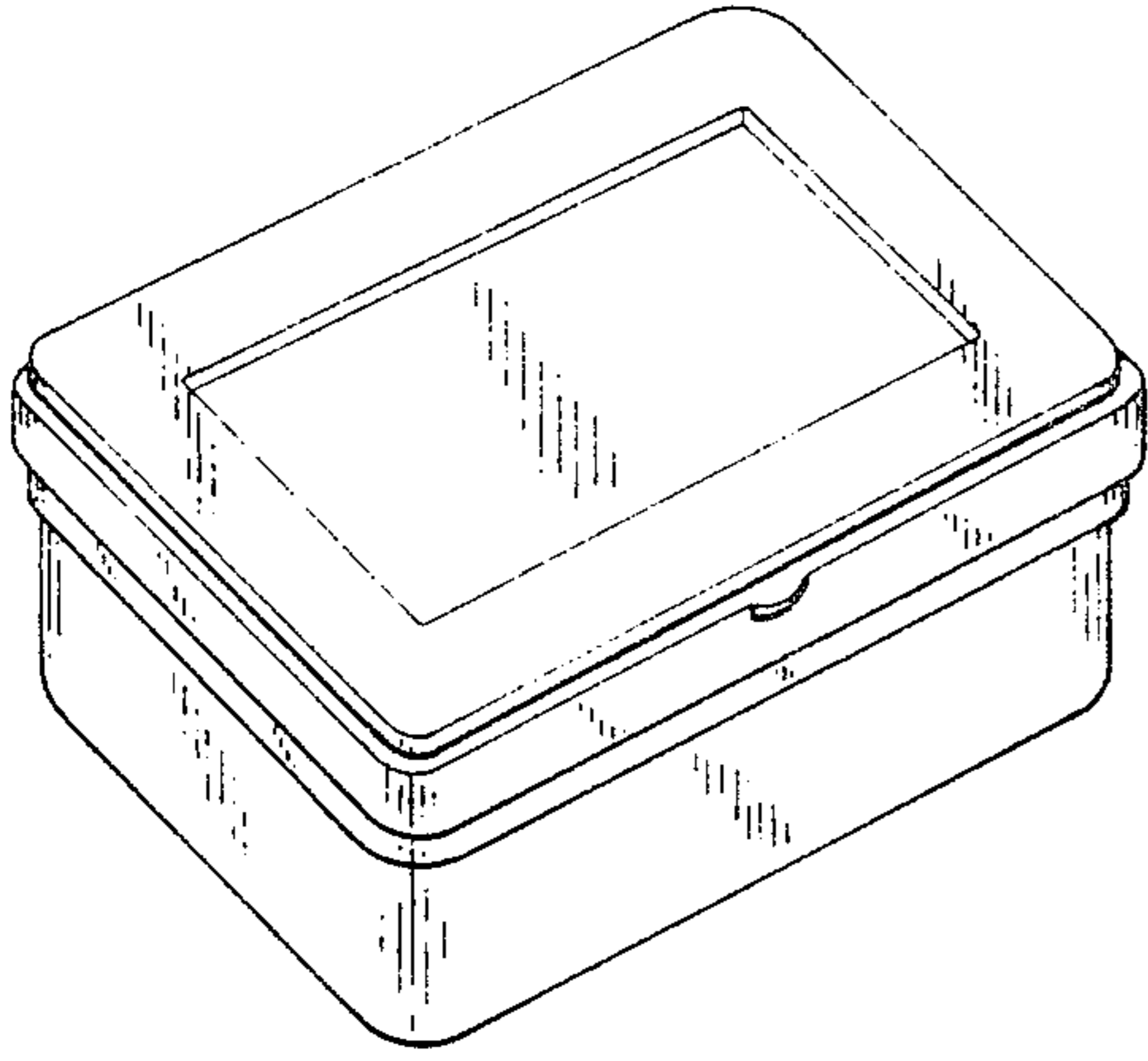


Fig. 1

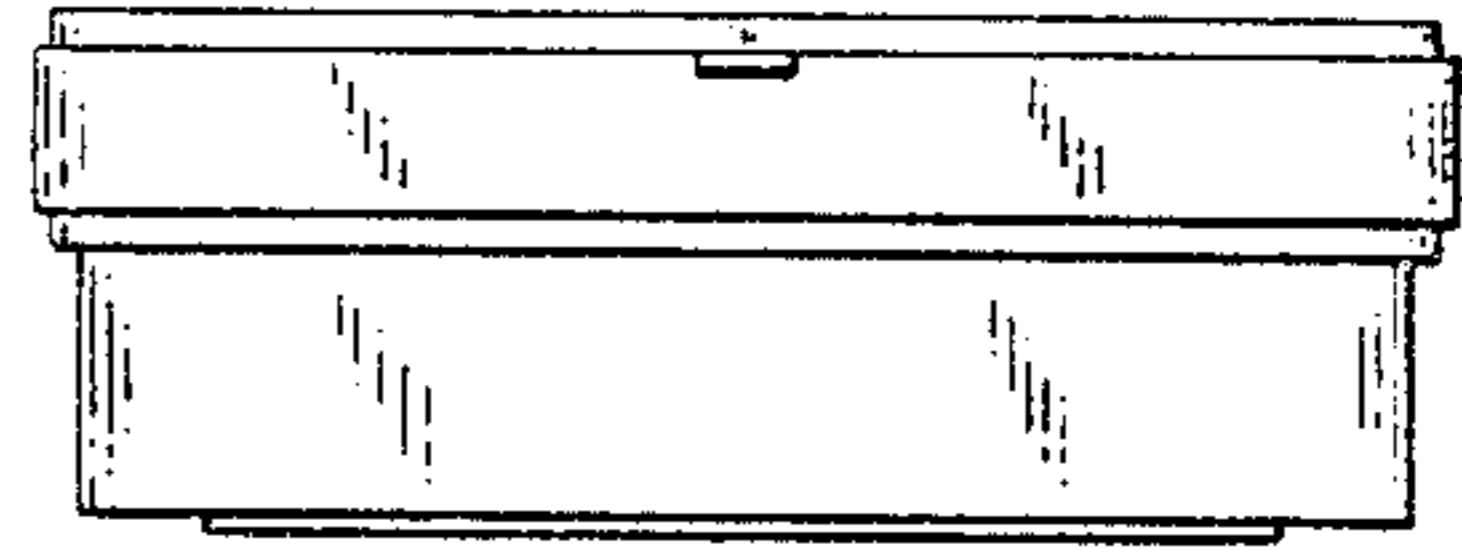


Fig. 2

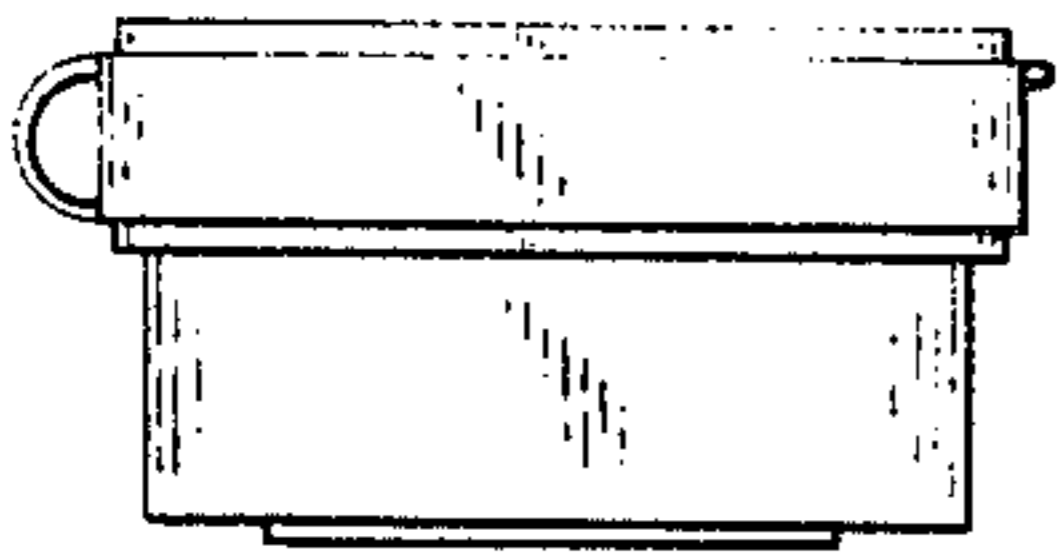


Fig. 3

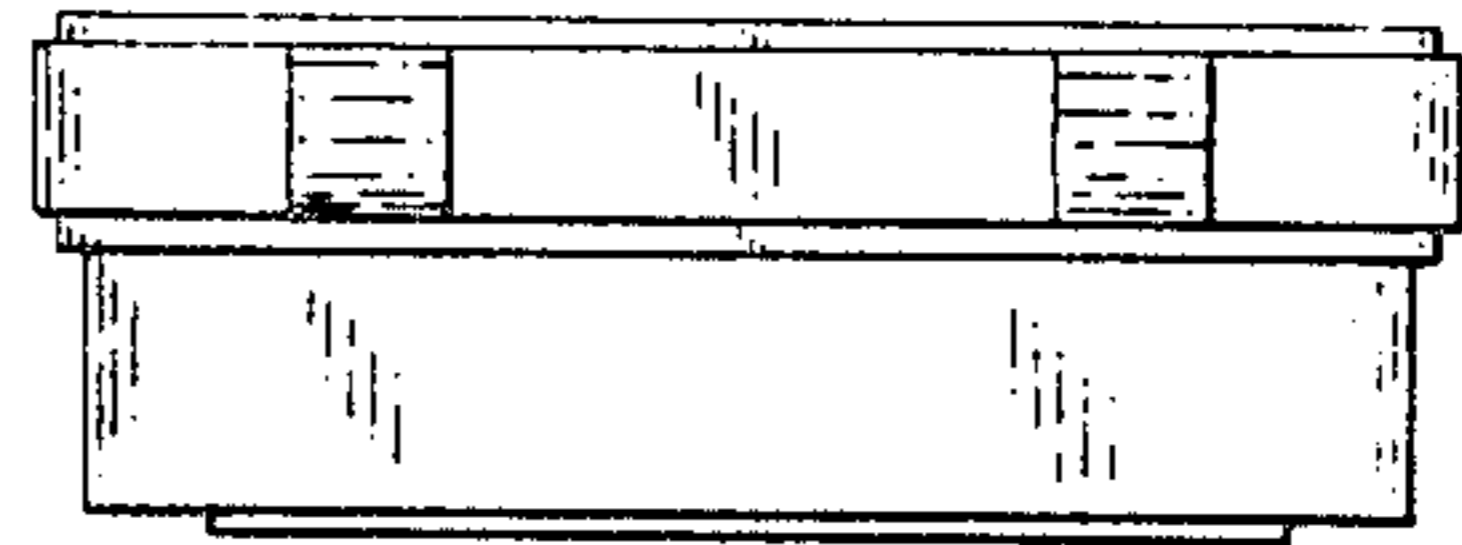


Fig. 4

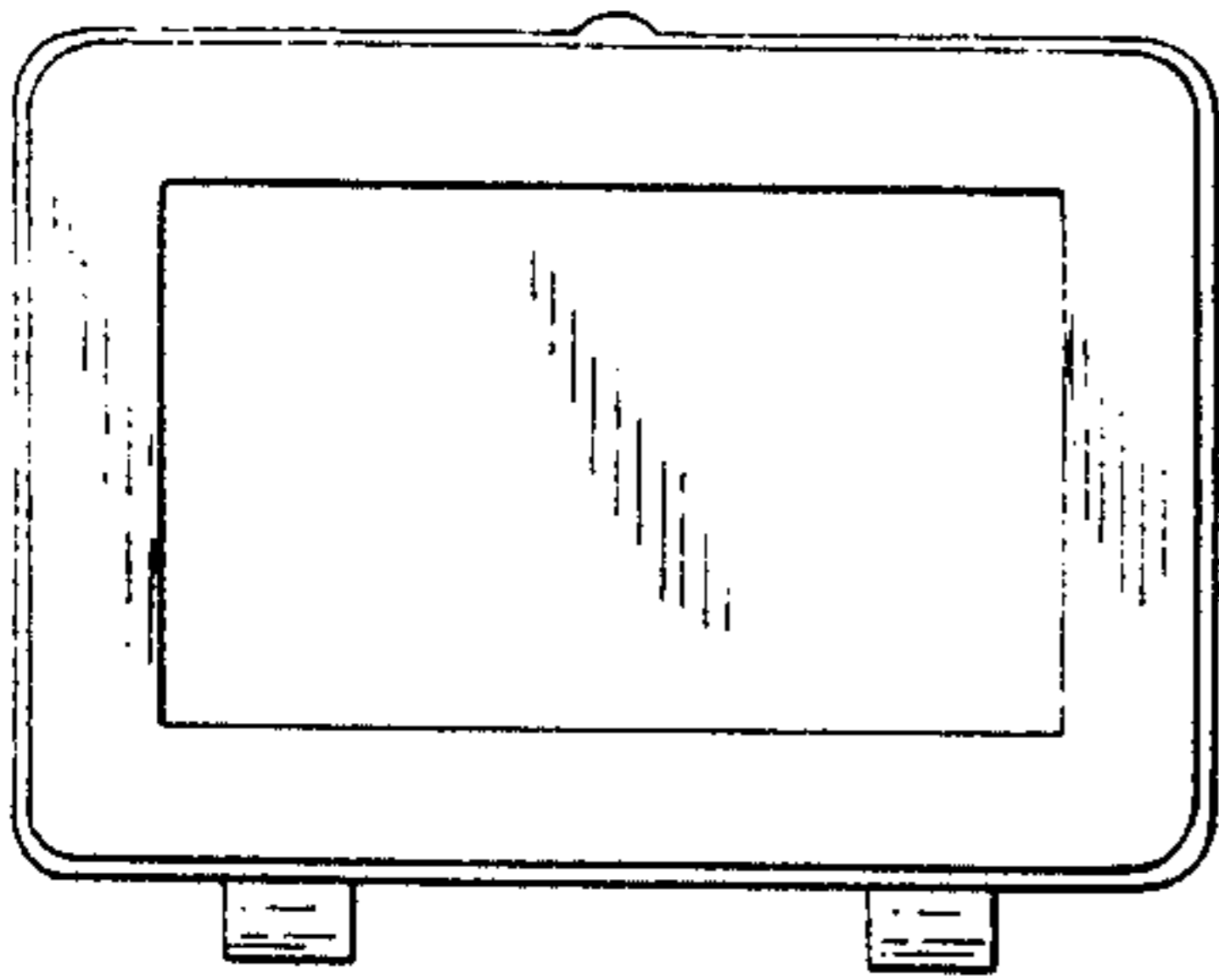


Fig. 5

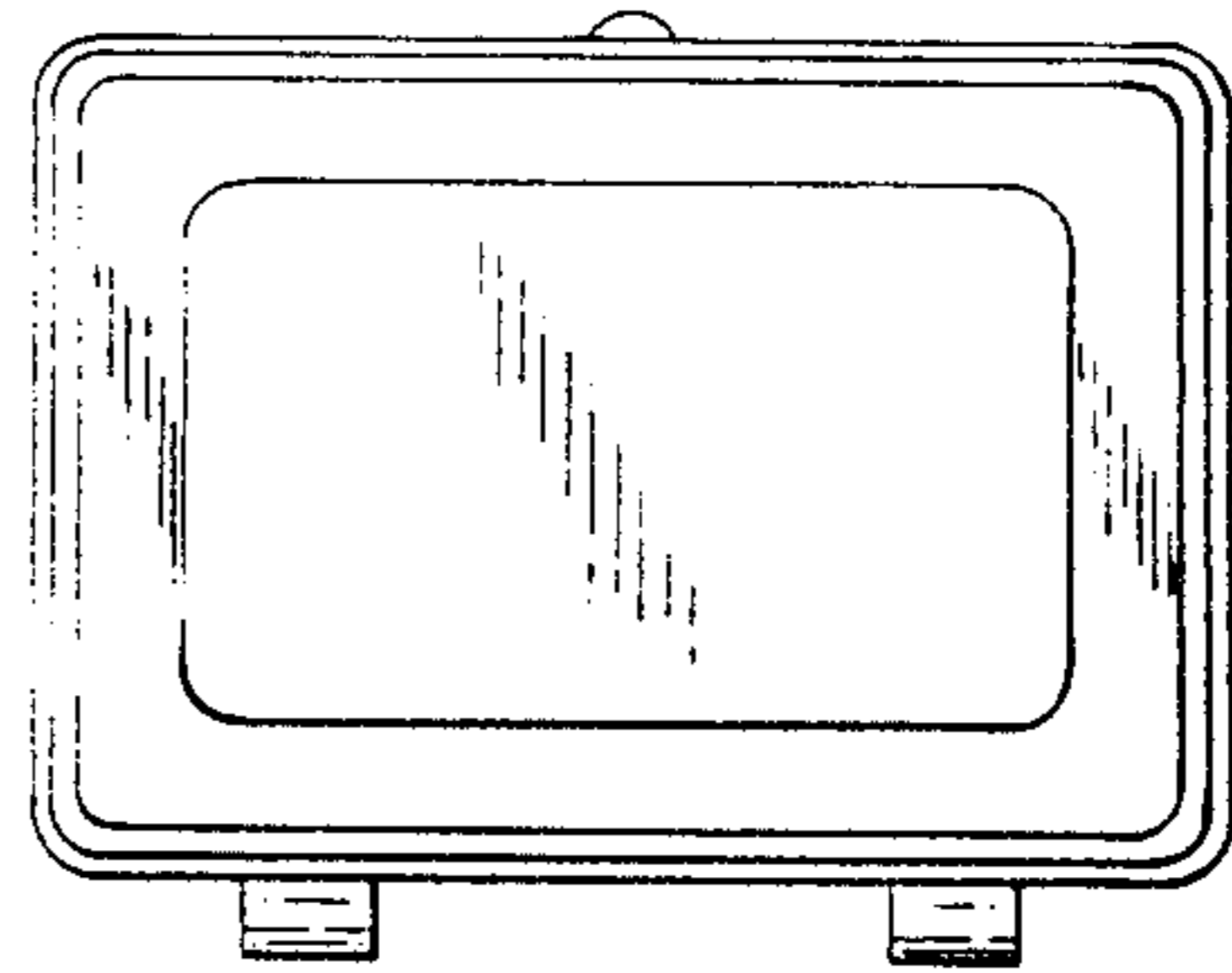


Fig. 6